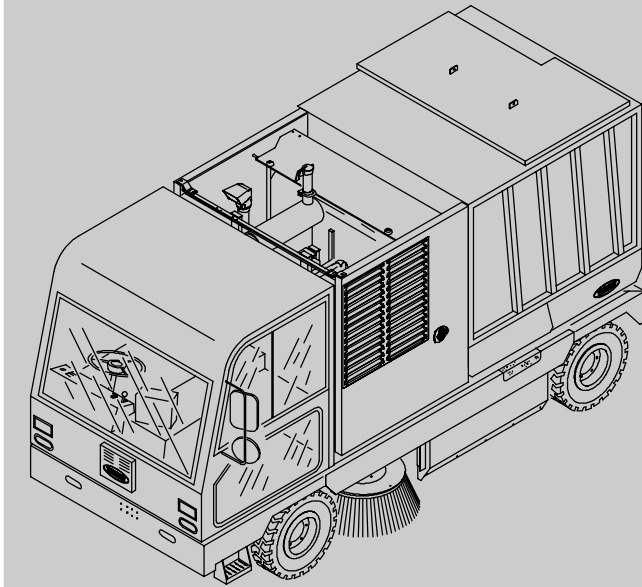




# SENTINEL<sup>®</sup>

## Sweeper Parts Manual



**North America / International**

[www.tennantco.com](http://www.tennantco.com)

**331000**  
**Rev. 05 (09-2008)**



When ordering replacement parts, use the illustrated parts list section in this manual. Before ordering parts or supplies, be sure to have your machine model number and serial number available. Only use TENNANT Company supplied or equivalent parts. Parts and supplies may be ordered online, by phone, or mail from any authorized parts and service center, distributor or from any of the manufacturer's subsidiaries.

This machine will provide excellent service. However, the best results will be obtained at minimum costs if:

- The machine is operated with reasonable care.
- The machine is maintained regularly - per the machine maintenance instructions provided.
- The machine is maintained with manufacturer supplied or equivalent parts.

#### **MACHINE DATA**

Please fill out at time of installation for future reference.

Model No. - \_\_\_\_\_

Serial No. - \_\_\_\_\_

Machine Options - \_\_\_\_\_

Sales Rep. - \_\_\_\_\_

Sales Rep. phone no. - \_\_\_\_\_

Customer Number - \_\_\_\_\_

Installation Date - \_\_\_\_\_

#### **Tennant Company**

PO Box 1452

Minneapolis, MN 55440

Phone: (800) 553-8033 or (763) 513-2850

[www.tennantco.com](http://www.tennantco.com)

Thermo-Sentry, Total View and Vario Sweeping Brush are US registered and unregistered trademarks of Tennant Company.

Specifications and parts are subject to change without notice.

Original instructions, Copyright © 2003, 2005-2006, 2007, 2008 TENNANT Company, Printed in U.S.A.

## HOW TO USE THIS MANUAL

This section on *HOW TO USE THIS MANUAL* will tell you how to:

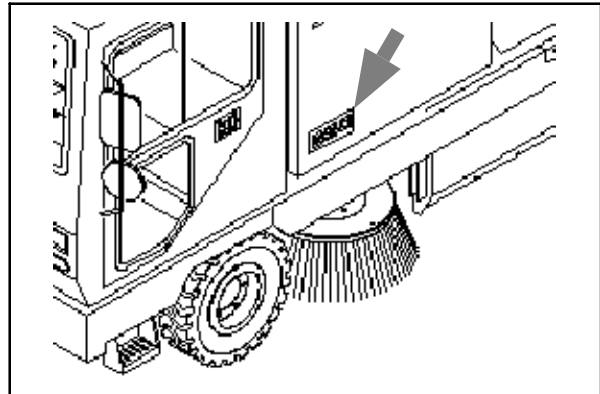
- Find important machine information for ordering correct repair parts.
- Find TENNANT part numbers.
- Order TENNANT parts and supplies.

### IMPORTANT INFORMATION

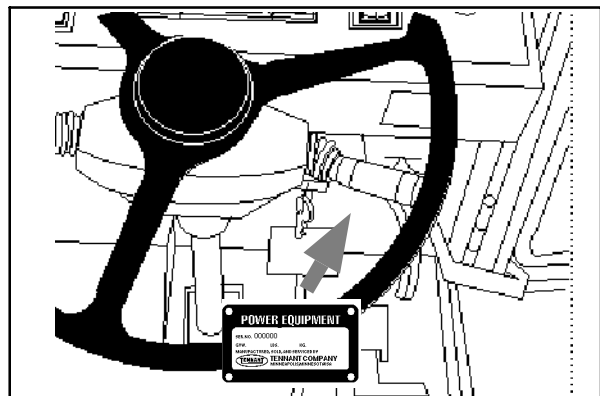
When placing an order for parts, the machine model and machine serial number are important. Refer to the *MACHINE DATA* box which is filled out during the installation of your machine. The *MACHINE DATA* box is located on the inside of the front cover of this manual.

MACHINE DATA	
<i>Please fill out at time of installation for future reference.</i>	
Machine Model Number -	830-II
Machine Serial Number -	_____
Machine Options -	_____
TENNANT Representative/phone no. -	_____
Customer ID Number -	_____
Date of Installation -	_____
Manual Number -	330430
Revision:	00
Published:	6-98

The model number of your machine is on the side of the machine.



The serial number of your machine is printed on the machine data plate located as shown.



# HOW TO USE THIS MANUAL

## FINDING A TENNANT PART NUMBER

This manual contains the following sections:

- HOW TO USE THIS MANUAL
- STANDARD PARTS
- OPTIONS
- BREAKDOWNS
- ENGINE BREAKDOWNS
- CROSS REFERENCE

The STANDARD PARTS section lists repair parts for standard machines. They are grouped in this general order:

- General wear parts.
- Machine frame and related parts.
- Machine propelling system.
- Scrubbing components.
- Electrical parts.

The OPTION section lists repair parts of options.

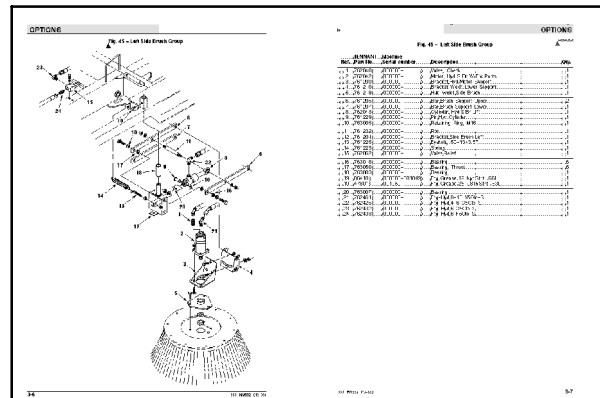
The BREAKDOWN section lists available repair parts of major components.

All sections in this manual consist of parts illustrations and corresponding parts lists.

The parts illustrations are numbered with **Ref** numbers which refer to corresponding parts lists.

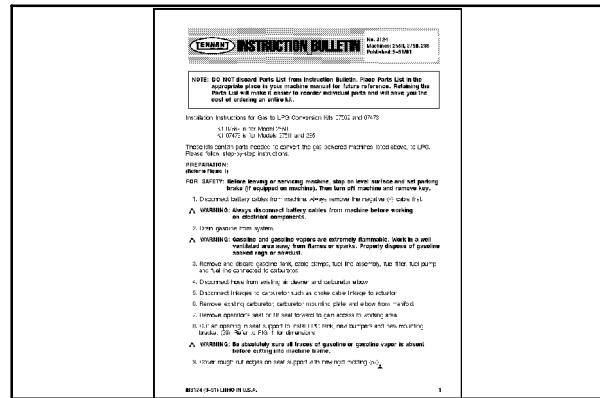
The parts lists include a number of columns of information:

- **Ref** - column refers to the reference number on the parts illustration.  
 ▽ - indicates the part is an assembly.  
 ▲ - indicates the part is included in the assembly listed just before it.
- **Part No.** - column lists the TENNANT part number for the part.
- **Serial Number** - column indicates the set of machines the part number is applicable to. Serial numbers change when the machine design has been modified. The most current design of the machine is shown in the main illustration, older designs are boxed in a corner of the illustration.
- **Description** - column is a brief description of the part.
- **Qty.** - column lists the quantity of that part used in that area of the machine.



**NOTE:** If a service kit is installed on your machine, be sure to keep the **INSTRUCTION BULLETIN** which came with the kit. It contains repair parts numbers needed for ordering future parts.

**NOTE:** Fasteners used in this machine may be metric or non-metric. Take care when replacing hardware to replace with same thread size.



## PLACING AN ORDER

Orders may be placed by phone, fax, or by mail. Phone orders may need written confirmation. Follow the steps below to insure prompt delivery:

1. Identify the model number of your machine.
2. Identify the serial number of your machine.
3. Find the part number of the part you need. Do not order by page number or reference number. If you are not able to find the part number, call your TENNANT representative for help or send the old part as a sample.
4. Determine the quantity of the part you need.
5. Provide the following company information:
  - Company name
  - Customer ID Number
  - Shipping address
  - Billing address
  - First and last name of person ordering parts
  - Telephone number
  - Purchase order number
6. Provide definitive shipping instructions.

## HOW TO USE THIS MANUAL

---

Any claim for loss or damage to a shipment in transit should be filed promptly with the transportation company making the delivery. Shipments will be complete unless the packing list or order acknowledgement indicates items back ordered.

If parts received are suspected to be incorrect or defective, please contact the TENNANT representative from whom you ordered the part. They will give authorization for return and/or handle replacement shipments when required.

## SECTION 2

Contents	Page	Contents	Page
Fig. 1 - Recommended General Maintenance Items .....	2-2	Fig. 34 - Hopper Group .....	2-76
Fig. 2 - Brushes, Replacement .....	2-3	Fig. 35 - Hopper Filter Bags Group .....	2-78
Fig. 3 - Main Frame Group (000000-008499) .	2-4	Fig. 36 - Hopper Tilt Cylinders Group .....	2-80
Fig. 4 - Main Frame Group (008500- ) ..	2-6	Fig. 37 - Hopper Support Cylinder Group .....	2-82
Fig. 5 - Main Frame, Right Brush Door Group .	2-8	Fig. 38 - Hopper Vacuum Fan Group .....	2-84
Fig. 6 - Main Frame, Left Brush Door Group .	2-10	Fig. 39 - Cab Group, Front .....	2-86
Fig. 7 - Main Frame, Rear Axle Group .....	2-12	Fig. 40 - Cab Group, Rear .....	2-88
Fig. 8 - Main Frame, Front Axle and Transmission Group .....	2-14	Fig. 41 - Cab Door Mount and Covers Group .	2-90
Fig. 9 - Main Frame, Front Brakes and Lines Group .....	2-16	Fig. 42 - Cab Door Group, Right .....	2-92
Fig. 10 - Brush Group, Main .....	2-18	Fig. 43 - Cab Door Group, Left .....	2-94
Fig. 11 - Brush Lift Group, Main .....	2-20	Fig. 44 - Cab Upper and Front Console Group	2-96
Fig. 12 - Engine and Mount Group (000000-008499) .....	2-22	Fig. 45 - Cab Center Console and Seat Group	2-98
Fig. 13 - Engine and Mount Group (008500- ) .....	2-26	Fig. 46 - Cab Lights, Visor, and Pedal Group .	2-100
Fig. 14 - Engine Alternator Group (000000-008499) .....	2-30	Fig. 47 - Cab Heater Group .....	2-102
Fig. 15 - Engine Alternator Group (008500- ) .....	2-31	Fig. 48 - Cab Blower Assembly .....	2-104
Fig. 16 - Engine Fuel Tank and Lines Group (000000-008499) .....	2-32	Fig. 49 - Electrical Instrument Panel Assembly .....	2-106
Fig. 17 - Engine Fuel Tank and Lines Group (008500- ) .....	2-34	Fig. 50 - Steering Wheel Group .....	2-108
Fig. 18 - Engine Radiator and Hydraulic Cooler Group, NA (000000-008499)	2-36	Fig. 51 - Brush Group, Right Side .....	2-110
Fig. 19 - Engine Radiator and Hydraulic Cooler Group, Turbo (000000-008499) .	2-38	Fig. 52 - Hydraulic Schematic .....	2-112
Fig. 20 - Engine Radiator and Hydraulic Cooler Group, Turbo (008500- ) .	2-40	Fig. 53 - Hydraulic Hose Group, Low Dump ..	2-118
Fig. 21 - Engine Muffler Group, NA (000000-008499) .....	2-42	Fig. 54 - Hydraulic Hose Group, Cab .....	2-120
Fig. 22 - Engine Muffler Group, Turbo (000000-008499) .....	2-44	Fig. 55 - Hydraulic Hose Group, Conveyor and Main Brush .....	2-122
Fig. 23 - Engine Muffler Group, Turbo (008500- ) .....	2-46	Fig. 56 - Hydraulic Hose Group, Reservoir ...	2-124
Fig. 24 - Engine Air Cleaner Group, NA (000000-008499) .....	2-48	Fig. 57 - Hydraulic Hose Group, Steer, Brakes, Side Brush .....	2-126
Fig. 25 - Engine Air Cleaner Group, Turbo (000000-008499) .....	2-50	Fig. 58 - Hydraulic Hose Group, Propel .....	2-128
Fig. 26 - Engine Air Cleaner Group, Turbo (008500- ) .....	2-52	Fig. 59 - Hydraulic Reservoir Group .....	2-130
Fig. 27 - Engine Battery and Cables Group ...	2-54	Fig. 60 - Hydraulic Pumps Group .....	2-132
Fig. 28 - Conveyor and Covers Group .....	2-56	Fig. 61 - Hydraulic Main Brush/Conveyor Lift Valve Group .....	2-134
Fig. 29 - Conveyor Drive Group .....	2-58	Fig. 62 - Hydraulic Hopper Control Valve Group .....	2-136
Fig. 30 - Conveyor Idler Group .....	2-62	Fig. 63 - Hydraulic Side Brush Valve Group ..	2-138
Fig. 31 - Conveyor Tension Group .....	2-66	Fig. 64 - Hydraulic Manifold and Priority Valve Group .....	2-140
Fig. 32 - Conveyor Lift Group, Right .....	2-68	Fig. 65 - Water Tank Group .....	2-142
Fig. 33 - Conveyor Lift Group, Left .....	2-72	Fig. 66 - Dry Dust Control Group .....	2-144
		Fig. 67 - Electrical Schematic (000000-008499) .....	2-146
		Fig. 68 - Electrical Schematic (008500- )	2-152
		Fig. 69 - Wire Harnesses Group (000000-008499) .....	2-158
		Fig. 70 - Wire Harnesses Group (008500- ) .....	2-179
		Fig. 71 - Labels Group .....	2-200

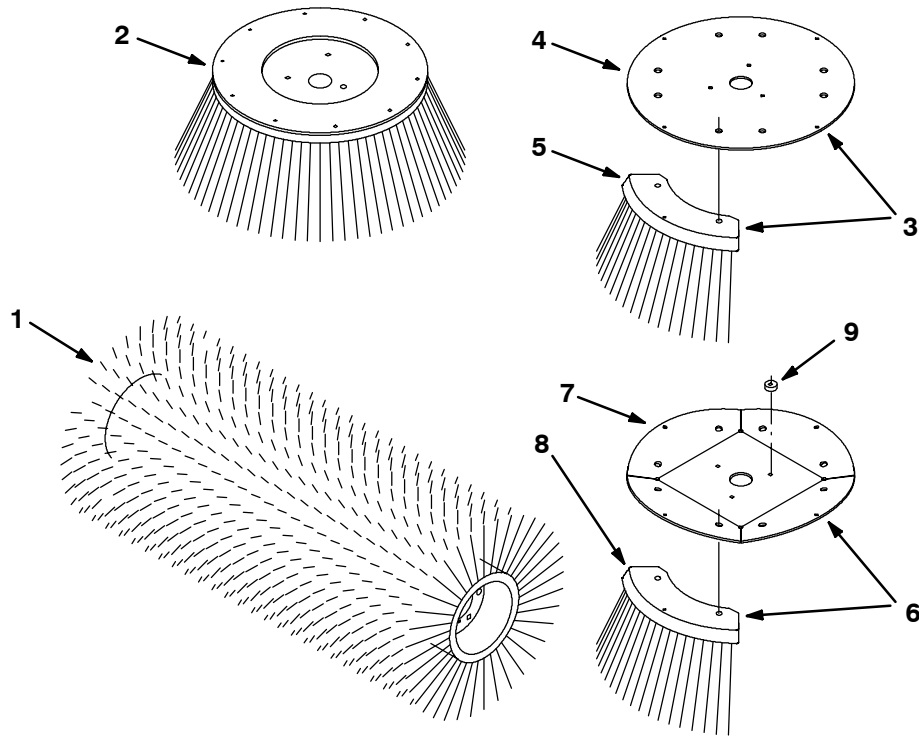
# STANDARD PARTS

**Fig. 1 - Recommended General Maintenance Items**

Ref.	Part No.	Serial Number	Description	Qty.
	771078	(000000-	) Filter, Oil, Hyd 5mic 50 Gpm 145	1
	762220	(000000-	) Tee, Water Spray (Wet Dust Control)	1
	762221	(000000-	) Nozzle, Water Spray (Wet Dust Control)	2
	762234	(000000-	) Cap, Spray Nozzle (Wet Dust Control)	2
	372117	(000000-	) Element, Fltr, Fuel [Cat#1r-1804]	1
	1011194	(000000-	) Element, Fltr, Oil (NA Engine)	1
	1011194	(000000-	) Element, Fltr, Oil (Turbo Engine)	1
	764131	(000000-	) Filter Element,Air Donaldson (NA Engine)	1
	764190	(000000-	) Filter Element,Air Donaldson (Turbo Engine)	1
	760098	(000000-	) Plug And Cap Kit, Hyd Ftg	1
	760099	(000000-	) O-Ring Kit, Seal Lok	1
	1009169	(000000-	) Paint, Airdry, [Hawk Gray], 12oz	1
	1009170	(000000-	) Paint, Airdry, [Gm White], 12oz	1
	65870-5	(000000-	) Fluid, Hyd Oil, Lo Tp 5 Gal.	1
	767766	(000000-	) 424 Oil, Brakes, 2.5 Gal.	1
	764260	(000000-	) Skirt Kit, Front (With 5 U-Nuts) (Dry Dust Control)	1
	764261	(000000-	) Skirt Kit, S. B. (1 Per Side With 5 U-Nuts) (Dry Dust Control)	1
	768089	(000000-	) Skirt, Dust Containment (1 Per Side With 2 U-Nuts) (Dry Dust Control)	2
	1005719	(000000-	) Strip, Paddle, Conveyor	13
	760897	(000000-	) Skirt, Conveyor Lip	1
	760882	(000000-	) Skirt, Conveyor Side	2
	765845	(000000-	) Guide, Conveyor Chain	4
	760837	(000000-	) Skirt, Side Deflectors	2
	761117	(000000-	) Skirt, Dust, Rear	1
	761158	(000000-	) Seal, Brush Door	2
	86385	(000000-	) Grease, Anti-Corrosion Electrical	1
	761501	(000000-	) Filter Bag Lifting Kit	1
	769657	(000000-	) Filter, Cab Air Intake	1
▽	55850	(000000-	) Filter Assy, Fuel, 3-Mic [Nelson91783a]	1
▲	55844	(000000-	) Filter, Fuel, Spin-On [Nelson#85254f]	1
	65869-5	(000000-	) Oil, Hyd, 15/40, 05gal	1
	65870-5	(000000-	) Oil, Hyd, 5/20, 05gal	1
	9000119	(000000-	) Oil, Hyd, Syn, 5 Gal	1
	1009169	(000000-	) Paint, Airdry, [Hawk Gray], 12oz	1
	1009170	(000000-	) Paint, Airdry, [Gm White], 12oz	1
	9000688	(000000-	) Paint Kit, Ure, Gal [Hawk Gray]	1
	9000689	(000000-	) Paint Kit, Ure, Gal [Gm White]	1
	771052	(000000-	) Test Kit, Hyd Press	1
	760798	(000000-	) Trough Wldt, Conveyor	1
	1006225	(000000-	) Plate Wldt, Back, Conveyor	1
	1006175	(000000-	) Plate, Wear	1
	1006108	(000000-	) Wrap, Conveyor, Upper	1
	1025192	(000000-	) Sprocket, 1.654pd, 19tooth, 4.50b, Split	3
	1005173	(000000-	) Wheel, Traction	1
	1005175	(000000-	) Chain, Rlr, 1.65 Pitch, 92 Pitches	2



Fig. 2 - Brushes, Replacement



351955

Ref.	Part No.	Serial Number	Description	Qty.	
1	761126	(000000-	) Brush-Main Sweep,51Lg Strp Poly	1	
2	761211	(000000-	) Brush-Side Sweep 32D Poly&Wire, Side	1	
2	761213	(000000-	) Brush-Side Sweep -32D Flatwire, Side	1	
2	761238	(000000-	) Brush-Side Sweep -32D Poly, Side	1	
2	761239	(000000-	) Brush-Side Sweep -38D Poly, Vario	1	
2	761372	(000000-	) Brush-Side Sweep-38D Poly&Wire, Vario	1	
▽	3	768031	(000000-	) Brush Kit, Segmented -32 D-Poly	1
▲	4	768025	(000000-	) Plate, Side Brush	1
▲	5	768028	(000000-	) Brush-Side Swp, 4 Segments-Poly	1
▲▲	760107	(000000-	) Kit, Side Brush Spring	1	
▲▲	769590	(000000-	) Kit, Ci, Linkage, Brush, Side	1	
▽	3	768032	(000000-	) Brush Kit, Segmented -32 D-Flatwire	1
▲	4	768025	(000000-	) Plate, Side Brush	1
▲	5	768029	(000000-	) Brush-Side Swp, 4 Segments-Flatwire	1
▲▲	760107	(000000-	) Kit, Side Brush Spring	1	
▲▲	769590	(000000-	) Kit, Ci, Linkage, Brush, Side	1	
▽	3	768033	(000000-	) Brush Kit, Segmented -32 D-Poly&Wire	1
▲	4	768025	(000000-	) Plate, Side Brush	1
▲	5	768030	(000000-	) Brush-Side Swp, 4 Segments-Poly&Wire	1
▲▲	760107	(000000-	) Kit, Side Brush Spring	1	
▲▲	769590	(000000-	) Kit, Ci, Linkage, Brush, Side	1	
▽	6	768034	(000000-	) Brush Kit, Segmented -38 D-Poly	1
▲	7	768026	(000000-	) Plate, Front Brush/Vario	1
▲	8	768028	(000000-	) Brush-Side Swp, 4 Segments-Poly	1
▲	9	1017282	(000000-	) Spacer, 1.25od X .433id X .50h	3
▽	6	768036	(000000-	) Brush Kit, Segmented -38 D-Poly&Wire	1
▲	7	768026	(000000-	) Plate, Front Brush/Vario	1
▲	8	768030	(000000-	) Brush-Side Swp, 4 Segments-Poly&wire	1
▲	9	1017282	(000000-	) Spacer, 1.25od X .433id X .50h	3

# STANDARD PARTS

Fig. 3 - Main Frame Group (000000-008499)

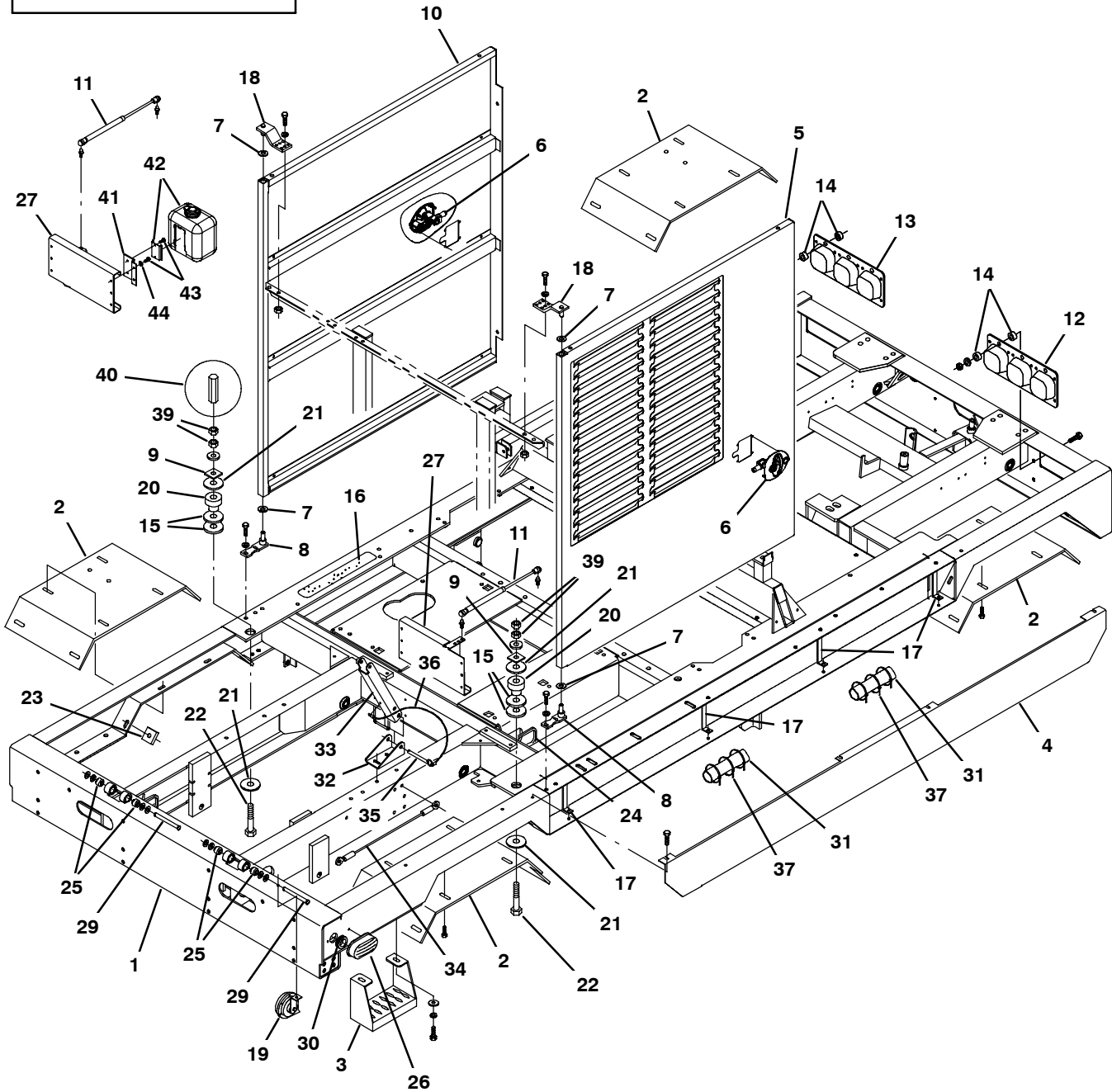
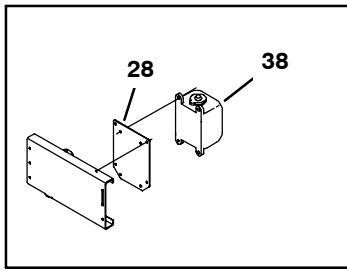


Fig. 3 - Main Frame Group (000000-008499)

Ref.	Part No.	Serial Number	Description	Qty.	
1	1008375	(000000-008499 )	Frame Wldt [Sentinel]	1	
2	760357	(000000-008499 )	Fender	4	
3	765360	(000000-008499 )	Step Wldt	2	
4	1009349	(000000-008499 )	Cover, Channel, Lh	1	
5	1009680	(000000-008499 )	Door Assy, Eng, Lh	1	
▽	6	1008823	(000000-008499 )	Latch, T Handle	2
▲	1017948	(000000-008499 )	Key, Door, Eng	2	
7	761044	(000000-008499 )	Bushing, Engine Door Hinge	4	
8	761043	(000000-008499 )	Pin, Hinge, Lower	2	
9	761093	(000000-008499 )	Pad,Cab Mount	2	
10	1009694	(000000-008499 )	Door Assy, Eng, Rh	1	
11	766980	(000000-008499 )	Gas Spring	2	
▽	12	768620	(000000-008499 )	Taillight, Lh w/Connector	1
▲	762587	(000000-008499 )	Gasket, Taillight	3	
▲	45779	(000000-008499 )	Bulb, GE (Signal/tail)	2	
▲	45780	(000000-008499 )	Bulb, GE (Brake/backup)	1	
▽	13	768619	(000000-008499 )	Taillight, Rh w/Connector	1
▲	762587	(000000-008499 )	Gasket, Taillight	3	
▲	45779	(000000-008499 )	Bulb, GE (signal/tail)	2	
▲	45780	(000000-008499 )	Bulb, GE (Brake/backup)	1	
14	762573	(000000-008499 )	Isolator, Taillight	12	
15	768487	(000000-008499 )	Washer	4	
16	75430	(000000-008499 )	Pad, Tread	1	
17	760395	(000000-008499 )	Retainer, Hoses	4	
18	766966	(000000-008499 )	Pin, Hinge, Upper	2	
19	369704	(000000-008499 )	Horn, 12V	1	
20	764016	(000000-008499 )	Isolator, Cab, Rear	2	
21	764073	(000000-008499 )	Washer, Special	4	
22	1010495	(000000-008499 )	Bolt, Modif	2	
23	763126	(000000-008499 )	U-Nut, 10mmx1.25x0.75in	16	
24	761237	(000000-008499 )	Molding, Rigid	4	
25	765307	(000000-008499 )	Bushing	4	
26	761882	(000000-008499 )	Light, Side Mrkr, Sig, Ambr, 12vdc	2	
27	1009012	(000000-008499 )	Bracket Wldt, Door	2	
28	766984	(000000-007613 )	Plate	1	
29	51538	(000000-008499 )	Clevis Pin	2	
30	765391	(000000-008499 )	Grommet	2	
31	762180	(000000-008499 )	Sheet, Rbr, Guard, Hose, 8"	2	
32	768411	(000000-008499 )	Bracket	1	
33	768410	(000000-008499 )	Channel	1	
34	768412	(000000-008499 )	Cable	1	
35	768413	(000000-008499 )	Pin	1	
36	57702	(000000-008499 )	Cable	1	
37	763116	(000000-008499 )	Tie, Cable, Nyl, 15.3l . W 4.5 Max D	6	
38	761893	(000000-007613 )	Bottle, Washer Fluid W/Pump	1	
39	07783	(000000-008499 )	Nut, Hex, Std, M20 X 2.5, 8	4	
40	1011429	(000000-008499 )	Nut, Spcl, Extended (Required with water tank)	1	
41	1021424	(007614-008499 )	Bracket	1	
42	1043659	(007614-008499 )	Bottle, Winshield Washer Fluid	1	
43	12459	(007614-008499 )	Screw, Hex, M6 X 1.00 X 20, Fmg	8	
44	763040	(007614-008499 )	Washer, Flat, Belleville, M6	6	

**Fig. 4 - Main Frame Group (008500- )**

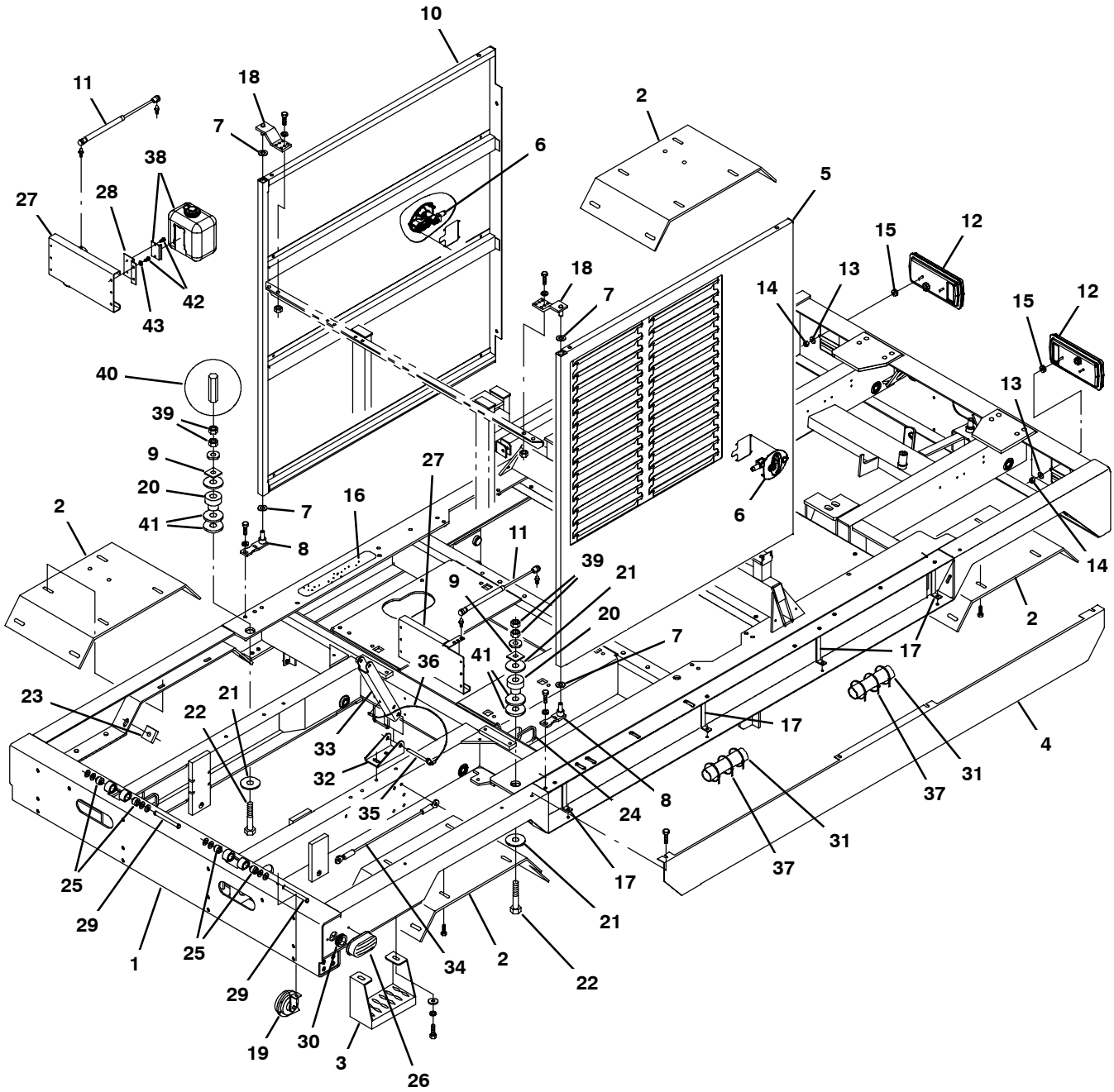


Fig. 4 - Main Frame Group (008500- )

Ref.	Part No.	Serial Number	Description	Qty.	
1	1046323	(008500-	) Frame Wldt [Sentinel 2008]	1	
2	760357	(008500-	) Fender	4	
3	765360	(008500-	) Step Wldt	2	
4	1009349	(008500-	) Cover, Channel, Lh	1	
5	1009680	(008500-	) Door Assy, Eng, Lh	1	
▽	6	1008823	(008500-	) Latch, T Handle	2
▲	1017948	(008500-	) Key, Door, Eng	2	
7	761044	(008500-	) Bushing, Engine Door Hinge	4	
8	761043	(008500-	) Pin, Hinge, Lower	2	
9	761093	(008500-	) Pad,Cab Mount	2	
10	1009694	(008500-	) Door Assy, Eng, Rh	1	
11	766980	(008500-	) Gas Spring	2	
12	1046088	(008500-	) Taillight, Led [Sentinel 08]	2	
13	32490	(008500-	) Washer, Flat, 0.25, Std	4	
14	08708	(008500-	) Nut, Hex, Lock, M6 X 1.00, NI	4	
15	46314	(008500-	) Grommet, Rbr, 0.20id, F/0.4h, .12 Matl	4	
16	75430	(008500-	) Pad, Tread	1	
17	760395	(008500-	) Retainer, Hoses	4	
18	766966	(008500-	) Pin, Hinge, Upper	2	
19	369704	(008500-	) Horn, 12V	1	
20	764016	(008500-	) Isolator, Cab, Rear	2	
21	764073	(008500-	) Washer, Special	4	
22	1010495	(008500-	) Bolt, Modif	2	
23	763126	(008500-	) U-Nut, 10mmx1.25x0.75in	16	
24	761237	(008500-	) Molding, Rigid	4	
25	765307	(008500-	) Bushing	4	
26	761882	(008500-	) Light, Side Mrkr, Sig, Ambr, 12vdc	2	
27	1009012	(008500-	) Bracket Wldt, Door	2	
28	1021424	(008500-	) Bracket	1	
29	51538	(008500-	) Clevis Pin	2	
30	765391	(008500-	) Grommet	2	
31	762180	(008500-	) Sheet, Rbr, Guard, Hose, 8"	2	
32	768411	(008500-	) Bracket	1	
33	768410	(008500-	) Channel	1	
34	768412	(008500-	) Cable	1	
35	768413	(008500-	) Pin	1	
36	57702	(008500-	) Cable	1	
37	763116	(008500-	) Tie, Cable, Nyl, 15.3l . W 4.5 Max D	6	
38	1043659	(008500-	) Bottle, Winshield Washer Fluid	1	
39	07783	(008500-	) Nut, Hex, Std, M20 X 2.5, 8	4	
40	1011429	(008500-	) Nut, Spcl, Extended (Required with water tank)	1	
41	768487	(008500-	) Washer, Flat, 1.50b 3.00d .18	4	
42	12459	(008500-	) Screw, Hex, M6 X 1.00 X 20, Fmg	8	
43	763040	(008500-	) Washer, Flat, Belleville, M6	6	

**Fig. 5 - Main Frame, Right Brush Door Group**

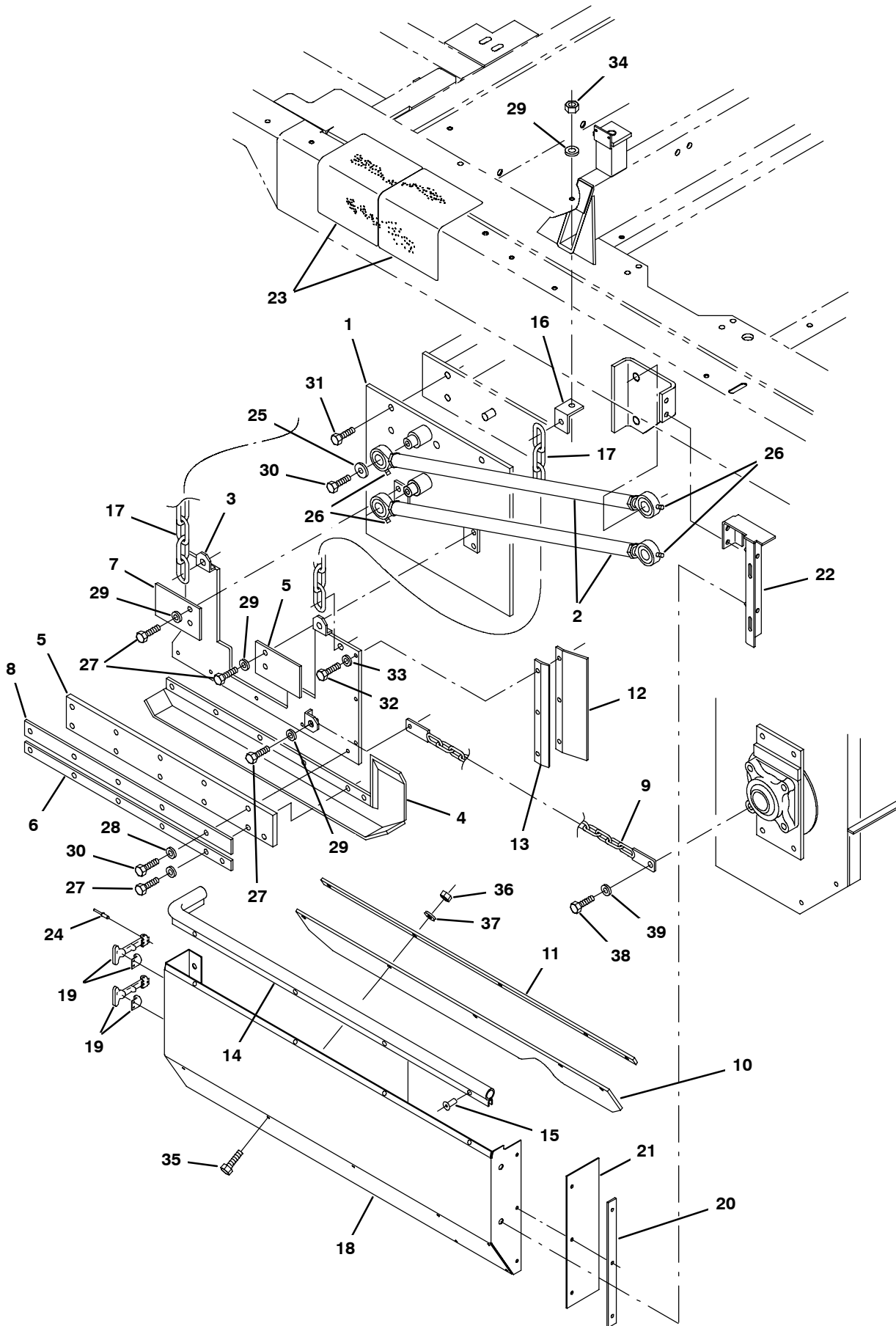


Fig. 5 - Main Frame, Right Brush Door Group

Ref.	Part No.	Serial Number	Description	Qty.	
1	769598	(000000-	) Plate Wldt, Cage, Rh	1	
2	768009	(000000-	) Rod Link, Brush Support Adj	2	
3	768205	(000000-	) Plate Wldt, Support, Side, Rh	1	
▽	4	768222	(000000-	) Skid Kit, Carbide, Rh & Lh	1
▲	768207	(000000-	) Skid Weld't, Carbide Rh	1	
▲	768202	(000000-	) Skid Weld't, Carbide Lh	1	
▲	5	768209	(000000-	) Cushion,Side Skids	1
▲	6	768210	(000000-	) Strip, Retainer Skirt	1
7	761106	(000000-	) Plate, Brush Guide	2	
8	768211	(000000-	) Strip, Retainer, Upper	1	
9	1009386	(000000-	) Chain Wldt, Brush, Cage	1	
10	761158	(000000-	) Seal, Brush Door	1	
11	760208	(000000-	) Retainer, Side Skirt,Brushdoor	1	
12	761121	(000000-	) Seal, Vertical	1	
13	761120	(000000-	) Strip, Retainer, Vertical	2	
14	760205	(000000-	) Seal,Brush Door	1	
15	763075	(000000-	) Rivet, Pop .156Dx.710x.312Dhd	5	
16	761124	(000000-	) Angle, Skid Chain	2	
17	761125	(000000-	) Chain, 2/0 13 Links	2	
18	1009306	(000000-	) Cover, Door, Brush, Rh	1	
19	761179	(000000-	) T-Handle, Latch 5"	2	
20	764256	(000000-	) Retainer	1	
21	768099	(000000-	) Seal	1	
22	765336	(000000-	) Support Wldt, Door Rh	1	
23	19895	(000000-	) Mat, Floor	2	
24	60428	(000000-	) Rivet	8	
25	39890	(000000-	) Washer, Flat, M08 Fender	2	
26	47801	(000000-	) Fitting, Grease, Str Pm04 .63l	4	
27	39277	(000000-	) Screw, Hex, M 8 X 1.25 X 25	10	
28	763041	(000000-	) Washer, Belleville, M08	14	
29	32490	(000000-	) Washer, Flat, 0.25 Std	9	
30	16931	(000000-	) Screw, Hex, M 8 X 1.25 X 20	7	
31	76570	(000000-	) Screw, Hex, M 8 X 1.25 X 30	2	
32	06943	(000000-	) Screw, Hex, M 6 X 1.0 X 20	3	
33	763040	(000000-	) Washer, Belleville, M06	3	
34	08709	(000000-	) Nut, Hex, Lock, M8 X 1.25, NI	4	
35	08716	(000000-	) Screw, Hex, M6 X 1.0 X 20, Ss	10	
36	08712	(000000-	) Nut, Hex, Lock, M6 X 1.0, Ss, NI	10	
37	01684	(000000-	) Washer, Flat, 0.25 Ss	10	
38	763100	(000000-	) Screw, Hex, M12 X 1.75 X 60	1	
39	39313	(000000-	) Nut, Hex, Std, M12 X 1.75	1	

Fig. 6 - Main Frame, Left Brush Door Group

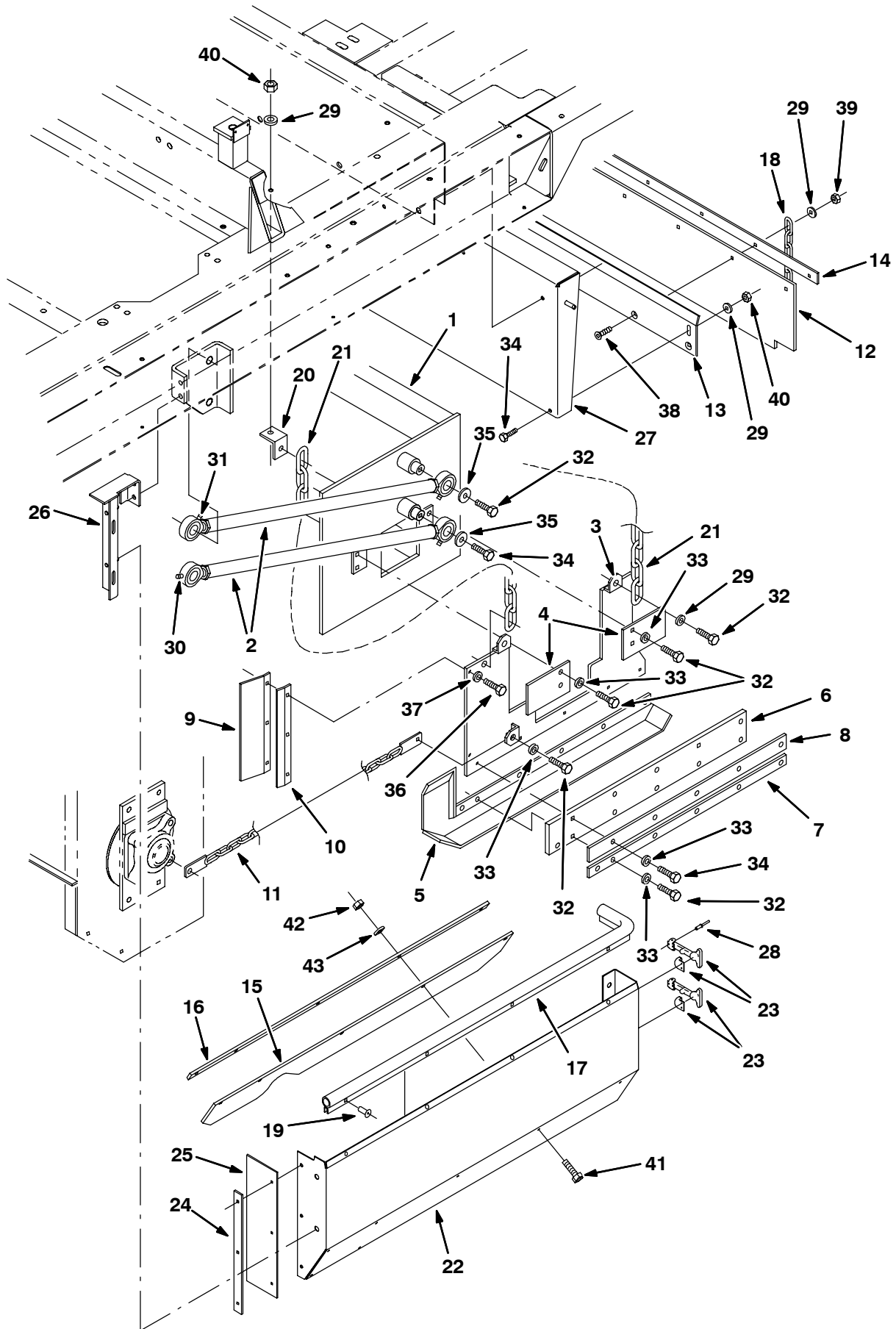




Fig. 6 - Main Frame, Left Brush Door Group

Ref.	Part No.	Serial Number	Description	Qty.	
1	770000	(000000-	) Plate Wldt, Cage, Sppt, Brush, Lh	1	
2	768009	(000000-	) Rod Link, Brush Support Adj	2	
3	768200	(000000-	) Plate Wldt, Support, Side, Lh	1	
4	761106	(000000-	) Plate, Brush Guide	2	
▽	5	768222	(000000-	) Skid Kit, Carbide, Rh & Lh	1
▲	768202	(000000-	) Skid Weld't, Carbide Lh	1	
▲	768207	(000000-	) Skid Weld't, Carbide Rh	1	
▲	6	768209	(000000-	) Cushion,Side Skids	1
▲	7	768210	(000000-	) Strip, Retainer Skirt	1
8	768211	(000000-	) Strip, Retainer, Upper	1	
9	761121	(000000-	) Seal, Vertical	1	
10	761120	(000000-	) Strip, Retainer, Vertical	2	
11	1009386	(000000-	) Chain Wldt, Brush, Cage	1	
12	761117	(000000-	) Skirt, Rear Dust	1	
13	761118	(000000-	) Bracket, Retainer, Rear	1	
14	761119	(000000-	) Strip, Retainer, Vertical	1	
15	761158	(000000-	) Seal, Brush, Door	1	
16	760208	(000000-	) Retainer, Side Skirt,Brushdoor	1	
17	760205	(000000-	) Seal,Brush Door	1	
18	48183	(000000-	) Chain,Link#2/0,11Links,Zinc Pl	1	
19	763075	(000000-	) Rivet, Pop .156Dx.710x.312Dhd	5	
20	761124	(000000-	) Angle, Skid Chain	2	
21	761125	(000000-	) Chain, 2/0 13 Links	2	
22	1009266	(000000-	) Cover, Door, Brush, Lh	1	
23	761179	(000000-	) T-Handle, Latch 5"	2	
24	764256	(000000-	) Retainer	1	
25	768099	(000000-	) Seal	1	
26	765335	(000000-	) Support Wldt, Brush Door Lh	1	
27	765322	(000000-	) Brush Wrap	1	
28	60428	(000000-	) Rivet	8	
29	32490	(000000-	) Washer, Flat, 0.25 Std	15	
30	47801	(000000-	) Fitting, Grease, Str Pm04 .63l	2	
31	09718	(000000-	) Fitting, Grease, E90 Pm04 .75l	2	
32	39277	(000000-	) Screw, Hex, M 8 X 1.25 X 25	13	
33	763041	(000000-	) Washer, Belleville, M08	11	
34	16931	(000000-	) Screw, Hex, M 8 X 1.25 X 20	8	
35	39890	(000000-	) Washer, Flat, M08 Fender	4	
36	06943	(000000-	) Screw, Hex, M 6 X 1.0 X 20	3	
37	763040	(000000-	) Washer, Belleville, M06	3	
38	06415	(000000-	) Screw, Flt, M6 X 1.0 X 25, 10.9	8	
39	08708	(000000-	) Nut, Hex, Lock, M6 X 1.0, NI	8	
40	08709	(000000-	) Nut, Hex, Lock, M8 X 1.25, NI	12	
41	08716	(000000-	) Screw, Hex, M6 X 1.0 X 20, Ss	10	
42	08712	(000000-	) Nut, Hex, Lock, M6 X 1.0, Ss, NI	10	
43	01684	(000000-	) Washer, Flat, 0.25 Ss	10	

Fig. 7 - Main Frame, Rear Axle Group

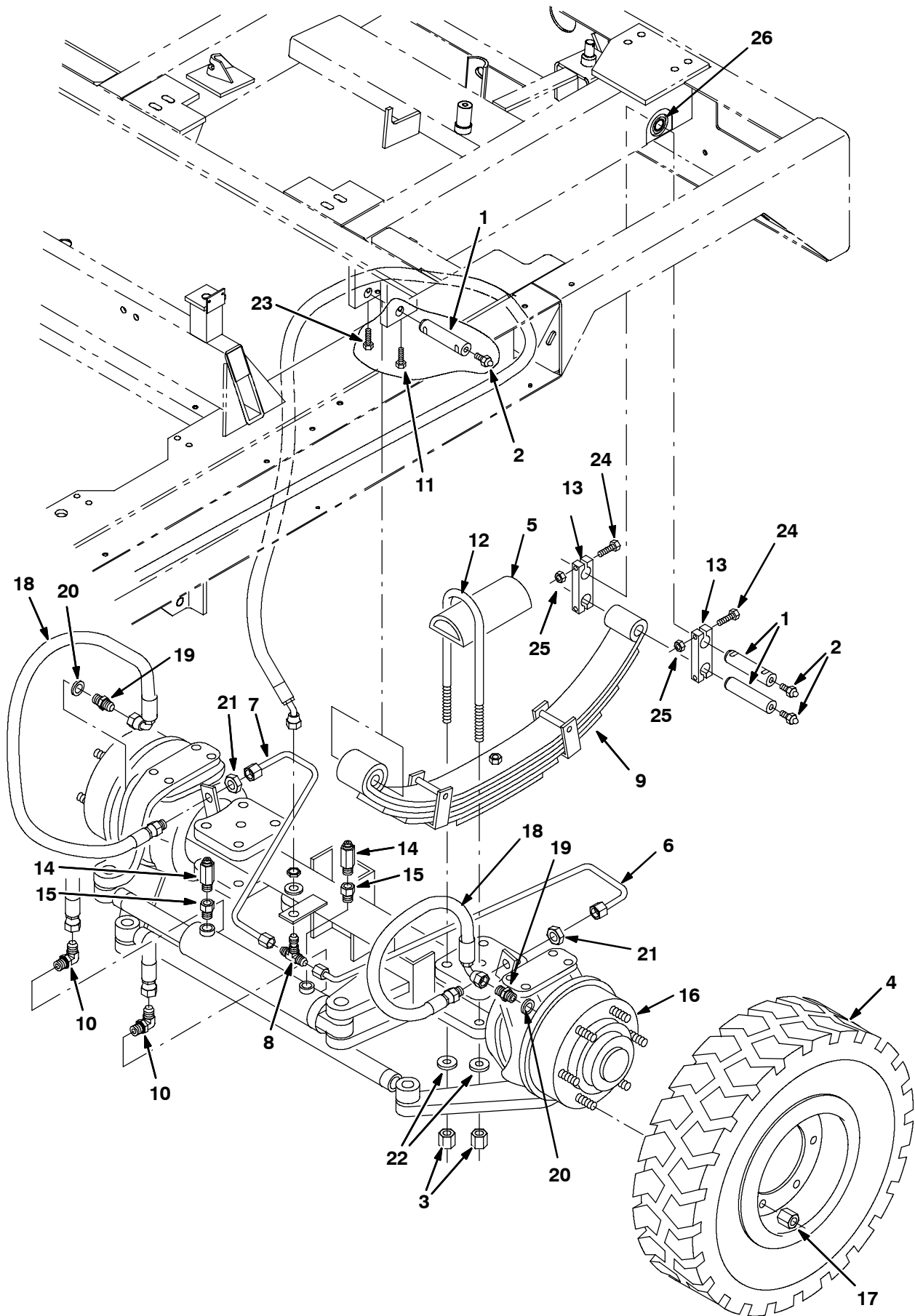


Fig. 7 - Main Frame, Rear Axle Group

Ref.	Part No.	Serial Number	Description	Qty.
	1	761017	(000000- ) Pin, Spring	6
	2	06418	(000000- ) Ftg, Grease.12 Npt Strt .66L	6
	3	761010	(000000- ) Nut, Special U-Bolt, .75 Deep	8
▽	4	761011	(000000- ) Tire & Rim Assy, (Bias Ply)	2
▲		761012	(000000- ) Wheel	1
▲		761013	(000000- ) Tire,7.00X12 Hd Rib Lug, (Bias Ply)	1
▲		761014	(000000- ) Tube,Tire 7.00X12, (Bias Ply)	1
▲		57048	(000000- ) Washer, 0.53b 2.13d .11, Stl, PI	1
▽	4	761799	(000000- ) Tire & Rim Assy, (Radial)	2
▲		761012	(000000- ) Wheel	1
▲		761798	(000000- ) Tire,7.00X12, (Radial)	1
▲		761014	(000000- ) Innertube, 7.00 X 12, [Tr440]	1
▲		57048	(000000- ) Washer, .532 Bx2.13x.11 HR ZNC	1
	5	761019	(000000- ) Saddle, U-Bolt	2
	6	761996	(000000- ) Tube, Brake, Rear, Lh	1
	7	761997	(000000- ) Tube, Brake, Rear, Rh	1
	8	34392	(000000- ) Ftg-Hyd Tee	1
	9	761004	(000000- ) Spring, Rear Leaf	2
	10	762432	(000000- ) Ftg-Hyd, E90	2
	11	768872	(000000- ) Screw Hex .38-16x 1.25	2
	12	761005	(000000- ) U-Bolt, Rear Spring	4
	13	761018	(000000- ) Bar, Side Spring	4
	14	762430	(000000- ) Ftg-Hyd Bleeder, 4	2
	15	762431	(000000- ) Ftg-Hyd, 6	2
▽	16	767702	(000000- ) Axle, Rear (See Breakdowns)	1
▲	17	761025	(000000- ) Lug Nut, Flanged	12
▲	18	761995	(000000- ) Hose	2
▲	19	761992	(000000- ) Fitting, Brakeline	2
▲	20	761993	(000000- ) Washer, Brakeline	2
▲	21	761712	(000000- ) Nut, Brake, M16x1.5	2
	22	761020	(000000- ) Washer	8
	23	21195	(000000- ) Screw Hex .38-16x.75	2
	24	27990	(000000- ) Screw, Hex, .38-16 X 2.00, G5	8
	25	36643	(000000- ) Nut, Hex, Lock, .38-16, NI, Thin	8
	26	763021	(000000- ) Bushing, 1.125 X .875 X 3.00	2

Fig. 8 - Main Frame, Front Axle and Transmission Group

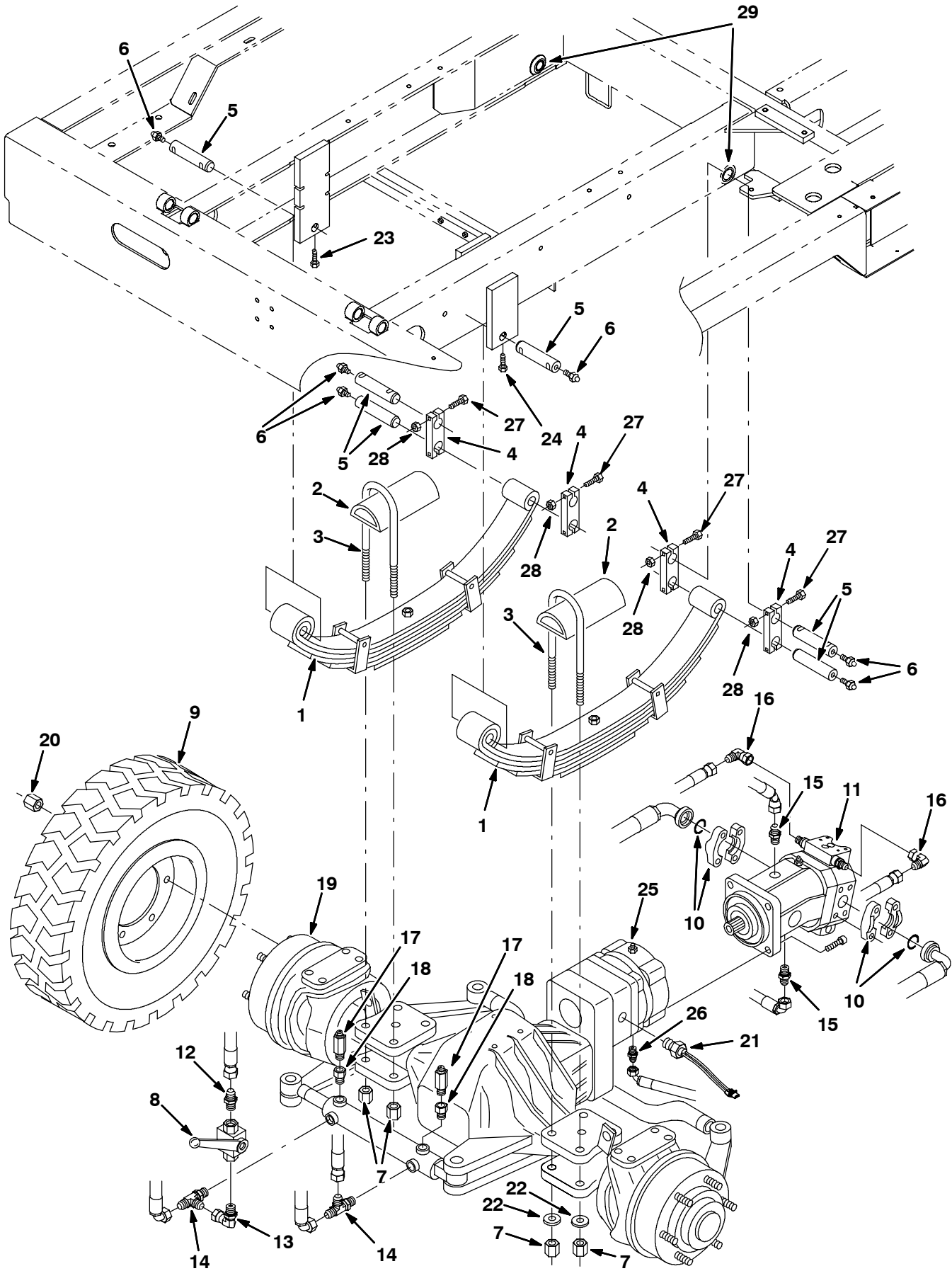


Fig. 8 - Main Frame, Front Axle and Transmission Group

Ref.	Part No.	Serial Number	Description	Qty.	
1	770016	(000000-	) Spring, Front Leaf	2	
2	761019	(000000-	) Saddle, U-Bolt	2	
3	761005	(000000-	) U-Bolt, Front Spring	4	
4	761018	(000000-	) Bar, Side Spring	4	
5	761017	(000000-	) Pin, Spring	6	
6	06418	(000000-	) Ftg, Grease.12 Npt Strt .66L	6	
7	761010	(000000-	) Nut, Special U-Bolt, .75 Deep	8	
8	762007	(000000-	) Valve, Ball Hycon	1	
▽	9	761011	(000000-	) Tire & Rim Assy, (Bias Ply)	2
▲		761012	(000000-	) Wheel	1
▲		761013	(000000-	) Tire,7.00X12 Hd Rib Lug, (Bias Ply)	1
▲		761014	(000000-	) Tube,Tire 7.00X12, (Bias Ply)	1
▲		57048	(000000-	) Washer, .532 Bx2.13x.11 HR ZNC	1
▽	9	761799	(000000-	) Tire & Rim Assy, (Radial)	2
▲		761012	(000000-	) Wheel	1
▲		761798	(000000-	) Tire,7.00X12, (Radial)	1
▲		761014	(000000-	) Innertube, 7.00 X 12, [Tr440]	1
▲		57048	(000000-	) Washer, 0.53b 2.13d .11, Stl, PI	1
10	762488	(000000-	) Ftg-Hyd Sae Flange	2	
11	762136	(000000-	) Motor, Piston, (See Breakdowns)	1	
11	376059	(000000-	) Motor, Hyd, Rebuilt, F/762136, (See Breakdowns)	1	
12	762433	(000000-	) Ftg-Hyd, Str	1	
13	762441	(000000-	) Ftg-Hyd, E90	1	
14	762434	(000000-	) Ftg-Hyd, Tee	2	
15	762109	(000000-	) Fitting, Hyd, Str, Om M18/Fm08	2	
16	762427	(000000-	) Ftg-Hyd, E90	2	
17	762430	(000000-	) Ftg-Hyd, Bleeder,4	2	
18	762431	(000000-	) Ftg-Hyd, 6	2	
▽	19	1006065	(000000-	) Axle, Front, 13.6:1 (See Breakdowns)	1
▲	20	761025	(000000-	) Lug Nut, Flanged	12
21	1042485	(000000-	) Sensor, Spd, 04.5-24vdc	1	
22	761020	(000000-	) Washer	8	
23	21195	(000000-	) Screw Hex .38-16x.75	2	
24	768872	(000000-	) Screw Hex.38-16x 1.25	2	
▽	25	1008248	(000000-	) Brake, Parking	1
▲		1015478	(000000-	) Brake Kit, Parking	1
26	762428	(000000-	) Fitting, Hyd, Str, Om04/Fm04	1	
27	27990	(000000-	) Screw, Hex, .38-16 X 2.00, G5	8	
28	36643	(000000-	) Nut, Hex, Lock, .38-16, NI, Thin	8	
29	763021	(000000-	) Bushing, 1.125 X .875 X 3.00	2	

Fig. 9 - Main Frame, Front Brakes and Lines Group

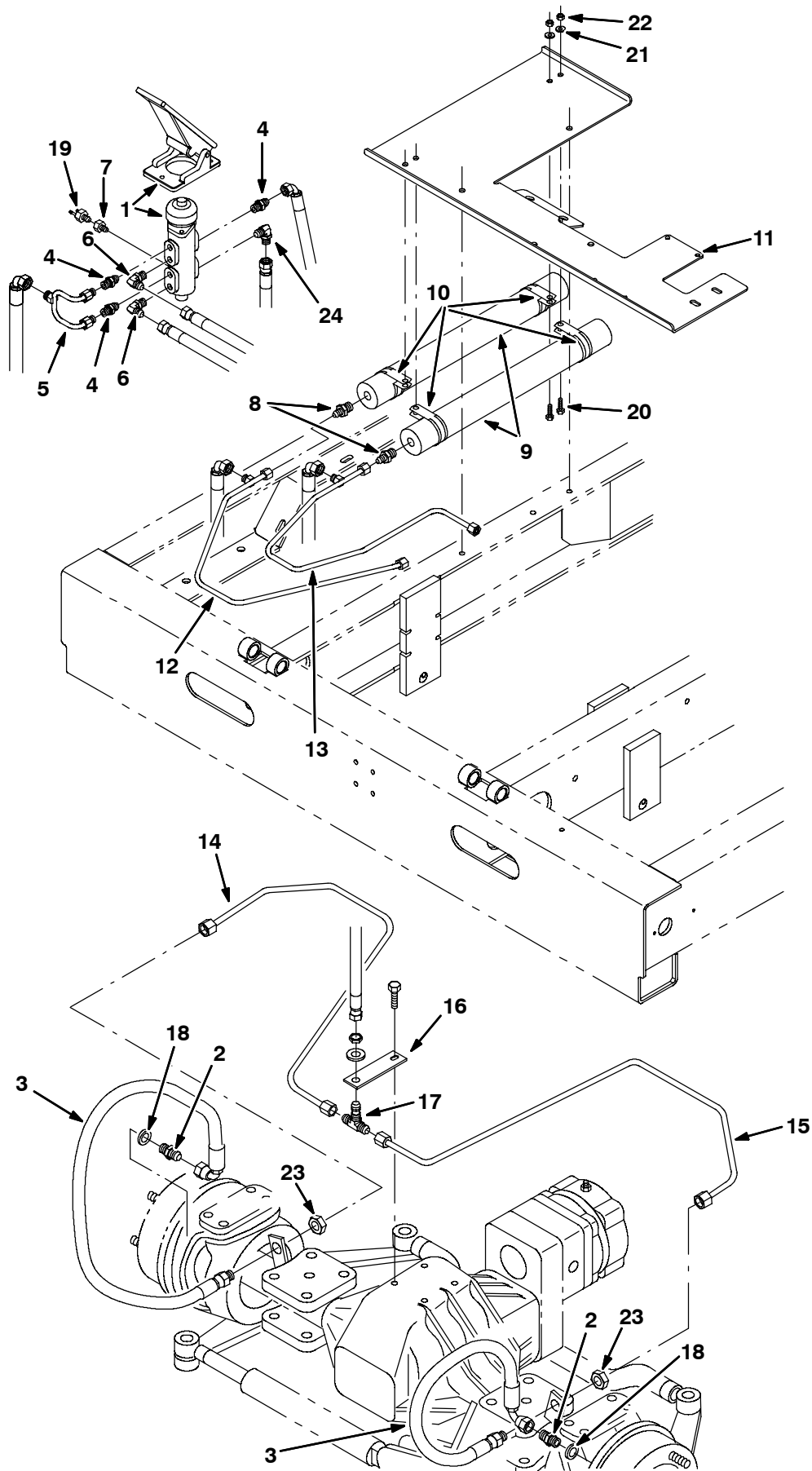


Fig. 9 - Main Frame, Front Brakes and Lines Group

Ref.	Part No.	Serial Number	Description	Qty.
1	767212	(000000-	) Valve, Brake	1
2	761992	(000000-	) Fitting, Brake Line	2
3	761995	(000000-	) Hose	2
4	762426	(000000-	) Fitting, Hyd, Str, Fm04/Om06	4
5	771001	(000000-	) Tube, Hyd, Brake Pedal	1
6	762432	(000000-	) Fitting, Hyd, E90, Om06/ Fm06	2
7	1007955	(000000-	) Fitting	1
8	762438	(000000-	) Fitting, Hyd, Str, Om06/Fm08	2
9	1049834	(000000-	) Accumulator, Piston, Brake, Ce	2
10	70157	(000000-	) Clamp, Cable	4
11	1006521	(000000-	) Plate, Mtg, Hyd	1
12	771003	(000000-	) Tube, Hyd, Accumulator, Left	1
13	771002	(000000-	) Tube, Hyd, Accumulator, Right	1
14	761998	(000000-	) Tube, Brake,Front, Rh	1
15	761999	(000000-	) Tube, Brake Front, Lh	1
16	766031	(000000-	) Plate, Hyd Line	1
17	34392	(000000-	) Fitting, Hyd, Tee	1
18	761993	(000000-	) Washer	2
19	770148	(000000-	) Switch, Press, 12vdc A Spst No 0060psi	1
20	39283	(000000-	) Screw, Hex, M10 X 1.5 X 25, 8.8	4
21	32492	(000000-	) Washer, Flat, 0.38 Std	4
22	41430	(000000-	) Nut, Hex, Lock, M10 X 1.5, NI	4
23	761712	(000000-	) Nut, Brake, M16x1.5	2
24	762425	(000000-	) Fitting, Hyd, E90, Fm04/Om06	1

Fig. 10 - Brush Group, Main

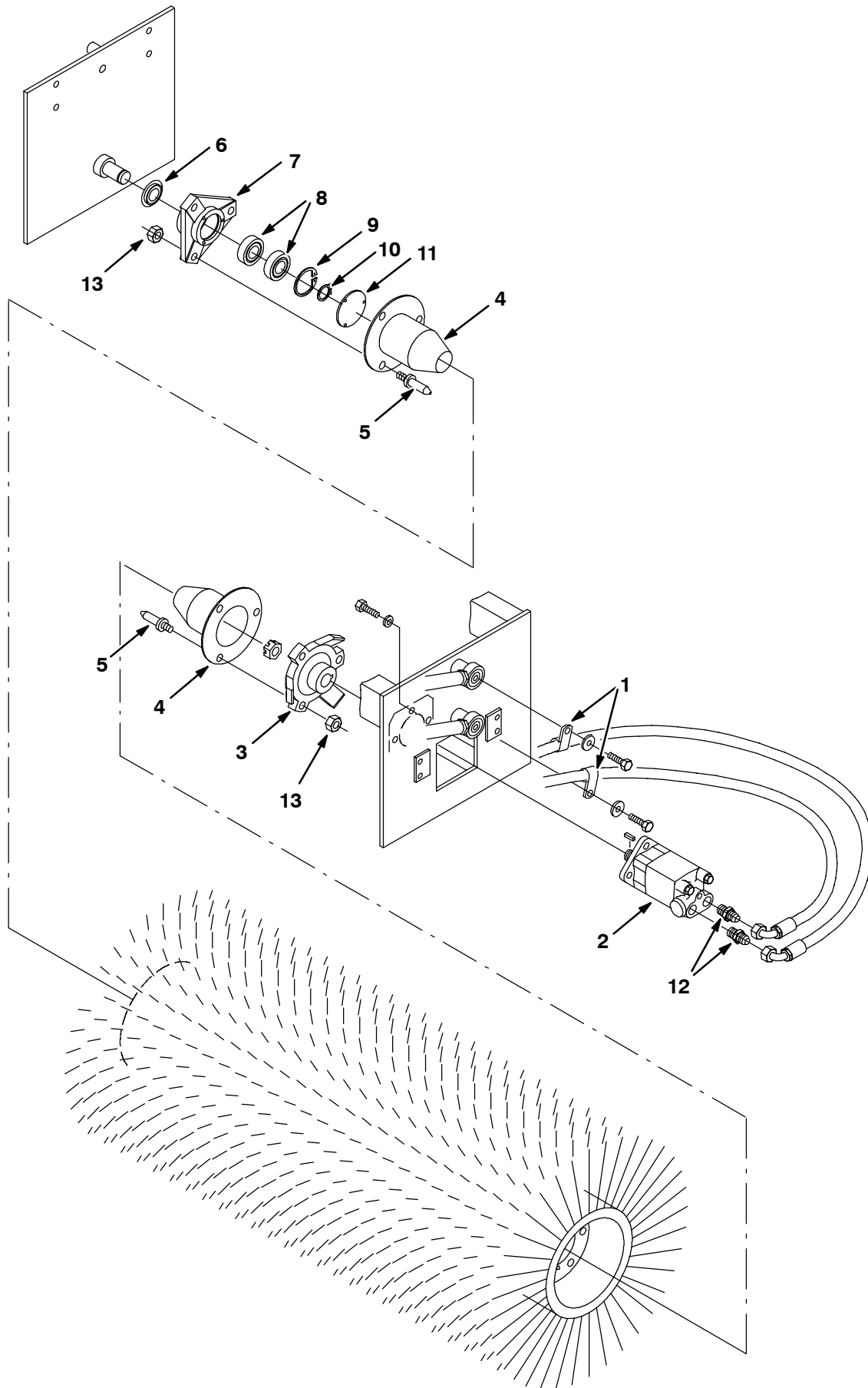




Fig. 10 - Brush Group, Main

Ref.	Part No.	Serial Number	Description	Qty.
	1	58366	(000000- ) Clamp-Cable, 1.25Dia. 1.0Wth	2
▽	2	771008	(000000- ) Motor, Hyd, Gear, [In] 14.9 B 3000	1
▲	1031670	(000000- )	Seal Kit, Motor, Hyd, Gear	1
	3	761141	(000000- ) Plug, Brush Drive,	1
	4	761131	(000000- ) Plug, Brush Guide	2
	5	761128	(000000- ) Pin, Brush Plug	6
	6	763134	(000000- ) Seal, Dust	1
	7	761134	(000000- ) Plug, Brush Idler	1
	8	360074	(000000- ) Bearing	2
	9	763133	(000000- ) Retaining Ring, 62 Dia	1
	10	763131	(000000- ) Retaining Ring, 30 Dia	1
	11	761130	(000000- ) Plate, Lid, Brush Drive	1
	12	762463	(000000- ) Ftg-Hyd, Str	2
	13	33342	(000000- ) Nut-Hxlocnyln M16x2.0 Reg Pltd	6

Fig. 11 - Brush Lift Group, Main

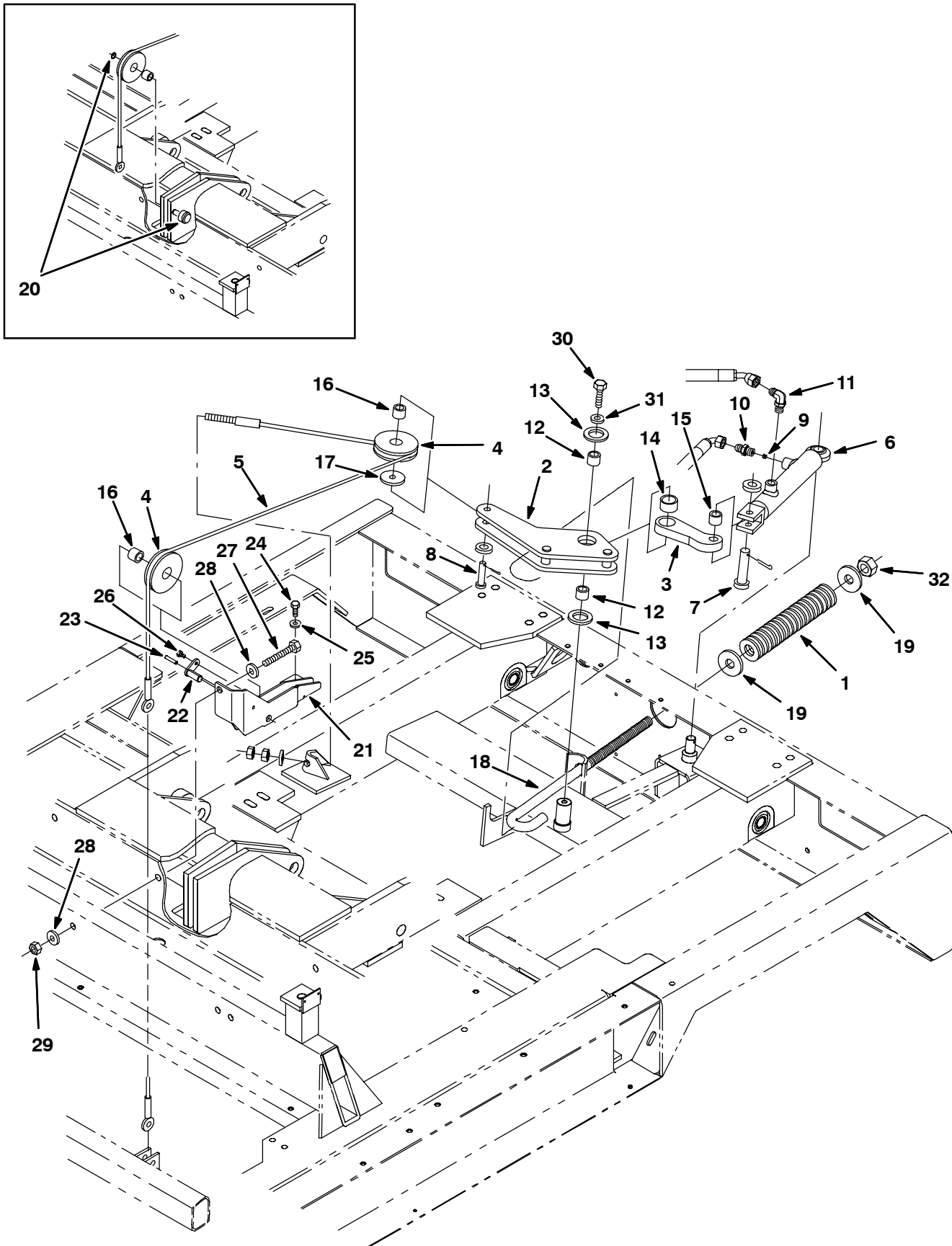


Fig. 11 - Brush Lift Group, Main

Ref.	Part No.	Serial Number	Description	Qty.
1	768014	(000000-	) Spring, Brush Lift	1
2	768019	(000000-	) Arm Wldt	1
3	765370	(000000-	) Plate, Arm	1
4	760916	(000000-	) Pulley	2
5	765488	(000000-	) Cable, Brush Lift	1
6	1028504	(000000-	) Cylinder, Hyd, 1.5b 12.6l 05.10strk 3000	1
7	760925	(000000-	) Pin, Brush Lift	1
8	760921	(000000-	) Pin, Brush Lift	1
9	1010153	(000000-	) Fitting, Hyd, Orifice, 0.031	1
10	762426	(000000-	) Ftg-Hyd, Str	1
11	762425	(000000-	) Ftg-Hyd, E90	1
12	763022	(000000-	) Bearing, Sleeve 30x38x10	2
13	763024	(000000-	) Washer, Thrust 32.1x50.8x3.2	2
14	763003	(000000-	) Bearing	1
15	763007	(000000-	) Bearing	1
16	763118	(000000-	) Bearing	2
17	763050	(000000-	) Bearing, Thrust	1
18	765380	(000000-	) Hook, Threaded M20x10	1
19	765381	(000000-	) Washer, 2.250x.812x.250	2
20	9001775	(000000-006896)	) Pin Kit, Pulley, Repair	1
21	1026950	(006897-	) Mount Wldt, Pulley	1
22	1026997	(006897-	) Pin Wldt, Clevis, .550d	1
23	26239	(006897-	) Pin, Roll, .250 D X 1.25l, .250/.256	1
24	763045	(006897-	) Screw, Hex, M8 X 1.25 X 20, Fmg	1
25	32491	(006897-	) Washer, Flat, 0.31 Std	1
26	222158	(006897-	) Screw, Hex, M6 X 1.0 X 10, Fmg	1
27	06975	(006897-	) Screw, Hex, M12 X 1.75 X 90, 8.8	1
28	32486	(006897-	) Washer, Flat, 0.50 Sae	2
29	222159	(006897-	) Screw, Hex, M6 X 1.0 X 25, Fmg	1
30	06961	(000000-	) Screw, Hex, M10 X 1.5 X 20, 8.8	1
31	764070	(000000-	) Washer, Flat [Lord #J-2049-52]	1
32	763036	(000000-	) Nut, Hex, Lock, M20 X 2.5, NI	1

# STANDARD PARTS

Fig. 12 - Engine and Mount Group (000000-008499)

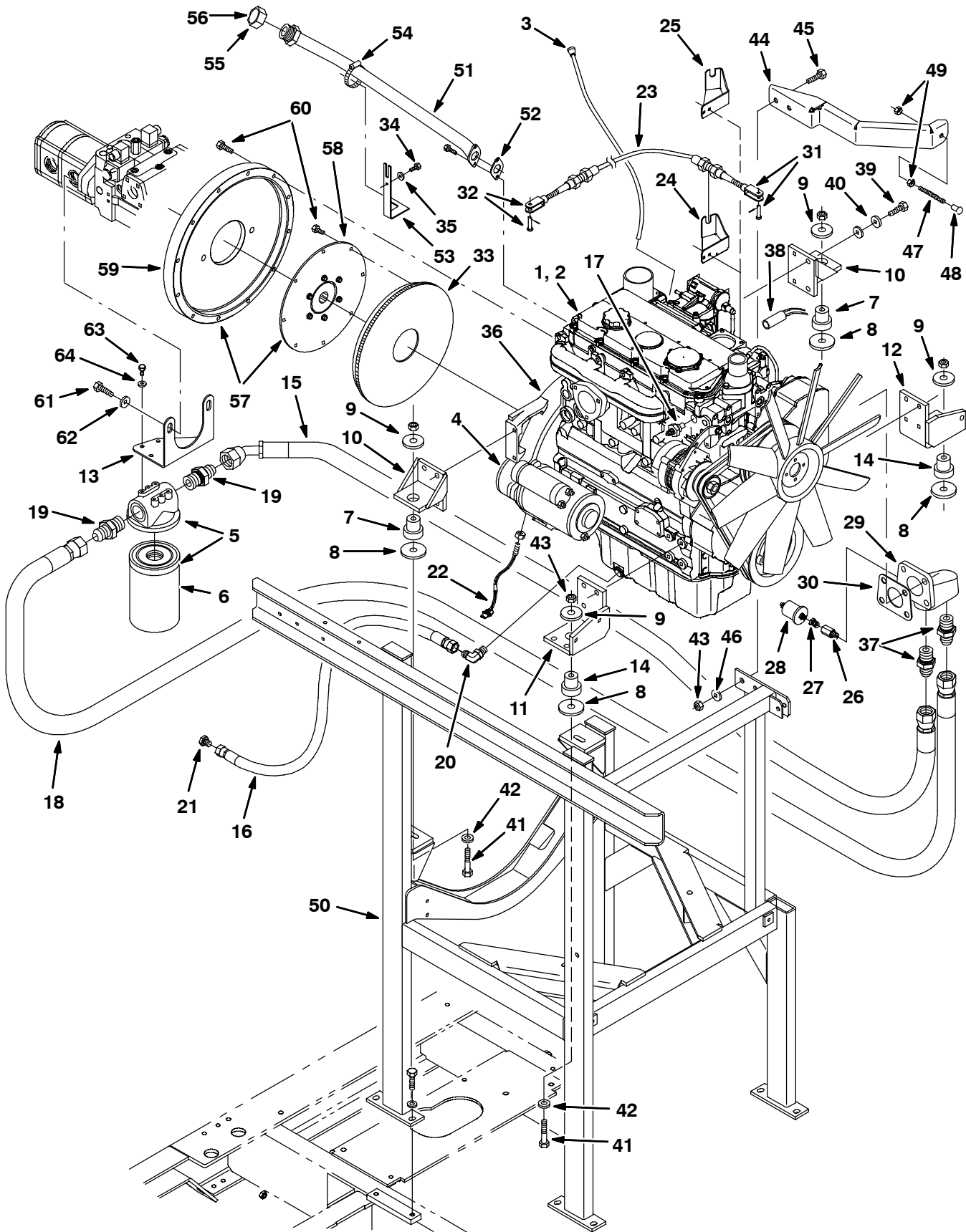


Fig. 12 - Engine and Mount Group (000000-008499)

Ref.	Part No.	Serial Number	Description	Qty.
1	1008786	(000000-008499 )	Engine Assy, DSL [Cat 83 Hp]	1
2	1008787	(000000-008499 )	Engine Assy, DSL, Turbo [Cat 127 Hp]	1
3	372215	(000000-008499 )	Kit, Dipstick	1
4	1011183	(000000-008499 )	Starter, Eng (Sentinel)	1
▽	5	1011195	(000000-008499 ) Remote Oil Filter Assy	1
▲	6	1011194	(000000-008499 ) Filter Element, Oil	1
7	764015	(000000-008499 )	Isolator, Mtg, Flywheel, Orange	2
8	764071	(000000-008499 )	Washer, Special	4
9	764070	(000000-008499 )	Washer, Special	4
10	764009	(000000-008499 )	Support,Engine Flywheel	2
11	764011	(000000-008499 )	Support, Eng Fan, Side, Front	1
12	764012	(000000-008499 )	Support,Engine Fan Side Rear	1
13	1010833	(000000-008499 )	Bracket, Remote Oil Filter	1
14	764014	(000000-008499 )	Isolator, Mtg, Fan, Side	2
15	1010962	(000000-008499 )	Hose, Hyd	1
16	762409	(000000-008499 )	Hose, Hyd	1
17	767648	(000000-008499 )	Sensor, Temp, Water, 0.50Nptf 300 Deg	1
18	1010961	(003709-008499 )	Hose, Hyd	1
762483	<del>762456</del>	(000000-008499 )	Fitting, str	2
20	762446	(000000-008499 )	Ftg-Hyd, E90	1
21	762448	(000000-008499 )	Ftg-Hyd, Plug	1
22	768593	(000000-008499 )	Sensor, Magnetic Pickup	1
23	764045	(000000-008499 )	Cable, Engine Speed	1
24	1012546	(000000-008499 )	Bracket, Cable, Throttle Na	1
25	1007779	(000000-008499 )	Bracket, Throttle Cable Turbo	1
26	1011122	(000000-008499 )	Fitting, str	1
27	17414	(000000-008499 )	Fitting, str	1
28	768627	(000000-008499 )	Sending Unit	1
29	372216	(000000-008499 )	Adaptor, Filter, Oil, Eng, Remote	1
30	372217	(000000-008499 )	Gasket, Adaptor, Filter, Oil	1
31	761292	(000000-008499 )	Clevi & Spring Assy .250	1
32	761293	(000000-008499 )	Clevi & Spring Assy .188	1
33	372218	(000000-008499 )	Flywheel	1
34	16931	(000000-008499 )	Screw, Hex, M8 X 1.25 X 20, 8.8	2
35	32492	(000000-008499 )	Washer, Flat, 0.38 Std	1
36	372219	(000000-008499 )	Housing, Flywheel	1
37	1010963	(000000-008499 )	Fitting, str	2
38	372227	(000000-008499 )	Connector, Shutoff, Fuel	2
39	41346	(000000-008499 )	Hex Scr M12	16
40	763043	(000000-008499 )	Washer M12 belle	16
41	06974	(000000-008499 )	Hex Scr M12	4
42	32486	(000000-008499 )	Washer Ftg .50	4
43	08711	(000000-008499 )	Nyloc M12	6
44	1007462	(000000-008499 )	Bracket, Stop	1
45	06968	(000000-008499 )	Screw, Hex, M12 X 1.75 X 35, 8.8	2
46	32493	(000000-008499 )	Washer, Flat, 0.50 Std	2
47	760757	(000000-008499 )	Rod, Thrld, Full, M12x1.75 03.5l	1
48	763061	(000000-008499 )	Bumper, Engine Door	1
49	39313	(000000-008499 )	Nut, Hex, Std, M12 X 1.75	2

Fig. 12 - Engine and Mount Group (000000-008499)

Ref.	Part No.	Serial Number	Description	Qty.	
50	1006624	(000000-008499 )	Support Wldt, Eng	1	
51	1011730	(000000-008499 )	Tube, Assembly	1	
52	1011918	(000000-008499 )	Gasket	1	
53	1011922	(000000-008499 )	Strap, Sppt, Oil Fill	1	
54	22297	(000000-008499 )	Clamp, Hose, Wormdrive, 1.56-2.50d	1	
55	762165	(000000-008499 )	Fitting, Hyd, Cap	1	
56	1011945	(000000-008499 )	Label, Oil Fill	1	
▽	57	372229	(000000-008499 )	Kit, Plate, Mtg, Pump	1
▲	58	372228	(000000-008499 )	Kit, Cplg, Flywheel	1
▲	59	1031501	(000000-008499 )	Mount Plate W/Bolts	1
▲	60	1031502	(000000-008499 )	Hsng Bolt Kit	1
	61	39811	(000000-008499 )	Screw, Hex, .50-13 X 1.50, 5	2
	62	763043	(000000-008499 )	Washer, Belleville, M12	2
	63	54396	(000000-008499 )	Screw, Hex, .31-18 X 0.75, 5	4
	64	763041	(000000-008499 )	Washer, Belleville, M08	4



Fig. 13 - Engine and Mount Group (008500- )

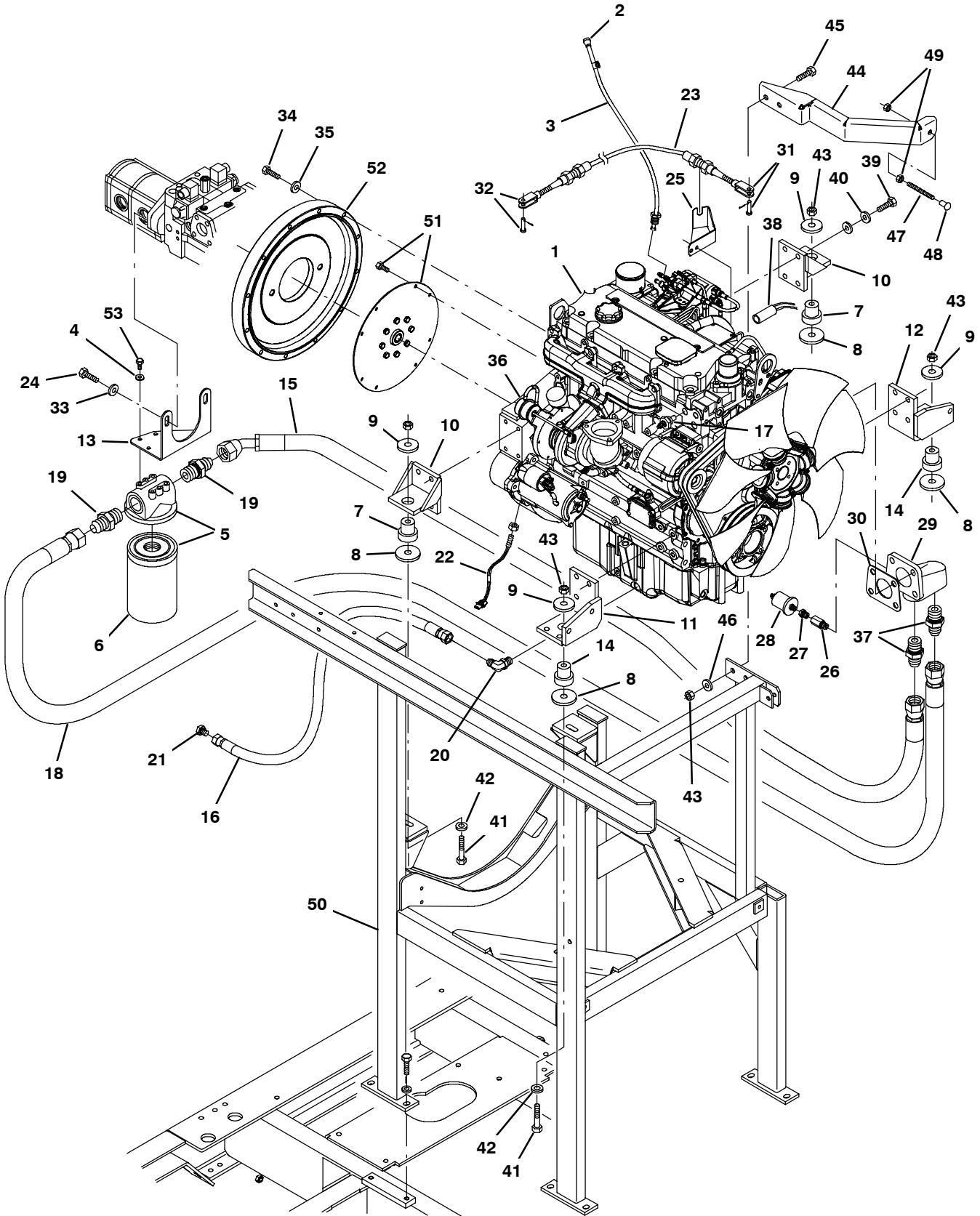




Fig. 13 - Engine and Mount Group (008500- )

Ref.	Part No.	Serial Number	Description	Qty.	
1	1040660	(008500-	) Engine, Dsl, 99hp, Turbo [Cat 4.4 08]	1	
2	1046895	(008500-	) Dipstick, Oil [Sentinel 08]	1	
3	1047100	(008500-	) Tube, Dipstick	1	
4	1047097	(008500-	) Vr, Nut, Tube, Dipstick	1	
▽	5	1011195	(008500-	) Remote Oil Filter Assy	1
▲	6	1011194	(008500-	) Filter Element, Oil	1
7	764015	(008500-	) Isolator, Mtg, Flywheel, Orange	2	
8	764071	(008500-	) Washer, Special	4	
9	764070	(008500-	) Washer, Special	4	
10	764009	(008500-	) Support, Engine Flywheel	2	
11	764011	(008500-	) Support, Eng Fan, Side, Front	1	
12	764012	(008500-	) Support, Engine Fan Side Rear	1	
13	1010833	(008500-	) Bracket, Remote Oil Filter	1	
14	764014	(008500-	) Isolator, Mtg, Fan, Side	2	
15	1010962	(008500-	) Hose, Hyd	1	
16	762409	(008500-	) Hose, Hyd	1	
17	767648	(008500-	) Sensor, Temp, Water, 0.50Nptf 300 Deg	1	
18	1010961	(008500-	) Hose, Hyd	1	
762483	19	<del>762456</del>	(008500-	) Fitting, str	2
20	762446	(008500-	) Ftg-Hyd, E90	1	
21	762448	(008500-	) Ftg-Hyd, Plug	1	
22	768593	(008500-	) Sensor, Magnetic Pickup	1	
23	764045	(008500-	) Cable, Engine Speed	1	
24	39811	(008500-	) Screw, Hex, .50-13 X 1.50, G5	2	
25	1007779	(008500-	) Bracket, Throttle Cable Turbo	1	
26	1011122	(008500-	) Fitting, str	1	
27	17414	(008500-	) Fitting, str	1	
28	768627	(008500-	) Sending Unit	1	
29	372216	(008500-	) Adaptor, Filter, Oil, Eng, Remote	1	
30	372217	(008500-	) Gasket, Adaptor, Filter, Oil	1	
31	761292	(008500-	) Clevis & Spring Assy .250	1	
32	761293	(008500-	) Clevis & Spring Assy .188	1	
33	763043	(008500-	) Washer, Flat, Belleville, M12	2	
34	06963	(008500-	) Screw, Hex, M10 X 1.50 X 60, 8.8	12	
35	32485	(008500-	) Washer, Flat, 0.38, Sae	12	
36	372219	(008500-	) Housing, Flywheel	1	
37	1010963	(008500-	) Fitting, str	2	
38	372227	(008500-	) Connector, Shutoff, Fuel	2	
39	41346	(008500-	) Hex Scr M12	16	
40	763043	(008500-	) Washer M12 belle	16	
41	06974	(008500-	) Hex Scr M12	4	
42	32486	(008500-	) Washer Ftg .50	4	
43	08711	(008500-	) Nyloc M12	6	
44	1007462	(008500-	) Bracket, Stop	1	
45	06968	(008500-	) Screw, Hex, M12 X 1.75 X 35, 8.8	2	
46	32493	(008500-	) Washer, Flat, 0.50 Std	2	
47	760757	(008500-	) Rod, Thrd, Full, M12x1.75 03.5l	1	
48	763061	(008500-	) Bumper, Engine Door	1	
49	39313	(008500-	) Nut, Hex, Std, M12 X 1.75	2	

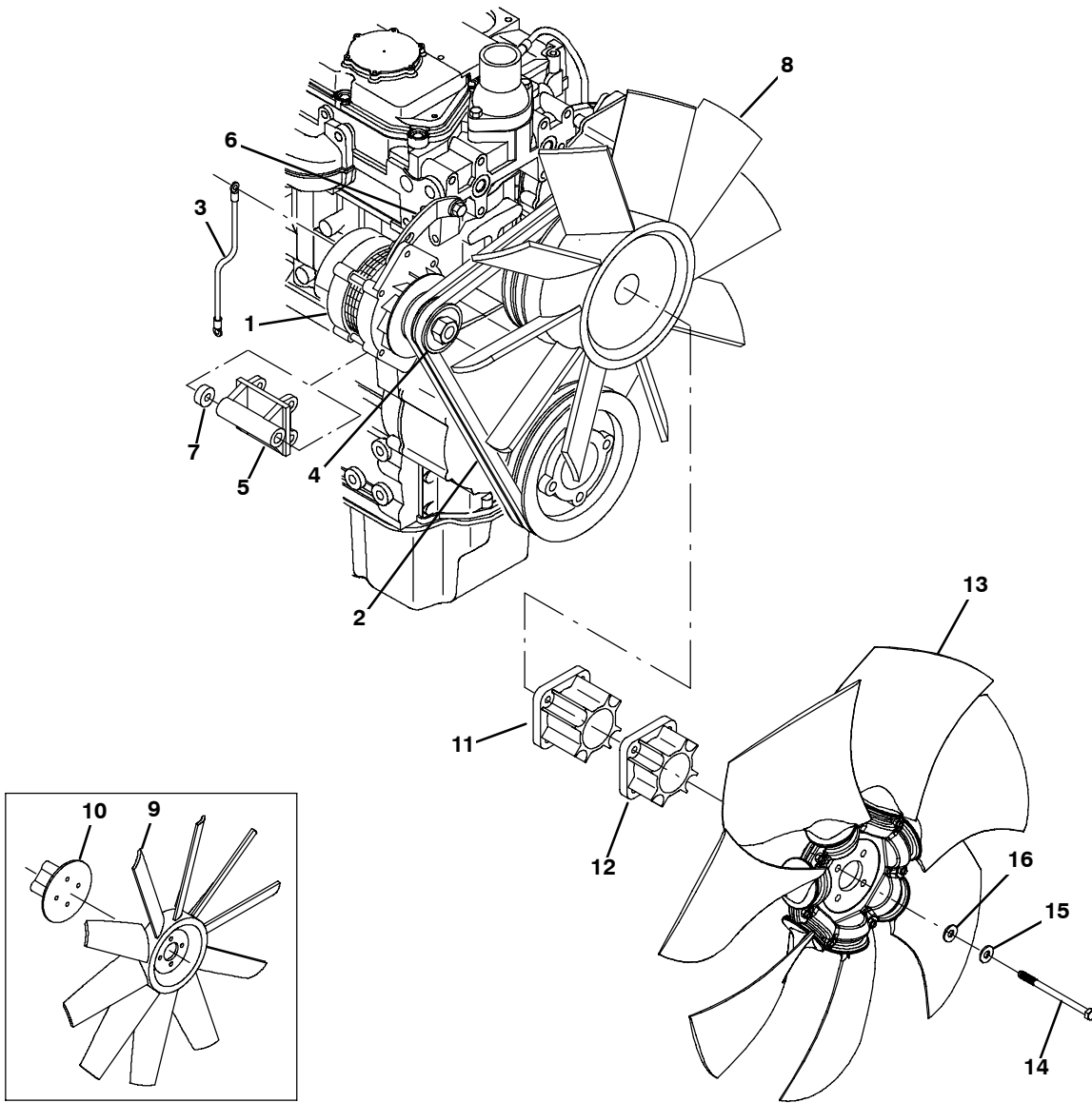
**Fig. 13 - Engine and Mount Group (008500- )**

<b>Ref.</b>	<b>Part No.</b>	<b>Serial Number</b>	<b>Description</b>	<b>Qty.</b>
50	1006624	(008500-	) Support Wldt, Eng	1
51	1043568	(008500-	) Coupling Kit, Flywheel [Cat 4.4 08]	1
52	1043567	(008500-	) Plate, Mtg, Housing [Cat 4.4 08]	1
53	54396	(008500-	) Screw, Hex, .31-18 X 0.75, G5	4
54	763041	(008500-	) Washer, Flat, Belleville, M8	4



# STANDARD PARTS

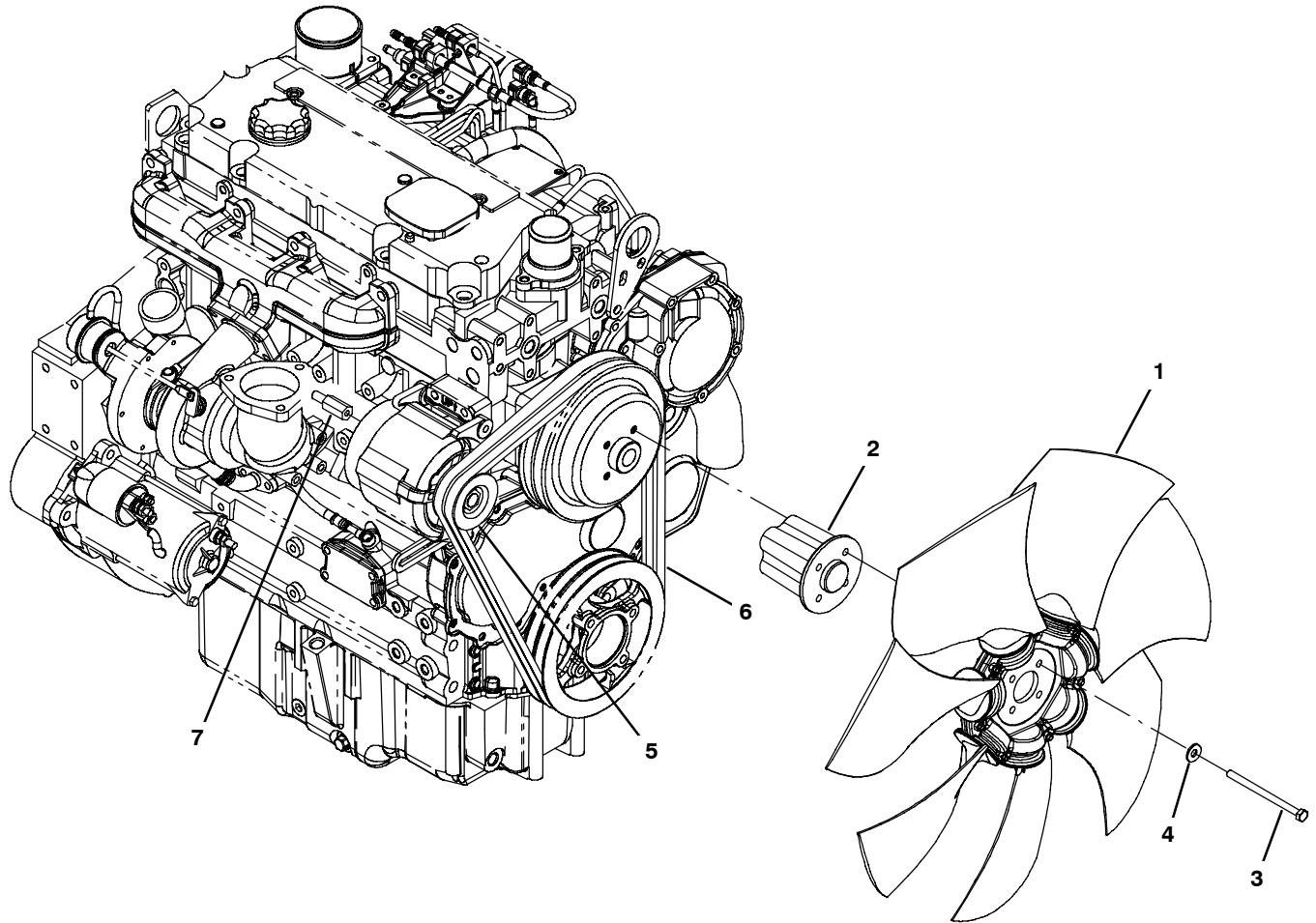
Fig. 14 - Engine Alternator Group (000000-008499)



354108

Ref.	Part No.	Serial Number	Description	Qty.
1	1011181	(000000-008499 )	Alternator	1
2	372220	(000000-008499 )	Belt, Fan	2
3	372221	(000000-008499 )	Wire, Ground	1
4	372222	(000000-008499 )	Pulley, Alternator	1
5	372223	(000000-008499 )	Bracket, Mtg, Alternator	1
6	372224	(000000-008499 )	Strap, Sppt, Alternator	1
7	372225	(000000-008499 )	Spacer, .38ID X .38L	1
8	372226	(000000-008499 )	Kit, Fan, 20.0 (NA)	1
9	9000522	(000000-007259 )	Fan Kit, Eng, Turbo, Replmt [Sentinel]	1
10	372233	(000000-007259 )	Spacer Extn, Fan 2.5 (turbo)	1
11	1043982	(007260-008499 )	Spacer, Fan, 2.00 Inch	1
12	1043984	(007260-008499 )	Spacer, Fan, 1.50 Inch	1
13	1036697	(007260-008499 )	Fan, [Sickle], Eng, Turbo [Sentinel]	1
14	49883	(007260-008499 )	Screw, Hex, M8 X 1.25 X 120, 8.8, FI	4
15	32490	(007260-008499 )	Washer, Flat, 0.25, Std	4
16	763041	(007260-008499 )	Washer, Flat, Belleville, M8	4

Fig. 15 - Engine Alternator Group (008500- )



354806

Ref.	Part No.	Serial Number	Description	Qty.
1	1048297	(008500- )	Fan, Cooling, 24.0d, 7 Blade [Sentl 08]	1
2	1046979	(008500- )	Spacer, Fan [Sentinel 08]	1
3	49883	(008500- )	Screw, Hex, M8 X 1.25 X 120, 8.8, FI	4
4	32491	(008500- )	Washer, Flat, 0.31, Std	4
5	1046936	(008500- )	Sheave, Alternator [Sentinel 08]	1
6	1047590	(008500- )	Belt, V, 50.0l [Ax53]	1
7	1046447	(008500- )	Stand-Off, Hex, M8 X M6, Metal	1

**Fig. 16 - Engine Fuel Tank and Lines Group (000000-008499)**

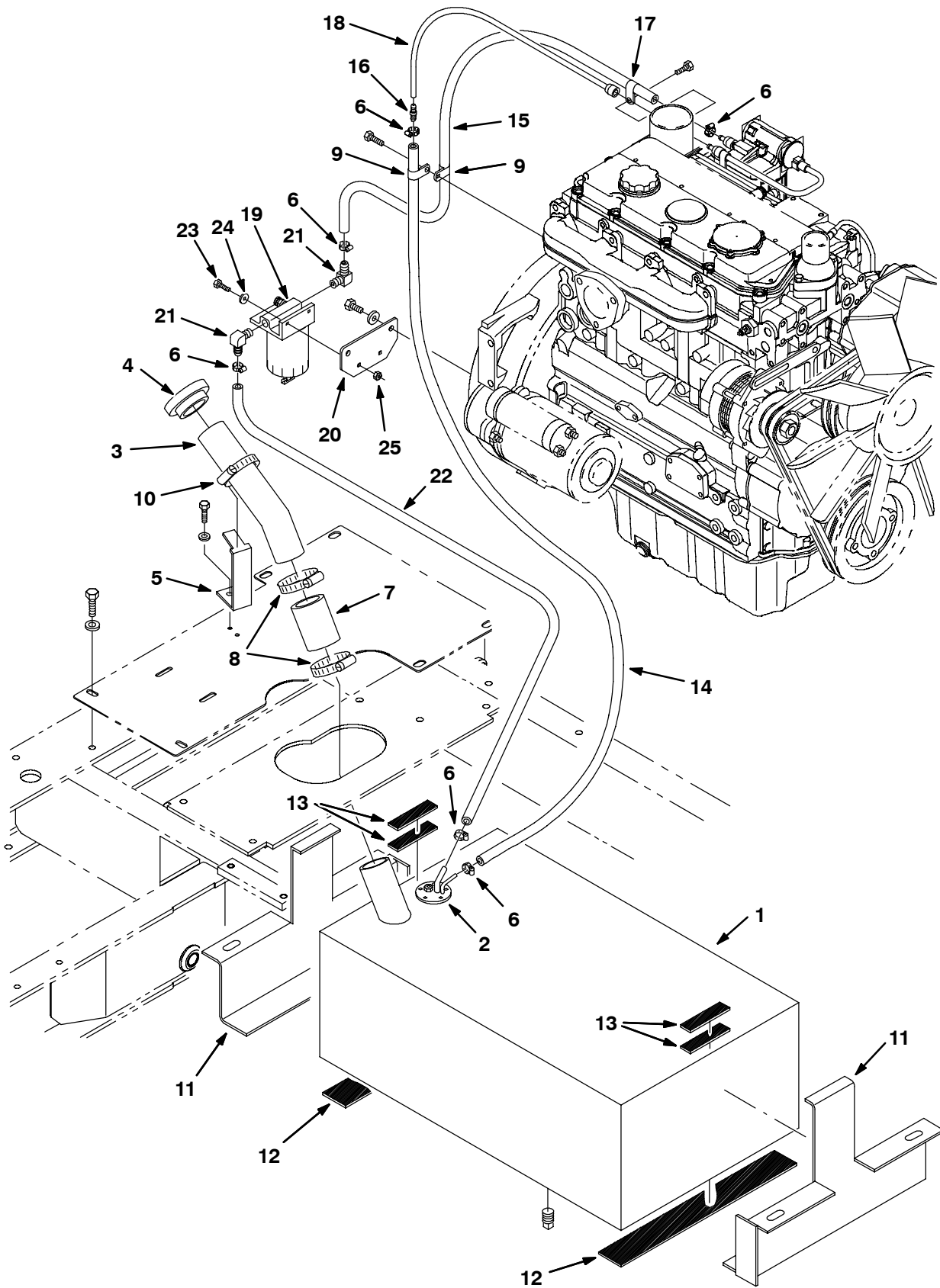


Fig. 16 - Engine Fuel Tank and Lines Group (000000-008499)

	Ref.	Part No.	Serial Number	Description	Qty.
▽	1	764002	(000000-008499 )	Fuel Tank	1
▲	2	764064	(000000-008499 )	Sending Unit,Fuel Tank	1
	3	761035	(000000-008499 )	Filler, Neck, Fuel Tank	1
	4	761036	(000000-008499 )	Cap, Tank, Fuel, Filler	1
	5	764087	(000000-008499 )	Bracket,Filler Tube	1
	6	43844	(000000-008499 )	Clamp-Wormdrive, 0.25- 0.62D	6
	7	764090	(000000-008499 )	Hose,Fuel Fill 2.25X3.75In Lg	1
	8	22297	(000000-008499 )	Clamp-Wormdrive, 1.56- 2.50D L	2
	9	82829	(000000-008499 )	Clamp	2
	10	14432	(000000-008499 )	Clamp-Wormdrive, 1.81- 2.75D	1
	11	764126	(000000-008499 )	Bracket Weldt	2
	12	764129	(000000-008499 )	Strip, Rubber, Long	2
	13	764139	(000000-008499 )	Strip, Rubber, Short	4
	14	1007707	(000000-008499 )	Hose .25 .ID	1
	15	1012161	(000000-008499 )	Hose, Fuel, .31id 39.0l	1
	16	1007814	(000000-008499 )	Fitting, Hyd, .25brb / .25brb	1
	17	67767	(000000-008499 )	Clamp	1
	18	1012316	(000000-008499 )	Fuelline Kit, Nyl	1
▽	19	1016827	(000000-008499 )	Filter Assy, Fuel, Dsl	1
▲		1017826	(000000-008499 )	Filter, Fuel, Element	1
	20	1011992	(000000-008499 )	Plate, Mtg, Fuel Filter	1
	21	1012159	(000000-008499 )	Fitting, Brs, E90, Bm05/Pm04	2
	22	1012160	(000000-008499 )	Hose, Fuel, .31id 24.0l	1
	23	06944	(000000-008499 )	Screw, Hex, M6 X 1.0 X 25, 8.8	2
	24	32490	(000000-008499 )	Washer, Flat, 0.25 Std	2
	25	08708	(000000-008499 )	Nut, Hex, Lock, M 6 X 1.0, NI	2

Fig. 17 - Engine Fuel Tank and Lines Group (008500- )

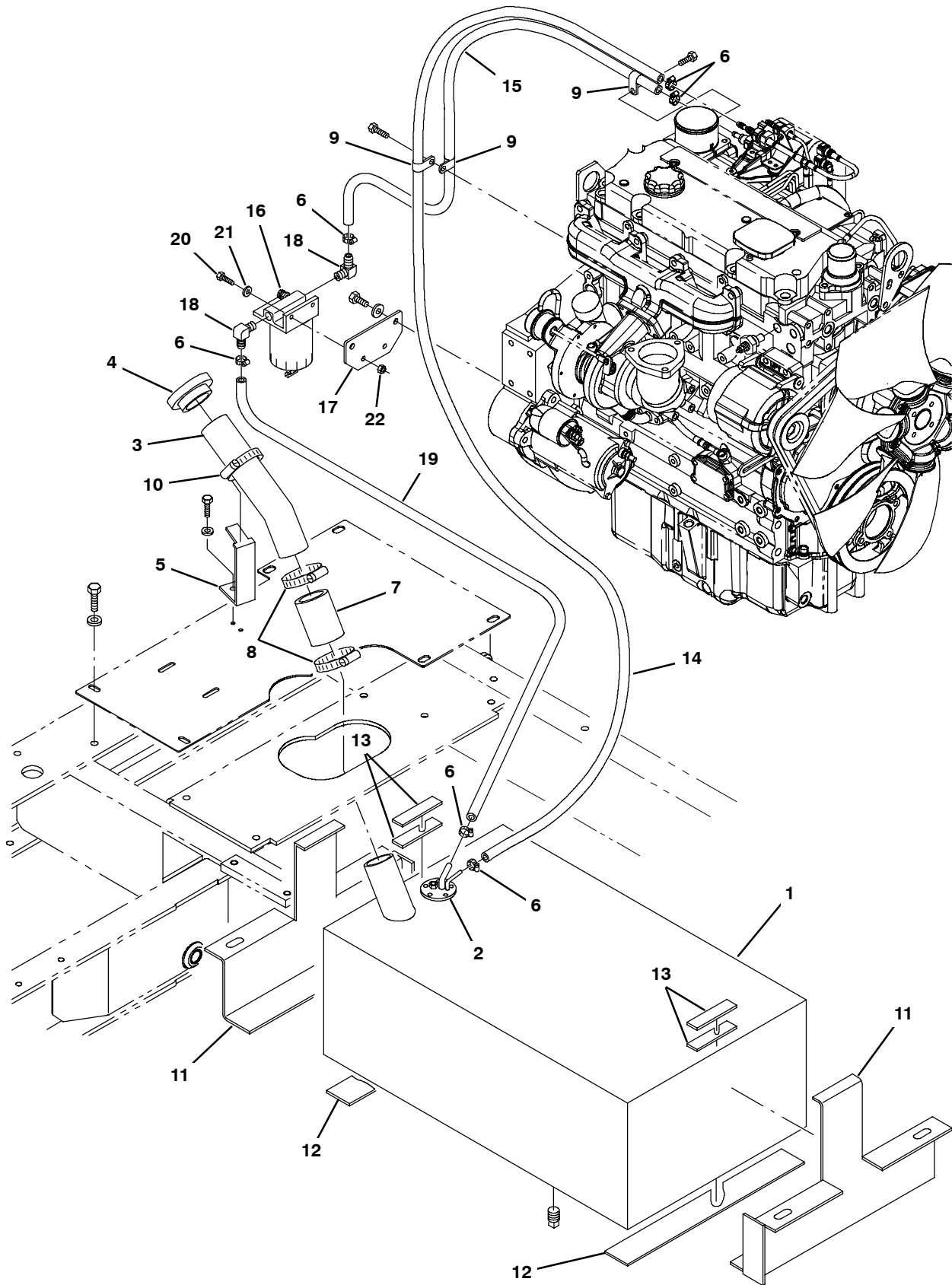




Fig. 17 - Engine Fuel Tank and Lines Group (008500- )

	Ref.	Part No.	Serial Number	Description	Qty.
▽	1	764002	(008500- )	Fuel Tank	1
▲	2	764064	(008500- )	Sending Unit, Fuel Tank	1
	3	761035	(008500- )	Filler, Neck, Fuel Tank	1
	4	761036	(008500- )	Cap, Tank, Fuel, Filler	1
	5	764087	(008500- )	Bracket, Filler Tube	1
	6	43844	(008500- )	Clamp-Wormdrive, 0.25- 0.62D	6
	7	764090	(008500- )	Hose, Fuel Fill 2.25X3.75In Lg	1
	8	22297	(008500- )	Clamp-Wormdrive, 1.56- 2.50D L	2
	9	82829	(008500- )	Clamp	3
	10	14432	(008500- )	Clamp-Wormdrive, 1.81- 2.75D	1
	11	764126	(008500- )	Bracket Weldt	2
	12	764129	(008500- )	Strip, Rubber, Long	2
	13	764139	(008500- )	Strip, Rubber, Short	4
	14	1007707	(008500- )	Hose .25 .ID	1
	15	1012161	(008500- )	Hose, Fuel, .31id 39.0l	1
▽	16	1047133	(008500- )	Separator, Fltr [Cat] (Comes with the engine)	1
▲		9004937	(008500- )	Element, Fltr [Cat 08] (Comes with the engine)	1
	17	1011992	(008500- )	Plate, Mtg, Fuel Filter	1
	18	1012159	(008500- )	Fitting, Brs, E90, Bm05/Pm04	2
	19	1012160	(008500- )	Hose, Fuel, .31id 24.0l	1
	20	06944	(008500- )	Screw, Hex, M6 X 1.0 X 25, 8.8	2
	21	32490	(008500- )	Washer, Flat, 0.25 Std	2
	22	08708	(008500- )	Nut, Hex, Lock, M 6 X 1.0, NI	2

**Fig. 18 - Engine Radiator and Hydraulic Cooler Group, NA (000000-008499)**

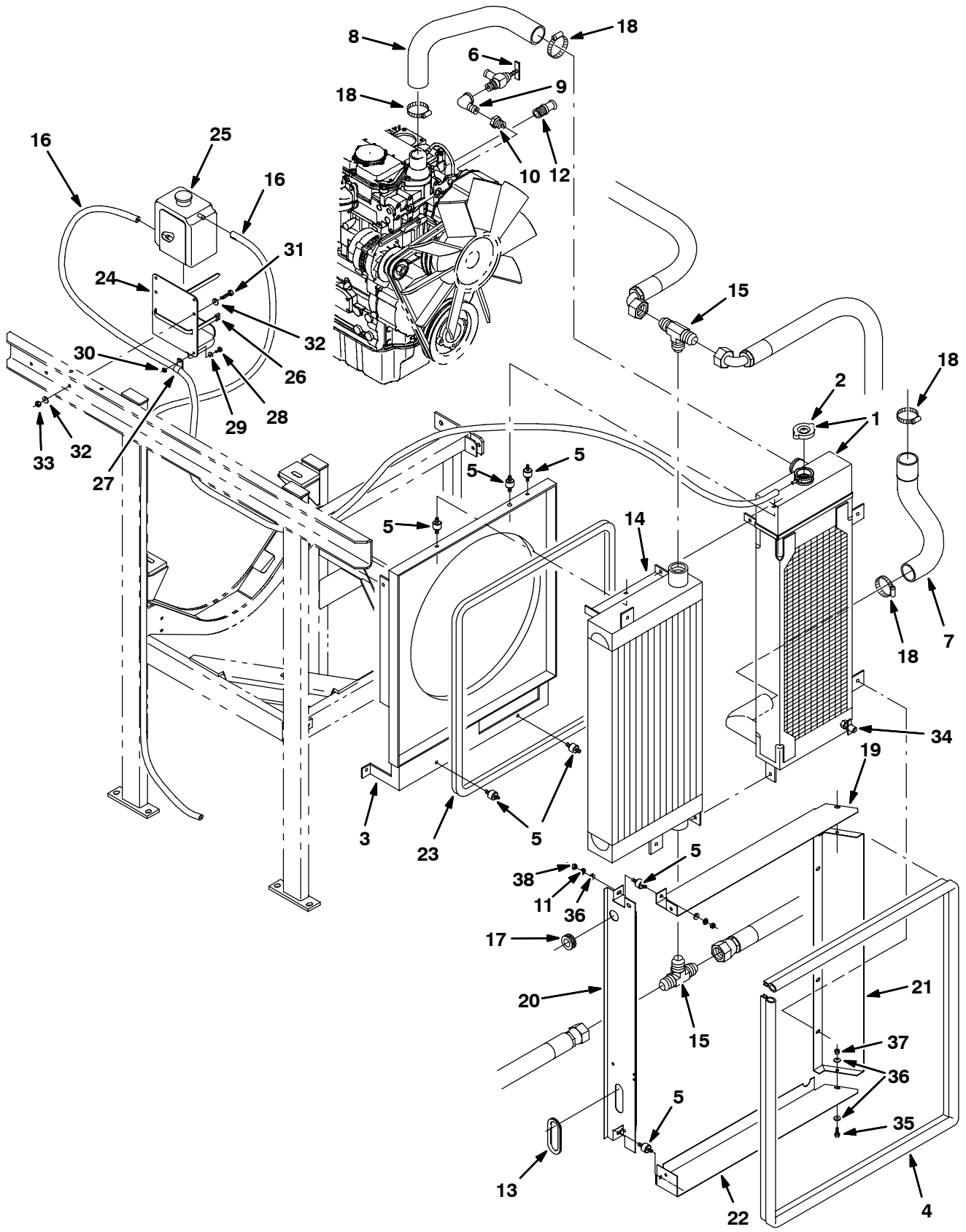


Fig. 18 - Engine Radiator and Hydraulic Cooler Group, NA (000000-008499)

Ref.	Part No.	Serial Number	Description	Qty.
▽	1	1018901	(000000-008499 ) Radiator, Alm, 362mm	1
▲	2	1032822	(000000-008499 ) Cap, Radiator, 07psi	1
		770172	(000000-008499 ) Fluid, Conditioner, Coolant, 16oz (Mandatory)	1
	3	1018902	(000000-008499 ) Support, Radiator [Sentinel]	1
	4	760565	(000000-008499 ) Seal,Bulb	2
	5	82661	(000000-008499 ) Isolator-Vibration .25-20	7
	6	764183	(000000-008499 ) Fitting, Draincock, E90 Pm06	1
	7	1007630	(000000-008499 ) Hose, Radiator, Lower	1
	8	1007497	(000000-008499 ) Hose, Radiator, Upper	1
	9	17400-18	(000000-008499 ) Fitting, Pipe, E90, Pm06/Pf06	1
	10	47167	(000000-008499 ) Fitting, Brs, Str, Pm08/Pf06	1
	11	32982	(000000-008499 ) Washer, Lock, Int, .25	4
	12	1009526	(000000-008499 ) Fitting, Hyd, Brb	1
	13	62595	(000000-008499 ) Molding, Trim, Pvc,.08-.11 07.71	2
	14	1018900	(000000-008499 ) Cooler, Hyd	1
	15	762415	(000000-008499 ) Fitting, Hyd, Tee, Fm16/Om16/Fm16	2
	16	766417	(000000-008499 ) Hose, Overflow, Radiator	1
	17	10632-14	(000000-008499 ) Grommet, Rbr, 1.00id, F/ 1.4h, .12matl	1
	18	14432	(000000-008499 ) Clamp, Hose, Wormdrive, 1.81-2.75D	4
	19	766044	(000000-008499 ) Shroud, Radiator, Upper	1
	20	766046	(000000-008499 ) Shroud, Radiator, L.H.	1
	21	766042	(000000-008499 ) Shroud, Radiator, R.H.	1
	22	766043	(000000-008499 ) Shroud, Radiator, Lower	1
	23	764025	(000000-008499 ) Seal, Bulb, Str, 0.58 .06-.09Grip108.0L	1
	24	768896	(000000-008499 ) Bracket, Coolant Overflow	1
	25	768897	(000000-008499 ) Tank, Hyd, 2.5 Qt Vol	1
	26	32815	(000000-008499 ) Tie, Cable, Nyl, 28.5l .50w 8.0 Max D	1
	27	69234	(000000-008499 ) Clamp, Cable, Stl, 1.00d X 0.62w, 1h	1
	28	06944	(000000-008499 ) Screw, Hex, M06 X 1.0 X 25, 8.8	1
	29	32483	(000000-008499 ) Washer, Flt, .25 Sae	1
	30	08708	(000000-008499 ) Nut, Hex, Lock, M06 X 1.0, NI	1
	31	76570	(000000-008499 ) Screw Hex M08	4
	32	32491	(000000-008499 ) Washer Flt .31	4
	33	08709	(000000-008499 ) Nut, Hex Lock M08	4
	34	51305	(000000-008499 ) Fitting, Draincock, .25npt 90	1
	35	16931	(000000-008499 ) Screw, Hex, M8 X 1.25 X 20, 8.8	4
	36	32490	(000000-008499 ) Washer, Flat, 0.25 Std	12
	37	08709	(000000-008499 ) Nut, Hex, Lock, M8 X 1.25, NI	4
	38	19312	(000000-008499 ) Nut, Hex, Std, .25-20	4

# STANDARD PARTS

Fig. 19 - Engine Radiator and Hydraulic Cooler Group, Turbo (000000-008499)

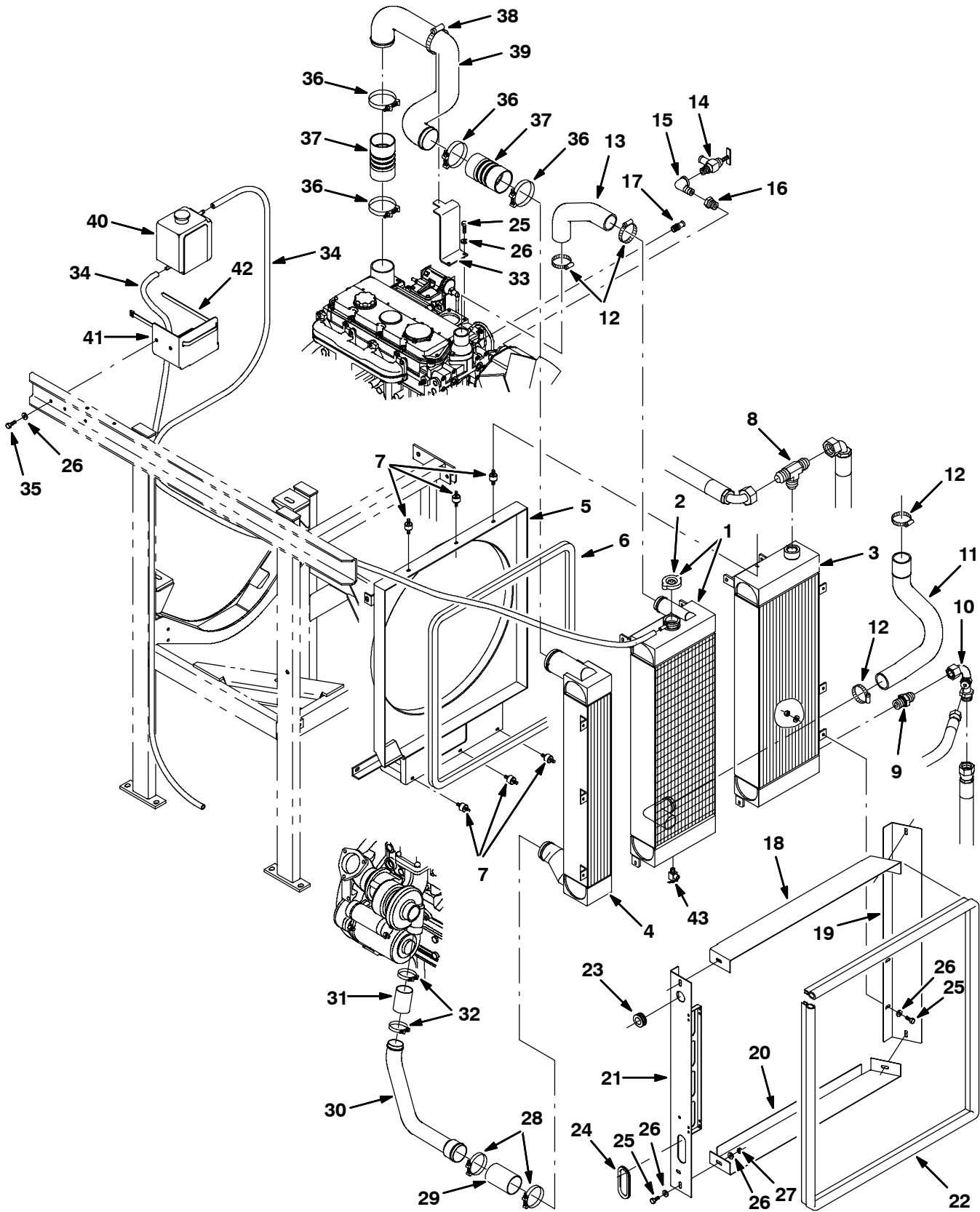


Fig. 19 - Engine Radiator and Hydraulic Cooler Group, Turbo (000000-008499)

Ref.	Part No.	Serial Number	Description	Qty.
▽ 1	1018903	(000000-008499 )	Radiator, Turbo [Sentinel]	1
▲ 2	1032822	(000000-008499 )	Cap, Radiator, 07psi	1
	770172	(000000-008499 )	Fluid, Conditioner, Coolant, 16oz (Mandatory)	1
3	1018904	(000000-008499 )	Cooler, Hyd, Turbo	1
4	1018905	(000000-008499 )	Cooler, Air, Turbo [Sentinel]	1
5	1018906	(000000-008499 )	Shroud, Radiator, Turbo [Sentinel]	1
6	764025	(000000-008499 )	Seal, Bulb, Str, 0.58 .06-.09Grip108.0L	1
7	82661	(000000-008499 )	Isolator, Vib, Ring, 1.0DD .25	6
8	762415	(000000-008499 )	Fitting, Hyd, Tee, Fm16/Om16/Fm16	1
9	762481	(000000-008499 )	Fitting, Hyd, Str, Om16/Fm16	1
10	771073	(000000-008499 )	Tube, Hyd, Inlet, Cooler	1
11	1008308	(000000-008499 )	Hose, Radiator, Lower, Turbo	1
12	22297	(000000-008499 )	Clamp, Hose, Wormdrive, 1.56-2.50D	4
13	1008317	(000000-008499 )	Hose, Radiator, Upper, Turbo	1
14	764183	(000000-008499 )	Fitting, Draincock, E90 Pm06	1
15	17400-18	(000000-008499 )	Fitting, Pipe, E90, Pm06/Pf06	1
16	47167	(000000-008499 )	Fitting, Brs, Str, Pm08/Pf06	1
17	1009526	(000000-008499 )	Fitting, Hyd, Brb	1
18	1008806	(000000-008499 )	Shroud, Radiator	1
19	1008784	(000000-008499 )	Shroud, Radiator	1
20	1008809	(000000-008499 )	Shroud, Radiator	1
21	1008816	(000000-008499 )	Shroud Wldt, Radiator	1
22	760565	(000000-008499 )	Seal, Bulb,Str, 0.75d .13grip 178.0l	1
23	10632-14	(000000-008499 )	Grommet, Rbr, 1.00id, F/ 1.4h, .12matl	1
24	62595	(000000-008499 )	Molding, Trim, Pvc,.08-.11 .07.7L	1
25	39277	(000000-008499 )	Screw, Hex, M8 X 1.25 X 25, 8.8	12
26	32491	(000000-008499 )	Washer, Flat, 0.31 Std	24
27	08709	(000000-008499 )	Nut, Hex, Lock, M8 X 1.25, NI	10
28	311331	(000000-008499 )	Clamp, S.S., Spring & Screw, 65-75 Mm	2
29	1008303	(000000-008499 )	Sleeve, Connector	1
30	1007761	(000000-008499 )	Tube, Lower	1
31	1008302	(000000-008499 )	Sleeve, Connector	1
32	1009503	(000000-008499 )	Clamp, Hose, Spring, 50-60Mm	2
33	1007742	(000000-008499 )	Bracket, Eng	1
34	766417	(000000-008499 )	Hose, Overflow, Radiator	2
35	76570	(000000-008499 )	Screw, Hex, M8 X 1.25 X 30, 8.8	2
36	310667	(000000-008499 )	Clamp, S.S., Spring & Screw, 80-90 Mm	4
37	769208	(000000-008499 )	Hose, Turbo, 3.0 Dia	2
38	83584	(000000-008499 )	Clamp, Hose, Wormdrive, 1.31-3.25D	1
39	1007776	(000000-008499 )	Tube, Upper	1
40	768897	(000000-008499 )	Tank, Coolant, 06.0 04.5 06.9deep 2.5 Qt	1
41	1008130	(000000-008499 )	Bracket, Tank, Coolant	1
42	32815	(000000-008499 )	Tie, Cable, Nyl, 28.5l .50w 8.0 Max D	1
43	51305	(000000-008499 )	Fitting, Draincock, E90, .25npt	1

# STANDARD PARTS

Fig. 20 - Engine Radiator and Hydraulic Cooler Group, Turbo (008500- )

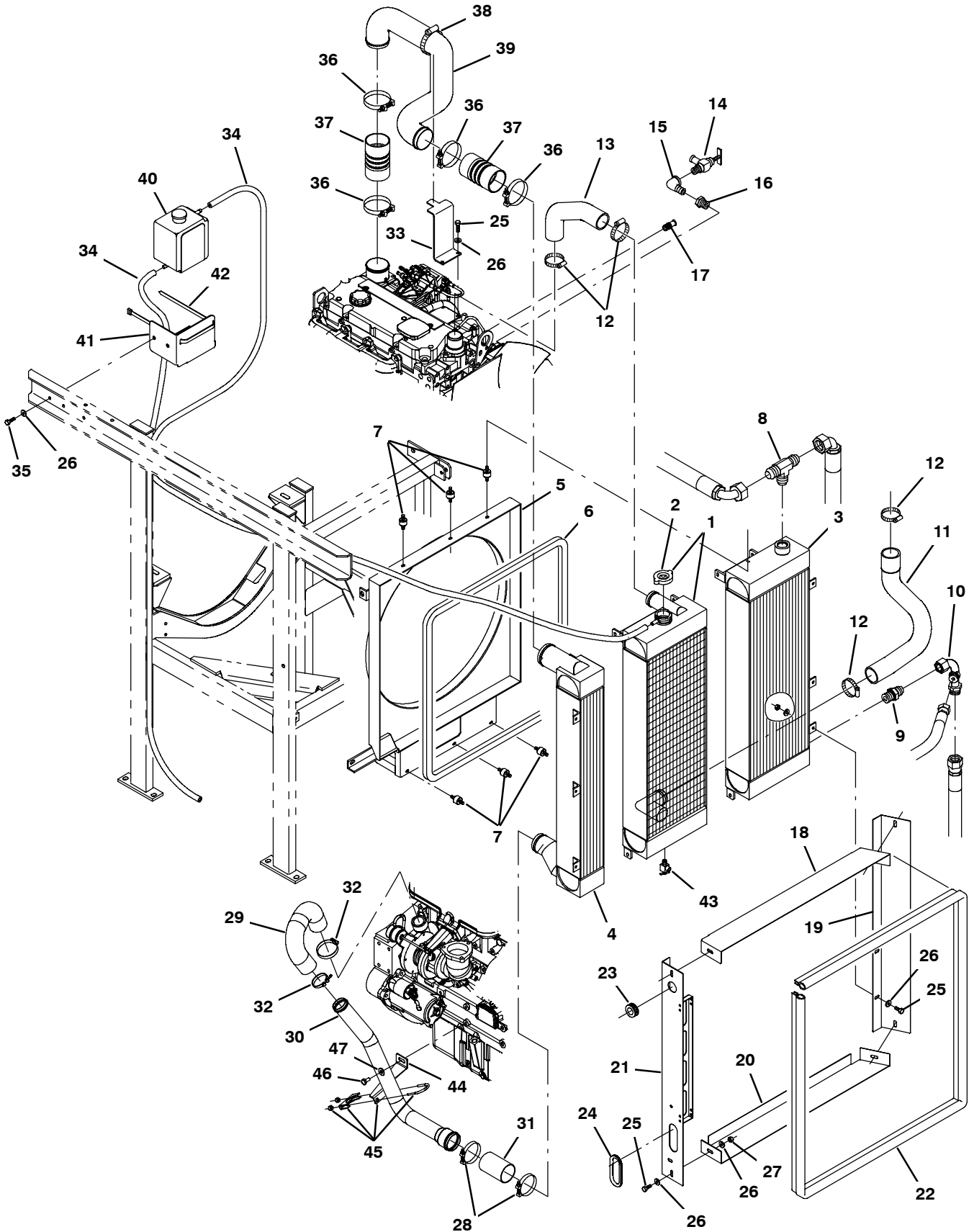


Fig. 20 - Engine Radiator and Hydraulic Cooler Group, Turbo (008500- )

Ref.	Part No.	Serial Number	Description	Qty.
▽ 1	1018903	(008500-	) Radiator, Turbo [Sentinel]	1
▲ 2	1032822	(008500-	) Cap, Radiator, 07psi	1
	770172	(008500-	) Fluid, Conditioner, Coolant, 16oz (Mandatory)	1
3	1018904	(008500-	) Cooler, Hyd, Turbo	1
4	1018905	(008500-	) Cooler, Air, Turbo [Sentinel]	1
5	1018906	(008500-	) Shroud, Radiator, Turbo [Sentinel]	1
6	764025	(008500-	) Seal, Bulb, Str, 0.58 .06-.09Grip108.0L	1
7	82661	(008500-	) Isolator, Vib, Ring, 1.0DD .25	6
8	762415	(008500-	) Fitting, Hyd, Tee, Fm16/Om16/Fm16	1
9	762481	(008500-	) Fitting, Hyd, Str, Om16/Fm16	1
10	771073	(008500-	) Tube, Hyd, Inlet, Cooler	1
11	1008308	(008500-	) Hose, Radiator, Lower, Turbo	1
12	22297	(008500-	) Clamp, Hose, Wormdrive, 1.56-2.50D	4
13	1008317	(008500-	) Hose, Radiator, Upper, Turbo	1
14	764183	(008500-	) Fitting, Draincock, E90 Pm06	1
15	17400-18	(008500-	) Fitting, Pipe, E90, Pm06/Pf06	1
16	47167	(008500-	) Fitting, Brs, Str, Pm08/Pf06	1
17	1009526	(008500-	) Fitting, Hyd, Brb	1
18	1008806	(008500-	) Shroud, Radiator	1
19	1008784	(008500-	) Shroud, Radiator	1
20	1008809	(008500-	) Shroud, Radiator	1
21	1008816	(008500-	) Shroud Wldt, Radiator	1
22	760565	(008500-	) Seal, Bulb,Str, 0.75d .13grip 178.0l	1
23	10632-14	(008500-	) Grommet, Rbr, 1.00id, F/ 1.4h, .12matl	1
24	62595	(008500-	) Molding, Trim, Pvc,.08-.11 .07.7L	1
25	39277	(008500-	) Screw, Hex, M8 X 1.25 X 25, 8.8	12
26	32491	(008500-	) Washer, Flat, 0.31 Std	24
27	08709	(008500-	) Nut, Hex, Lock, M8 X 1.25, NI	10
28	311331	(008500-	) Clamp, S.S., Spring & Screw, 65-75 Mm	2
29	1045982	(008500-	) Hose, 2.00id X 2.38d [Sentinel 08]	1
30	1045950	(008500-	) Tube, Air, Chrgr, Lower [Sentinel 08]	1
31	1008302	(008500-	) Sleeve, Connector	1
32	1009503	(008500-	) Clamp, Hose, Spring, 50-60Mm	2
33	1007742	(008500-	) Bracket, Eng	1
34	766417	(008500-	) Hose, Overflow, Radiator	2
35	76570	(008500-	) Screw, Hex, M8 X 1.25 X 30, 8.8	2
36	310667	(008500-	) Clamp, S.S., Spring & Screw, 80-90 Mm	4
37	769208	(008500-	) Hose, Turbo, 3.0 Dia	2
38	83584	(008500-	) Clamp, Hose, Wormdrive, 1.31-3.25D	1
39	1007776	(008500-	) Tube, Upper	1
40	768897	(008500-	) Tank, Coolant, 06.0 04.5 06.9deep 2.5 Qt	1
41	1008130	(008500-	) Bracket, Tank, Coolant	1
42	32815	(008500-	) Tie, Cable, Nyl, 28.5l .50w 8.0 Max D	1
43	51305	(008500-	) Fitting, Draincock, E90, .25npt	1
44	1046317	(008500-	) Bracket, Pipe, Air, Chrgr [Sentinel 08]	1
45	05881	(008500-	) Clamp, Muffler, 2.00d	1
46	06961	(008500-	) Screw, Hex, M10 X 1.50 X 20, 8.8	1
47	32492	(008500-	) Washer, Flat, 0.38, Std	1

Fig. 21 - Engine Muffler Group, NA (000000-008499)

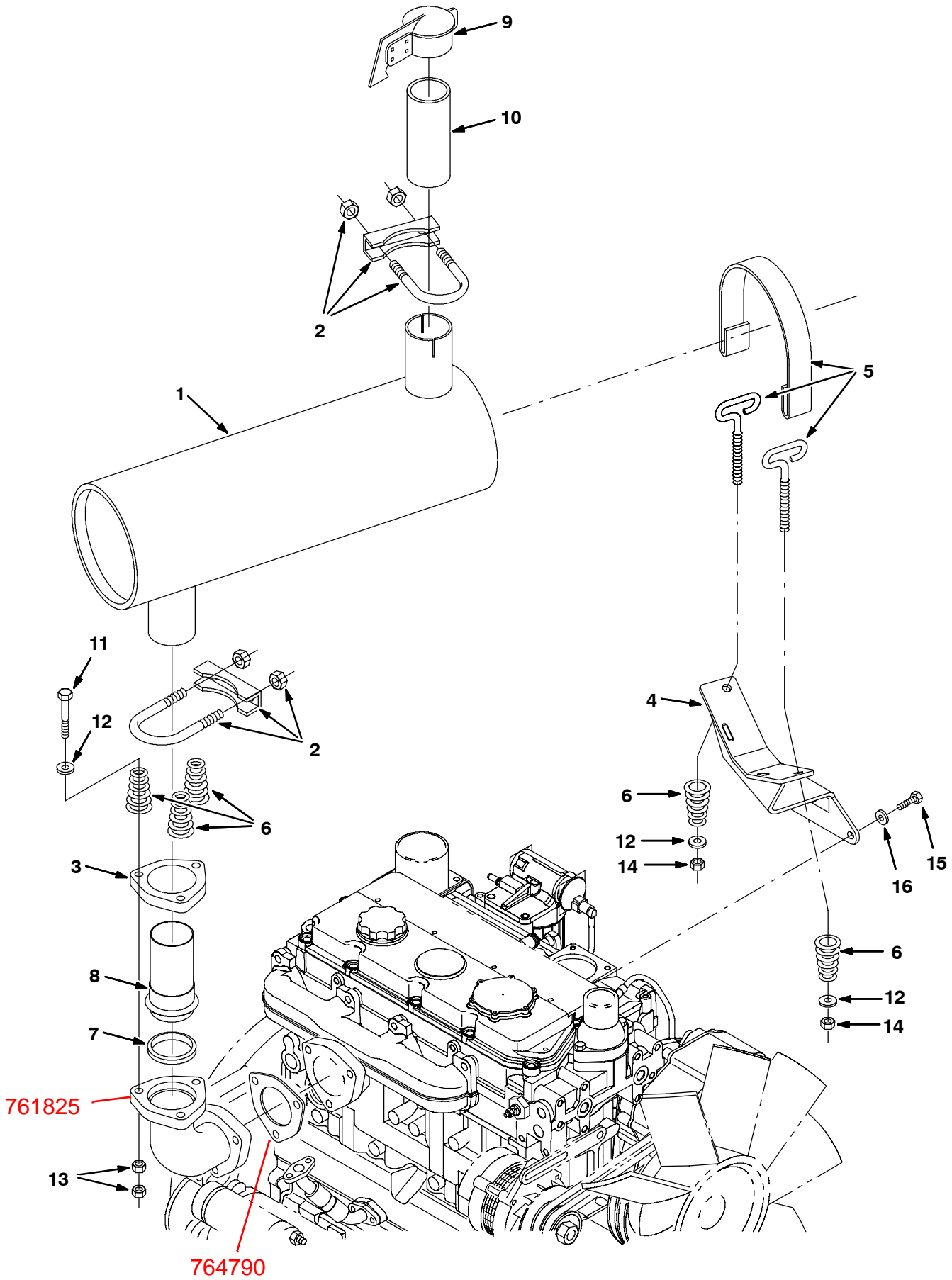




Fig. 21 - Engine Muffler Group, NA (000000-008499)

Ref.	Part No.	Serial Number	Description	Qty.
1	764077	(000000-008499 )	Muffler	1
2	764082	(000000-008499 )	Clamp, 2.5 Muffler	2
3	761824	(000000-008499 )	Flange, Exhaust	1
4	1007081	(000000-008499 )	Bracket Wldt, Muffler	1
5	764085	(000000-008499 )	Clamp,Muf 6-8 In	1
6	764098	(000000-008499 )	Spring,Exhaust	5
7	761826	(000000-008499 )	Ring, Seal	1
8	1007770	(000000-008499 )	Tube Wldt, Exhaust	1
9	764120	(000000-008499 )	Rain Cap, Exhaust	1
10	764123	(000000-008499 )	Tube, 2.5x6L	1
11	39279	(000000-008499 )	Screw, Hex, M8 X 1.25 X 70, 8.8	3
12	763042	(000000-008499 )	Washer, Belleville, M10	5
13	39311	(000000-008499 )	Nut, Hex, Std, M08 X 1.25	6
14	50902	(000000-008499 )	Nut, Hex, Lock, .38-16, NI	2
15	16931	(000000-008499 )	Screw, Hex, M8 X 1.25 X 20, 8.8	2
16	32491	(000000-008499 )	Washer, Flat, 0.31 Std	2

Fig. 22 - Engine Muffler Group, Turbo (000000-008499)

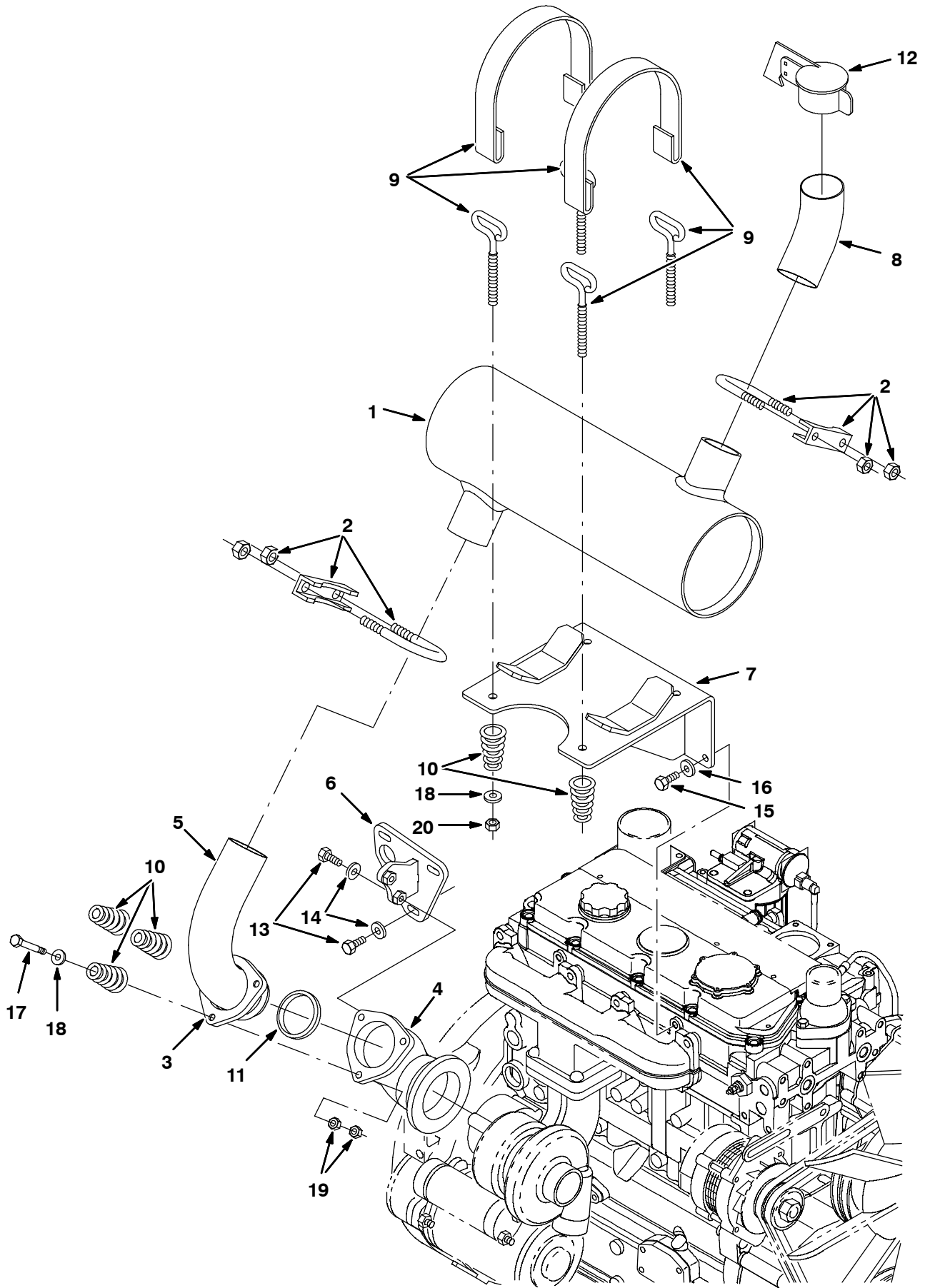


Fig. 22 - Engine Muffler Group, Turbo (000000-008499)

Ref.	Part No.	Serial Number	Description	Qty.
1	764077	(000000-008499 )	Muffler	1
2	764082	(000000-008499 )	Clamp, 2.5 Muffler	2
3	761824	(000000-008499 )	Flange, Exhaust	1
4	372230	(000000-008499 )	Fitting, Elbow, Exhaust	1
5	1008028	(000000-008499 )	Tube Wldt, Exhaust, 2.5 Od	1
6	1008101	(000000-008499 )	Bracket, Wldt, Turbo	1
7	1008018	(000000-008499 )	Bracket Wldt, Exhaust	1
8	1007833	(000000-008499 )	Tailpipe, Exhaust	1
9	764085	(000000-008499 )	Clamp, Muf 6-8 In	2
10	764098	(000000-008499 )	Spring, Exhaust	7
11	761826	(000000-008499 )	Ring, Seal	1
12	764120	(000000-008499 )	Rain Cap, Exhaust	1
13	03192	(000000-008499 )	Screw, Hex, M10 X 1.5 X 30, 8.8	5
14	32492	(000000-008499 )	Washer, Flat, 0.38 Std	5
15	39277	(000000-008499 )	Screw, Hex, M8 X 1.25 X 25, 8.8	2
16	32491	(000000-008499 )	Washer, Flat, 0.31 Std	2
17	39279	(000000-008499 )	Screw, Hex, M8 X 1.25 X 70, 8.8	3
18	763042	(000000-008499 )	Washer, Belleville, M10	7
19	39311	(000000-008499 )	Nut, Hex, Std, M08 X 1.25	6
20	50902	(000000-008499 )	Nut, Hex, Lock, .38-16, NI	4

Fig. 23 - Engine Muffler Group, Turbo (008500- )

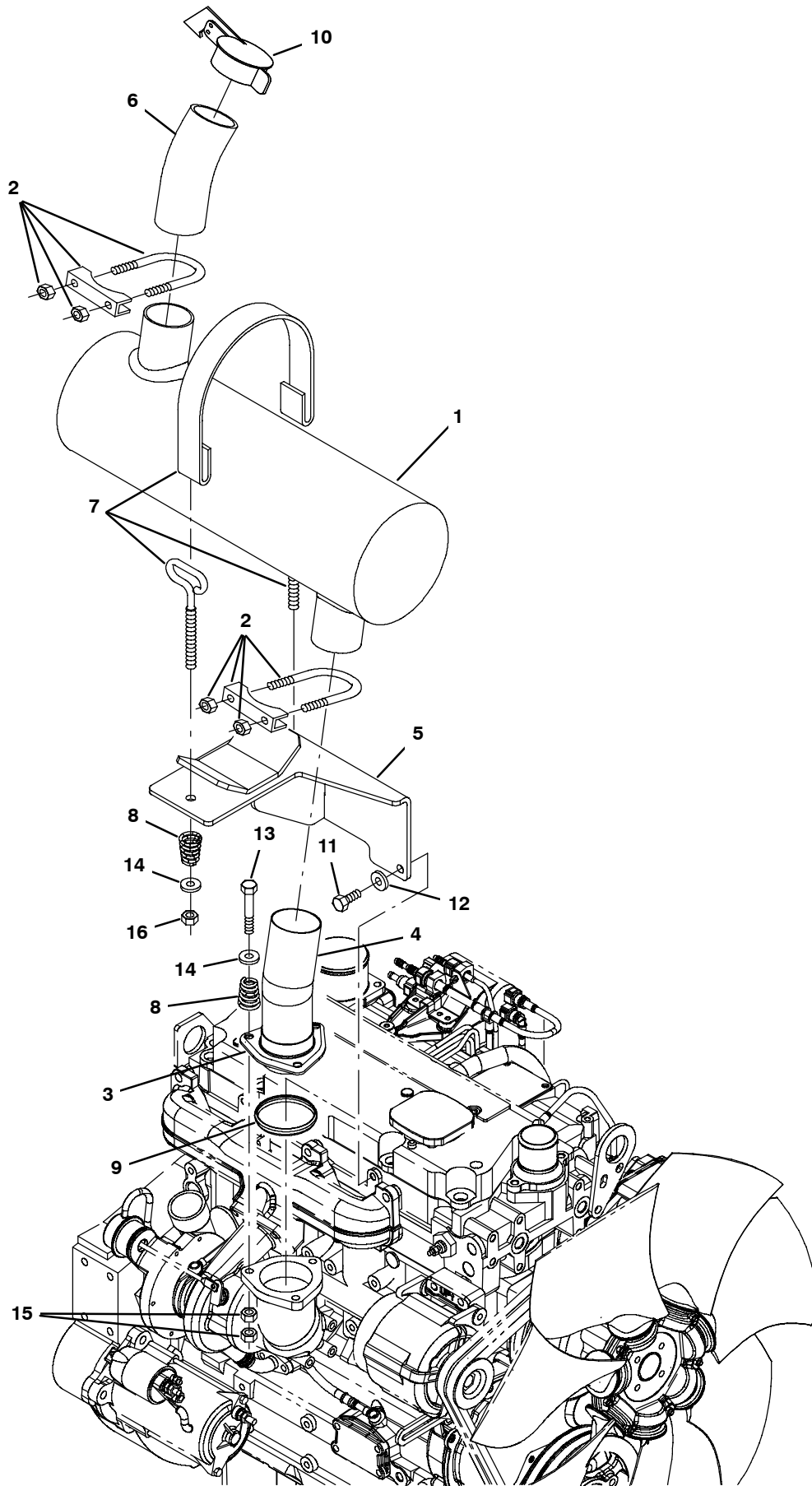


Fig. 23 - Engine Muffler Group, Turbo (008500- )

Ref.	Part No.	Serial Number	Description	Qty.
1	764077	(008500-	) Muffler	1
2	764082	(008500-	) Clamp, 2.5 Muffler	2
3	761824	(008500-	) Flange, Exhaust	1
4	1045977	(008500-	) Tube Wldt, Exhaust [Sentinel 08]	1
5	1047685	(008500-	) Bracket Wldt, Exhaust [Sentinel 08]	1
6	1007833	(008500-	) Tailpipe, Exhaust	1
7	764085	(008500-	) Clamp, Muf 6-8 In	1
8	764098	(008500-	) Spring, Exhaust	5
9	761826	(008500-	) Ring, Seal	1
10	764120	(008500-	) Rain Cap, Exhaust	1
11	39277	(008500-	) Screw, Hex, M8 X 1.25 X 25, 8.8	2
12	32491	(008500-	) Washer, Flat, 0.31 Std	2
13	39279	(008500-	) Screw, Hex, M8 X 1.25 X 70, 8.8	3
14	763042	(008500-	) Washer, Belleville, M10	5
15	39311	(008500-	) Nut, Hex, Std, M08 X 1.25	6
16	50902	(008500-	) Nut, Hex, Lock, .38-16, NI	2

**Fig. 24 - Engine Air Cleaner Group, NA (000000-008499)**

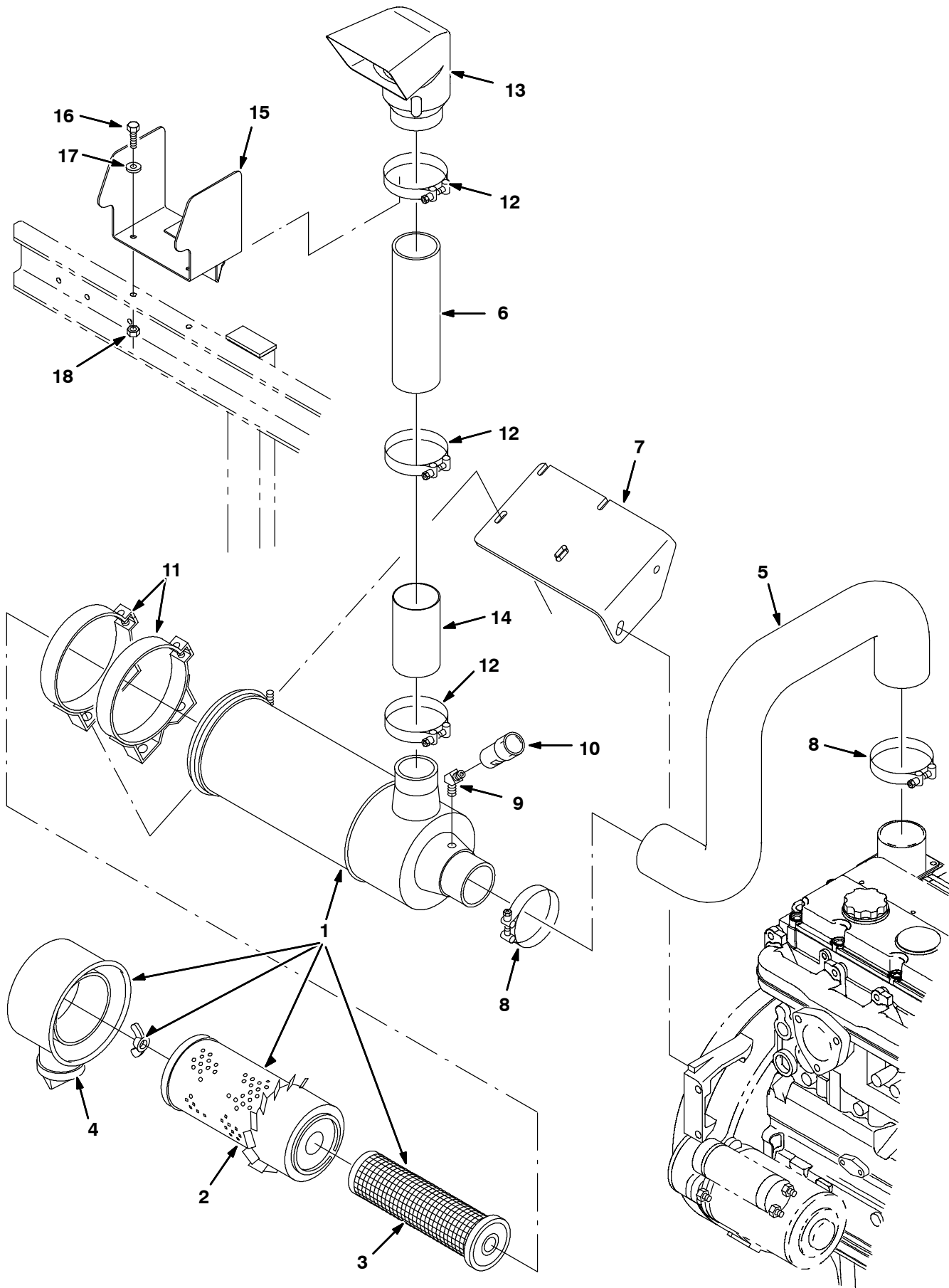


Fig. 24 - Engine Air Cleaner Group, NA (000000-008499)

Ref.	Part No.	Serial Number	Description	Qty.
▽	1	764027	(000000-008499 ) Air Cleaner	1
▲	2	764131	(000000-008499 ) Filter Element,Air Donaldson	1
▲	3	60933	(000000-008499 ) Element, Filter Safety	1
▲	4	761830	(000000-008499 ) Aspirator,Air Cleaner	1
	5	1007637	(000000-008499 ) Hose, Mold, Intake, Air, [N/A]	1
	6	1007233	(000000-008499 ) Tube, Air-Clnr	1
	7	1007217	(000000-008499 ) Bracket Wldt, Air-Clnr	1
	8	311437	(000000-008499 ) Clamp, Spring And Screw, 85-95 Mm, Ss	2
	9	24976	(000000-008499 ) Ftg-Brs E45 Pm02/Pf02	1
	10	768567	(000000-008499 ) Switch, Vacuum Indicator	1
	11	76321	(000000-008499 ) Strap, Band, Mtg, Air Fltr, 6.5d	2
	12	17188	(000000-008499 ) Clamp, Wormdrive, 1.62-3.5OD	3
	13	766405	(000000-008499 ) Intake, Air, 90	1
	14	764291	(000000-008499 ) Hose, Str, Filter, Air	1
	15	1007983	(000000-008499 ) Bracket Wldt, Air Intake	1
	16	76570	(000000-008499 ) Screw, Hex, M8 X 1.25 X 30, 8.8	2
	17	32490	(000000-008499 ) Washer, Flat, 0.25 Std	2
	18	08709	(000000-008499 ) Nut, Hex, Lock, M8 X 1.25, NI	2

# STANDARD PARTS

Fig. 25 - Engine Air Cleaner Group, Turbo (000000-008499)

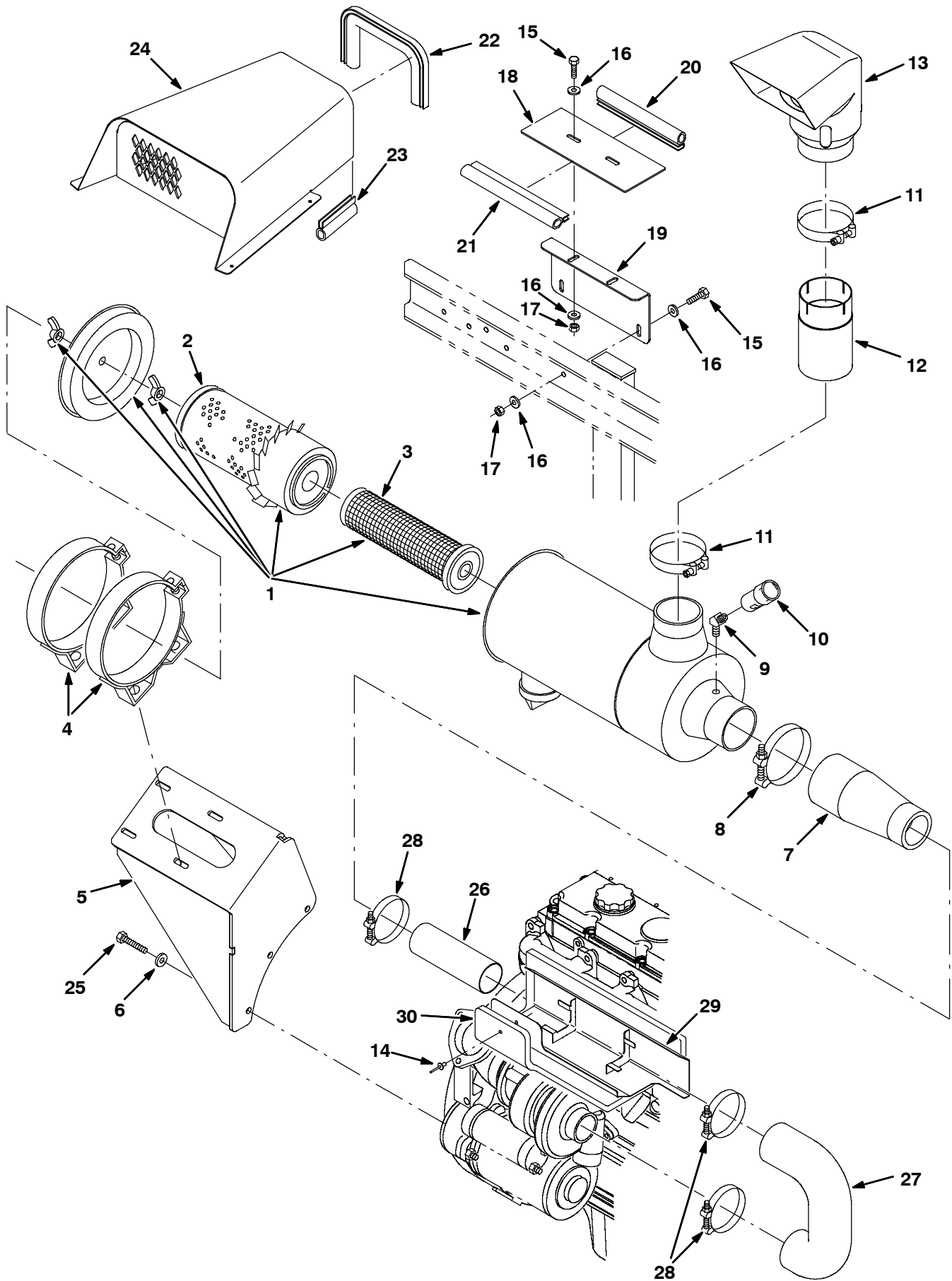




Fig. 25 - Engine Air Cleaner Group, Turbo (000000-008499)

Ref.	Part No.	Serial Number	Description	Qty.
▽	1	764168	(000000-008499 ) Air Cleaner, 8 inch	1
▲	2	764190	(000000-008499 ) Element, 8 inch Air Cleaner	1
▲	3	764191	(000000-008499 ) Element, Safety	1
	4	764182	(000000-008499 ) Clamp, 8 inch Air Cleaner	2
	5	1008733	(000000-008499 ) Bracket Wldt, Air-Clnr	1
	6	763072	(000000-008499 ) Washer, Flat, M10, Fender [Din9021]	3
	7	1007670	(000000-008499 ) Hose, Reducer, Air-Clnr	1
	8	311690	(000000-008499 ) Clamp, S.s. Spring&screw 110mm	1
	9	24976	(000000-008499 ) Ftg-Brs E45 Pm02/Pf02	1
	10	768568	(000000-008499 ) Switch, Vacuum Indicator	1
	11	23498	(000000-008499 ) Clamp, Hose, Wormdrive, 3.56-4.50d, .50w	2
	12	1030628	(000000-008499 ) Tube, Intake, Air-Clnr	1
	13	766406	(000000-008499 ) Elbow, Air Scoop	1
	14	68567	(000000-008499 ) Rivet, Blind, .188DX0.53X.62D, Alm	11
	15	16931	(000000-008499 ) Screw, Hex, M8 X 1.25 X 20, 8.8	4
	16	32491	(000000-008499 ) Washer, Flat, 0.31 Std	8
	17	08709	(000000-008499 ) Nut, Hex, Lock, M8 X 1.25, NI	4
	18	1009908	(000000-008499 ) Plate, Intake, Air	1
	19	1011587	(000000-008499 ) Bracket, Intake, Turbo	1
	20	365353	(000000-008499 ) Seal, Bulb, 90, 1.33 .06-.09Grip 08.3L	1
	21	1031615	(000000-008499 ) Seal, Afmkt, Bulb, Str, .75d F/07ga 02ft	1
	22	57534	(000000-008499 ) Seal, Bulb, 90, 1.33 .06-.09Grip 19.5L	1
	23	364837	(000000-008499 ) Seal, Bulb, Str,0.58D .06-.09Grip 04.0L	2
	24	1010146	(000000-008499 ) Duct Wldt, Intake, Air	1
	25	06963	(000000-008499 ) Screw, Hex, M10 X 1.5 X 60, 8.8	3
	26	1007936	(000000-008499 ) Tube, Intake, Turbo	1
	27	1007930	(000000-008499 ) Elbow, Turbo	1
	28	310668	(000000-008499 ) Clamp, S.S., Spring & Screw, 75-85 Mm	3
	29	1008543	(000000-008499 ) Shield Wldt, Heat	1
	30	1010364	(000000-008499 ) Insulation, Thermal	1

**Fig. 26 - Engine Air Cleaner Group, Turbo (008500- )**

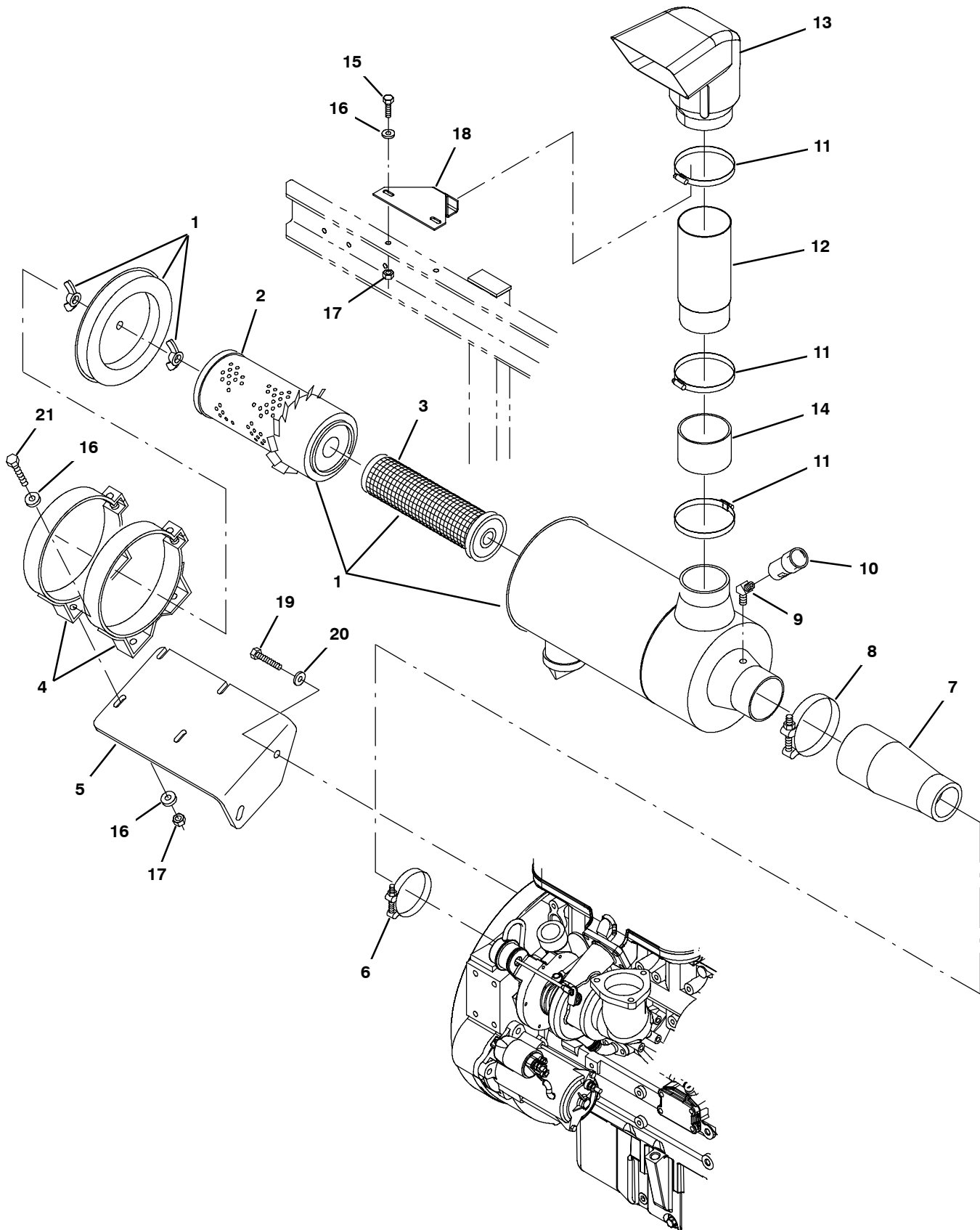


Fig. 26 - Engine Air Cleaner Group, Turbo (008500- )

Ref.	Part No.	Serial Number	Description	Qty.
▽ 1	764168	(008500-	) Air Cleaner, 8 inch	1
▲ 2	764190	(008500-	) Element, 8 inch Air Cleaner	1
▲ 3	764191	(008500-	) Element, Safety	1
4	764182	(008500-	) Clamp, 8 inch Air Cleaner	2
5	1007217	(008500-	) Bracket Wldt, Air-Clnr	1
6	310668	(008500-	) Clamp, S.S., Spring & Screw, 75-85 Mm	1
7	1007670	(008500-	) Hose, Reducer, Air-Clnr	1
8	311690	(008500-	) Clamp, S.s. Spring&screw 110mm	1
9	24976	(008500-	) Ftg-Brs E45 Pm02/Pf02	1
10	768568	(008500-	) Switch, Vacuum Indicator	1
11	23498	(008500-	) Clamp, Hose, Wormdrive, 3.56-4.50d, .50w	3
12	1045986	(008500-	) Tube, Intake, Air-Clnr [Sentinel 08]	1
13	766406	(008500-	) Elbow, Air Scoop	1
14	1048150	(008500-	) Hose, Intake, 3.75id .25w 5.0l	1
15	76570	(008500-	) Screw, Hex, M8 X 1.25 X 30, 8.8	2
16	32490	(008500-	) Washer, Flat, 0.25, Std	12
17	08709	(008500-	) Nut, Hex, Lock, M8 X 1.25, NI	8
18	1048156	(008500-	) Bracket, Air-Intk	1
19	06963	(008500-	) Screw, Hex, M10 X 1.5 X 60, 8.8	3
20	763072	(008500-	) Washer, Flat, M10, Fender [Din9021]	3
21	39277	(008500-	) Screw, Hex, M8 X 1.25 X 25, 8.8	4

Fig. 27 - Engine Battery and Cables Group

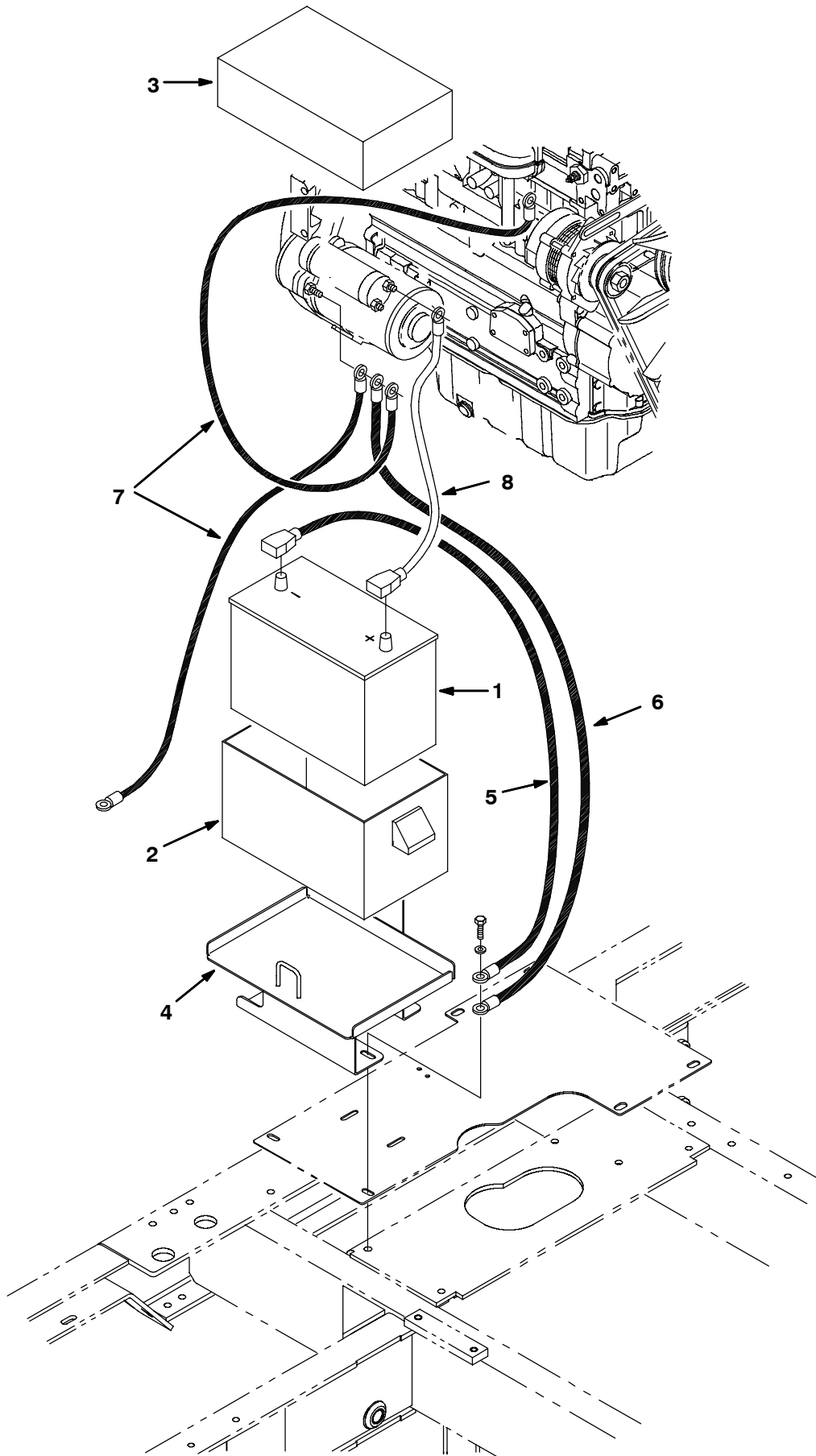
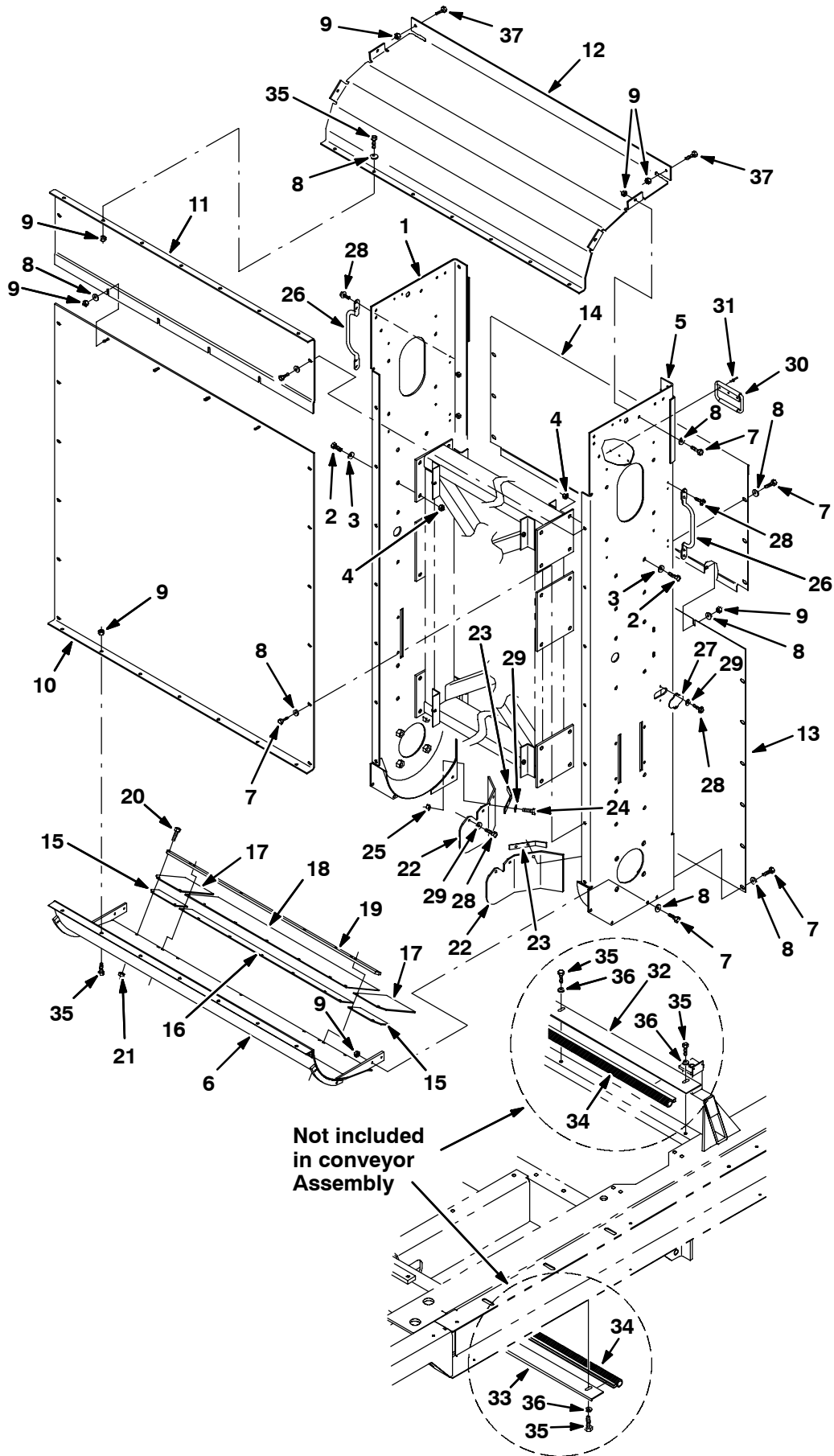


Fig. 27 - Engine Battery and Cables Group

Ref.	Part No.	Serial Number	Description	Qty.
1	310580	(000000-	) Battery, 12V, Cc Amps:1000 Wet	1
2	766015	(000000-	) Battery Box, Poly	1
3	766015	(000000-	) Battery Box, Poly	1
4	766014	(000000-	) Support Wldt	1
5	762555	(000000-	) Wire	1
6	762557	(000000-	) Wire Assy, 36.0 Lg, 4 Ga, Blk	1
7	762556	(000000-	) Wire Assy, 02ga 48.0l Blk .41h/.41h	2
8	762554	(000000-	) Wire Assy, 02ga 48.0l Red	1

**Fig. 28 - Conveyor and Covers Group**



**Not included  
in conveyor  
Assembly**

**Fig. 28 - Conveyor and Covers Group**

NOTE: The Conveyor Assembly, Tennant Part Number 9002028, includes Fig. 28, Fig. 29, Fig. 30, and Fig. 31.

Ref.	Part No.	Serial Number	Description	Qty.
1	1006691	(000000-	) Panel Wldt, Side, Rh	1
2	06968	(000000-	) Screw, Hex, M12 X 1.75 X 35, 8.8	8
3	32486	(000000-	) Washer, Flat, 0.50 Sae	8
4	08711	(000000-	) Nut, Hex, Lock, M12 X 1.75, NI	8
5	1006617	(000000-	) Panel Wldt, Side, Lh	1
6	760798	(000000-	) Trough Wldt, Conveyor	1
7	16931	(000000-	) Screw, Hex, M8 X 1.25 X 20, 8.8	50
8	32491	(000000-	) Washer, Flat, 0.31 Std	55
9	08709	(000000-	) Nut, Hex, Lock, M8 X 1.25, NI	36
10	1006225	(000000-	) Plate Wldt, Back, Conveyor	1
11	1006175	(000000-	) Plate, Wear	1
12	1006108	(000000-	) Wrap, Conveyor, Upper	1
13	1006103	(000000-	) Panel, Rear, Lower	1
14	1006554	(000000-	) Panel Wldt, Rear, Upper	1
15	760883	(000000-	) Strip, Backup	2
16	760884	(000000-	) Strip, Backup	1
17	760882	(000000-	) Skirt, Side, Conveyor	2
18	760897	(000000-	) Skirt, Lip, Conveyor	1
19	760896	(000000-	) Strip, Retainer	1
20	76570	(000000-	) Screw, Hex, M8 X 1.25 X 30, 8.8	9
21	08709	(000000-	) Nut, Hex, Lock, M8 X 1.25, NI	9
22	760837	(000000-	) Skirt, Deflector, Side	2
23	760838	(000000-	) Retainer, Skirt, Conveyor	2
24	06943	(000000-	) Screw, Hex, M6 X 1.0 X 20, 8.8	4
25	08708	(000000-	) Nut, Hex, Lock, M6 X 1.0, NI	4
26	32822	(000000-	) Handle	2
27	760721	(000000-	) Plate, Cover, Lubrication	2
28	361339	(000000-	) Screw, Hex, M 6 X 1.0 X 16, Fmg	14
29	32490	(000000-	) Washer, Flat, 0.25 Std	6
30	381981	(000000-	) Handle, Container, Rear	1
31	41732	(000000-	) Rivet, Blind, .188d X 0.45 X .38d, Stl	3
32	761148	(000000-	) Strip, Seal	1
33	761153	(000000-	) Strip, Seal	1
34	760785	(000000-	) Seal, Bulb, Str, 0.58d .06-.09grip 54.0l	2
35	39277	(000000-	) Screw, Hex, M8 X 1.25 X 25, 8.8	20
36	763041	(000000-	) Washer, Belleville, M08	6
37	393135	(000000-	) Screw, Btn, M8 X 1.25 X 20, Blk	2

**Fig. 29 - Conveyor Drive Group**

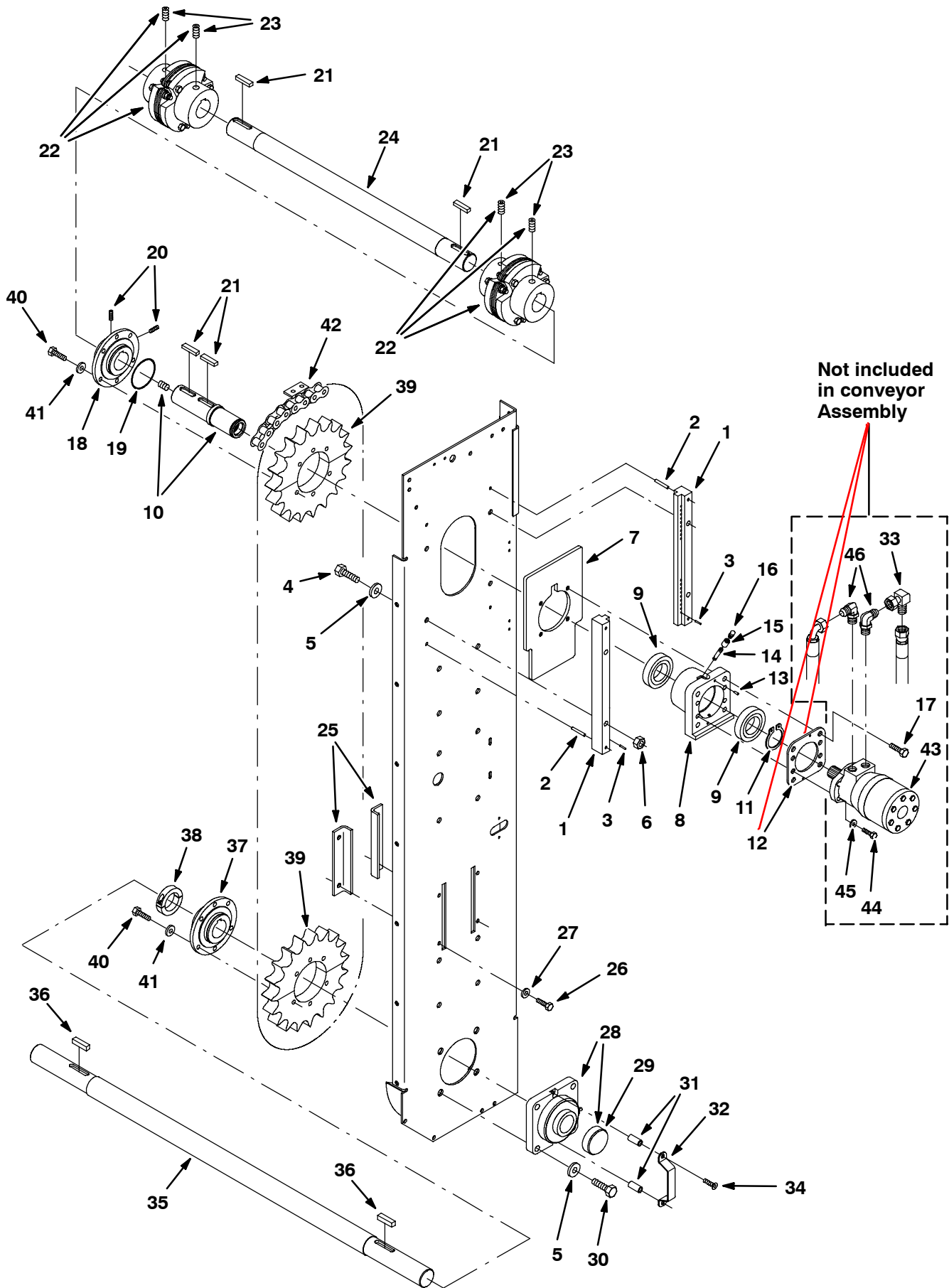




Fig. 29 - Conveyor Drive Group

NOTE: The Conveyor Assembly, Tennant Part Number 9002028, includes Fig. 28, Fig. 29, Fig. 30, and Fig. 31.

Ref.	Part No.	Serial Number	Description	Qty.	
1	1005936	(000000-	) Bar, Retainer	2	
2	11516	(000000-	) Pin, Roll, .250 D X 1.75l, .250/.256	4	
3	28270	(000000-	) Pin, Roll, .187 D X 0.75l, .187/.192	18	
4	06972	(000000-	) Screw, Hex, M12 X 1.75 X 60, 8.8	4	
5	32486	(000000-	) Washer, Flat, 0.50 Sae	8	
6	08711	(000000-	) Nut, Hex, Lock, M12 X 1.75, NI	4	
7	1006031	(000000-	) Plate, Brg	1	
8	1017496	(000000-	) Housing, Brg	1	
9	1005312	(000000-	) Bearing, Ball, 50mm	2	
▽	10	1005309	(000000-	) Shaft, Upper	1
▲		1009396	(000000-	) Screw, Set, M12 X 1.75 X 12, Soc	1
	11	1008020	(000000-	) Ring, Retaining, Ext, 50mm	1
	12	1005888	(000000-	) Plate, Motor	1
	13	18141	(000000-	) Pin, Roll, .180 D X 0.50l, .187/.192	2
	14	26927	(000000-	) Fitting, Pipe, Str, Pm02/Pm02 02.0l,Blk	1
	15	11848	(000000-	) Fitting, Pipe, Cplg, Pf02 Full Black	1
	16	50270	(000000-	) Fitting, Grease, Str Pm02 . L	1
	17	06968	(000000-	) Screw, Hex, M12 X 1.75 X 35, 8.8	4
	18	1005242	(000000-	) Hub, Sprkt	1
	19	1008021	(000000-	) Seal	1
	20	1009396	(000000-	) Screw, Set, M12 X 1.75 X 12, Soc	2
	21	1008022	(000000-	) Key, Rt, 14Mm X 09Mm X 50Mm L	4
▽	22	1006010	(000000-	) Coupling Assy, Conveyor	2
▲		1034499	(000000-	) Disc Kit, Cplg	1
▲		9003028	(000000-	) Bolt Kit, Cplg	1
▲	23	1009396	(000000-	) Screw, Set, M12 X 1.75 X 12, Soc	2
	24	1006013	(000000-	) Shaft, Cen	1
	25	1006391	(000000-	) Angle, Guide	2
	26	16931	(000000-	) Screw, Hex, M8 X 1.25 X 20, 8.8	4
	27	32491	(000000-	) Washer, Flat, 0.31 Std	4
▽	28	761111	(000000-	) Bearing, Flange	1
▲	29	765817	(000000-	) Cap, Bearing, Lower	1
	30	06981	(000000-	) Screw, Hex, M16 X 2.0 X 40, 8.8	3
	31	765806	(000000-	) Spacer, Strap	4
	32	765805	(000000-	) Strap, Retainer, Bearing Cup	2
	33	771096	(000000-	) Fitting, Hyd, E90, Fm10/Ff10	1
	34	42467	(000000-	) Screw, Hex, .38-16 X 2.00, Ss	2
	35	1002939	(000000-	) Shaft, Lower	1
	36	66612	(000000-	) Key, Sq, 0.50 X 2.00l	2
	37	1005248	(000000-	) Hub, Sprkt	1
	38	375642	(000000-	) Collar, Split, 2.00b 3.00d .69w, Stl	2
	39	1005171	(000000-006881)	) Sprocket, 1.654P, 19 Tooth, 4.5B, 1.5W	2
	39	1025192	(006882-	) Sprocket, 1.654p, 19tooth, 4.50b, Split	2
	40	39285	(000000-	) Screw, Hex, M10 X 1.5 X 40, 8.8	12
	41	41187	(000000-	) Washer, Belleville, .38	12

**Fig. 29 - Conveyor Drive Group**

*NOTE: The Conveyor Assembly, Tennant Part Number 9002028, includes Fig. 28, Fig. 29, Fig. 30, and Fig. 31.*

<b>Ref.</b>	<b>Part No.</b>	<b>Serial Number</b>	<b>Description</b>	<b>Qty.</b>	
42	1005175	(000000-	) Chain, 1.654 Pitch. 92P Long	1	
	1016719	(000000-	) Kit, Repair, Inside Attmnt	1	
	1016732	(000000-	) Kit, Repair, Outside Attmnt	1	
	1015444	(000000-	) Pin Kit, Connecting	1	
▽	43	771009	(000000-006702 ) Motor, Hyd, Gear, [In] 24.2 B 2750	1	
▲		762116	(000000-006702 ) Seal Kit	1	
▽	43	767180	(006703-	) Motor, Hyd, Gear, Int 19.2 2900	1
▲		762116	(006703-	) Seal Kit	1
	44	06970	(000000-	) Screw, Hex, M12 X 1.75 X 45, 8.8	4
	45	15331	(000000-	) Washer, Flat, 0.62 Sae	8
	46	762464	(000000-	) Fitting, Hyd, E90, Om10/Fm10	2



Fig. 30 - Conveyor Idler Group

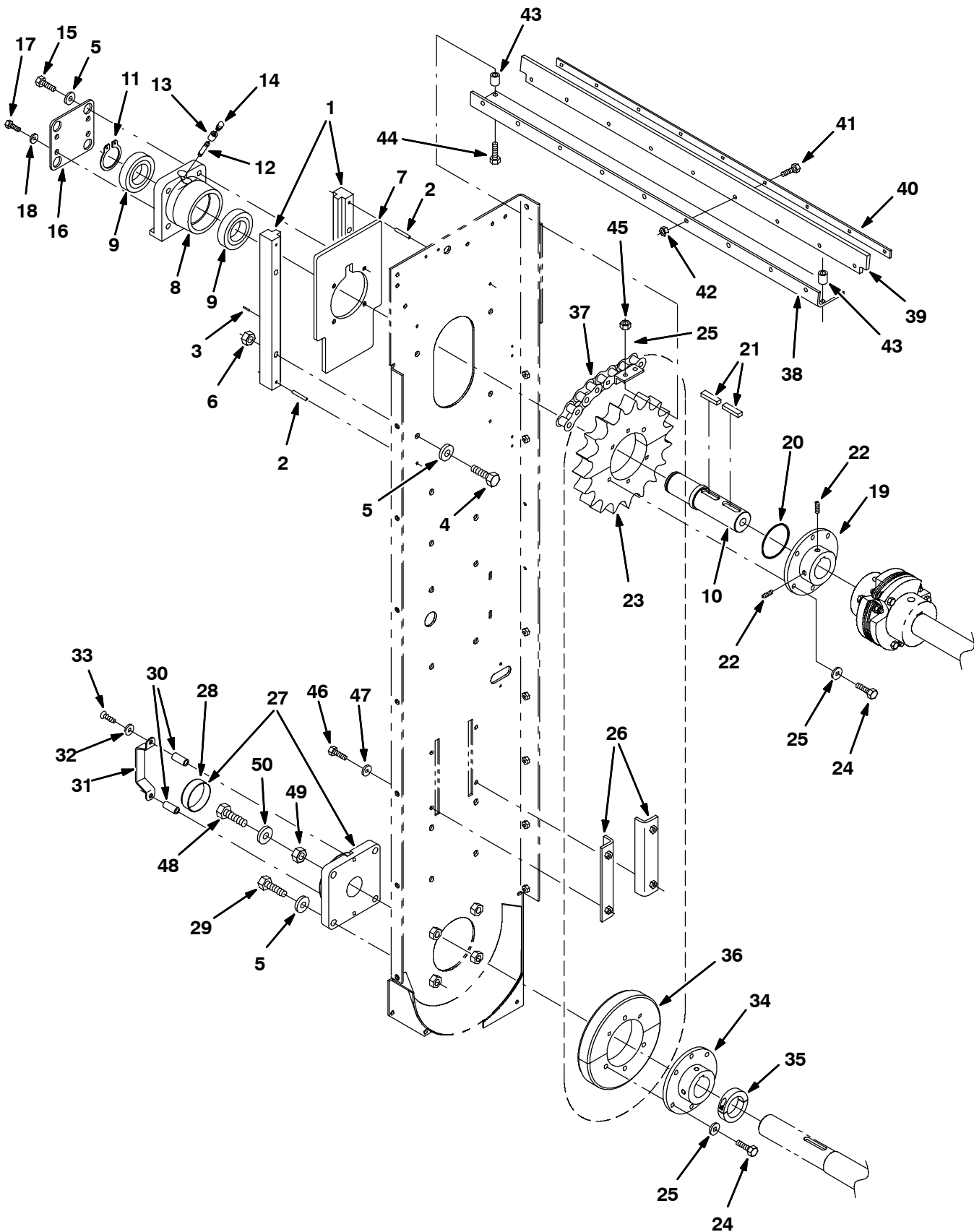


Fig. 30 - Conveyor Idler Group

NOTE: The Conveyor Assembly, Tennant Part Number 9002028, includes Fig. 28, Fig. 29, Fig. 30, and Fig. 31.

Ref.	Part No.	Serial Number	Description	Qty.	
1	1005936	(000000-	) Bar, Retainer	2	
2	11516	(000000-	) Pin, Roll, .250 D X 1.75l, .250/.256	4	
3	28270	(000000-	) Pin, Roll, .187 D X 0.75l, .187/.192	18	
4	06972	(000000-	) Screw, Hex, M12 X 1.75 X 60, 8.8	4	
5	32486	(000000-	) Washer, Flat, 0.50 Sae	8	
6	08711	(000000-	) Nut, Hex, Lock, M12 X 1.75, NI	4	
7	1006031	(000000-	) Plate, Brg	1	
8	1017496	(000000-	) Housing, Brg	1	
9	1005312	(000000-	) Bearing, Ball, 50mm	2	
10	1006852	(000000-	) Shaft, Stub	1	
11	1008020	(000000-	) Ring, Retaining, Ext, 50mm	1	
12	26927	(000000-	) Fitting, Pipe, Str, Pm02/Pm02 02.0l,Blk	1	
13	11848	(000000-	) Fitting, Pipe, Cplg, Pf02 Full Black	1	
14	50270	(000000-	) Fitting, Grease, Str Pm02 . L	1	
15	06969	(000000-	) Screw, Hex, M12 X 1.75 X 40, 8.8	4	
16	1007315	(000000-	) Plate, Cover	1	
17	41345	(000000-	) Screw, Hex, M12 X 1.75 X 25, 8.8	4	
18	32486	(000000-	) Washer, Flat, 0.50 Sae	4	
19	1005242	(000000-	) Hub, Sprkt	1	
20	1008021	(000000-	) Seal	1	
21	1008022	(000000-	) Key, Rt, 14MmX09	2	
22	1009396	(000000-	) Screw, Set, M12 X 1.75 X 12, Soc	2	
23	1005171	(000000-006881	) Sprocket, 1.654P, 19 Tooth, 4.5B, 1.5W	1	
23	1025192	(006882-	) Sprocket, 1.654p, 19tooth, 4.50b, Split	1	
24	39284	(000000-	) Screw, Hex, M10 X 1.5 X 35, 8.8	12	
25	41187	(000000-	) Washer, Belleville, .38	12	
26	1006391	(000000-	) Angle, Guide	2	
▽	27	761111	(000000-	) Bearing, Flange	1
▲	28	765817	(000000-	) Cap, Bearing, Lower	1
29	06981	(000000-	) Screw, Hex, M16 X 2.0 X 40, 8.8	3	
30	765806	(000000-	) Spacer, Strap	2	
31	765805	(000000-	) Strap, Retainer, Bearing Cup	1	
32	32485	(000000-	) Washer, Flat, .38 Sae	2	
33	45290	(000000-	) Screw, Flt, .38-16X2.00, Al	2	
34	1005248	(000000-	) Hub, Sprkt	1	
35	375642	(000000-	) Collar, Split, 2.00b 3.00d .69w, Stl	2	
36	1005173	(000000-	) Wheel, Traction	1	
37	1005175	(000000-	) Chain, 1.654 Pitch. 92P Long	1	
	1016719	(000000-	) Kit, Repair, Inside Attmnt	1	
	1016732	(000000-	) Kit, Repair, Outside Attmnt	1	
	1015444	(000000-	) Pin Kit, Connecting	1	
38	1005678	(000000-	) Angle, Paddle, Conveyor	13	
39	1005719	(000000-	) Strip, Paddle, Conveyor	13	
40	1005718	(000000-	) Strip, Retainer, Paddle	13	
41	76570	(000000-	) Screw, Hex, M8 X 1.25 X 30, 8.8	117	
42	08709	(000000-	) Nut, Hex, Lock, M8 X 1.25, NI	117	
43	1005722	(000000-	) Spacer, Paddle	52	
44	16930	(000000-	) Screw, Hex, M10 X 1.5 X 50, 8.8	52	
45	08166	(000000-	) Nut, Hex, Stover, M10 X 1.5	52	

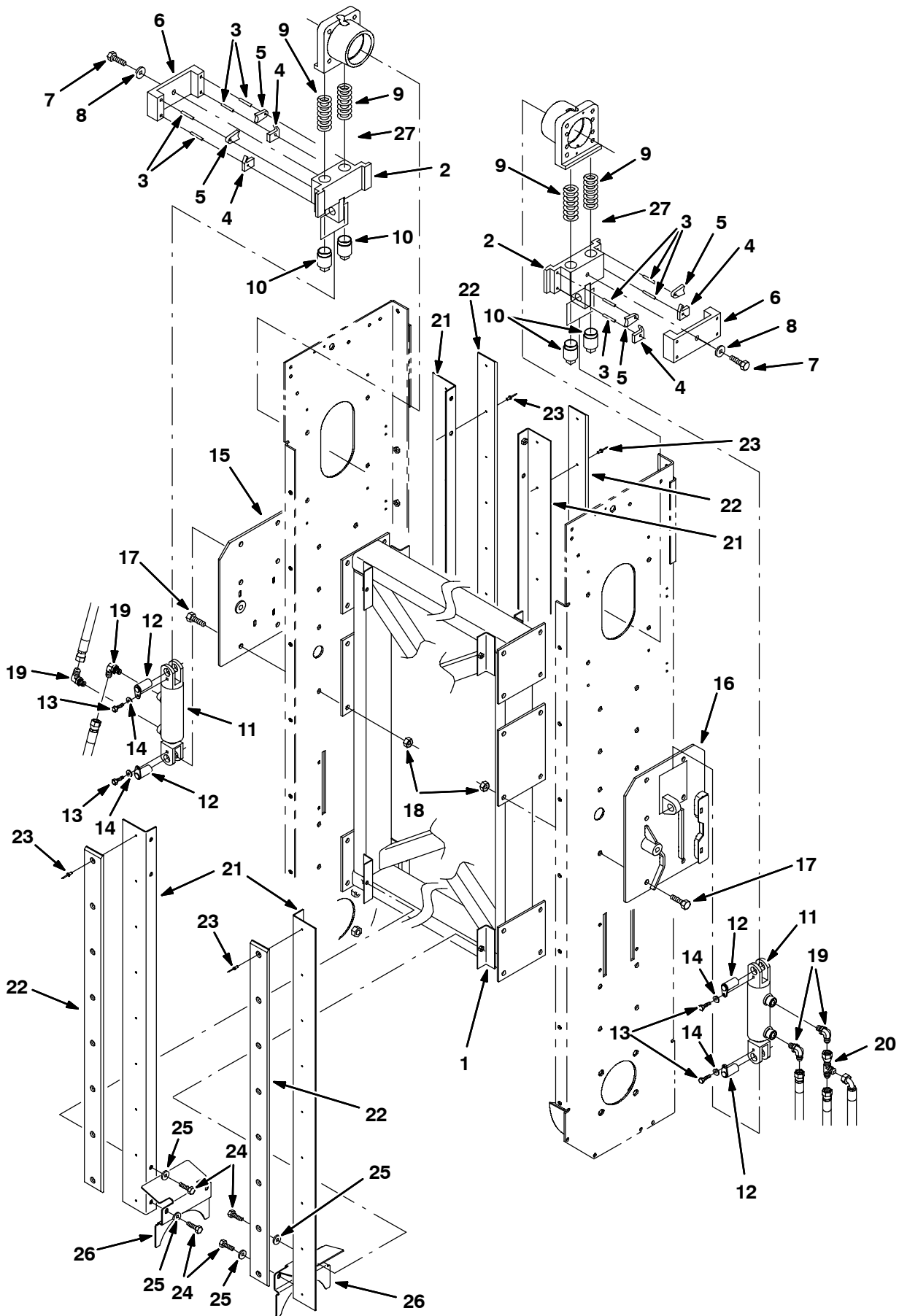
**Fig. 30 - Conveyor Idler Group**

*NOTE: The Conveyor Assembly, Tennant Part Number 9002028, includes Fig. 28, Fig. 29, Fig. 30, and Fig. 31.*

<b>Ref.</b>	<b>Part No.</b>	<b>Serial Number</b>	<b>Description</b>	<b>Qty.</b>
46	16931	(000000-	) Screw, Hex, M8 X 1.25 X 20, 8.8	4
47	32491	(000000-	) Washer, Flat, 0.31 Std	4
48	77752	(000000-	) Screw, Hex, M16 X 2.0 X 70, 8.8, FI	1
49	07782	(000000-	) Nut, Hex, Std, M16 X 2.0	1
50	15331	(000000-	) Washer, Flat, 0.62 Sae	4



Fig. 31 - Conveyor Tension Group





**Fig. 31 - Conveyor Tension Group**

NOTE: The Conveyor Assembly, Tennant Part Number 9002028, includes Fig. 28, Fig. 29, Fig. 30, and Fig. 31.

Ref.	Part No.	Serial Number	Description	Qty.
1	1005954	(000000-	) Frame Wldt, Conveyor	1
2	1005925	(000000-	) Block Wldt, Spring	2
3	11516	(000000-	) Pin, Roll, .250 D X 1.75l, .250/.256	8
4	1010423	(000000-	) Spring, Ure	4
5	1009951	(000000-	) Link	4
6	1007331	(000000-	) Block, Retainer	2
7	41346	(000000-	) Screw, Hex, M12 X 1.75 X 30, 8.8	2
8	32486	(000000-	) Washer, Flat, 0.50 Sae	2
9	1005923	(000000-	) Spring, Cmpr	4
10	1006006	(000000-	) Plug	4
11	1040830	(000000-	) Cylinder, Hyd, 2.0b 11.3l 04.00strk 3000	2
12	1007105	(000000-	) Pin Wldt, Clevis	2
13	87308	(000000-	) Screw, Hex, M6 X 1.0 X 12, 8.8	2
14	32483	(000000-	) Washer, Flat, 0.25 Sae	2
15	1023833	(000000-	) Plate Wldt, Lift, Conveyor, Rh	1
16	1023835	(000000-	) Plate Wldt, Lift, Conveyor, Lh	1
17	06968	(000000-	) Screw, Hex, M12 X 1.75 X 35, 8.8	8
18	08711	(000000-	) Nut, Hex, Lock, M12 X 1.75,NI	8
19	1007959	(000000-	) Fitting, Hyd, E90, Fm06/Om04	4
20	762435	(000000-	) Fitting, Hyd, Tee, Om06/Om06/Ff06	1
21	1005819	(000000-	) Angle, Guide	4
22	765845	(000000-	) Guide, Chain, Steel	4
23	763092	(000000-	) Rivet, Blind, .188d X 0.45 X .38d, Ss	32
24	16931	(000000-	) Screw, Hex, M8 X 1.25 X 20, 8.8	12
25	32491	(000000-	) Washer, Flat, 0.31 Std	12
26	1019488	(000000-	) Plate, Deflector	2



Fig. 32 - Conveyor Lift Group, Right

Ref.	Part No.	Serial Number	Description	Qty.
▽	9003311	(000000-	) Tower Kit, Conveyor, Lift, Rh, Replmt	1
▲▽	9003314	(000000-	) Tower Assy, Conveyor, Lift, Rh	1
▲▲	1 1006801	(000000-	) Support Wldt, Conveyor	1
▲▲	2 06969	(000000-	) Screw, Hex, M12 X 1.75 X 40, 8.8	2
▲▲	3 39313	(000000-	) Nut, Hex, Std, M12 X 1.75	2
▲▲	4 1006629	(000000-	) Arm, Lift	1
▲▲	5 364587	(000000-	) Bushing, Sleeve, 0.88b 1.00d 0.75l, Bnz	5
▲▲	6 1007616	(000000-	) Pin Wldt, Clevis	2
▲▲	7 361339	(000000-	) Screw, Hex, M 6 X 1.0 X 16, Fmg	2
▲▲	8 763040	(000000-	) Washer, Belleville, M06	2
▲▲	9 1006648	(000000-	) Link, Upper	1
▲▲	10 1006519	(000000-	) Shaft, Eccentric	1
▲▲	11 15331	(000000-	) Washer, Flat, 0.62 Sae	1
▲▲	12 33342	(000000-	) Nut, Hex, Lock, M16 X 2.0, NI	1
▲▲	13 760740	(000000-	) Bearing, Cam Roller 52x14x20	1
▲▲	14 1006888	(000000-	) Retainer, Roller	1
▲▲	15 32129	(000000-	) Screw, Flt, M8 X 1.25 X 20, 10.9	1
▲▲	16 1006843	(000000-	) Link Wldt, Push	1
▲▲	17 1007764	(000000-	) Pin, Pivot	1
▲▲	18 09162	(000000-	) Screw, Set, M06 X 1.0 X 8, NI	4
▲▲	19 1006842	(000000-	) Rod-End, M16 X 2.0rh Male 16h	1
▲▲	20 07782	(000000-	) Nut, Hex, Std, M16 X 2.0	2
▲▲	21 76438	(000000-	) Screw, Hex, M10 X 1.5 X 90, FI	1
▲▲	22 39312	(000000-	) Nut, Hex, Std, M10 X 1.5	1
▲▲	23 1006828	(000000-	) Roller, Guide	1
▲▲	24 1006556	(000000-	) Sleeve	1
▲▲	25 41346	(000000-	) Screw, Hex, M12 X 1.75 X 30, 8.8	1
▲▲	26 08711	(000000-	) Nut, Hex, Lock, M12 X 1.75,NI	1
▲▲	27 1007049	(000000-	) Roller, Guide	1
▲▲	28 1008644	(000000-	) Retainer, Roller	1
▲▲	29 16735	(000000-	) Screw, Hex, M8 X 1.25 X 16, 8.8	1
▲▲	30 32491	(000000-	) Washer, Flat, 0.31 Std	1
▲	31 1009447	(000000-	) Plate, Sppt	2
▲	32 06968	(000000-	) Screw, Hex, M12 X 1.75 X 35, 8.8	4
▲	33 32486	(000000-	) Washer, Flat, 0.50 Sae	4
▲	34 06981	(000000-	) Screw, Hex, M16 X 2.0 X 40, 8.8	1
▲	35 15331	(000000-	) Washer, Flat, 0.62 Sae	1
▲	36 1007105	(000000-	) Pin Wldt, Clevis	2
▲	37 87308	(000000-	) Screw, Hex, M6 X 1.0 X 12, 8.8	2
▲	38 763040	(000000-	) Washer, Belleville, M06	2
	39 1040830	(000000-	) Cylinder, Hyd, 2.0b 11.3l 04.00strk 3000	1
	40 762427	(000000-	) Fitting, Hyd, E90, Om04/Fm04	1
	41 771029	(000000-	) Fitting, Hyd, Tee, Om04/Fm04/Fm04	1
	42 1008607	(000000-	) Stop, Down, Adj	1
	43 222516	(000000-	) Sleeve, P/M, 0.496D 0.318B 0.31L 430Ss	2
	44 39277	(000000-	) Screw, Hex, M8 X 1.25 X 25, 8.8	6
	45 08709	(000000-	) Nut, Hex, Lock, M8 X 1.25, NI	6
	46 760757	(000000-	) Rod, Thrld, Full, M12 X 1.8 03.5l	1
	47 763061	(000000-	) Bumper, Engine Door	1
	48 1009614	(000000-	) Bracket, Latch	1

**Fig. 32 - Conveyor Lift Group, Right**

<b>Ref.</b>	<b>Part No.</b>	<b>Serial Number</b>	<b>Description</b>	<b>Qty.</b>
49	1009653	(000000-	) Plate, Strike	1
50	32491	(000000-	) Washer, Flat, 0.31 Std	6
51	39313	(000000-	) Nut, Hex, Std, M12 X 1.75	3
52	06968	(000000-	) Screw, Hex, M12 X 1.75 X 35, 8.8	1



Fig. 33 - Conveyor Lift Group, Left

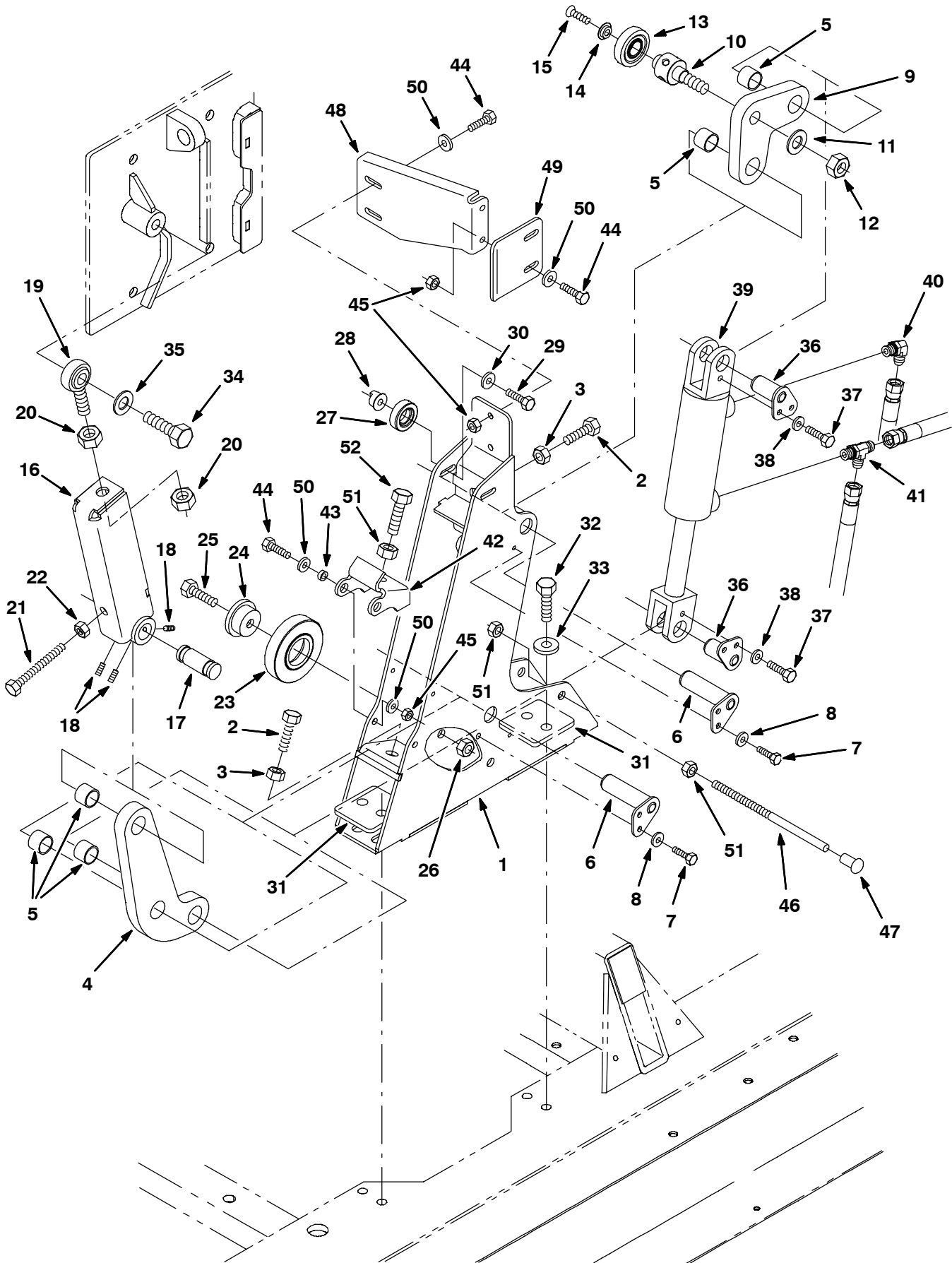


Fig. 33 - Conveyor Lift Group, Left

Ref.	Part No.	Serial Number	Description	Qty.
▽	9003312	(000000-	) Tower Kit, Conveyor, Lift, Lh, Replmt	1
▲▽	9003315	(000000-	) Tower Assy, Conveyor, Lift, Lh	1
▲▲	1 1006801	(000000-	) Support Wldt, Conveyor	1
▲▲	2 06969	(000000-	) Screw, Hex, M12 X 1.75 X 40, 8.8	2
▲▲	3 39313	(000000-	) Nut, Hex, Std, M12 X 1.75	2
▲▲	4 1006629	(000000-	) Arm, Lift	1
▲▲	5 364587	(000000-	) Bushing, Sleeve, 0.88b 1.00d 0.75l, Bnz	5
▲▲	6 1007616	(000000-	) Pin Wldt, Clevis	2
▲▲	7 361339	(000000-	) Screw, Hex, M 6 X 1.0 X 16, Fmg	2
▲▲	8 763040	(000000-	) Washer, Belleville, M06	2
▲▲	9 1006648	(000000-	) Link, Upper	1
▲▲	10 1006519	(000000-	) Shaft, Eccentric	1
▲▲	11 15331	(000000-	) Washer, Flat, 0.62 Sae	1
▲▲	12 33342	(000000-	) Nut, Hex, Lock, M16 X 2.0, NI	1
▲▲	13 760740	(000000-	) Bearing, Cam Roller 52x14x20	1
▲▲	14 1006888	(000000-	) Retainer, Roller	1
▲▲	15 32129	(000000-	) Screw, Flt, M8 X 1.25 X 20, 10.9	1
▲▲	16 1006843	(000000-	) Link Wldt, Push	1
▲▲	17 1007764	(000000-	) Pin, Pivot	1
▲▲	18 09162	(000000-	) Screw, Set, M06 X 1.0 X 8, NI	4
▲▲	19 1006842	(000000-	) Rod-End, M16 X 2.0rh Male 16h	1
▲▲	20 07782	(000000-	) Nut, Hex, Std, M16 X 2.0	2
▲▲	21 76438	(000000-	) Screw, Hex, M10 X 1.5 X 90, FI	1
▲▲	22 39312	(000000-	) Nut, Hex, Std, M10 X 1.5	1
▲▲	23 1006828	(000000-	) Roller, Guide	1
▲▲	24 1006556	(000000-	) Sleeve	1
▲▲	25 41346	(000000-	) Screw, Hex, M12 X 1.75 X 30, 8.8	1
▲▲	26 08711	(000000-	) Nut, Hex, Lock, M12 X 1.75,NI	1
▲▲	27 1007049	(000000-	) Roller, Guide	1
▲▲	28 1008644	(000000-	) Retainer, Roller	1
▲▲	29 16735	(000000-	) Screw, Hex, M8 X 1.25 X 16, 8.8	1
▲▲	30 32491	(000000-	) Washer, Flat, 0.31 Std	1
▲	31 1009447	(000000-	) Plate, Sppt	2
▲	32 06968	(000000-	) Screw, Hex, M12 X 1.75 X 35, 8.8	4
▲	33 32486	(000000-	) Washer, Flat, 0.50 Sae	4
▲	34 06981	(000000-	) Screw, Hex, M16 X 2.0 X 40, 8.8	1
▲	35 15331	(000000-	) Washer, Flat, 0.62 Sae	1
▲	36 1007105	(000000-	) Pin Wldt, Clevis	2
▲	37 87308	(000000-	) Screw, Hex, M6 X 1.0 X 12, 8.8	2
▲	38 763040	(000000-	) Washer, Belleville, M06	2
	39 1040830	(000000-	) Cylinder, Hyd, 2.0b 11.3l 04.00strk 3000	1
	40 762427	(000000-	) Fitting, Hyd, E90, Om04/Fm04	1
	41 771029	(000000-	) Fitting, Hyd, Tee, Om04/Fm04/Fm04	1
	42 1008607	(000000-	) Stop, Down, Adj	1
	43 222516	(000000-	) Sleeve, P/M, 0.496D 0.318B 0.31L 430Ss	2
	44 39277	(000000-	) Screw, Hex, M8 X 1.25 X 25, 8.8	6
	45 08709	(000000-	) Nut, Hex, Lock, M8 X 1.25, NI	6
	46 760828	(000000-	) Rod, Thrld, 1 End, M12x1.75 07.9l	1
	47 763061	(000000-	) Bumper, Engine Door	1
	48 1009651	(000000-	) Bracket, Plate, Latch, Door, Lh	1

**Fig. 33 - Conveyor Lift Group, Left**

<b>Ref.</b>	<b>Part No.</b>	<b>Serial Number</b>	<b>Description</b>	<b>Qty.</b>
49	1009653	(000000-	) Plate, Strike	1
50	32491	(000000-	) Washer, Flat, 0.31 Std	6
51	39313	(000000-	) Nut, Hex, Std, M12 X 1.75	3
52	06968	(000000-	) Screw, Hex, M12 X 1.75 X 35, 8.8	1







Fig. 34 - Hopper Group

Ref.	Part No.	Serial Number	Description	Qty.
▽	9000071	(000000-	) Hopper Assy [Sentinel]	1
▲	1 1009243	(000000-	) Hopper (Painted GM White)	1
▲	2 1009327	(000000-	) Door, Hppr	1
	3 1042226	(000000-	) Cylinder, Hyd, 1.5b 11.0l 02.94strk 3000	1
	4 1015530	(000000-	) Rivet, Blind, .156d X 1.00l X .31d, Alm	2
	5 760598	(000000-	) Hook, Door Release	1
	6 760586	(000000-	) Pin, Hydraulic Cylinder	1
	7 760577	(000000-	) Bushing	1
	8 765614	(000000-	) Pivot Wldt, Hopper Right	1
	9 760682	(000000-	) Pin, Hyd Cyl	2
	10 765612	(000000-	) Pivot Wldt, Hopper Left	1
	11 1009254	(000000-	) Panel, Hppr, Skirt, Rh	1
	12 1009237	(000000-	) Panel, Hppr, Lh	1
	13 1009191	(000000-	) Cover, Line, Hyd	1
	14 761515	(000000-	) Hopper up Alarm	1
	15 760647	(000000-	) Bracket,Cable Mount	1
	16 762035	(000000-	) Motor, Hyd Shaker W/End Ports (See Breakdowns)	1
	17 760548	(000000-	) Beater Bar, Filter Bag	1
	18 763244	(000000-	) Seal, Shaft	2
	19 760543	(000000-	) Bushing, Rear Support	1
	20 763278	(000000-	) Bearing, Sleeve	1
	21 760523	(000000-	) Clamp, Gasket, Front	2
	22 760504	(000000-	) Shutter, Vacuum	1
	23 762426	(000000-	) Ftg-Hyd, Str	2
	24 762437	(000000-	) Ftg-Hyd, E90	1
	25 61923	(000000-	) Alarm, Backup, Smart	1
	26 367679	(000000-	) Thermostat Assembly,155 Deg	1
	27 82733	(000000-	) Gasket, Fire Switch	1
	28 760522	(000000-	) Gasket,Hopper Opening	1
	29 760565	(000000-	) Gasket,Rear Hopper Door	1
	30 770176	(000000-	) Switch, Snap Actn, 12vdc 15a No	1
	31 763284	(000000-	) Bushing	2
	32 763075	(000000-	) Rivet, Pop .156Dx.710x.312Dhd	30
	33 760663	(000000-	) Cable, Hopper Door Hook	1
	34 761417	(000000-	) Bar Flat, Rubber Hopper	1
	35 47801	(000000-	) Ftg, Grease	2
	36 19065	(000000-	) Washer Flt 08	18
	37 761542	(000000-	) Angle, Switch	1
	38 1009367	(000000-	) Plate, Mtg, License	1
	39 46711	(000000-	) Light, Panl, 12vdc, Clr, 1.5d	1

Fig. 35 - Hopper Filter Bags Group

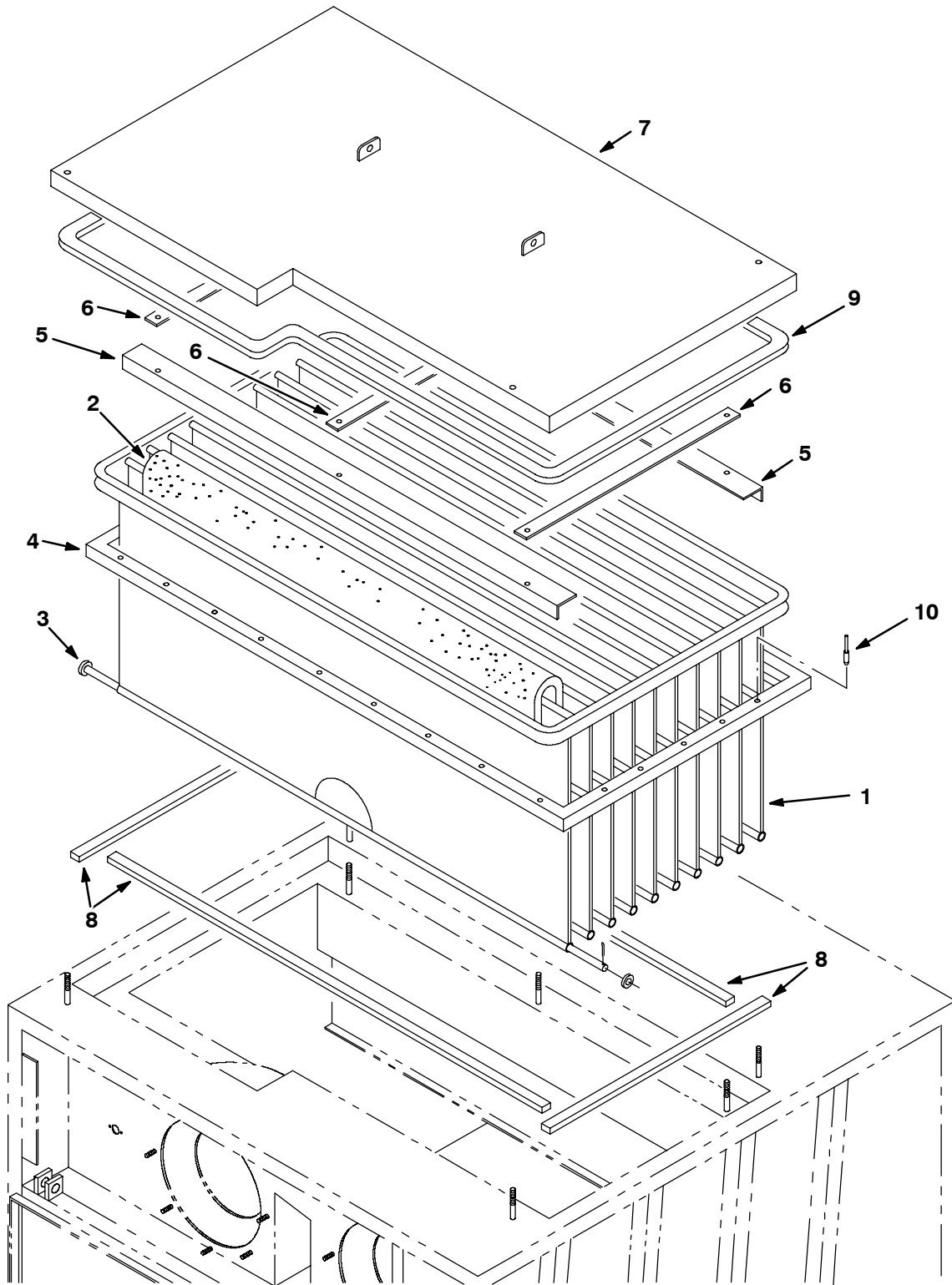


Fig. 35 - Hopper Filter Bags Group

	Ref.	Part No.	Serial Number	Description	Qty.
▽		761505	(000000-	) Filter Bag Assy, Hopper	1
▲	1	1041780	(000000-	) Filter, Bag [Sentinel]	1
▲	2	760536	(000000-	) Separator, Filter Bag	10
▲	3	760545	(000000-	) Rod Wldt, Filter Bag	20
▲	4	760535	(000000-	) Rack, Filter Bag	1
	5	760529	(000000-	) Bracket, Filter Bag	2
	6	760550	(000000-	) Bar, Stop, Filter Bag	3
	7	1009199	(000000-	) Cover, Fltr, Bag	1
	8	760532	(000000-	) Gasket	1
	9	760540	(000000-	) Seal, Bulb, Str, 0.75d .19grip 204.0l	1
	10	763075	(000000-	) Rivet, Blind, .156d X 0.71 X .31d	28

Fig. 36 - Hopper Tilt Cylinders Group

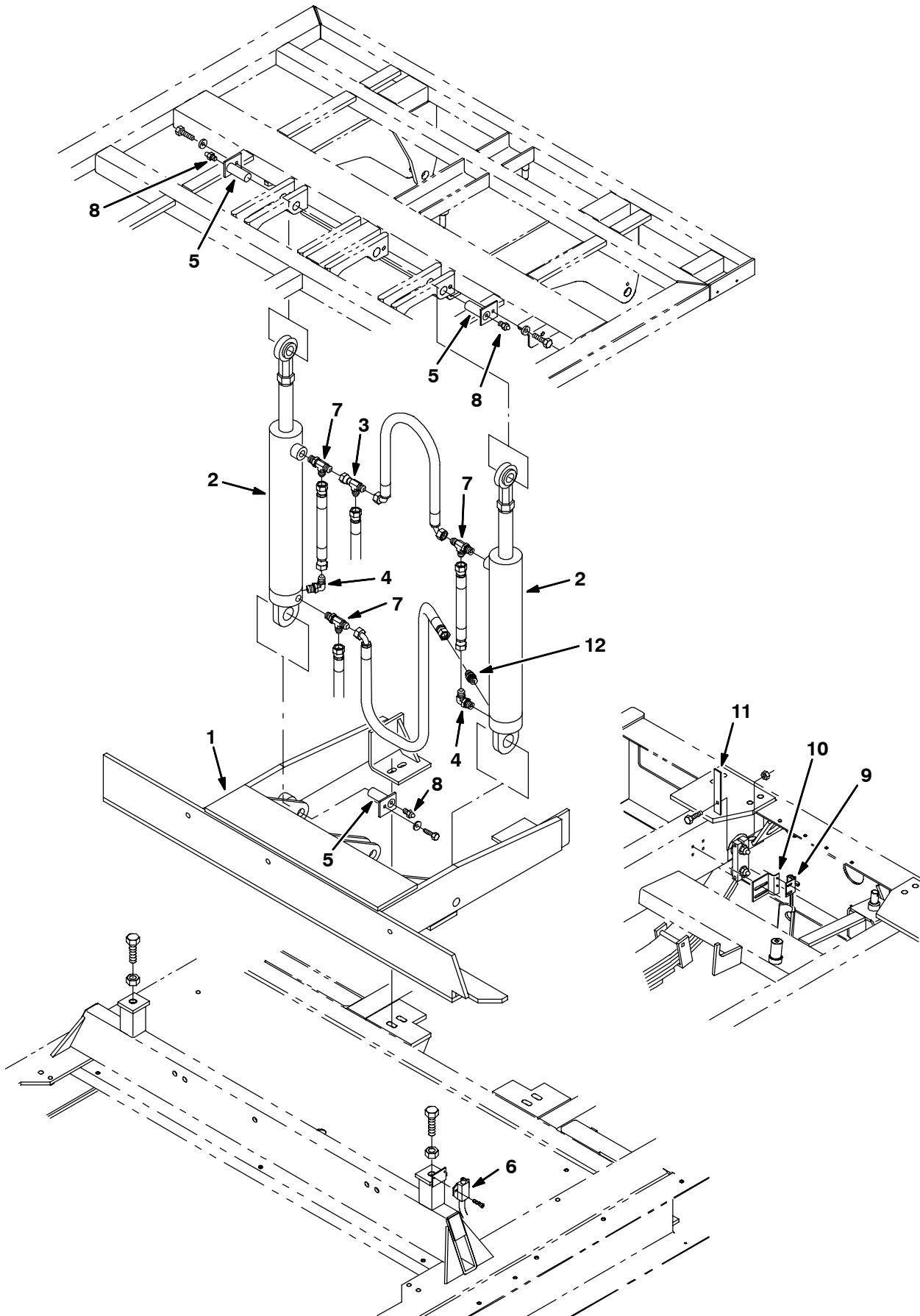


Fig. 36 - Hopper Tilt Cylinders Group

Ref.	Part No.	Serial Number	Description	Qty.
	1	765450	(000000- ) Base, Lift, Lower	1
▽	2	1029852	(000000- ) Cyl, Hyd, 2.5b, 27.3l, 17.7strk 3000	2
▲		1035699	(000000- ) Seal Kit, Cyl, Hyd	1
▲		1035701	(000000- ) Valve, Check, Cyl, Hyd	1
3	762435	(000000- )	Ftg-Hyd, Tee	1
4	762432	(000000- )	Ftg-Hyd, Elbow	2
5	760682	(000000- )	Pin Weldment, Safety Leg Lower	4
6	770176	(000000- )	Switch, Snap Actn, 12Vdc 15A No	1
7	762434	(000000- )	Ftg-Hyd, Tee	3
8	47801	(000000- )	Ftg, Grease	4
9	59965	(000000- )	Switch Assy, Roller-No	1
10	770025	(000000- )	Bracket, Switch	1
11	760447	(000000- )	Spring, Overload Switch	1
12	762443	(000000- )	Fitting, Hyd	1

Fig. 37 - Hopper Support Cylinder Group

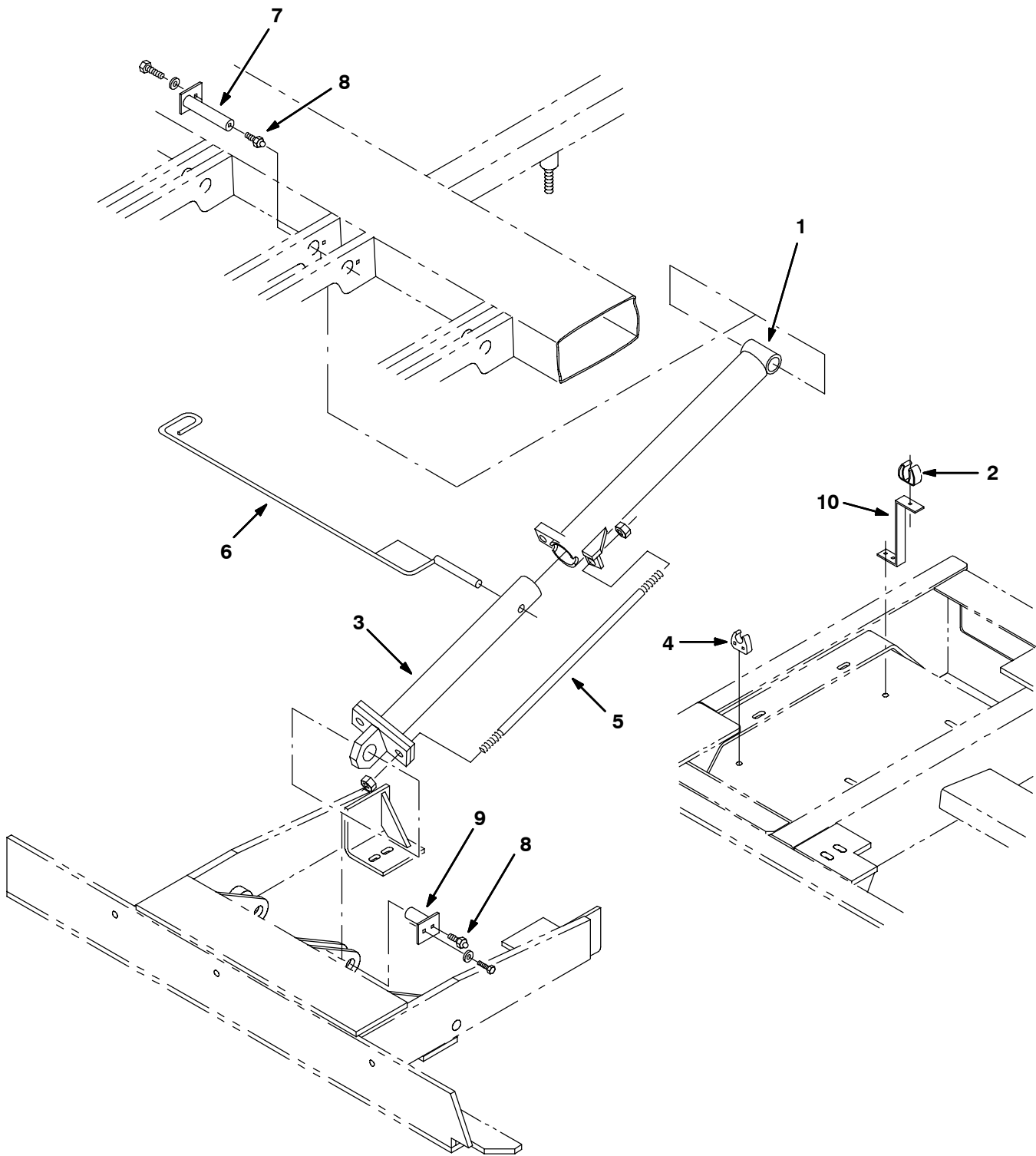




Fig. 37 - Hopper Support Cylinder Group

Ref.	Part No.	Serial Number	Description	Qty.
1	760673	(000000-	) Hopper Support, Upper W/Label	1
2	761524	(000000-	) Clip, Finger Clip, Metal	1
3	760691	(000000-	) Hopper Support, Lower	1
4	760660	(000000-	) Clip, Finger Clip	1
5	760554	(000000-	) Tie Rod, Hopper Support	2
6	760824	(000000-	) Pin W/Label	1
7	760695	(000000-	) Pin Weldment,Safety Leg Upper	1
8	47801	(000000-	) Ftg, Grease.25-28th Strt .63L	2
9	760679	(000000-	) Pin Weldment,Safety Leg Lower	1
10	760668	(000000-	) Bracket, Extended Pin	1

Fig. 38 - Hopper Vacuum Fan Group

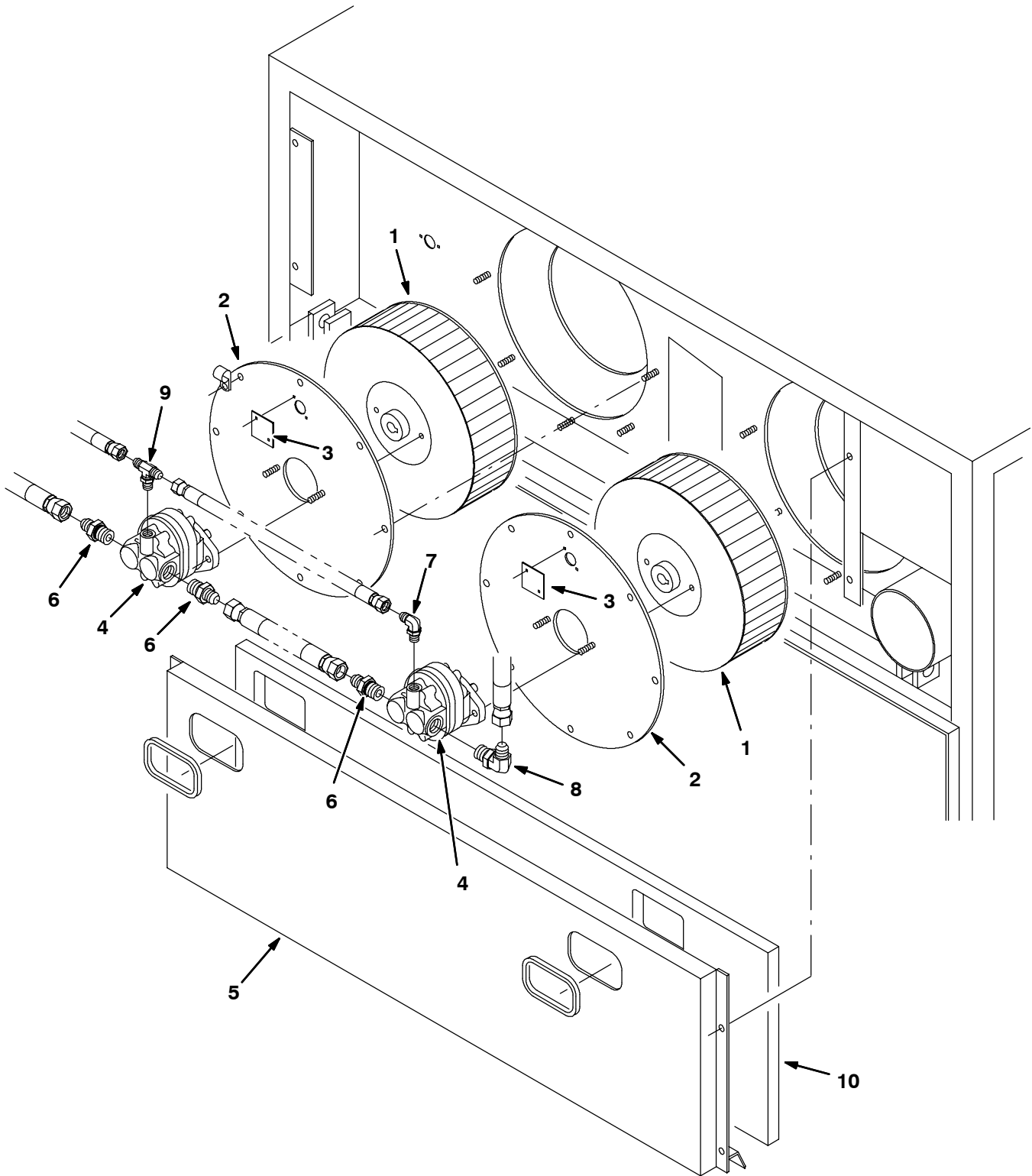


Fig. 38 - Hopper Vacuum Fan Group

Ref.	Part No.	Serial Number	Description	Qty.	
1	760562	(000000-	) Impeller, Intake	2	
2	760560	(000000-	) Plate, Fan Housing	2	
3	760566	(000000-	) Plate, Cover, Fan Housing	2	
4	762032	(000000-007257	) Motor, Hyd Vac Fan (See Breakdowns)	2	
▽	4	1036050	(007258-	) Motor, Hyd, Vacfan, 1.06 [Cid]	2
▲		1036052	(007258-	) Seal Kit, Hyd, Motor	1
5	1009224	(000000-	) Guard, Motor	1	
6	762468	(000000-	) Ftg-Hyd, Str	3	
7	762432	(000000-	) Ftg-Hyd, E90	1	
8	762469	(000000-	) Ftg-Hyd, E90	1	
9	762436	(000000-	) Ftg-Hyd, Tee	1	
10	770154	(000000-	) Insulation, Acstc, Vacfan	1	

**Fig. 39 - Cab Group, Front**

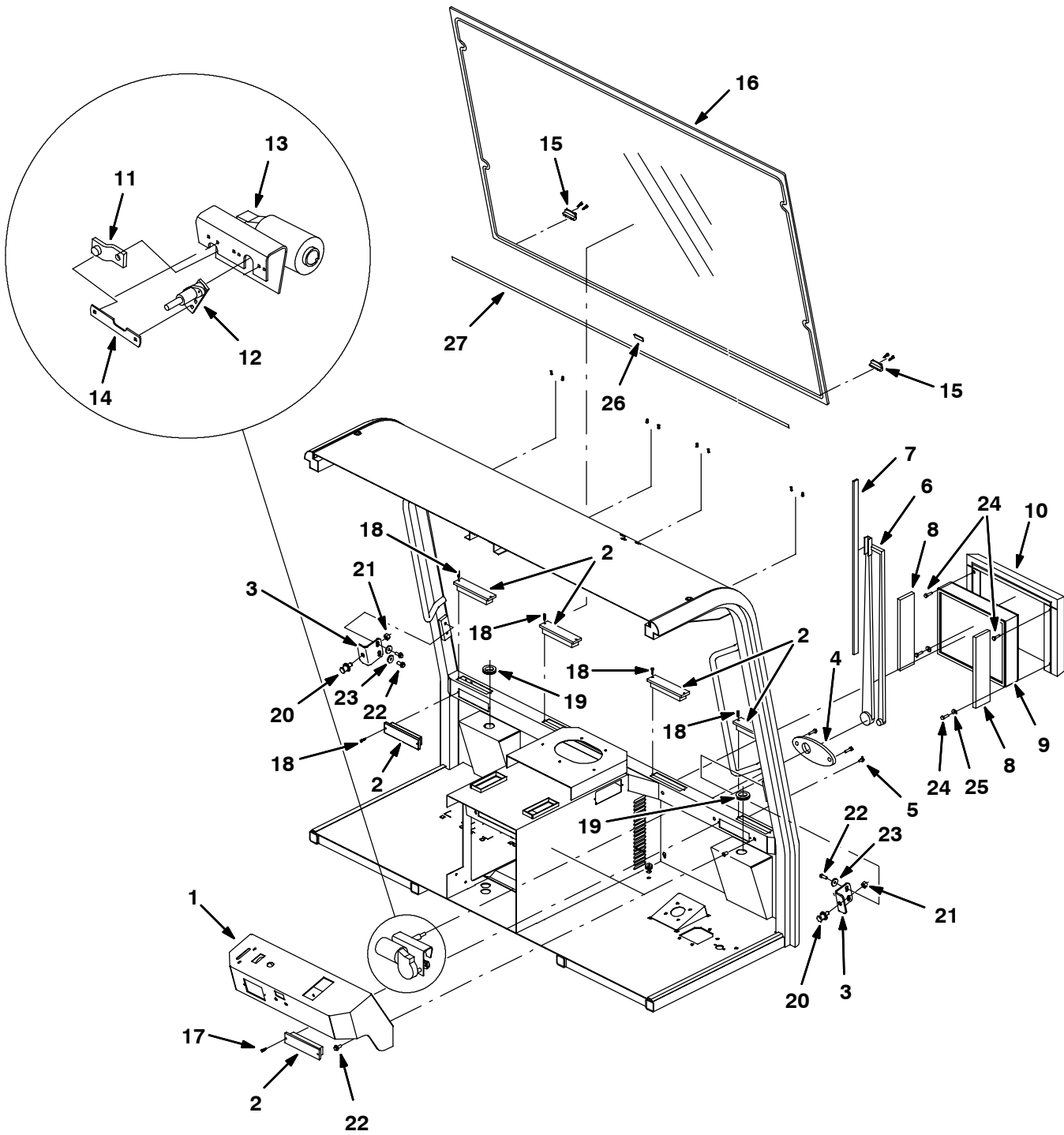


Fig. 39 - Cab Group, Front

Ref.	Part No.	Serial Number	Description	Qty.
1	1009821	(000000-	) Console, Steering	1
2	769617	(000000-	) Louver, Vent	6
3	372293	(000000-	) Bracket, Strike	2
4	769610	(000000-	) Adaptor, Arm, Wiper	1
5	761872	(000000-	) Adaptor	1
	761738	(000000-	) Nozzle Kit, Spray, Windshield	1
6	769615	(000000-	) Arm, Wiper	1
7	769609	(000000-	) Blade, Wiper	1
8	769631	(000000-	) Filter, Air, Foam	2
9	769657	(000000-	) Filter, Air	1
10	769659	(000000-	) Cover, Filter, Assy	1
11	769601	(000000-	) Arm, Drive	1
12	769616	(000000-	) Pivot, Shaft, Wiper	1
13	761867	(000000-	) Motor, Ele, Wiper, 12vdc Deg	1
14	769071	(000000-	) Kit, Link, Connecting	1
15	769620	(000000-	) Clip, Window	3
16	769630	(000000-	) Pane, Glass, Windshield	1
17	372309	(000000-	) Screw, Flng, .31-16 X 1.75, Blk	2
18	372298	(000000-	) Screw, Flng, #10-16 X .75, Self Tap,Blk	10
19	372306	(000000-	) Grommet, 1.38h	2
20	372296	(000000-	) Catch, Strike, .44-14 X .75, G8	2
21	372295	(000000-	) Nut, Clinch, .44-14, G5	2
22	372303	(000000-	) Screw, Flng, M8 X 1.25 X 20mm, Blk	7
23	372311	(000000-	) Washer, Bevel, .334, .822, .109, .128	4
24	372307	(000000-	) Screw, Hex, M 6 X 1.00 X 20, 8.8	4
25	372297	(000000-	) Washer, 0.28b 0.62od .06	2
26	372308	(000000-	) Spacer, .125 X .25 X 2.00	1
27	372301	(000000-	) Label, Striping, Blk	1

Fig. 40 - Cab Group, Rear

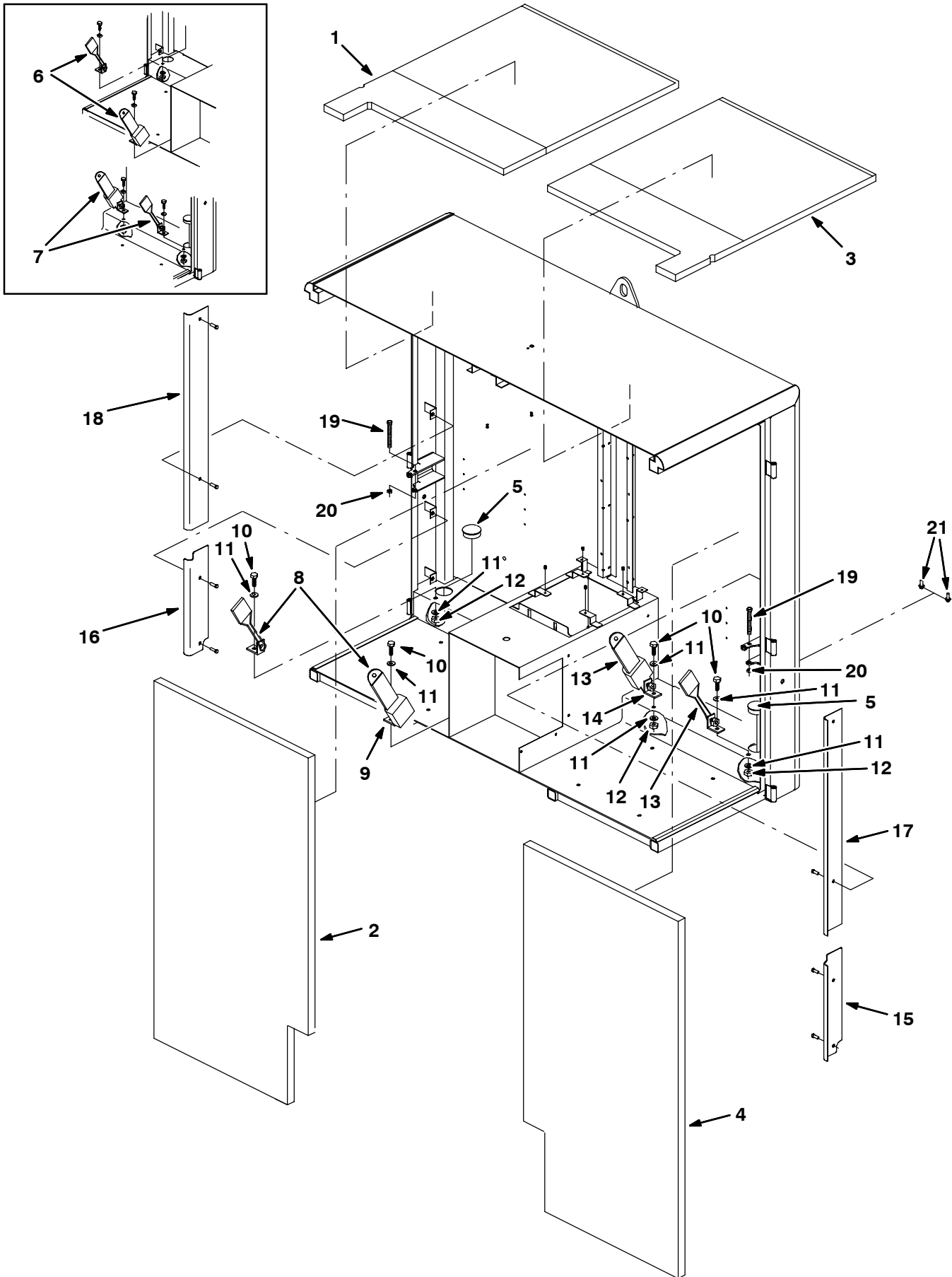


Fig. 40 - Cab Group, Rear

Ref.	Part No.	Serial Number	Description	Qty.
1	769643	(000000-	) Insulation, Acstc, Upper, Rh	1
2	769641	(000000-	) Insulation, Acstc, Rear, Rh	1
3	769642	(000000-	) Insulation, Acstc, Upper, Lh	1
4	769640	(000000-	) Insulation, Acstc, Rear, Lh	1
5	372302	(000000-	) Plug, Hole, 2.25	2
6	9001923	(000000-006917	) Seatbelt Kit, Rh, Ci	2
7	9001924	(000000-006917	) Seatbelt Kit, Lh, Ci	1
8	1028188	(006918-	) Seatbelt, Rh	1
9	1028021	(006918-	) Bracket, Seatbelt, Rh	1
10	16931	(006918-	) Screw, Hex, M8 X 1.25 X 20, 8.8	4
11	32490	(006918-	) Washer, Flat, 0.25 Std	8
12	08709	(006918-	) Nut, Hex, Lock, M8 X 1.25, NI	4
13	1028186	(006918-	) Seatbelt, Lh	1
14	1028112	(006918-	) Bracket, Seatbelt, Lh	1
15	372289	(000000-	) Cover, Lower, Lh	1
16	372290	(000000-	) Cover, Lower, Rh	1
17	372291	(000000-	) Cover, Upper, Lh	1
18	372292	(000000-	) Cover, Upper, Rh	1
19	35709	(000000-	) Screw, Hex, .38-16 X 3.50, 5	2
20	372304	(000000-	) Nut, Clinch, .38-16, G5	2
21	372303	(000000-	) Screw, Flng, M8 X 1.25 X 20mm, Blk	8

Fig. 41 - Cab Door Mount and Covers Group

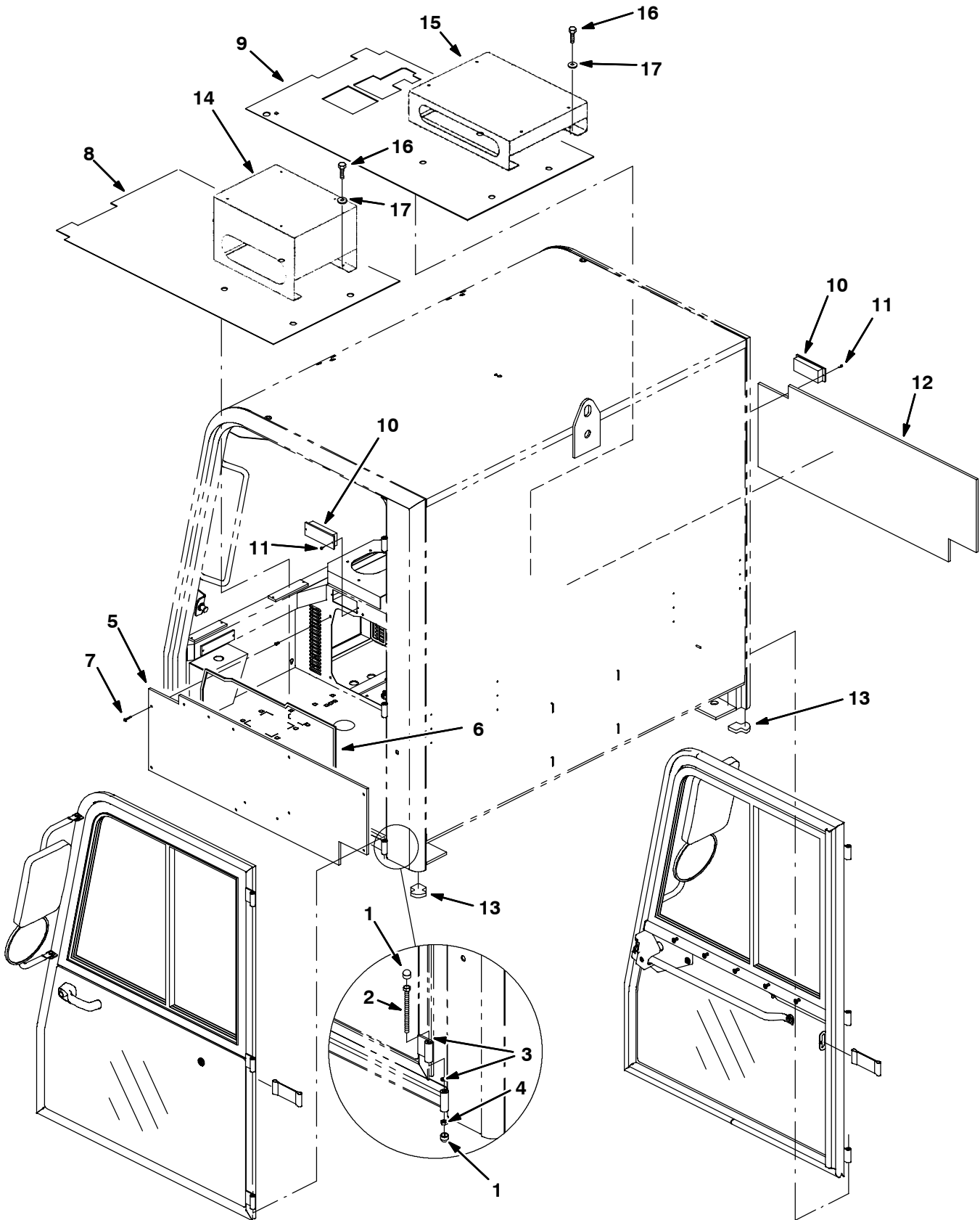




Fig. 41 - Cab Door Mount and Covers Group

Ref.	Part No.	Serial Number	Description	Qty.
1	372305	(000000-	) Nut, Dome, Hex, .38, Nyl, Blk	12
2	372299	(000000-	) Screw, Hex, .38-16 X 4.50, Ss	6
3	372310	(000000-	) Washer, 0.38b 0.62d .06, Nyl, White	12
4	372304	(000000-	) Nut, Clinch, .38-16, G5	6
5	769658	(000000-	) Cover, Heater, Lh	1
6	769619	(000000-	) Seal	1
7	09145	(000000-	) Screw, Pan, M 6 X 1.0 X 16, 4.8	4
8	769654	(000000-	) Mat, Floor, Lh	1
9	372294	(000000-	) Mat, Floor, Side, Rh	1
10	769618	(000000-	) Louver, Adj, Heat-A/C	2
11	372298	(000000-	) Screw, Flng, #10-16 X .75, Self Tap,Blk	4
12	769645	(000000-	) Insulation, Acstc	1
13	372300	(000000-	) Plub, Foam	4
14	768448	(000000-	) Support Wldt, Seat, Passenger	1
15	768447	(000000-	) Support, Seat, Driver	1
16	16931	(000000-	) Screw, Hex, M8 X 1.25 X 20, 8.8	8
17	763041	(000000-	) Washer, Belleville, M08	8

Fig. 42 - Cab Door Group, Right

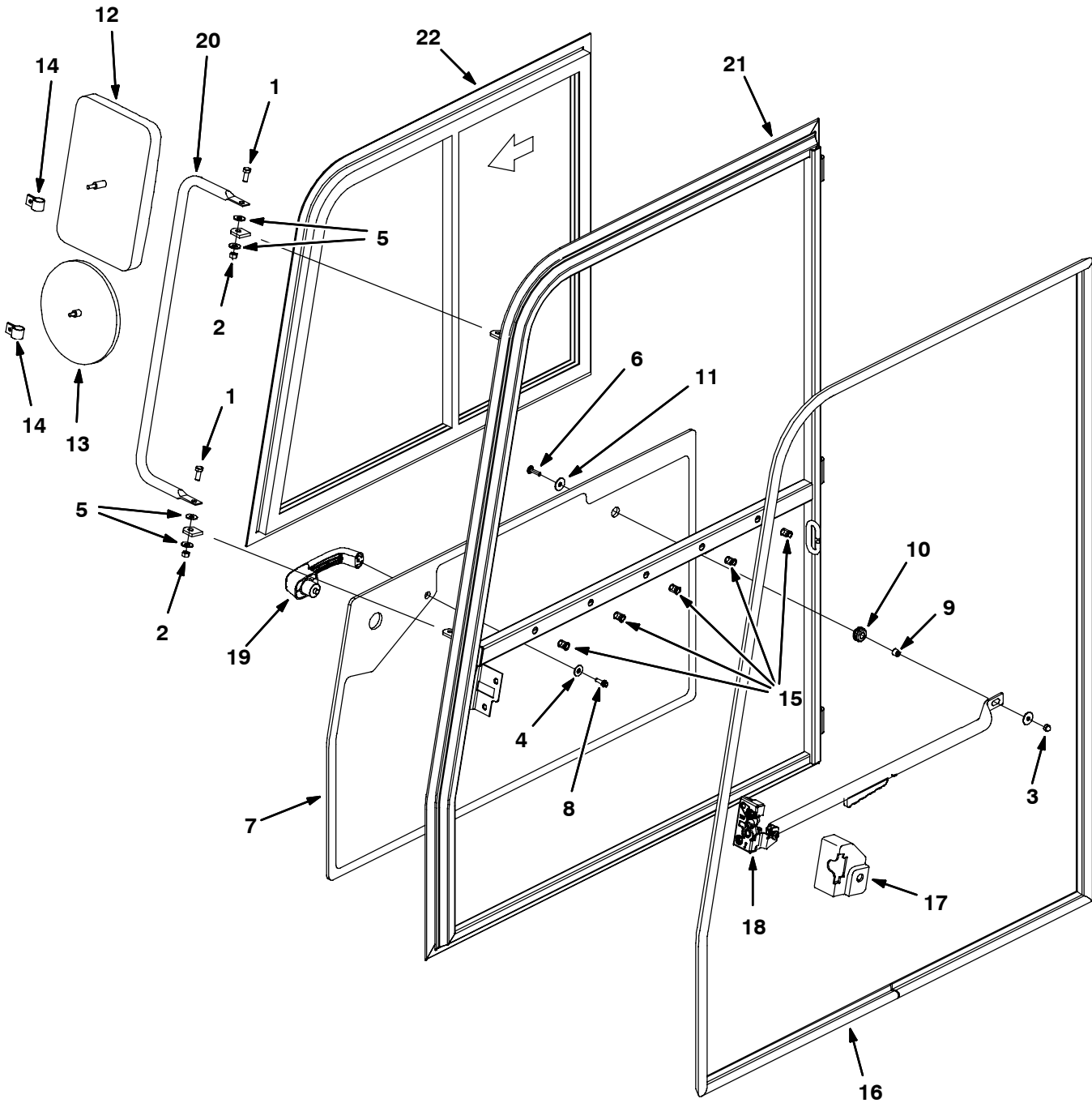


Fig. 42 - Cab Door Group, Right

Ref.	Part No.	Serial Number	Description	Qty.
▽	372287	(000000-	) Door Assy, Rh	1
▲	1 41620	(000000-	) Screw, Hex, .31-18 X 1.00, 8	2
▲	2 372312	(000000-	) Nut, Clinch, .31-18, G8	2
▲	3 372313	(000000-	) Nut, .25-20	1
▲	4 372314	(000000-	) Washer, 0.31b 0.88d .06, Nyl, Blk	3
▲	5 372315	(000000-	) Washer, 0.38b 0.88d .08	2
▲	6 372316	(000000-	) Scrw, Trs, .25-20 X 1.00	1
▲	7 372327	(000000-	) Pane, Wndw, Lower, Rh	1
▲	8 372317	(000000-	) Screw, Flng, M6 X 1 X 20	1
▲	9 372318	(000000-	) Bushing, 0.26b 0.50d, Nyl, White	1
▲	10 372319	(000000-	) Grommet, Rbr, .500, .812, 1.062, .250	1
▲	11 372320	(000000-	) Washer, 0.28b 1.00d .06	2
▲	12 761914	(000000-	) Mirror, Convex	1
▲	13 68445	(000000-	) Mirror, Convex, 08.0d	1
▲	14 761915	(000000-	) Clamp, Dovetail	2
▲	15 372321	(000000-	) Rivnut, Rnd, M8 X 1.25	5
▲	16 761981	(000000-	) Seal	1
▲	17 372322	(000000-	) Cover, Latch, Handle, Rh	1
▲	18 372323	(000000-	) Lever, Release, Int, Rh	1
▲▽	19 372324	(000000-	) Handle, Door, Ext	1
▲▲	1016370	(000000-	) Key, Door, Cab [Sentinel]	1
▲	20 769653	(000000-	) Bracket, Mtg, Mirror, 24.5"	1
▲	21 372325	(000000-	) Door Wldt, Rh	1
▲	22 372326	(000000-	) Pane, Wndw, Slide, Rh	1

Fig. 43 - Cab Door Group, Left

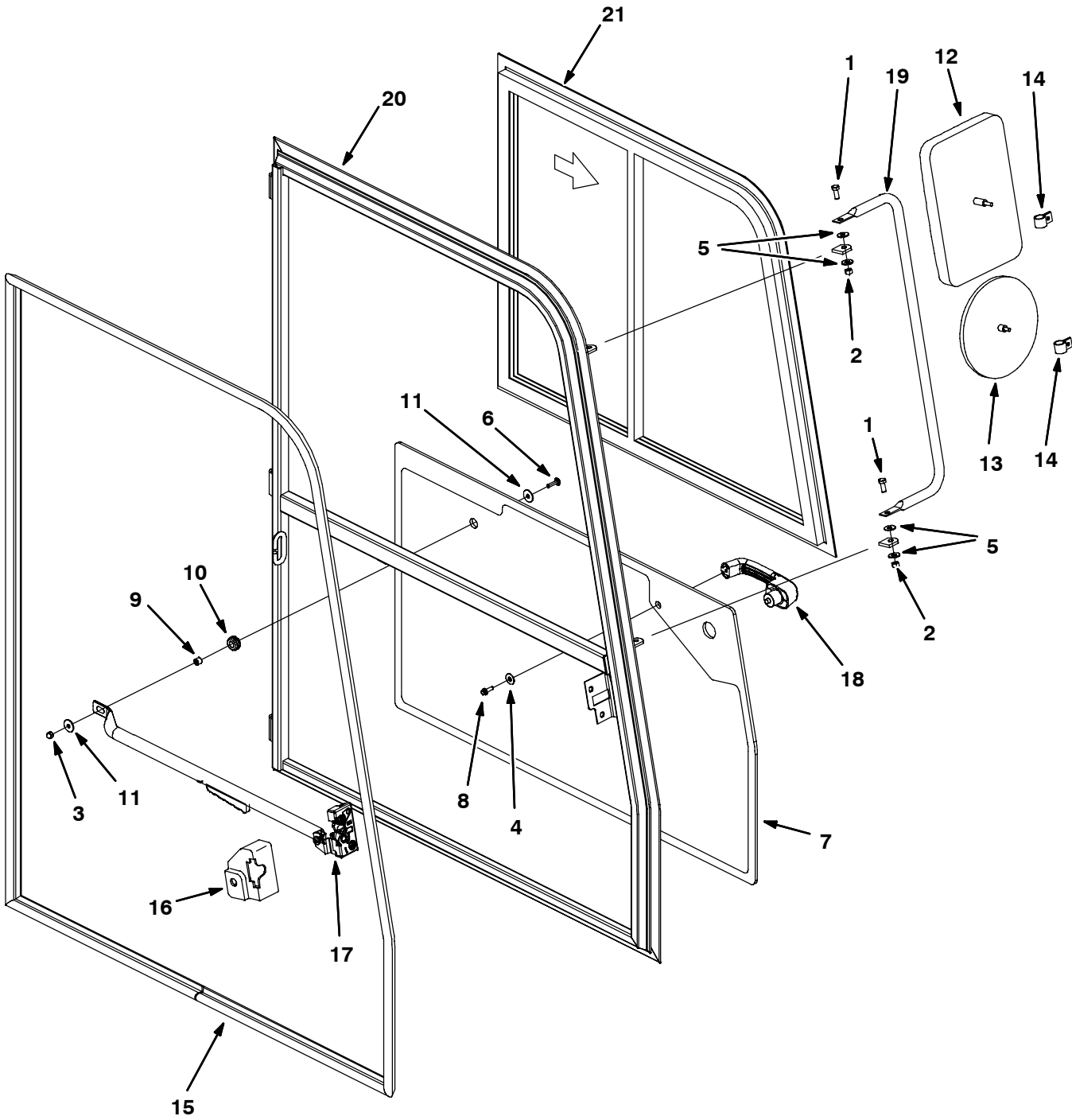


Fig. 43 - Cab Door Group, Left

	Ref.	Part No.	Serial Number	Description	Qty.
▽		372286	(000000-	) Door Assy, Lh	1
▲	1	41620	(000000-	) Screw, Hex, .31-18 X 1.00, 8	2
▲	2	372312	(000000-	) Nut, Clinch, .31-18, G8	2
▲	3	372313	(000000-	) Nut, .25-20	1
▲	4	372314	(000000-	) Washer, 0.31b 0.88d .06, Nyl, Blk	3
▲	5	372315	(000000-	) Washer, 0.38b 0.88d .08	2
▲	6	372316	(000000-	) Scrw, Trs, .25-20 X 1.00	1
▲	7	372332	(000000-	) Pane, Wndw, Lower, Lh	1
▲	8	372317	(000000-	) Screw, Flng, M6 X 1 X 20	1
▲	9	372318	(000000-	) Bushing, 0.26b 0.50d, Nyl, White	1
▲	10	372319	(000000-	) Grommet, Rbr, .500, .812, 1.062, .250	1
▲	11	372320	(000000-	) Washer, 0.28b 1.00d .06	2
▲	12	761914	(000000-	) Mirror, Convex	1
▲	13	68445	(000000-	) Mirror, Convex, 08.0d	1
▲	14	761915	(000000-	) Clamp, Dovetail	2
▲	15	761981	(000000-	) Seal	1
▲	16	372328	(000000-	) Cover, Latch, Handle, Lh	1
▲	17	372329	(000000-	) Lever, Release, Int, Lh	1
▲▽	18	372324	(000000-	) Handle, Door, Ext	1
▲▲		1016370	(000000-	) Key, Door, Cab [Sentinel]	1
▲	19	769653	(000000-	) Bracket, Mtg, Mirror, 24.5"	1
▲	20	372330	(000000-	) Door Wldt, Lh	1
▲	21	372331	(000000-	) Pane, Wndw, Slide, Lh	1

**Fig. 44 - Cab Upper and Front Console Group**

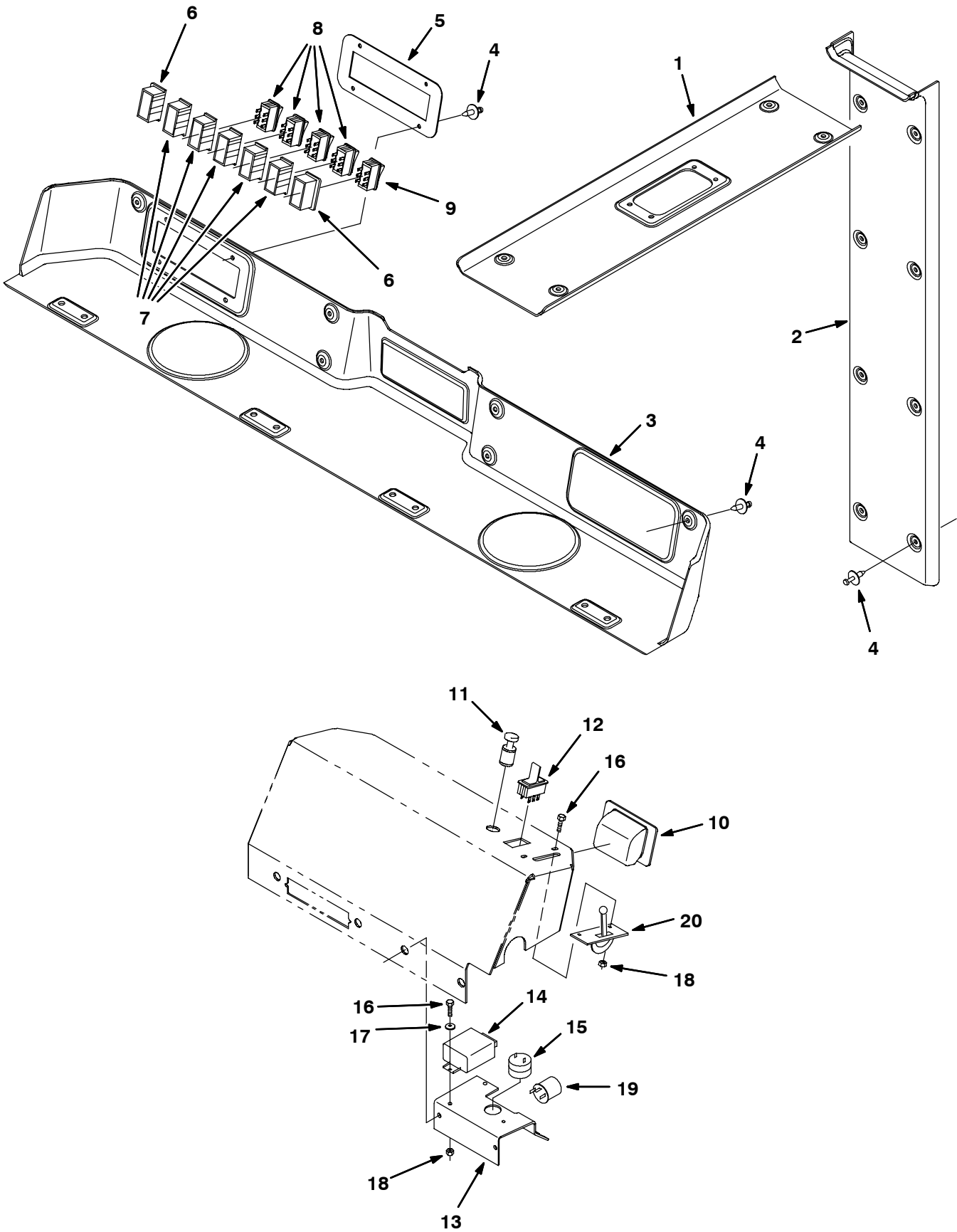


Fig. 44 - Cab Upper and Front Console Group

Ref.	Part No.	Serial Number	Description	Qty.
1	768430	(000000-	) Cover, Top	1
2	768431	(000000-	) Cover, Back	1
3	768425	(000000-	) Panel, Console, Upper, Switch	1
4	72970	(000000-	) Rivet, Plstc, .250d X 0.898	30
5	768443	(000000-	) Plate, Switch, Upper	1
6	762519	(000000-	) Bezel	2
7	762520	(000000-	) Bezel, Center	5
8	762522	(000000-	) Switch, Rocker, 28vdc 15a Spst On/Of	4
9	762523	(000000-	) Switch, Rocker, 28vdc 15a Dpst On/Of	1
10	761952	(000000-	) Ashtray, Side Mounting, Chr	1
11	761954	(000000-	) Lighter, Cigarette, 12Vdc	1
12	762525	(000000-	) Switch, Rocker, 250Vac 10A Dpdt On/Of/On	1
13	768453	(000000-	) Bracket, Cable, Throttle	1
14	762604	(000000-	) Controlbox, Pre-Heat	1
15	762547	(000000-	) Buzzer	1
16	06942	(000000-	) Screw, Hex, M6 X 1.0 X 16, 8.8	5
17	19066	(000000-	) Washer, Flt, #10	2
18	08708	(000000-	) Nut, Hex, Lock, M 6 X 1.0, NI	5
19	31922	(000000-	) Flasher, Hd, 12vdc 25a, [10-57300]	1
20	768458	(000000-	) Lever, Throttle Contrl	1

**Fig. 45 - Cab Center Console and Seat Group**

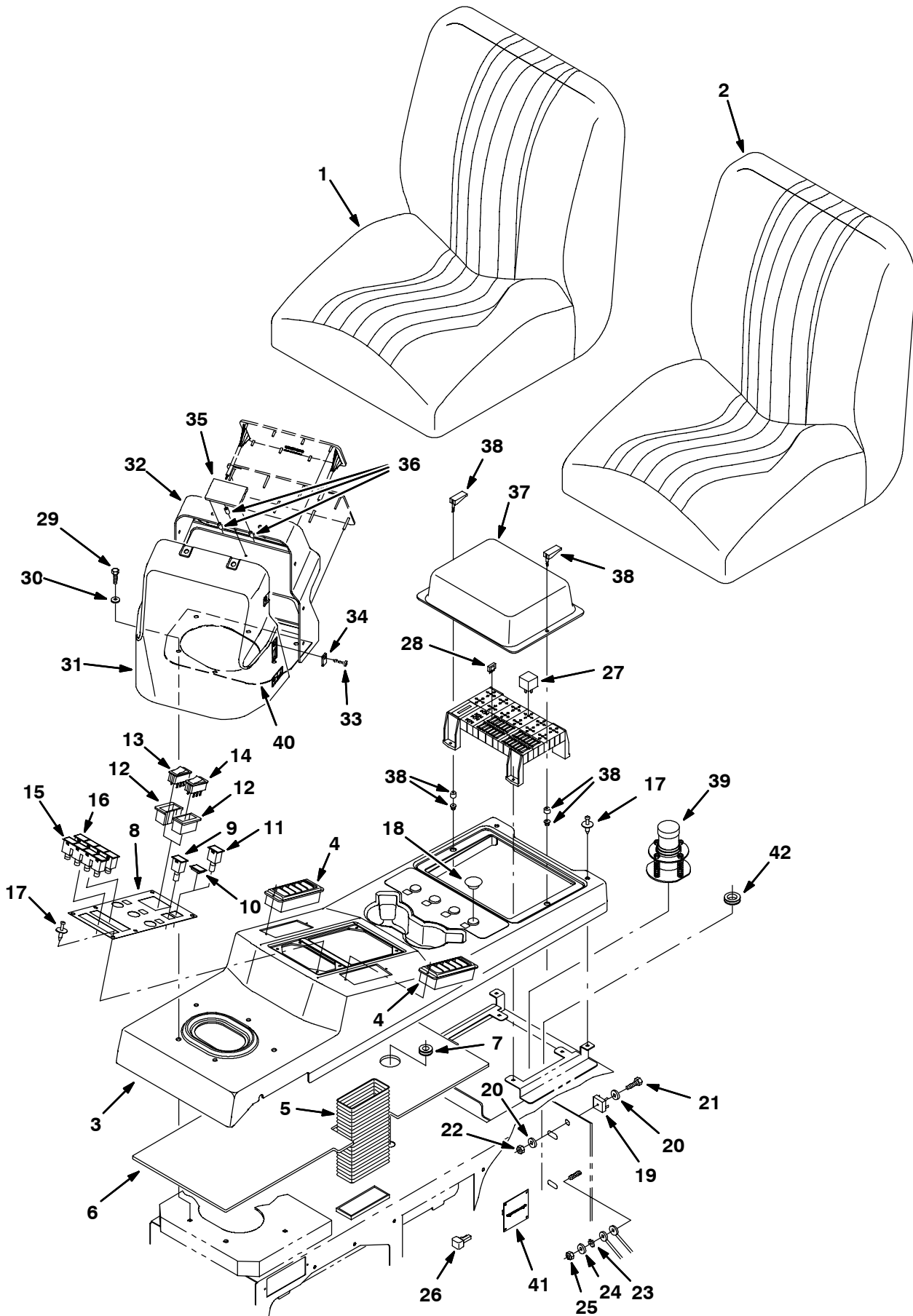




Fig. 45 - Cab Center Console and Seat Group

Ref.	Part No.	Serial Number	Description	Qty.
1	768493	(000000-	) Seat, Suspension, W/Connector	1
2	768485	(000000-	) Seat	1
2	765283	(000000-	) Kit, Seat, Suspension, Passenger	1
3	768432	(000000-	) Panel, Concole, Control, Center	1
4	769618	(000000-	) Louver, Adj, Heat-A/C	2
5	768492	(000000-	) Duct, Air	2
6	768595	(000000-	) Insulation, Acstc, Console	1
7	10632-2	(000000-	) Grommet, Rbr, 0.62id, F/ 0.9h, .12matl	1
8	768446	(000000-	) Bezel, Switch	1
9	768601	(000000-	) Lamp, Warning	1
10	768596	(000000-	) Plug, Lamp, Black	1
11	768554	(000000-	) Lamp, Warning	1
12	762519	(000000-	) Bezel	2
13	768610	(000000-	) Kit, Switch	1
14	768609	(000000-	) Kit, Switch	1
15	768551	(000000-	) Lamp, Warning	1
16	768552	(000000-	) Lamp, Warning	1
17	72970	(000000-	) Rivet, Plstc, .250d X 0.898	8
18	01493	(000000-	) Button, Plug, 1.00H .03-.12 [Black Nyl]	4
19	10962	(000000-	) Diode, Bridge 12.0a	2
20	19065	(000000-	) Washer, Flat, #08	4
21	06928	(000000-	) Screw, Pan, M 4 X 0.7 X 20, 4.8	2
22	02850	(000000-	) Nut, Hex, Lock, M 4 X 0.7, NI	2
23	41142	(000000-	) Washer, Lock, Int-Ext, .38	1
24	32491	(000000-	) Washer, Flat, 0.31 Std	1
25	08709	(000000-	) Nut, Hex, Lock, M8 X 1.25, NI	1
26	222290	(000000-	) Diode, Ele, Plug	10
27	57804	(000000-	) Relay, 12vdc, 40a, Spdt	10
28	762513	(000000-	) Fuse, 10 Amp	6
28	762514	(000000-	) Fuse, 15 Amp	7
28	762515	(000000-	) Fuse, 20 Amp	2
28	762583	(000000-	) Fuse, 25amp	1
28	762516	(000000-	) Fuse, 30 Amp	3
28	1009751	(000000-	) Fuse, 80a [Maxi]	1
29	16931	(000000-	) Screw, Hex, M8 X 1.25 X 20, 8.8	5
30	32490	(000000-	) Washer, Flat, 0.25 Std	5
31	768434	(000000-	) Shroud, Instmt	1
32	768433	(000000-	) Bezel, Case, Instmt	1
33	763149	(000000-	) Screw, Pan, #06-?? X 0.38, F/Plstc PI	8
34	12271	(000000-	) Nut, U, M06 X 1.0	8
35	768581	(000000-	) Circuitboard, Power Supply	1
36	768603	(000000-	) Support, Circuitboard	3
37	1008586	(000000-	) Cover, Panl, Fuse, Cab [Sentinel]	1
38	768451	(000000-	) Latch, Cover, Access	2
39	768580	(000000-	) Sensor Assy, Directional, Level	1
40	768449	(000000-	) Plate, Console, Hold-Down	1
41	1008297	(000000-	) Circuitboard, Diode / Timer, Vario	1
42	10632	(000000-	) Grommet, Rbr, 0.89id, F/ 1.2h, .14matl	2

Fig. 46 - Cab Lights, Visor, and Pedal Group

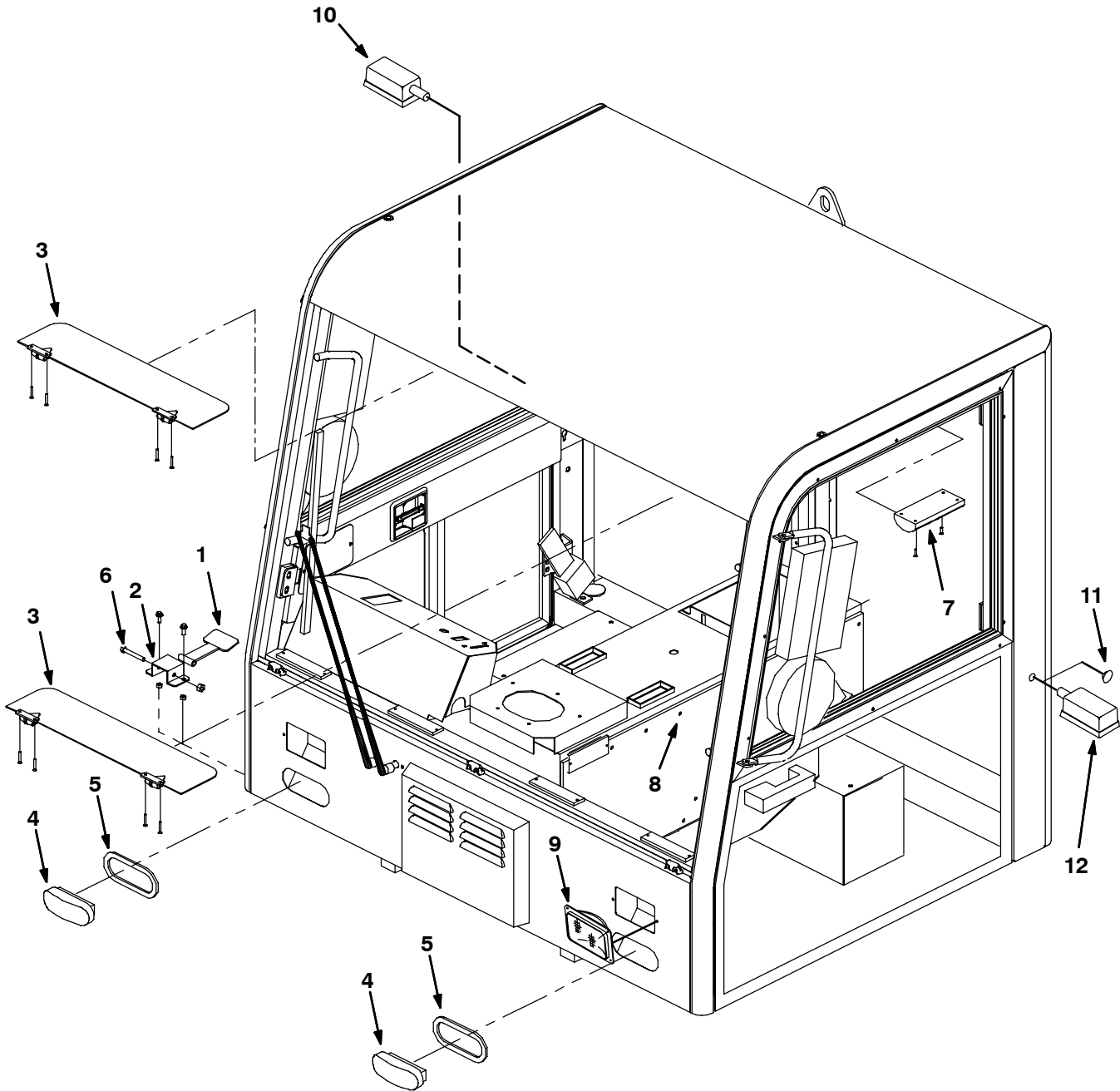


Fig. 46 - Cab Lights, Visor, and Pedal Group

Ref.	Part No.	Serial Number	Description	Qty.	
1	769651	(000000-	) Wldt, Accelerator Pe	1	
2	769652	(000000-	) Bracket, Accelerator	1	
3	769656	(000000-	) Sun Visor	2	
4	761881	(000000-	) Light, Signal, Amber	2	
5	769607	(000000-	) Grommet, Turn Signal	2	
6	35706	(000000-	) Bolt, .374-16X2.75	1	
7	768570	(000000-	) Dome Light W/Map 12V	1	
8	769626	(000000-	) Screw, .25-20X.75Blk	8	
▽	9	768550	(000000-	) Headlight, Assy	2
▲		768607	(000000-	) Lamp #4	1
▽	10	768591	(000000-	) Side Brush Light R.H.	1
▲		768606	(000000-	) Bulb	1
	11	56992	(000000-	) Button, Plug, 0.50h .03-.12 [Black Nyl]	1
▽	12	768591	(000000-	) Side Brush Light L.H.	1
▲		768606	(000000-	) Bulb	1

Fig. 47 - Cab Heater Group

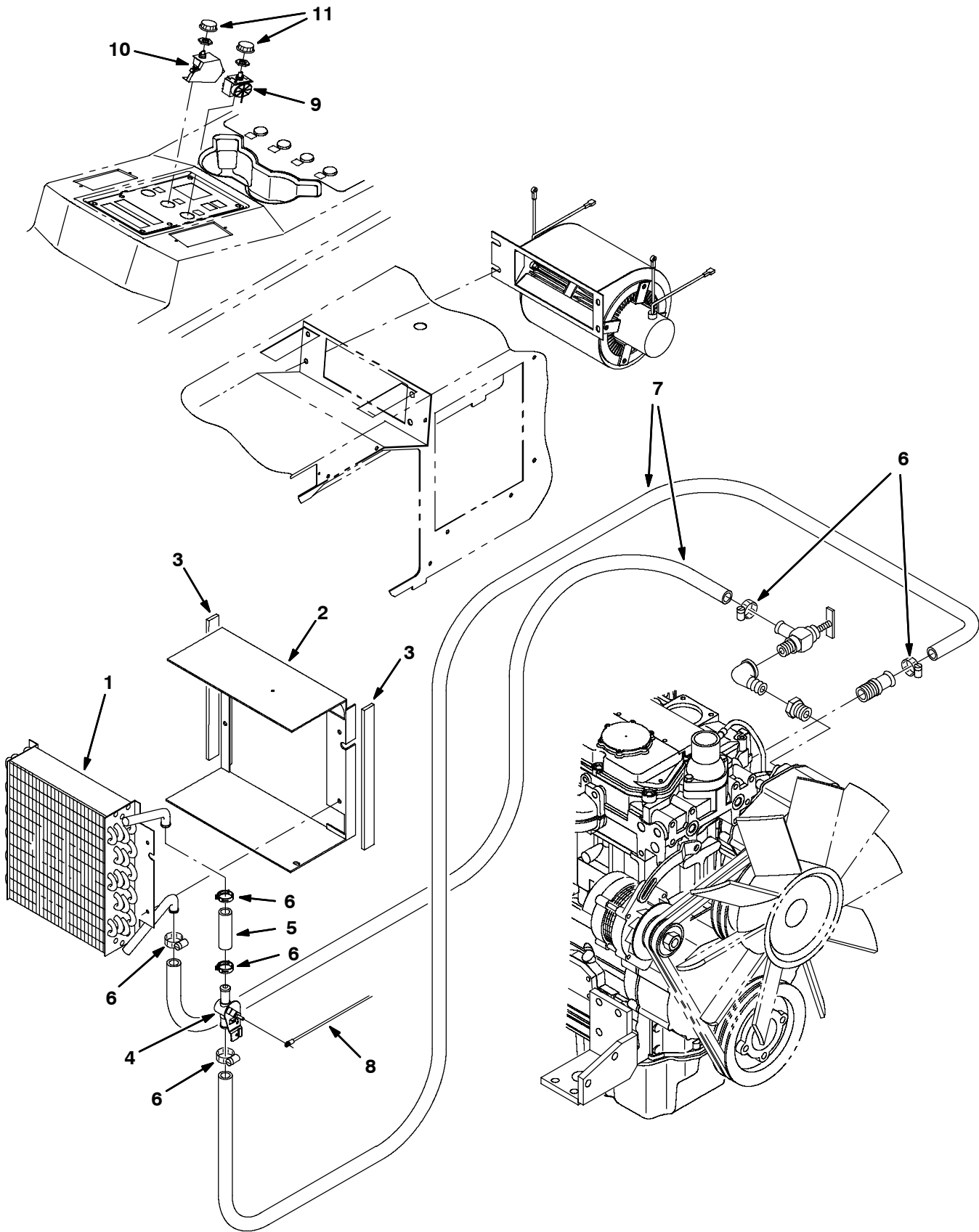


Fig. 47 - Cab Heater Group

Ref.	Part No.	Serial Number	Description	Qty.
1	769024	(000000-	) Coil, Heater	1
2	769039	(000000-	) Bracket, Coil	1
3	769040	(000000-	) Seal, Weatherstrip	2
4	761950	(000000-	) Valve, Water	1
5	769038	(000000-	) Hose, Heater	1
6	63810	(000000-	) Clamp, Wormdrive	6
7	769046	(000000-	) Hose, Heater	2
8	761946	(000000-	) Cable, Push-Pull	1
9	761927	(000000-	) Cable, Rotary Control	1
10	761924	(000000-	) Switch, Fan, 3-Speed	1
11	761926	(000000-	) Knob, Switch	2

Fig. 48 - Cab Blower Assembly

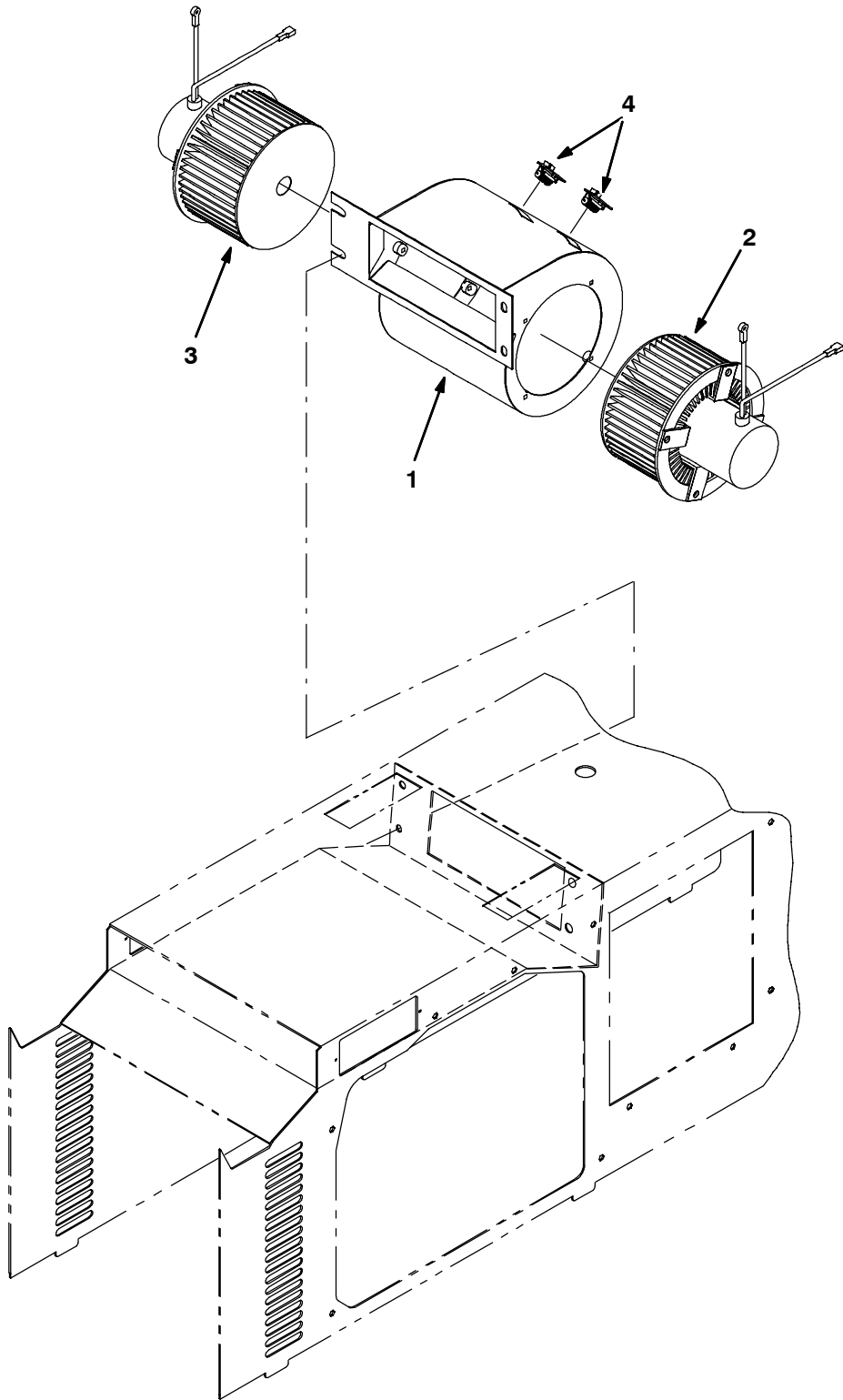


Fig. 48 - Cab Blower Assembly

	Ref.	Part No.	Serial Number	Description	Qty.
▽		769036	(000000-	) Blower, Assy	1
▲	1	769033	(000000-	) Housing, Blower	1
▲	2	769032	(000000-	) Motor Assy, 12vdc, Blower, Lh	1
▲	3	769031	(000000-	) Motor Assy, 12vdc, Blower, Rh	1
▲	4	761936	(000000-	) Resistor, Block	2

Fig. 49 - Electrical Instrument Panel Assembly

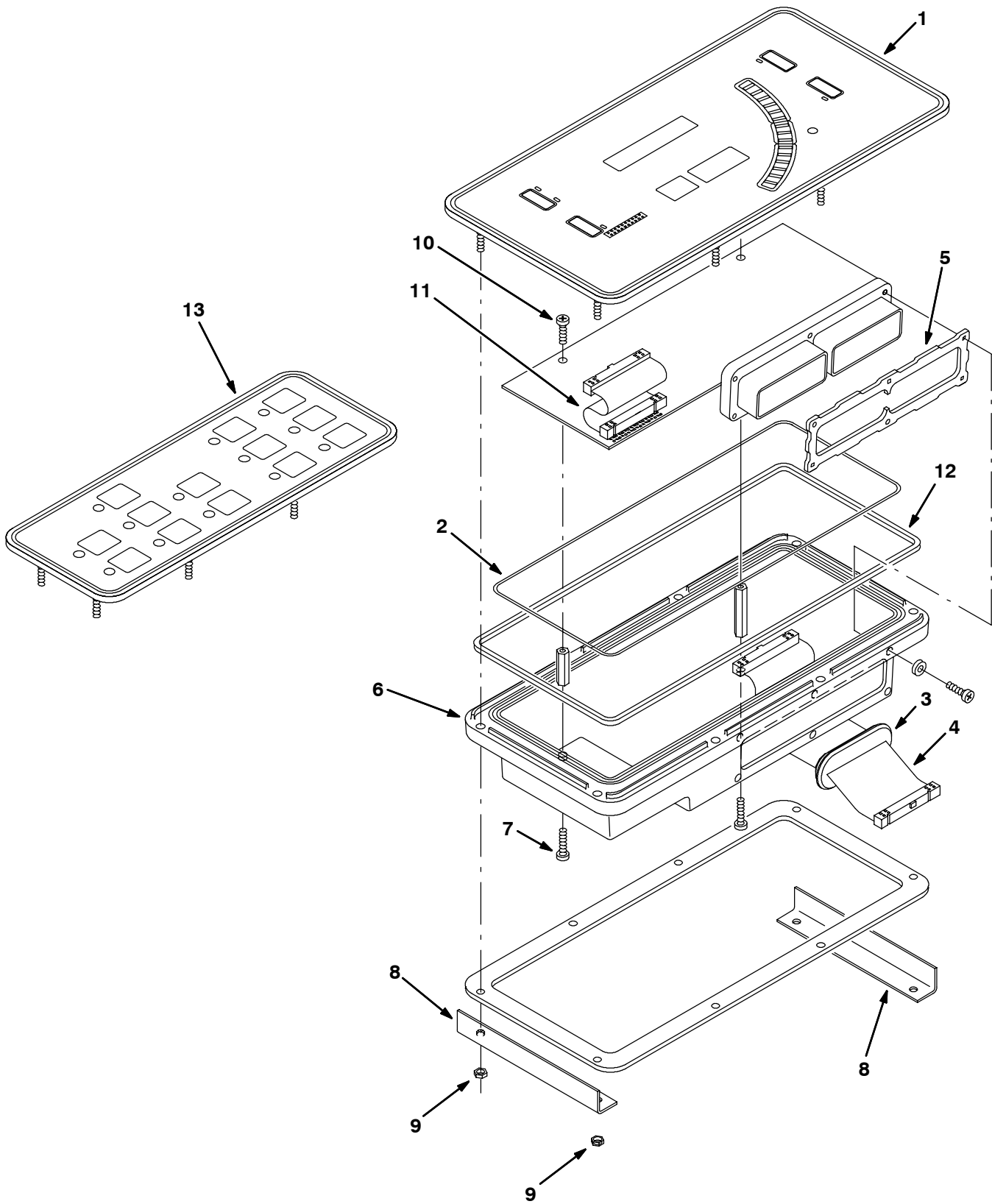




Fig. 49 - Electrical Instrument Panel Assembly

Ref.	Part No.	Serial Number	Description	Qty.
▽	1009314	(000000-	) Panel Assy, Instmt, W/ Touch Panl	1
▲▽	767647	(000000-	) Panel Assy, Instmt [Sentinel]	1
▲▲	1 768587	(000000-	) Panel, Instrument	1
▲▲	2 73219	(000000-	) O Ring Seal	1
▲▲	3 27928	(000000-	) Grommet, Ribbon Cable	1
▲▲	4 768583	(000000-	) Cable, Ribbon, 34 Conductor	1
▲▲	5 364943	(000000-	) Seal, Connector, 60 Pin	1
▲▲	6 768584	(000000-	) Box, Instrument	1
▲▲	7 364942	(000000-	) Screw, Pan	2
▲▲	8 364292	(000000-	) Bracket, L	2
▲▲	9 02850	(000000-	) Nut, Hex	8
▲▲	10 32515	(000000-	) Screw, Pan	2
▲▲	11 768582	(000000-	) Cable, Ribbon, 20 Conductor	1
▲▲	12 365183	(000000-	) Gasket, Box, Instrument	1
▲	13 768586	(000000-	) Panel, Touch	1
	9000452	(000000-	) Controller Kit, Micro, Replmt [Sentinel]	1
	27964	(000000-	) Static Strap	1



Fig. 50 - Steering Wheel Group

Ref.	Part No.	Serial Number	Description	Qty.
	1	768481	(000000- ) Wheel, Steering	1
	2	768482	(000000- ) Cover, Steering Wheel	1
▽	3	762501	(000000- ) Steering Column Switch	1
▲	4	762601	(000000- ) Switch, Assy Wipers	1
▲	5	762602	(000000- ) Switch, Assy Turn/Lights	1
▲	6	762603	(000000- ) Screw, Switch Assy	2
	7	771014	(000000- ) Steer-Control, Hyd,10 04.5 4000	1
	8	762438	(000000- ) Ftg-Hyd, Str	4
	9	762427	(000000- ) Ftg-Hyd, Elbow, 4-6	1
	10	762504	(000000-007709 ) Switch, Key, Steering Column	1
	11	762517	(000000-007709 ) Key, Ignition Switch	2
	12	768480	(000000-007053 ) Column, Steering, 29.0l .81d 36tooth	1
	12	1034397	(007054- ) Column, Steering, 29.0l .81d 36tooth	1
	13	768457	(000000- ) U Bolt	1
	14	57676	(000000- ) Nut, Steering Wheel	1
	15	770023	(000000-007053 ) Rod, Thrd	1
	16	26565	(000000-007053 ) Knob, Ball, 1.25d 0.38-16 Plstc	1
	17	82727	(007710- ) Plug, Hole, Rnd, 0.88h .03-.12, Blk Nyl	1
	18	762504	(007710- ) Switch, Ignition [Cobo]	1
	19	762517	(007710- ) Key, Switch, Ignition	2

Fig. 51 - Brush Group, Right Side

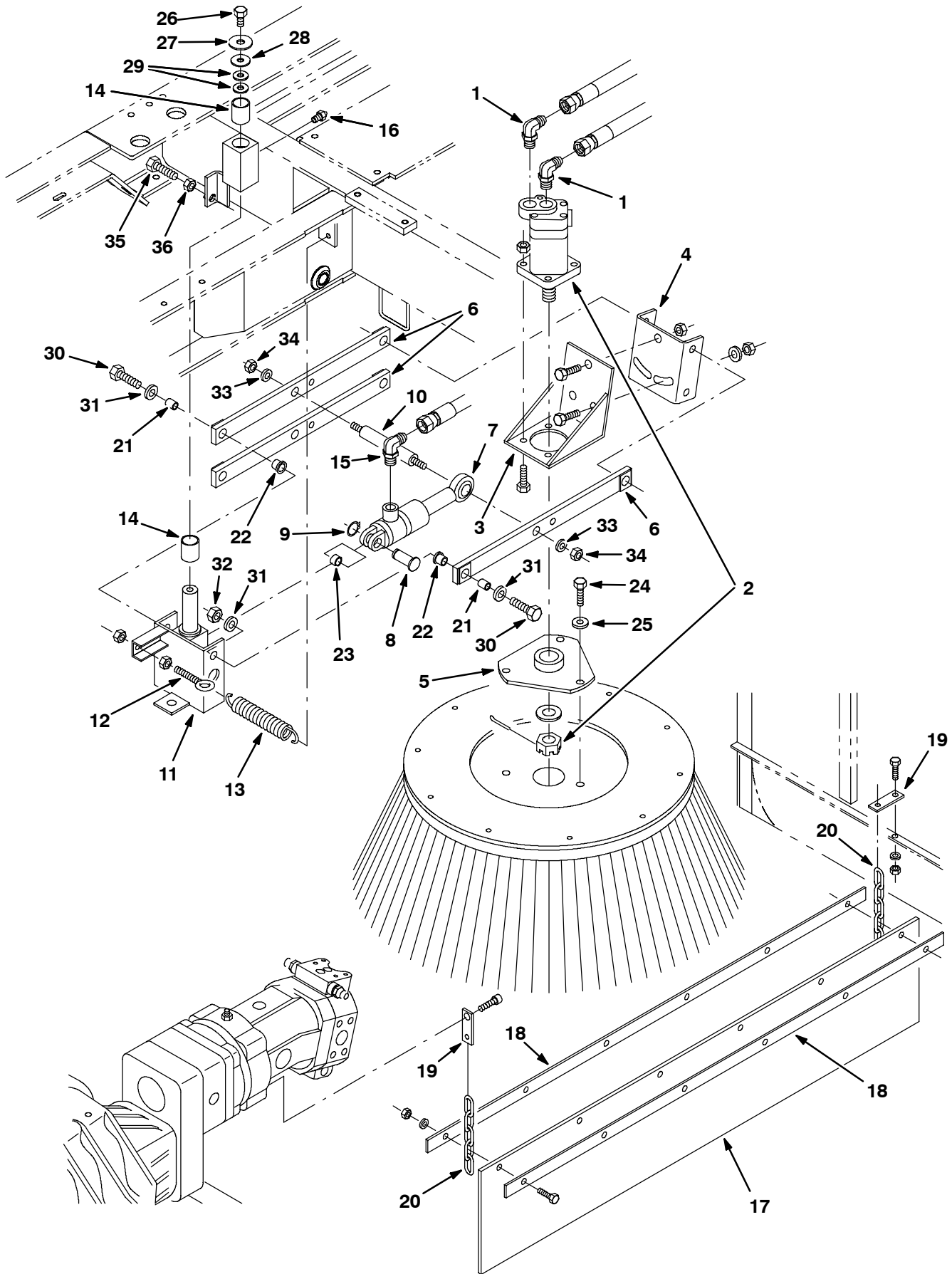
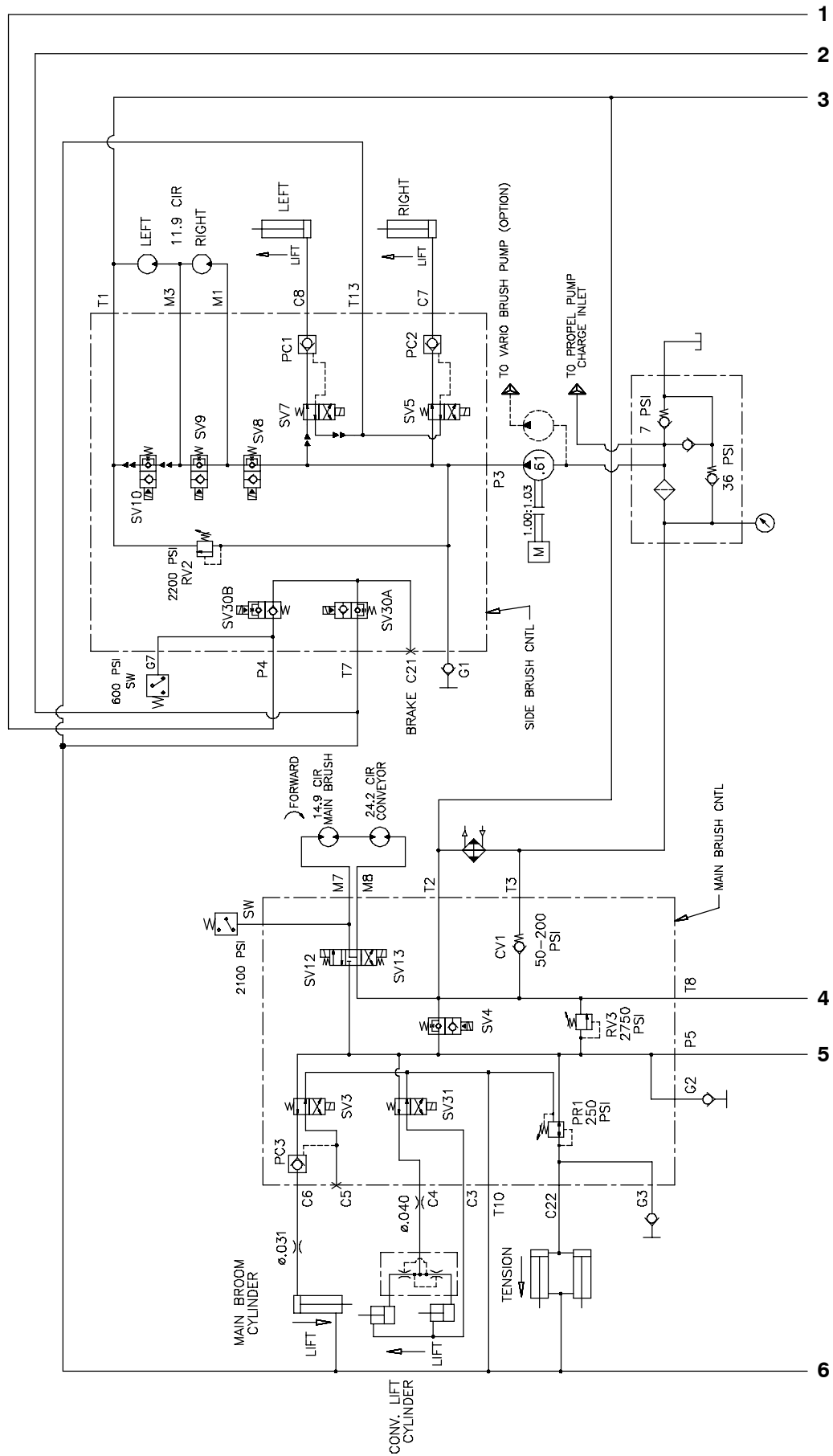


Fig. 51 - Brush Group, Right Side

Ref.	Part No.	Serial Number	Description	Qty.
	1	1007954	(000000- ) Fitting, Hyd, E90, Fm06/Om10	2
▽	2	771072	(000000- ) Motor, Hyd, Gear, [In] 11.9 B 3000	1
▲	1031670	(000000- ) Seal Kit, Motor, Hyd, Gear	1	
	3	761209	(000000- ) Bracket, Hyd. Motor Support	1
	4	768834	(000000- ) Channel Weldt, Lower Support	1
	5	761428	(000000- ) Hub Weldt, Side Brush	1
	6	768836	(000000- ) Bar, Brush Support	3
▽	7	1028505	(000000- ) Cylinder, Hyd, 1.8b 07.7l 01.70strk 3000	1
▲	762073	(000000- ) Kit, Seal, Cyl, Hyd	1	
	8	761229	(000000- ) Pin, Hyd. Cylinder	1
	9	763005	(000000- ) Retaining Ring, M16	1
	10	767644	(000000- ) Shaft, Side Brush	1
	11	768843	(000000- ) Bracket, Side Brush Rh	1
	12	761225	(000000- ) Eyebolt, .50-13X3.5"	1
	13	761223	(000000- ) Spring	1
	14	763003	(000000- ) Bearing	2
	15	762432	(000000- ) Fitting, Hyd, E90, Om06/ Fm06	1
	16	47801	(000000- ) Ftg, Grease.25-28Th Strt .63L	1
	17	761215	(000000- ) Skirt, Rubber	1
	18	761216	(000000- ) Retainer, Skirt	2
	19	761217	(000000- ) Bracket, Skirt (on wet machine only)	2
	20	40758	(000000- ) Chain, Link#2/08 5Links, Br. Zinc	2
	21	768842	(000000- ) Tube	6
	22	767641	(000000- ) Bearing, Flange	6
	23	763007	(000000- ) Bearing	1
	24	39285	(000000- ) Screw, Hex, M10 X 1.5 X 40, 8.8	3
	25	763042	(000000- ) Washer, Belleville, M10	3
	26	41346	(000000- ) Screw, Hex, M12 X 1.75 X 30, 8.8	1
	27	763074	(000000- ) Washer, Flat, M16, Fender [Din9021]	1
	28	763043	(000000- ) Washer, Belleville, M12	1
	29	763139	(000000- ) Washer, Flat, 1.12 Sae	2
	30	06971	(000000- ) Screw, Hex, M12 X 1.75 X 50, 8.8	6
	31	32486	(000000- ) Washer, Flat, 0.50 Sae	12
	32	08167	(000000- ) Nut, Hex, Stover, M12 X 1.75	6
	33	15331	(000000- ) Washer, Flat, 0.62 Sae	2
	34	33342	(000000- ) Nut, Hex, Lock, M16 X 2.0, NI	2
	35	06416	(000000- ) Screw, Hex, M12 X 1.75 X 50, FI	1
	36	763065	(000000- ) Nut, Hex, Jam, M12 X 1.75, [Din439]	1

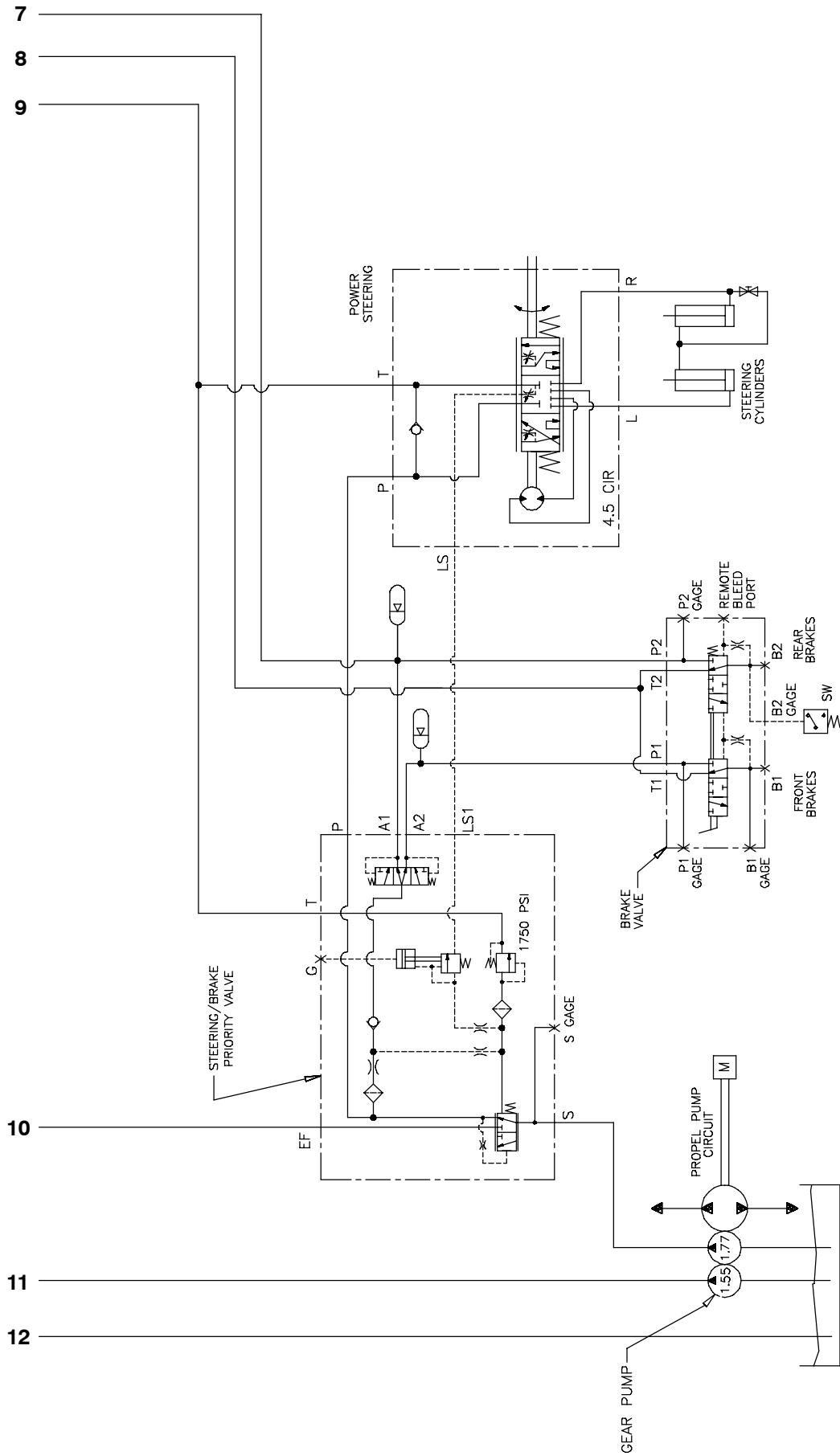
Fig. 52 - Hydraulic Schematic



1009593



Fig. 52 - Hydraulic Schematic



1009593



Fig. 52 - Hydraulic Schematic

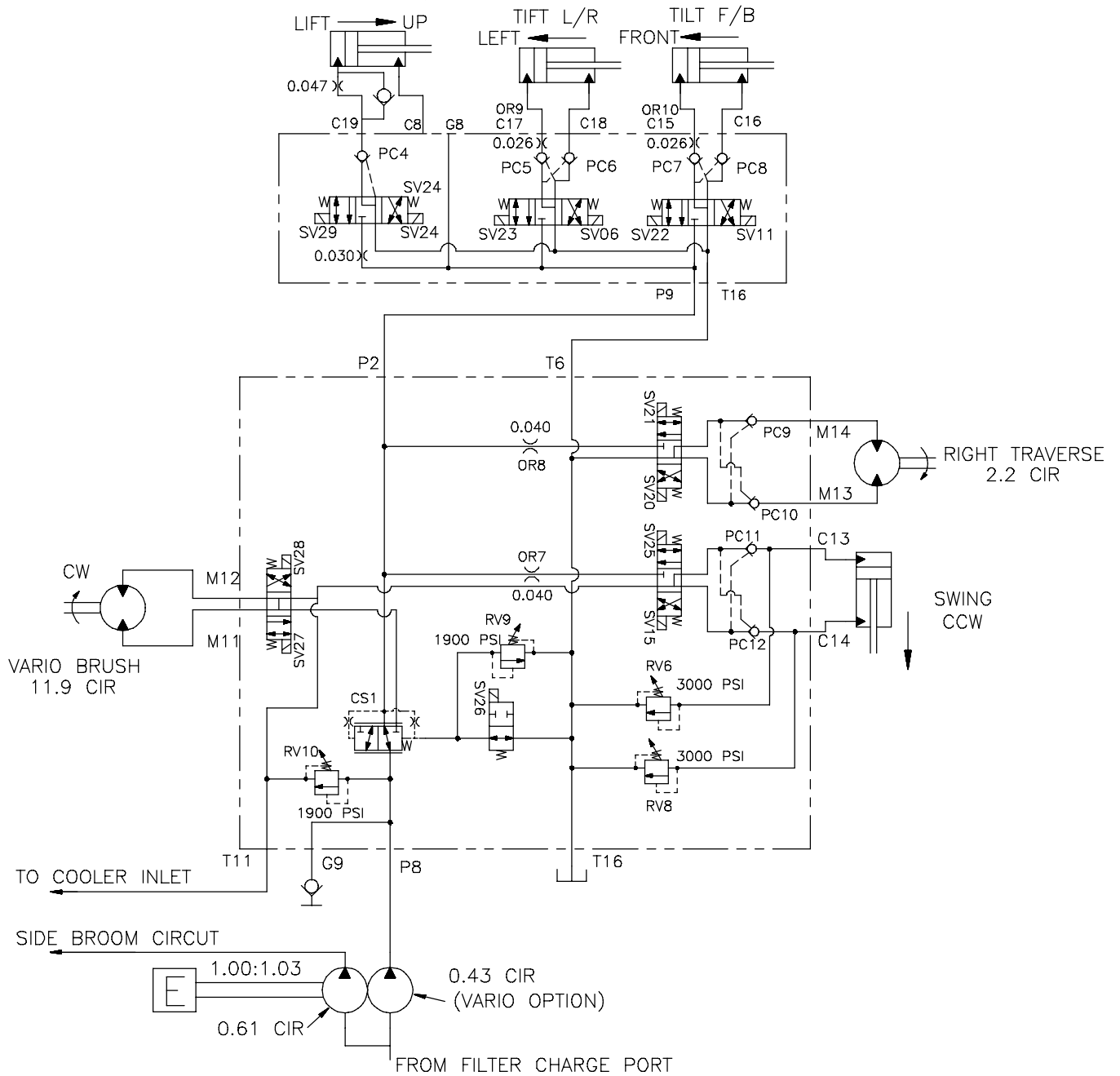
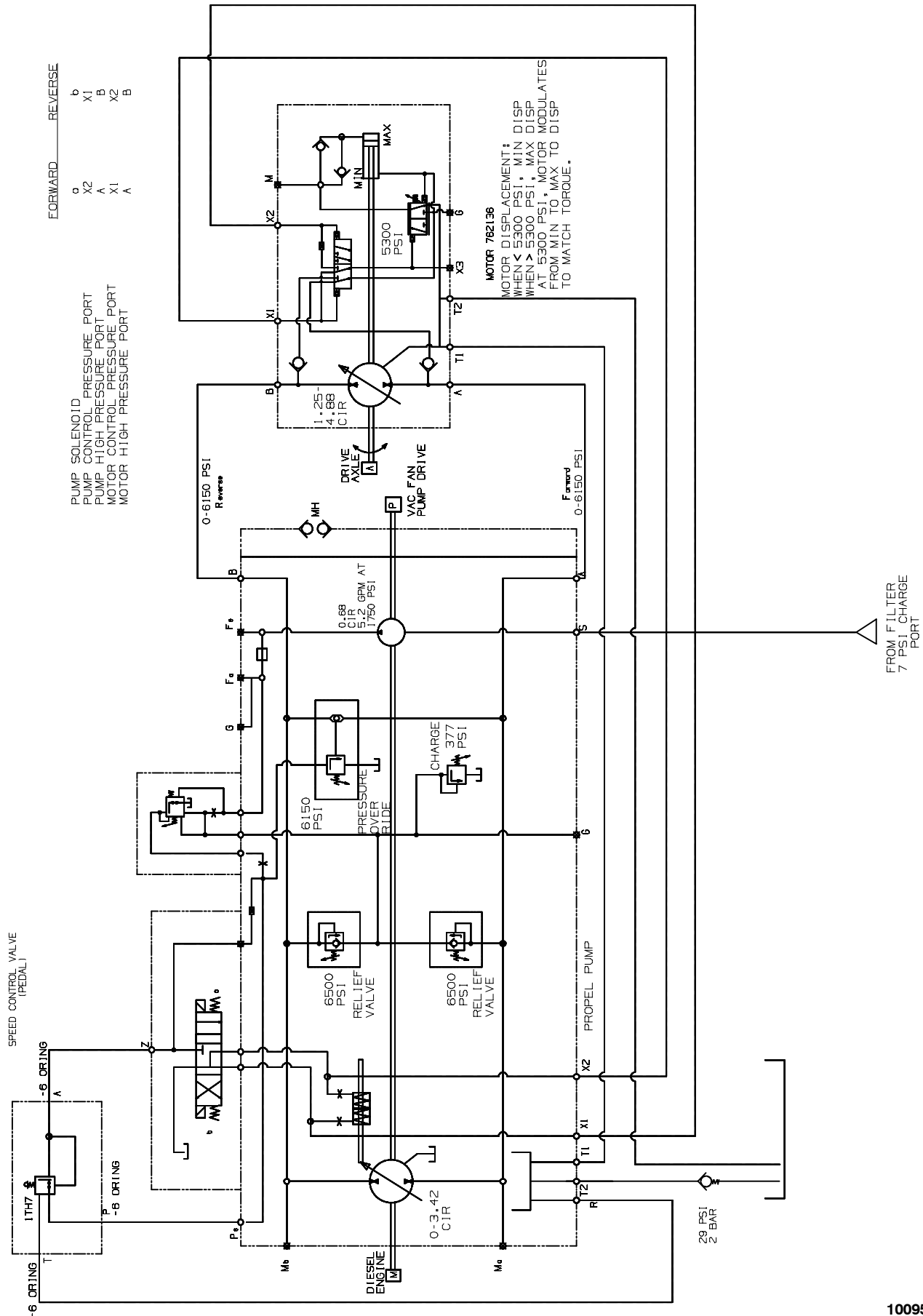


Fig. 52 - Hydraulic Schematic



FORWARD REVERSE  
 0 X2 b  
 A X1 X1  
 X1 X2 B  
 A X2 B

PUMP SOLENOID  
 PUMP CONTROL PRESSURE PORT  
 PUMP HIGH PRESSURE PORT  
 MOTOR CONTROL PRESSURE PORT  
 MOTOR HIGH PRESSURE PORT

MOTOR 762136  
 MOTOR DISPLACEMENT:  
 WHEN < 5300 PSI, MIN DISP  
 WHEN > 5300 PSI, MAX DISP  
 AT 5300 PSI, MOTOR MODULATES  
 FROM MIN TO MAX TO DISP  
 TO MATCH TORQUE.

FROM FILTER  
 7 PSI CHARGE  
 PORT



**Fig. 53 - Hydraulic Hose Group, Low Dump**

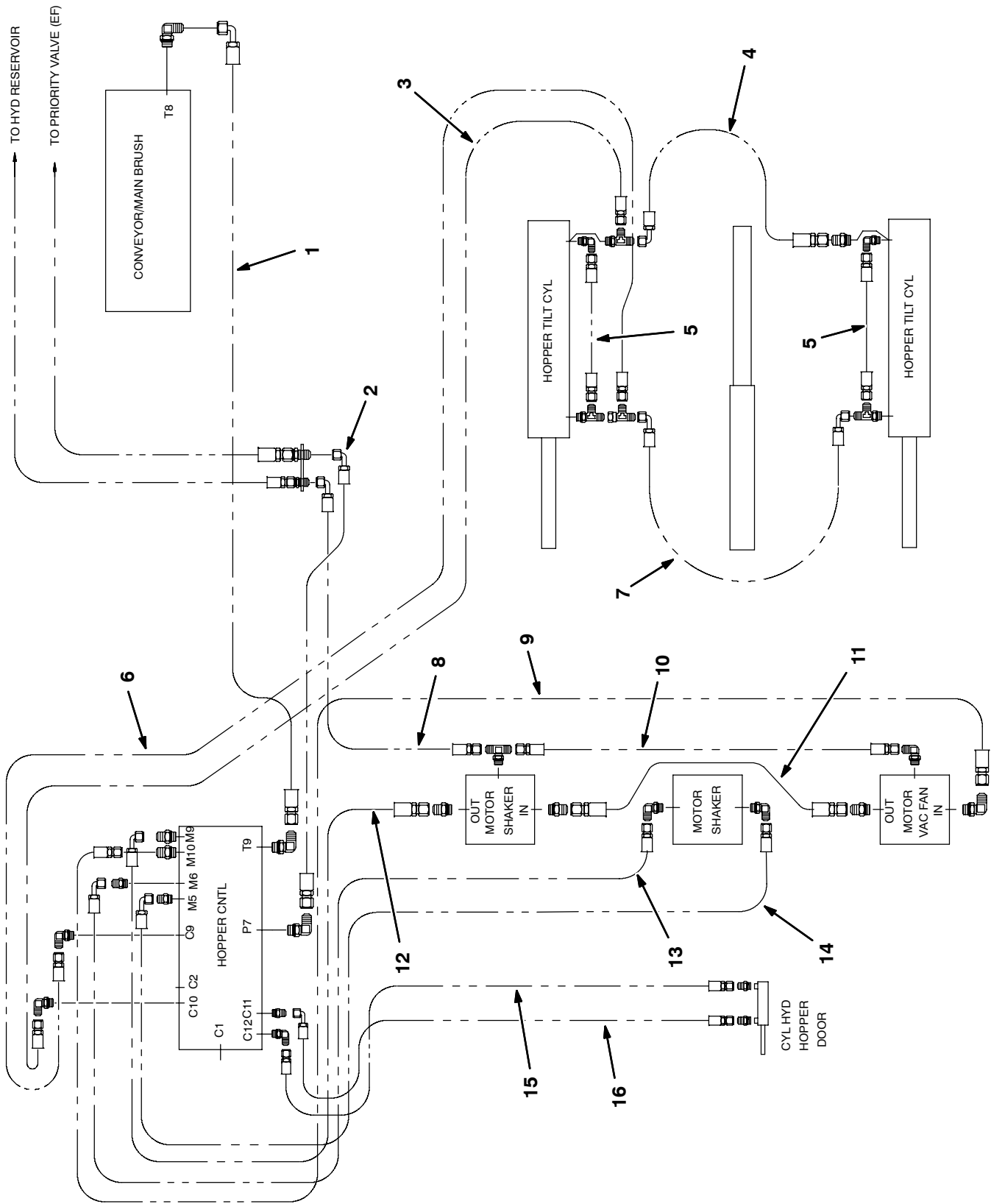


Fig. 53 - Hydraulic Hose Group, Low Dump

Ref.	Part No.	Serial Number	Description	Qty.
1	771098	(000000-	) Hose, Hyd,Tc 10, Ff10str /Ff10e90 , 82.0	1
2	767333	(000000-	) Hose, Hyd,Tc 10, Ff10str /Ff10e90 , 49.0	1
3	767225	(000000-	) Hose, Hyd,Tc 06, Ff06str /Ff06str , 77.0	1
4	762335	(000000-	) Hose, Hyd,Tc 06, Ff06str /Ff06e90 , 20.0	1
5	762349	(000000-	) Hose, Hyd,Tc 06, Ff06str /Ff06str , 18.0	2
6	767224	(000000-	) Hose, Hyd,Tc 06, Ff06str /Ff06str , 83.0	1
7	762350	(000000-	) Hose, Hyd,Tc 06, Ff06e90 /Ff06e90 , 21.5	1
8	767290	(000000-	) Hose, Hyd,Tc 06, Ff06str /Ff06e90 ,101.5	1
9	767232	(000000-	) Hose, Hyd,Tc 10, Ff10str /Ff10e90m,124.5	1
10	767234	(000000-	) Hose, Hyd,Tc 06, Ff06str /Ff06str , 25.5	1
11	767231	(000000-	) Hose, Hyd,Tc 10, Ff10str /Ff10str , 21.0	1
12	767230	(000000-	) Hose, Hyd,Tc 10, Ff10str /Ff10e90 , 71.0	1
13	767235	(000000-	) Hose, Hyd,Tc 06, Ff06str /Ff06e90 , 82.5	1
14	767236	(000000-	) Hose, Hyd,Tc 06, Ff06str /Ff06e90 , 86.0	1
15	767238	(000000-	) Hose, Hyd,Tc 04, Ff04str /Ff04str , 26.0	2
16	767237	(000000-	) Hose, Hyd,Tc 04, Ff04str /Ff04e90, 26.0	1

**Fig. 54 - Hydraulic Hose Group, Cab**

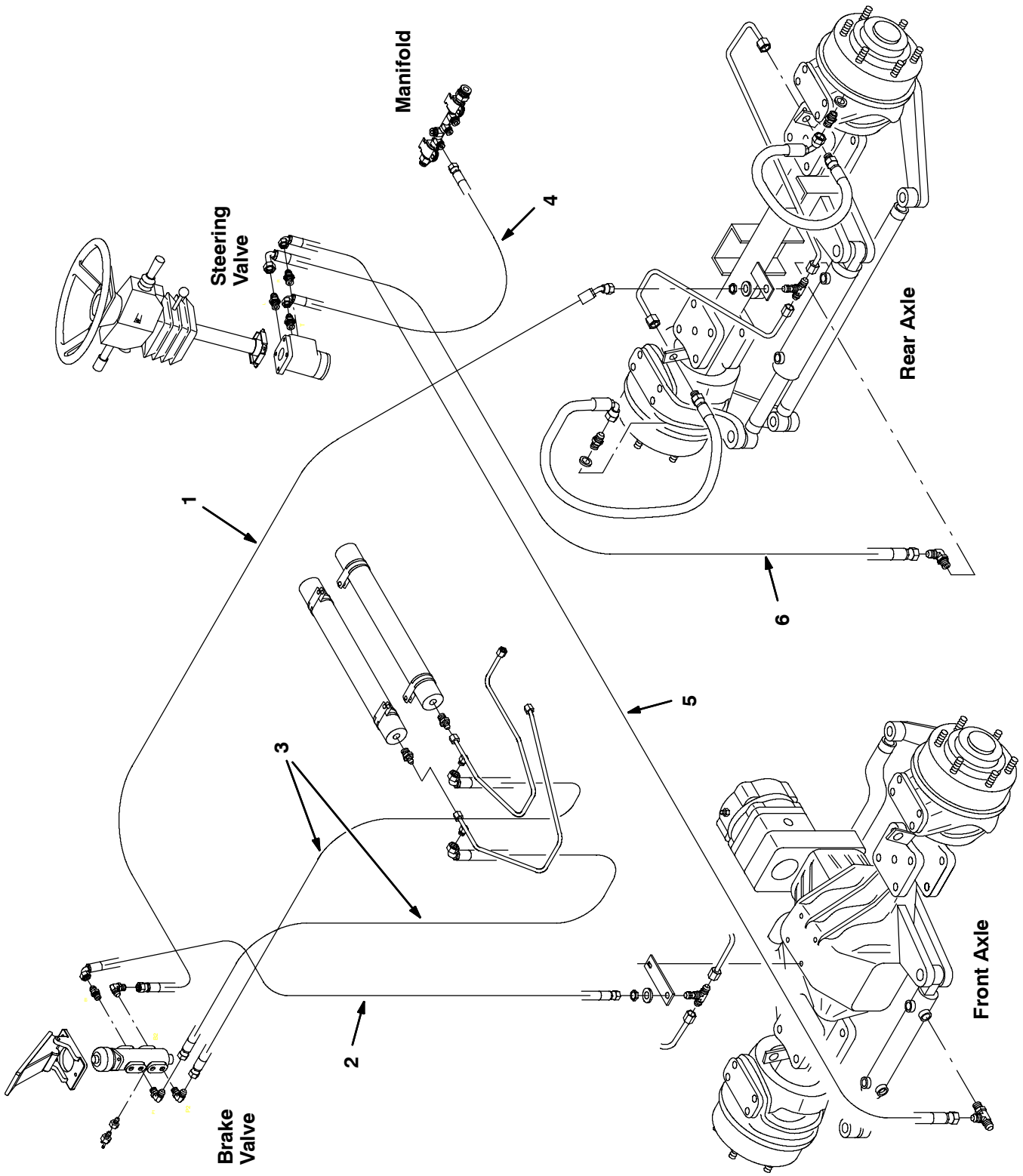


Fig. 54 - Hydraulic Hose Group, Cab

Ref.	Part No.	Serial Number	Description	Qty.
1	770002	(000000-	) Hose, Hyd,Tc 04, Jf04E45 /Ff04Str, 252.0	1
2	1007893	(000000-	) Hose, Hyd,Tc 04, Jf04str /Ff06e90 , 50.0	1
3	79840	(000000-	) Hose, Hyd,Tc 06, Ff06Str /Ff06E90 , 21.0	2
4	1007891	(000000-	) Hose, Hyd,Med06, Ff06str /Ff06e90l,100.0	1
5	767241	(000000-	) Hose, Hyd,Tc 06, Ff06Str /Ff06E90 , 59.5	1
6	767242	(000000-	) Hose, Hyd,Tc 06, Ff06Str /FfF06E90 ,244.5	1

# STANDARD PARTS

Fig. 55 - Hydraulic Hose Group, Conveyor and Main Brush

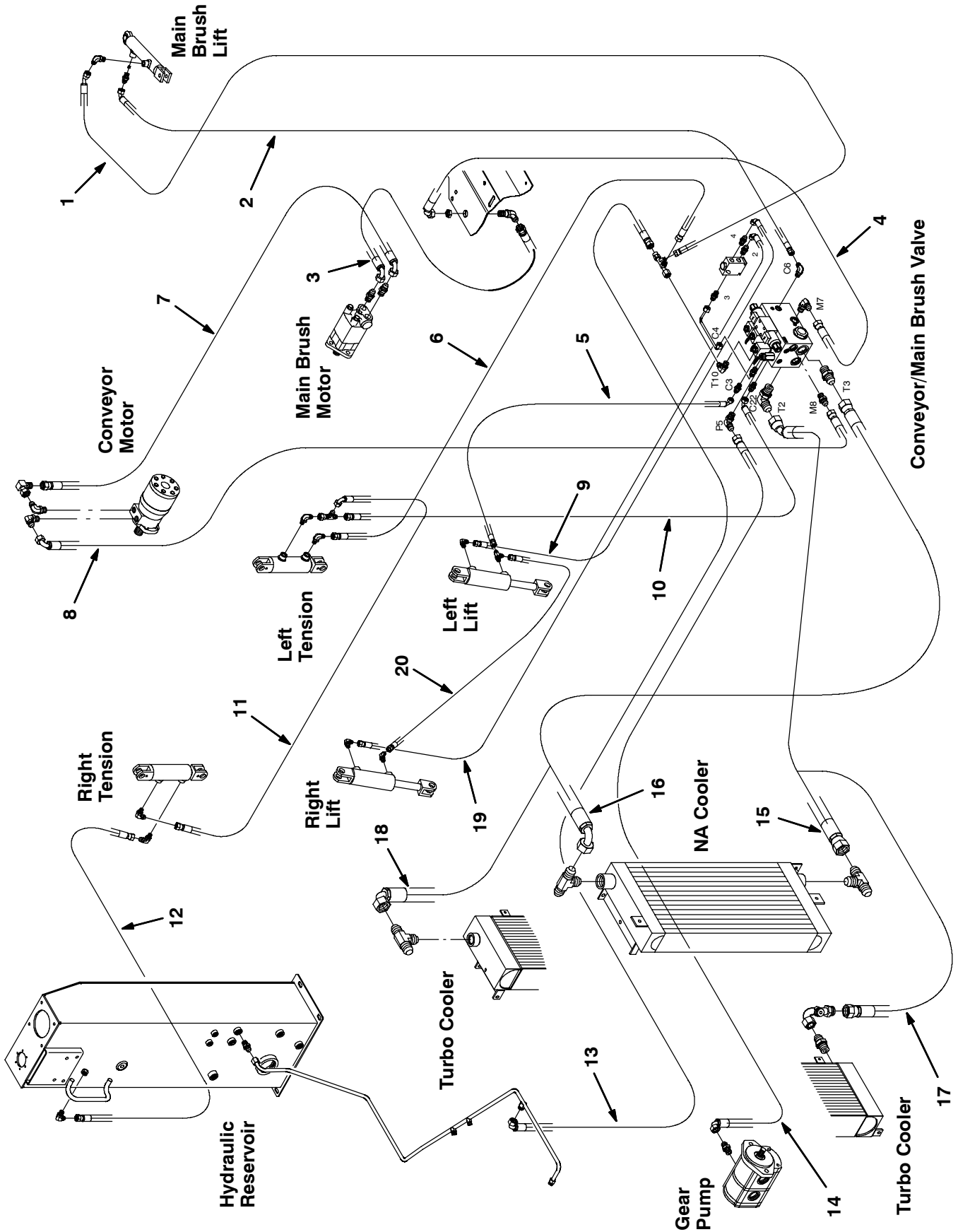




Fig. 55 - Hydraulic Hose Group, Conveyor and Main Brush

Ref.	Part No.	Serial Number	Description	Qty.
1	1010943	(000000-	) Hose, Hyd,Tc 04, Ff04str /Ff04e45, 55.0	1
2	1010942	(000000-	) Hose, Hyd,Tc 04, Ff04str /Ff04e90 , 62.0	1
3	767282	(000000-	) Hose, Hyd,Tc 10, Ff10Str /Ff10E90 , 51.0	1
4	1007884	(000000-	) Hose, Hyd,Tc 10, Ff10str /Ff10e90 , 36.0	1
5	771032	(000000-	) Hose, Hyd,Tc 04, Ff04str /Ff04e90 , 18.0	1
6	771036	(000000-	) Hose, Hyd,Med06, Ff06str /Ff06str , 68.0	1
7	1007885	(000000-	) Hose, Hyd,Tc 10, Ff10str /Ff10e90 ,114.0	1
8	767230	(000000-	) Hose, Hyd,Tc 10, Ff10Str /Ff10E90 , 71.0	1
9	1007895	(000000-	) Hose, Hyd,Tc 04 Ff04str /Ff04e90 , 42.0	1
10	9001541	(000000-	) Hose, Hyd,Tc 06, Ff06str /Ff06e90 , 62.5	1
11	771074	(000000-	) Hose, Hyd,Tc 06, Ff06str /Ff06e90 ,148.0	1
12	771076	(000000-	) Hose, Hyd,Med06, Ff06str /Ff06str , 32.0	1
13	1007898	(000000-	) Hose, Hyd,Med08, Ff08str /Ff08e90 ,148.0	1
14	1010944	(000000-	) Hode, Hyd,Tc 10, Ff10str /Ff10e90 ,114.0	1
15	771099	(000000-	) Hose, Hyd,Med16, Ff16str /Ff16e45 , 62.0	1
16	771000	(000000-	) Hose, Hyd,Med16, Ff16str /Ff16e90 ,106.0	1
17	9001540	(000000-	) Hose, Hyd,Tc 16, Ff16str /Ff16e45 , 42.0	1
18	1007890	(000000-	) Hose, Hyd,Med16, Ff16str /Ff16e90 , 84.0	1
19	771030	(000000-	) Hose, Hyd,Tc 04, Ff04str /Ff04e90 , 94.0	1
20	762371	(000000-	) Hose, Hyd, Tc04, Ff04str/Ff04str, 085.0	1

**Fig. 56 - Hydraulic Hose Group, Reservoir**

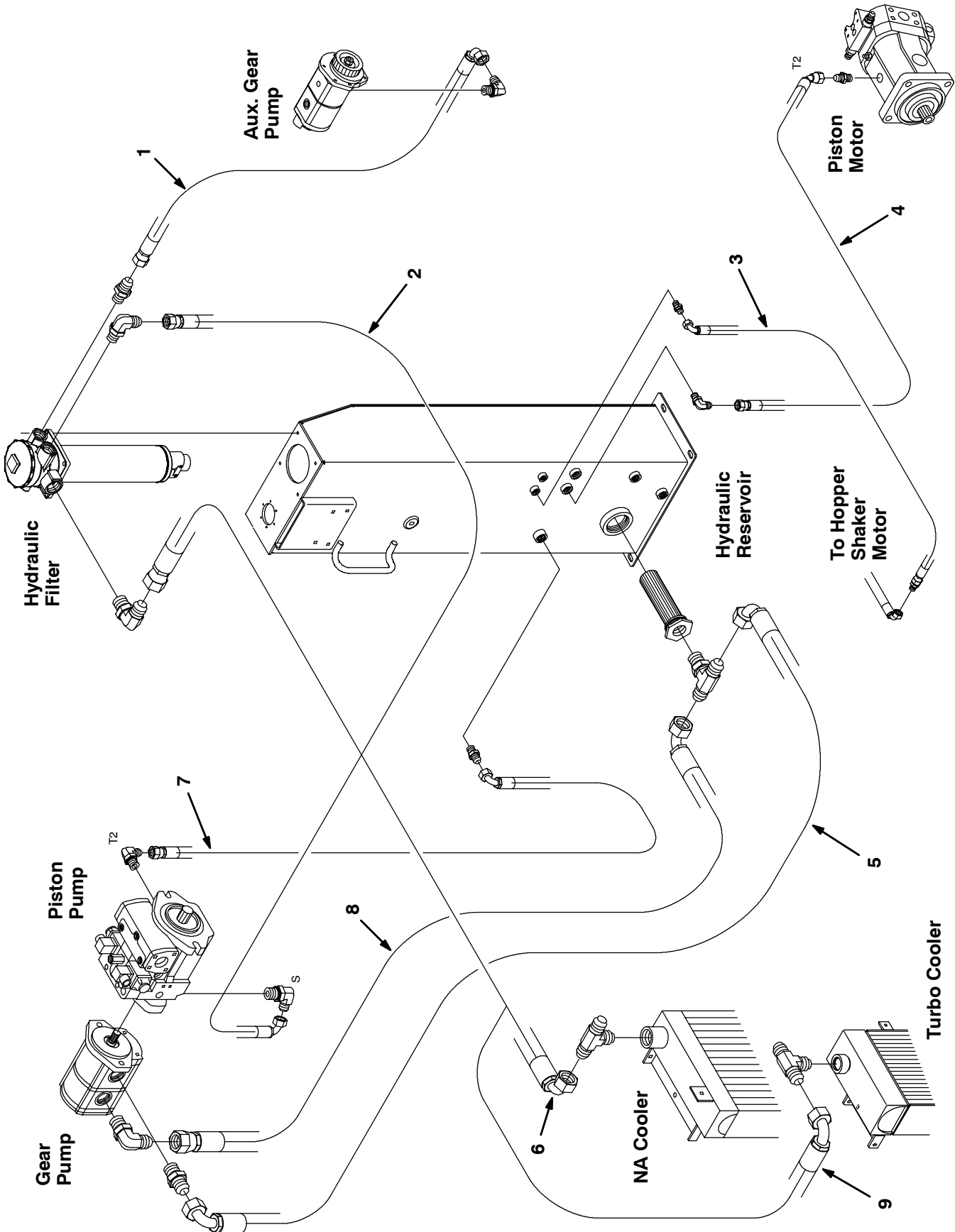


Fig. 56 - Hydraulic Hose Group, Reservoir

Ref.	Part No.	Serial Number	Description	Qty.
1	1007882	(000000-	) Hose, Hyd,Suc12, Ff12str /Ff12e90 , 56.0	1
2	1007901	(000000-	) Hose, Hyd,Med12, Ff12str /Ff12e90 , 31.0	1
3	771037	(000000-	) Hose, Hyd,Med06, Fm06strb/Ff06e90 ,184.0	1
4	767264	(000000-	) Hose, Hyd,Tc 08, Ff08str /Ff08e45 , 57.0	1
5	771094	(000000-	) Hose, Hyd,Suc20, Ff20e90 /Ff20e90 , 28.s	1
6	771017	(000000-	) Hose, Hyd,Med20, Ff20str /Ff16e90 , 60.0	1
7	767324	(000000-	) Hose, Hyd,Tc 10, Ff10str /Ff10e90 , 18.0	1
8	1007887	(000000-	) Hose, Hyd,Suc20, Ff20str /Ff20e90 , 31.0	1
9	1007896	(000000-	) Hose, Hyd,Med20, Ff20e45 /Ff16e90 , 50.0	1



Fig. 57 - Hydraulic Hose Group, Steer, Brakes, Side Brush

Ref.	Part No.	Serial Number	Description	Qty.
1	762366	(000000-	) Hose, Hyd,Tc 06, Ff06str /Ff06str , 88.5	1
2	767235	(000000-	) Hose, Hyd,Tc 06, Ff06str /Ff06e90 , 82.5	1
3	1007881	(000000-	) Hose, Hyd,Tc 06, Ff06str /Ff06e45 , 72.0	2
4	771043	(000000-	) Hose, Hyd,Tc 06, Ff06str /Ff06str , 62.0	1
5	767230	(000000-	) Hose, Hyd,Tc 10, Ff10str /Ff10e90 , 71.0	1
6	771045	(000000-	) Hose, Hyd,Med08, Ff08str /Ff08e45 , 62.0	1
7	1007895	(000000-	) Hose, Hyd,Tc 04 Ff04str /Ff04e90 , 42.0	1
8	767239	(000000-	) Hose, Hyd,Tc 06, Ff06str /Ff06e90 ,265.0	1
9	762399	(000000-	) Hose, Hyd,Tc 06, Ff06str /Ff06e90 , 21.0	1
10	771038	(000000-	) Hose, Hyd,Tc 06, Ff06str /Ff06e90 , 14.0	1
11	769314	(000000-	) Hose, Hyd	1
12	771041	(000000-	) Hose, Hyd,Med08, Ff08str /Ff08e90 , 24.0	1
13	767291	(000000-	) Hose, Hyd,Tc 04, Ff04str /Ff04str , 39.0	1
14	771092	(000000-	) Hose, Hyd,Tc 06, Ff06str /Ff06e90 , 44.0	1
15	771007	(000000-	) Hose, Hyd,Med12, Ff16str /Ff12e90 , 50.0	1
16	771095	(000000-	) Hose, Hyd,Med12, Ff12str /Ff12e90 , 70.0	1
17	767266	(000000-	) Hose, Hyd,Tc 10, Fm10strb/Ff10str ,187.0	1

Fig. 58 - Hydraulic Hose Group, Propel

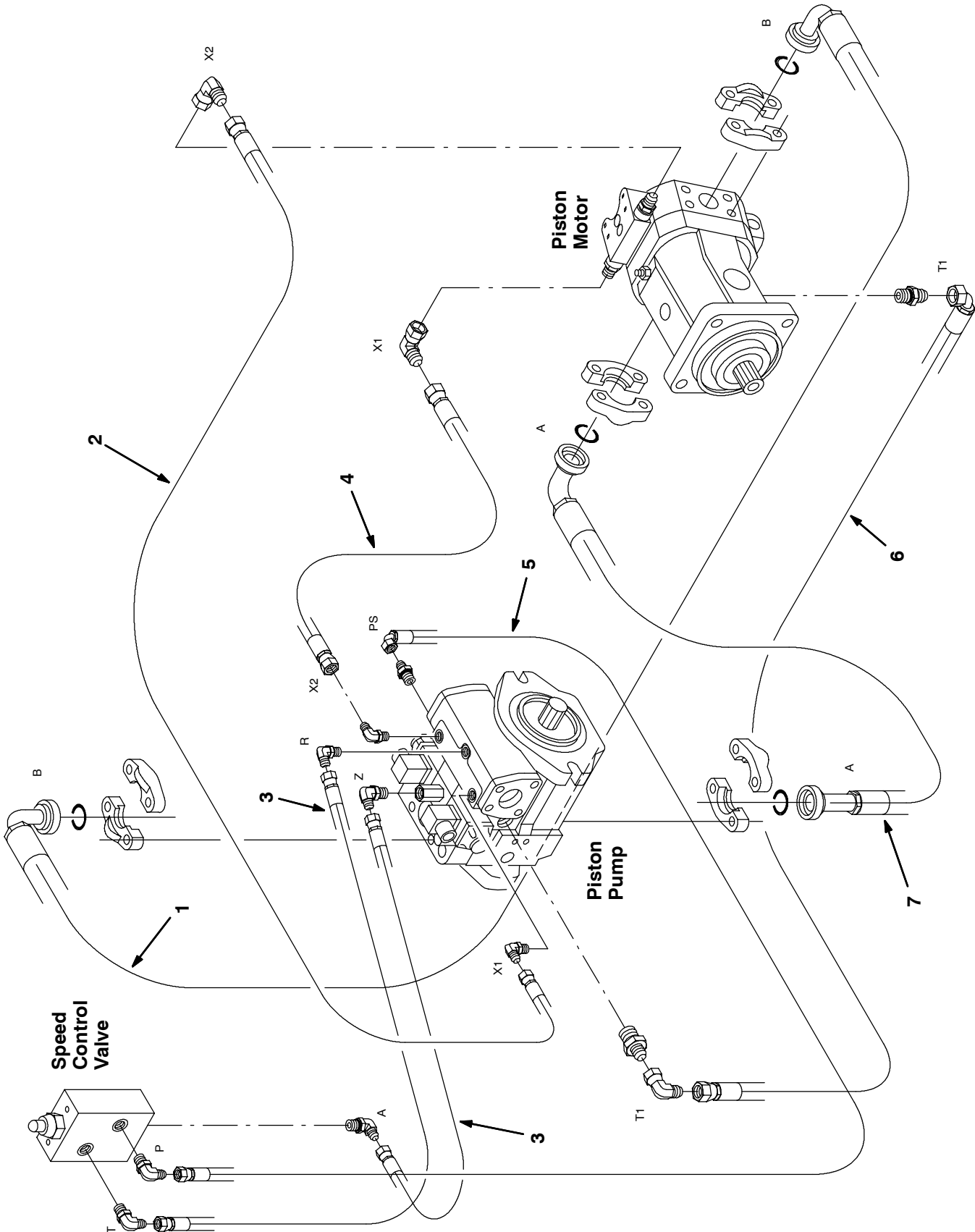


Fig. 58 - Hydraulic Hose Group, Propel

Ref.	Part No.	Serial Number	Description	Qty.
1	767262	(000000-	) Hose, Hyd,Uhi12, F 12e90 /F 16e90 , 90.0	1
2	767308	(000000-	) Hose, Hyd,Tc 04, Ff04str /Ff04str , 96.0	1
3	767311	(000000-	) Hose, Hyd,Tc 04, Ff04str /Ff04str ,125.5	2
4	767309	(000000-	) Hose, Hyd,Tc 04, Ff04str /Ff04str , 90.0	1
5	767312	(000000-	) Hose, Hyd,Tc 04, Ff04str /Ff06e90 ,118.0	1
6	767265	(000000-	) Hose, Hyd,Tc 08, Ff08str /Ff08e90 , 77.0	1
7	767261	(000000-	) Hose, Hyd,Uhi12, F 12str /F 16e90 , 80.0	1

Fig. 59 - Hydraulic Reservoir Group

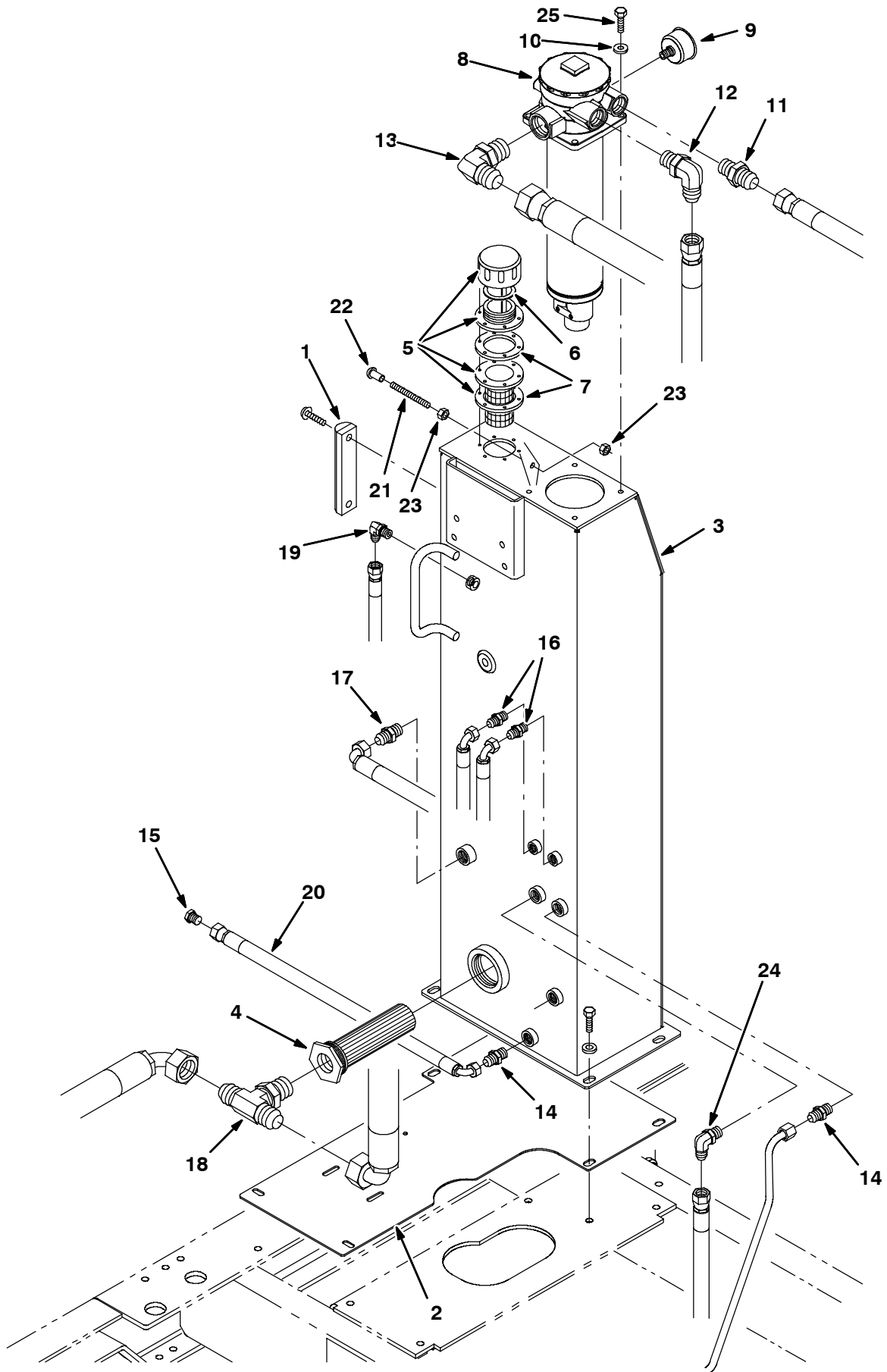




Fig. 59 - Hydraulic Reservoir Group

Ref.	Part No.	Serial Number	Description	Qty.
	1	762075	(000000- ) Gauge, Sight	1
▽	2	1008261	(000000- ) Plate, Floor, Eng	1
▲	3	1007908	(000000- ) Reservoir, 25.0 Gal	1
	4	31613	(000000- ) Strainer, Hyd, 25 Gpm 100 Mesh Psi	1
▽	5	767019	(000000- ) Breather, Hyd, 10 Mic	1
▲	6	70006	(000000- ) Gasket, Cap, Breather, Hyd	1
▲	7	61288	(000000- ) Gasket, Breather, Reservoir	1
▽	8	771018	(000000- ) Filter, Oil, Hyd 5 Mic 50 Gpm 145	1
▲		771078	(000000- ) Element, Fltr, Oil, Hyd	1
▲		9003022	(000000- ) Seal Kit, Fltr [Hydac]	1
▲	9	1037643	(000000- ) Gauge, Press	1
	10	763042	(000000- ) Washer, Belleville, M10	4
	11	79872	(000000- ) Fitting, Str	1
	12	767407	(000000- ) Fitting, E90	1
	13	762484	(000000- ) Fitting, E90	1
	14	762445	(000000- ) Fitting, Str	2
	15	762448	(000000- ) Plug	1
	16	762433	(000000- ) Fitting, Str	2
	17	762105	(000000- ) Valve, Check, Gpm 0030psi 10om/10ors	1
	18	771089	(000000- ) Fitting, Tee	1
	19	762432	(000000- ) Fitting, E90	1
	20	767315	(000000- ) Hyd Hose	1
	21	760757	(000000- ) Rod, Thrd, Full, M12x1.75 03.5l	1
	22	763061	(000000- ) Bumper, Engine Door	1
	23	39313	(000000- ) Nut, Hex, Std, M12 X 1.75	2
	24	762446	(000000- ) Fitting, Hyd, E90, Fm08/Om08	1
	25	03192	(000000- ) Screw, Hex, M10 X 1.5 X 30, 8.8	4

Fig. 60 - Hydraulic Pumps Group

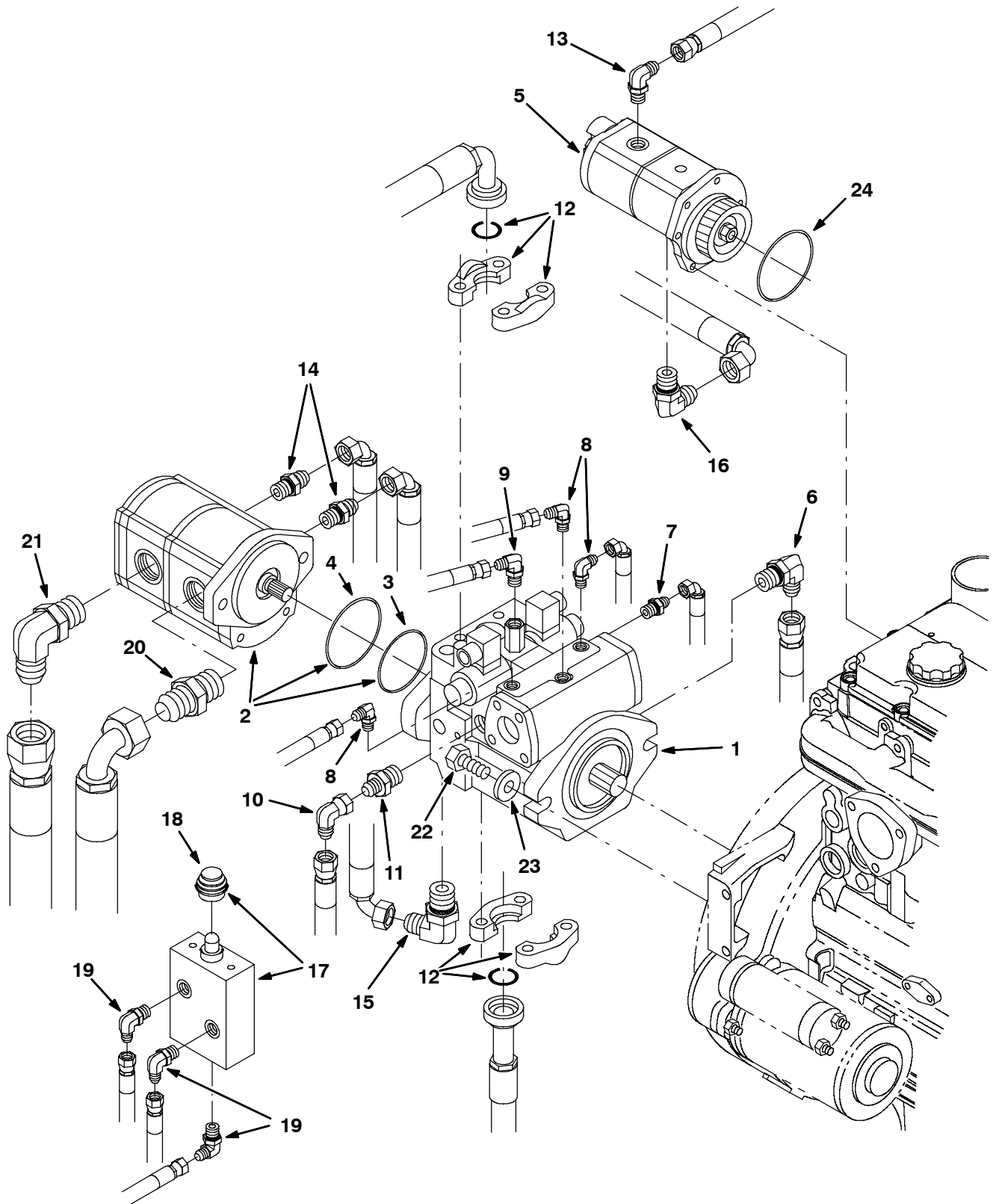


Fig. 60 - Hydraulic Pumps Group

Ref.	Part No.	Serial Number	Description	Qty.
	1	767200	(000000- ) Pump, Piston (See Breakdowns)	1
▽		9001442	(000000- ) Replmt Kit, Pump, Hyd, Gear [Sentinel]	1
▲	2	1010859	(000000- ) Pump, Hyd, Gear [Ex2] 1.77 [R] 3500	1
▲	3	769004	(000000- ) O-Ring	1
▲	4	769005	(000000- ) O-Ring	1
▽	5	771016	(000000- ) Pump, Hyd, Gear [Ex1] 0.61 [R] 3200	1
▲		1031676	(000000- ) Seal Kit, Motor, Hyd	1
	6	762469	(000000- ) Ftg-Hyd, Str	1
	7	762433	(000000- ) Ftg-Hyd, Str	1
	8	762427	(000000- ) Ftg-Hyd, E90	3
	9	762425	(000000- ) Ftg_Hyd, E90	1
	10	762288	(000000- ) Ftg-Hyd, E90	1
	11	762457	(000000- ) Ftg-Hyd, Str	1
	12	762487	(000000- ) Ftg-Hyd Sae Flange	2
	13	762432	(000000- ) Fitting, Hyd, E90, Om06/ Fm06	1
	14	762463	(000000- ) Ftg-Hyd, Str	2
	15	767407	(000000- ) Fitting, Hyd, E90, Fm12/Om16	1
	16	762492	(000000- ) Fitting, Hyd, E90, Om12/Fm12	1
▽	17	1038895	(000000- ) Valve, Hyd, Spd Cntrl, Of06/Of06	1
▲		371748	(000000-007325 ) Kit, Seal	1
▲		1039198	(007326- ) Seal Kit, Valve, Spd Cntrl, Hyd	1
▲	18	1039201	(007326- ) Boot, Rbr	1
	19	762425	(000000- ) Ftg-Hyd, E90	3
	20	1007953	(000000- ) Fitting, Hyd, Str, Fm20/Om16	1
	21	1007978	(000000- ) Fitting, Hyd E90	1
	22	48416	(000000- ) Screw, Hex, .62-11 X 1.75, 5	2
	23	763117	(000000- ) Washer, Flat, M16 X 30, Hard [Din125]	2
	24	767014	(000000- ) O-Ring	2

**Fig. 61 - Hydraulic Main Brush/Conveyor Lift Valve Group**

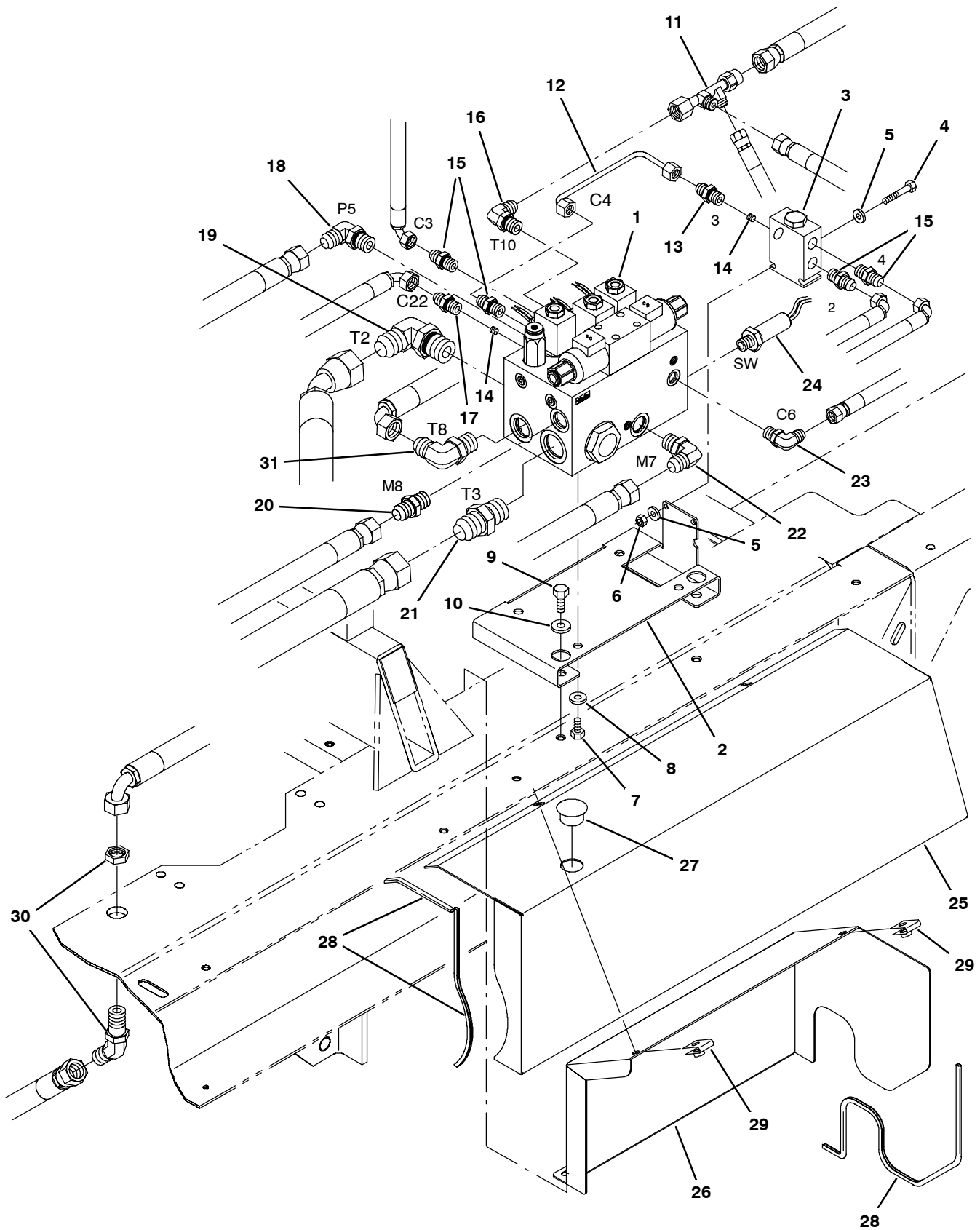


Fig. 61 - Hydraulic Main Brush/Conveyor Lift Valve Group

Ref.	Part No.	Serial Number	Description	Qty.
1	771019	(000000-	) Valve, Hyd, Sol, 12Vdc [05S13G3000] (See Breakdowns)	1
2	1008200	(000000-	) Bracket, Mtg, Valve, Hyd	1
3	771013	(000000-	) Valve, Hyd, Flow Divider	1
4	06948	(000000-	) Screw, Hex, M6 X 1.0 X 45, 8.8	2
5	32483	(000000-	) Washer, Flat, 0.25 Sae	4
6	08708	(000000-	) Nut, Hex, Lock, M 6 X 1.0, NI	2
7	16931	(000000-	) Screw, Hex, M8 X 1.25 X 20, 8.8	4
8	763041	(000000-	) Washer, Belleville, M08	4
9	06961	(000000-	) Screw, Hex, M10 X 1.5 X 20, 8.8	4
10	763042	(000000-	) Washer, Belleville, M10	4
11	771023	(000000-	) Tube, Hyd, Manifold, Main	1
12	771024	(000000-	) Tube, Hyd, Flow Divider	1
13	762426	(000000-	) Fitting, Hyd, Str, Fm04/Om06	1
14	771077	(000000-	) Fitting, Hyd, Orifice, 0.040	2
15	762426	(000000-	) Fitting, Hyd, Str, Fm04/Om06	4
16	767411	(000000-	) Fitting, Hyd, E90, Fm08/Om10	1
17	771090	(000000-	) Fitting, Hyd, Str, Fm06/Om06l	1
18	762464	(000000-	) Fitting, Hyd, E90, Om10/Fm10	1
19	762482	(000000-	) Fitting, Hyd, E90, Om16/Fm16	1
20	762463	(000000-	) Fitting, Hyd,, Str, Fm10/Om10	1
21	762481	(000000-	) Fitting, Hyd, Str, Om16/Fm16	1
22	762464	(000000-	) Fitting, Hyd, E90, Om10/Fm10	1
23	762425	(000000-	) Fitting, Hyd, E90, Fm04/Om06	1
24	769077	(000000-	) Switch Assy, Press, 12vdc No 2400psi	1
25	1009229	(000000-	) Cover, Valve, Outer	1
26	1008710	(000000-	) Cover, Valve, Inner	1
27	768471	(000000-	) Button, Plug	1
28	59118-2	(000000-	) Molding, Trim, Pvc, .00-.06 19.9l	2
29	12271	(000000-	) Nut, U, M06 X 1.0	2
30	767425	(000000-	) Fitting, Hyd, E45, Fm10/Fm10 Bh	1
31	762469	(000000-	) Fitting, Hyd, E90, Fm10/Om12	1

Fig. 62 - Hydraulic Hopper Control Valve Group

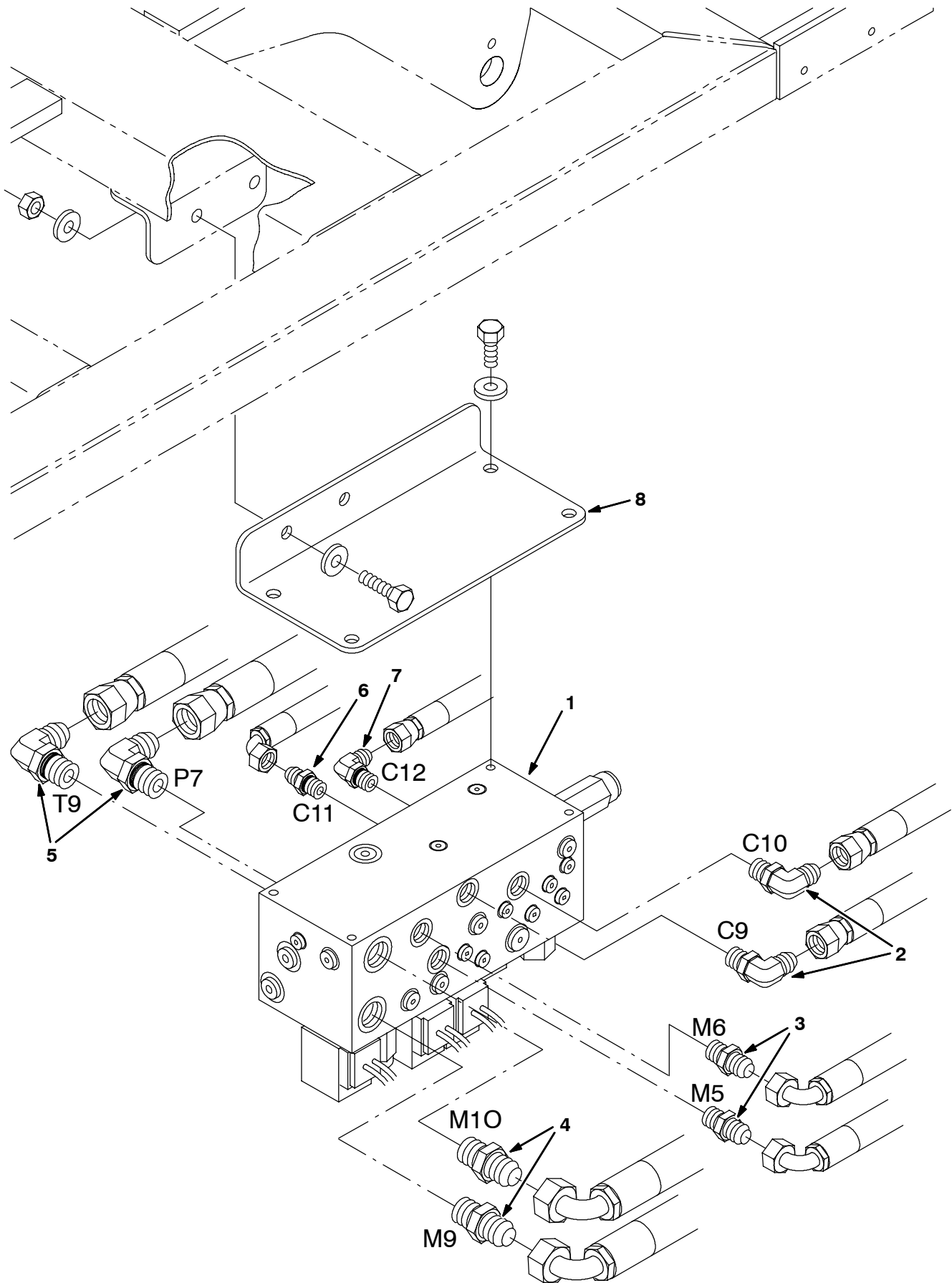


Fig. 62 - Hydraulic Hopper Control Valve Group

Ref.	Part No.	Serial Number	Description	Qty.
1	768899	(000000-	) Valve, Hyd Control Sol-Hopper (See Breakdowns)	1
2	762432	(000000-	) Fitting, Hyd	2
3	762433	(000000-	) Fitting, Hyd	2
4	762463	(000000-	) Fitting, Hyd	2
5	762464	(000000-	) Fitting, Hyd	2
6	762428	(000000-	) Fitting-Hyd, Str	1
7	762427	(000000-	) Fitting, Hyd, Elbow	1
8	767026	(000000-	) Angle, Hyd Valve Mount	1

Fig. 63 - Hydraulic Side Brush Valve Group

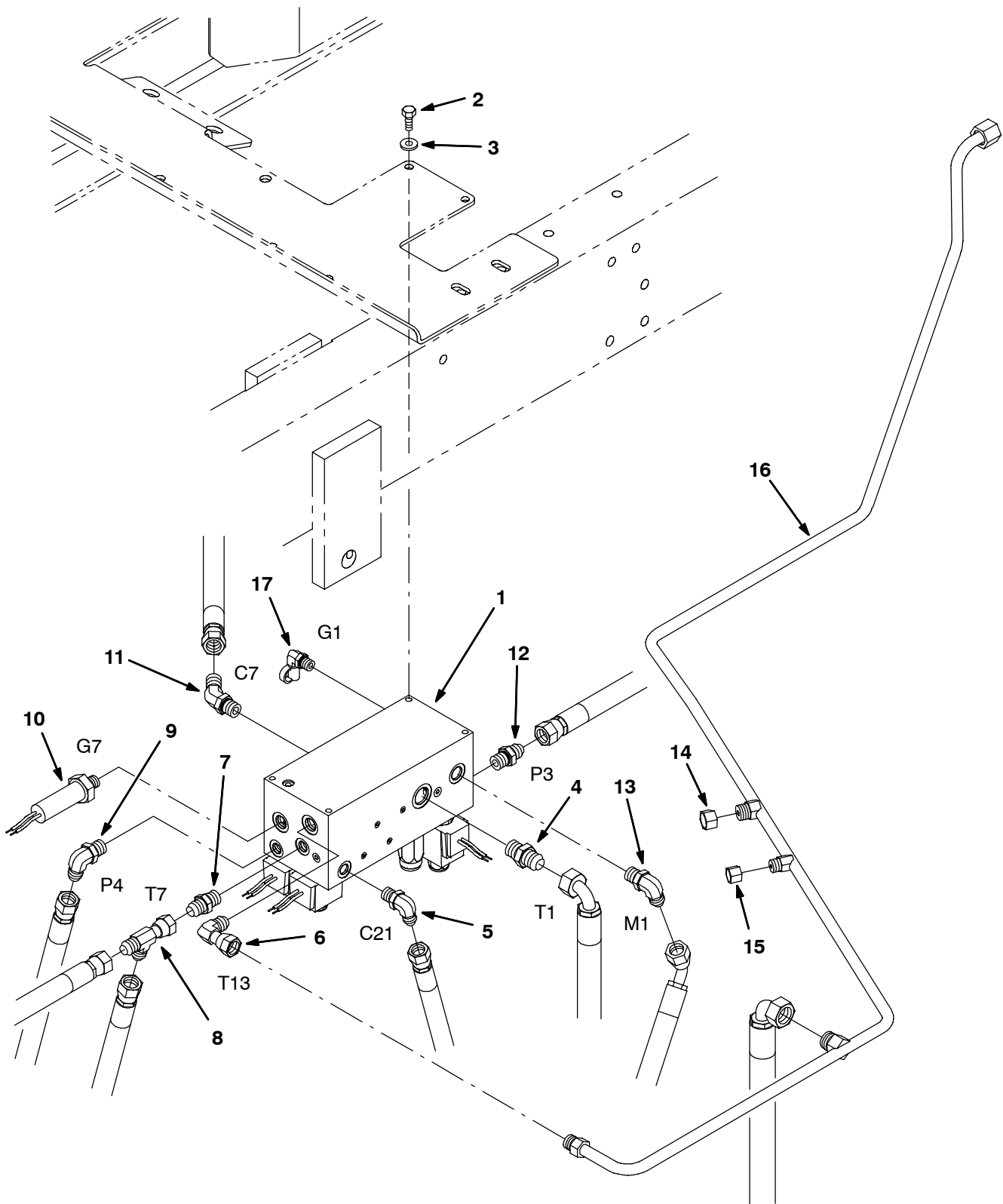




Fig. 63 - Hydraulic Side Brush Valve Group

Ref.	Part No.	Serial Number	Description	Qty.
1	771010	(000000-	) Valve, Hyd, Sol, 12Vdc [07S24G3000] (See Breakdowns)	1
2	16931	(000000-	) Screw, Hex, M8 X 1.25 X 20, 8.8	4
3	32490	(000000-	) Washer, Flat, 0.25 Std	4
4	762445	(000000-	) Fitting, Hyd, Str, Om08/Fm08	1
5	762427	(000000-	) Fitting, Hyd, E90, Om04/Fm04	1
6	762441	(000000-	) Fitting, Hyd, E90, Ff06/Om06	1
7	771040	(000000-	) Fitting, Hyd, Str, Fm06/Om04	1
8	762435	(000000-	) Fitting, Hyd, Tee, Om06/Om06/Ff06	1
9	771053	(000000-	) Fitting, Hyd, E90, Fm06/Om04	1
10	768602	(000000-	) Switch, Press, 12vdc 06a Spst Nc 0750psi	1
11	762442	(000000-	) Fitting, Hyd, E45, Om06/Fm06	1
12	762433	(000000-	) Fitting, Hyd, Str, Om06/Fm06	1
13	762432	(000000-	) Fitting, Hyd, E90, Om06/ Fm06	1
14	762440	(000000-	) Ftg, Hyd Cap	1
15	762160	(000000-	) Ftg, Hyd Cap	1
16	771006	(000000-	) Tube, Hyd, Return [Sentinel]	1
17	395974	(000000-	) Fitting, Hyd, E90, Om04/Qm04	1

**Fig. 64 - Hydraulic Manifold and Priority Valve Group**

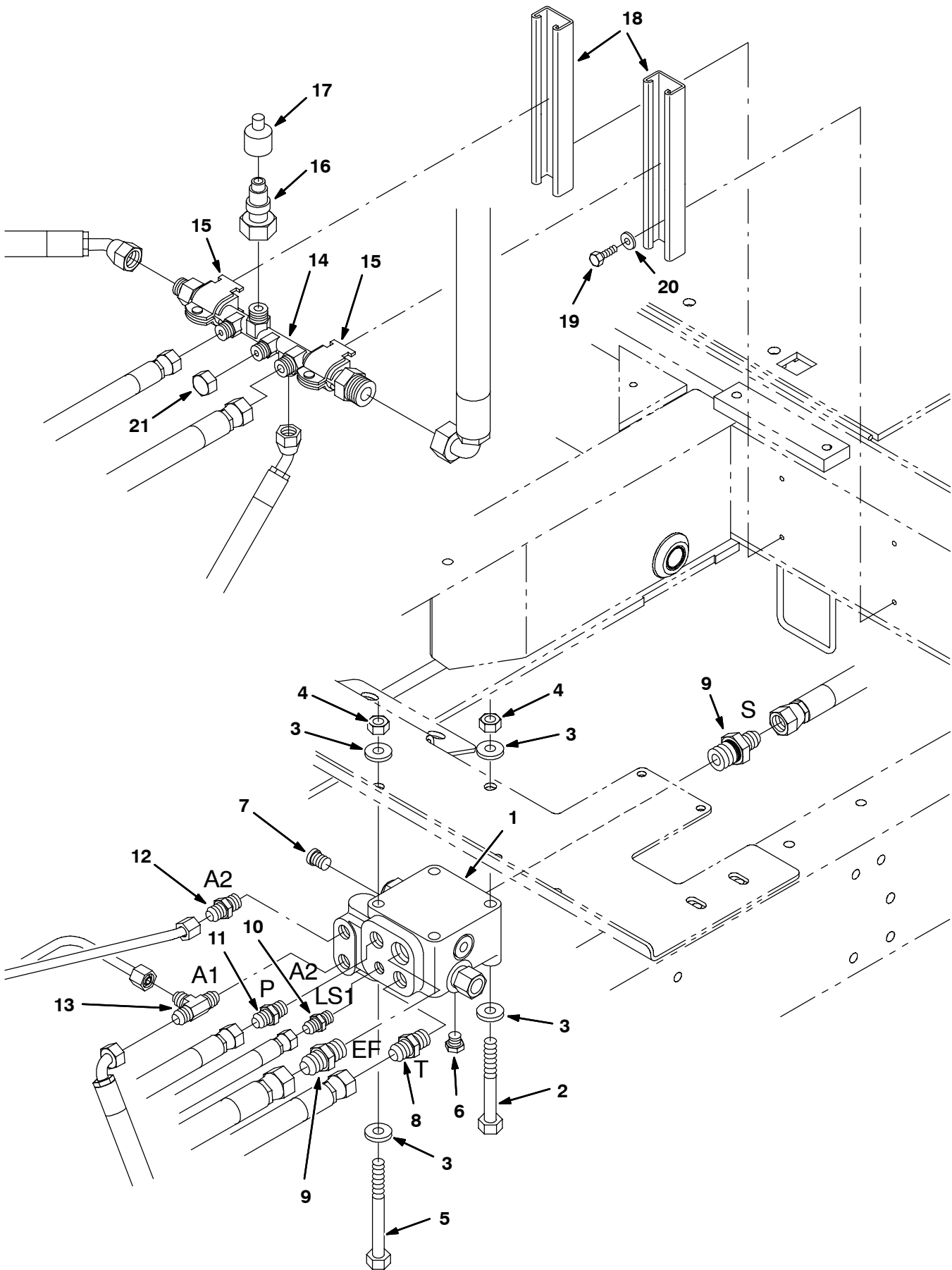


Fig. 64 - Hydraulic Manifold and Priority Valve Group

Ref.	Part No.	Serial Number	Description	Qty.
1	767221	(000000-	) Valve, Hyd, Strg, Accumulator, Dual	1
2	06976	(000000-	) Screw, Hex, M12 X 1.75 X 100, 8.8	3
3	32486	(000000-	) Washer, Flat, 0.50 Sae	8
4	08711	(000000-	) Nut, Hex, Lock, M12 X 1.75, NI	4
5	12138	(000000-	) Screw, Hex, M12 X 1.75 X 120, 8.8	1
6	33812	(000000-	) Fitting, Hyd, Plug, Om04	1
7	46482	(000000-	) Fitting, Hyd, Plug, Om06	1
8	762445	(000000-	) Fitting, Hyd, Str, Om08/Fm08	1
9	762468	(000000-	) Fitting, Hyd, Str Fm10/Om12	2
10	762428	(000000-	) Fitting, Hyd, Str, Om04/Fm04	1
11	762438	(000000-	) Fitting, Hyd, Str, Om06/Fm08	1
12	762433	(000000-	) Fitting, Hyd, Str, Om06/Fm06	1
13	762434	(000000-	) Fitting, Hyd, Tee, Fm06 /Fm06 /Om06	1
14	771042	(000000-	) Tube, Hyd, Return, Cooler	1
15	396287	(000000-	) Clamp, Hyd, 0.75d	2
16	65084	(000000-	) Fitting, Hyd, Qdc Assy, Of06/Of06	1
17	33862	(000000-	) Cap, Dust Coupling, Hyd	1
18	396288	(000000-	) Channel, Clamp, Hyd	2
19	12459	(000000-	) Screw, Hex, M 6 X 1.0 X 20, Fmg	4
20	32490	(000000-	) Washer, Flat, 0.25 Std	4
21	762440	(000000-	) Ftg, Hyd Cap	1

Fig. 65 - Water Tank Group

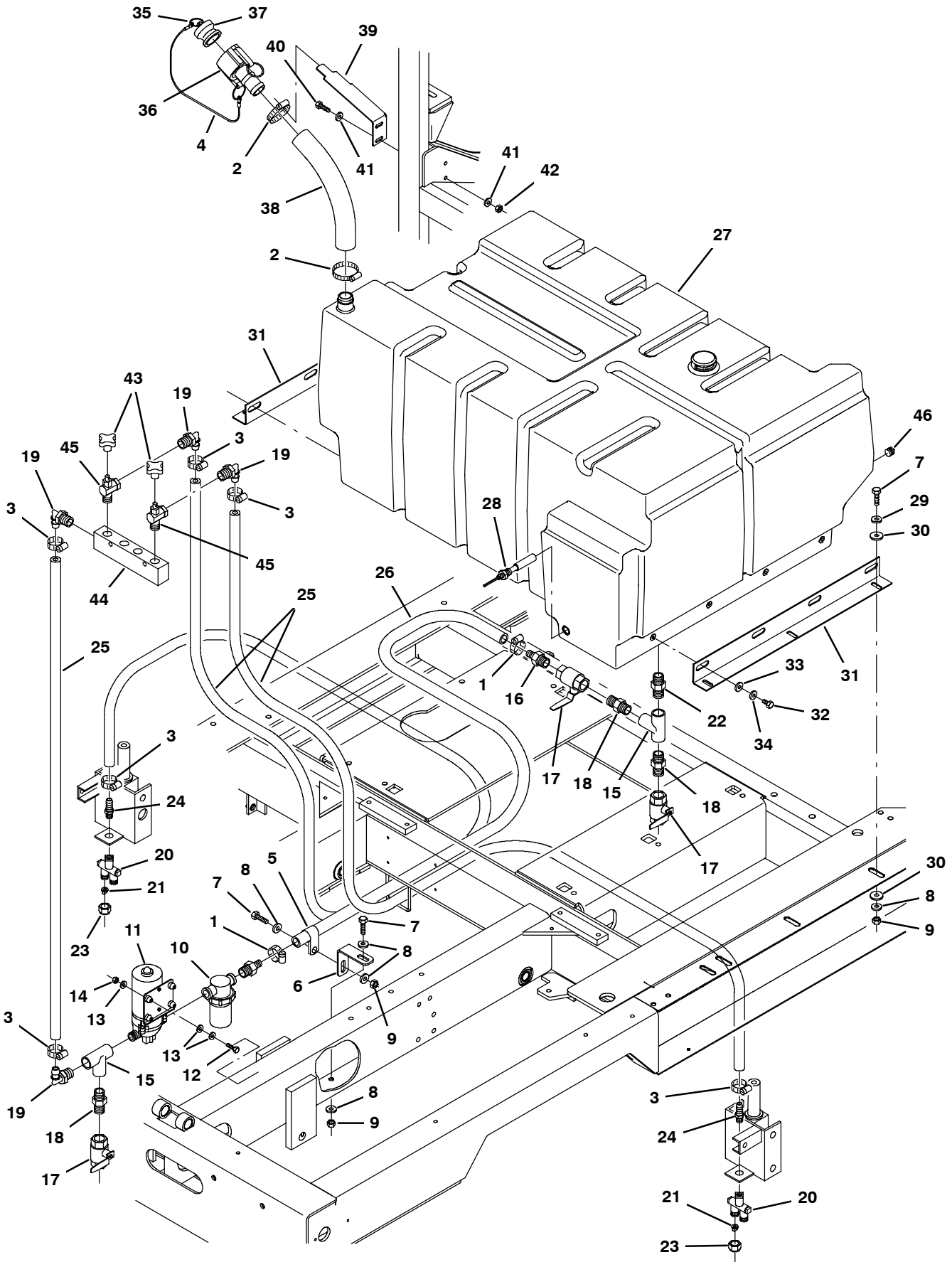


Fig. 65 - Water Tank Group

Ref.	Part No.	Serial Number	Description	Qty.
1	11399	(000000-	) Clamp, Hose, Wormdrive	2
2	22297	(000000-	) Clamp, Hose, Wormdrive	2
3	54333	(000000-	) Clamp, Hose, Wormdrive	6
4	57702	(000000-	) Cable, .06D, 12.0L, .26 Eye/.26 Eye	1
5	58366	(000000-	) Clamp, Cable, Stl, 1.25D X 1.00W, 1H	1
6	1008149	(000000-	) Bracket, Mount, Hose	1
7	03192	(000000-	) Screw, Hex, M10 X 1.5 X 30, 8.8	7
8	32492	(000000-	) Washer, Flat, 0.38 STD	7
9	41430	(000000-	) Nut, Hex, Lock, M10 X 1.5, NL	5
10	762209	(000000-	) Filter, Water, 50 Mesh	1
11	761828	(000000-	) Pump, Water, Ele, 12vdc	1
12	06948	(000000-	) Screw, Hex, M6 X 1.0 X 45, 8.8	4
13	32483	(000000-	) Washer, Flat, 0.25 Sae	12
14	08708	(000000-	) Nut, Hex, Lock, M6 X 1.0, NL	4
15	762212	(000000-	) Fitting, Plstc, Tee, PM08/PM08/PM08	2
16	762214	(000000-	) Nipple, .50M X .75B	2
17	762228	(000000-	) Valve, Ball, 08PF Brs W/ Handle	3
18	86508	(000000-	) Fitting, Plstc, Str, Pm08/Pm08	3
19	63244-1	(000000-	) Fitting, Plstc, E90, BM08/PM08, PP	4
20	762220	(000000-	) Fitting, Spray Water	2
21	762221	(000000-	) Nozzle, Spray Water	4
22	762225	(000000-	) Fitting, Hyd, Str, PM08/PM12	1
23	762234	(000000-	) Cap, Nozzle, Spray, Nylon	4
24	762249	(000000-	) Fitting, Brs, Str, BM08/PM04	2
25	376716	(000000-	) Hose, Pvc, Brd, 0.50id 0.73od	3
26	762255	(000000-	) Hose, Poly Wire, .75ID	1
27	1006142	(000000-	) Tank Assy, Water	1
28	57145	(000000-	) Sensor, Level, Liquid, 14 Vdc 01A .88-14	1
29	763042	(000000-	) Washer, Belleville, M10	5
30	763072	(000000-	) Washer, Flat, M10, Fender	5
31	1006224	(000000-	) Bracket, Angle, Mtg, Tank	2
32	16931	(000000-	) Screw, Hex, M8 X 1.25 X 20, 8.8	8
33	39890	(000000-	) Washer, Flat, M08 Fender	8
34	763041	(000000-	) Washer, Belleville, M08	8
35	768304	(000000-	) Ring, Split	1
36	768320	(000000-	) Coupling, Water	1
37	768323	(000000-	) Plug, Dust, Coupling, Water	1
38	768324	(000000-	) Hose, Water	1
39	1046434	(000000-	) Bracket, Nozzle, Tank, Water	1
40	39277	(000000-	) Screw, Hex, M8 X 1.25 X 25, 8.8	2
41	32491	(000000-	) Washer, Flat, 0.31 Std	4
42	07791	(000000-	) Nut, Hex, Flng, M08 X 1.25	2
43	762236	(000000-	) Knob, Star, 1.96D 4Ear 1.30L 0.33B	2
44	767205	(000000-	) Manifold, Water	1
45	762217	(000000-	) Valve, Water Spray	2
46	17521	(000000-	) Plug	1

Fig. 66 - Dry Dust Control Group

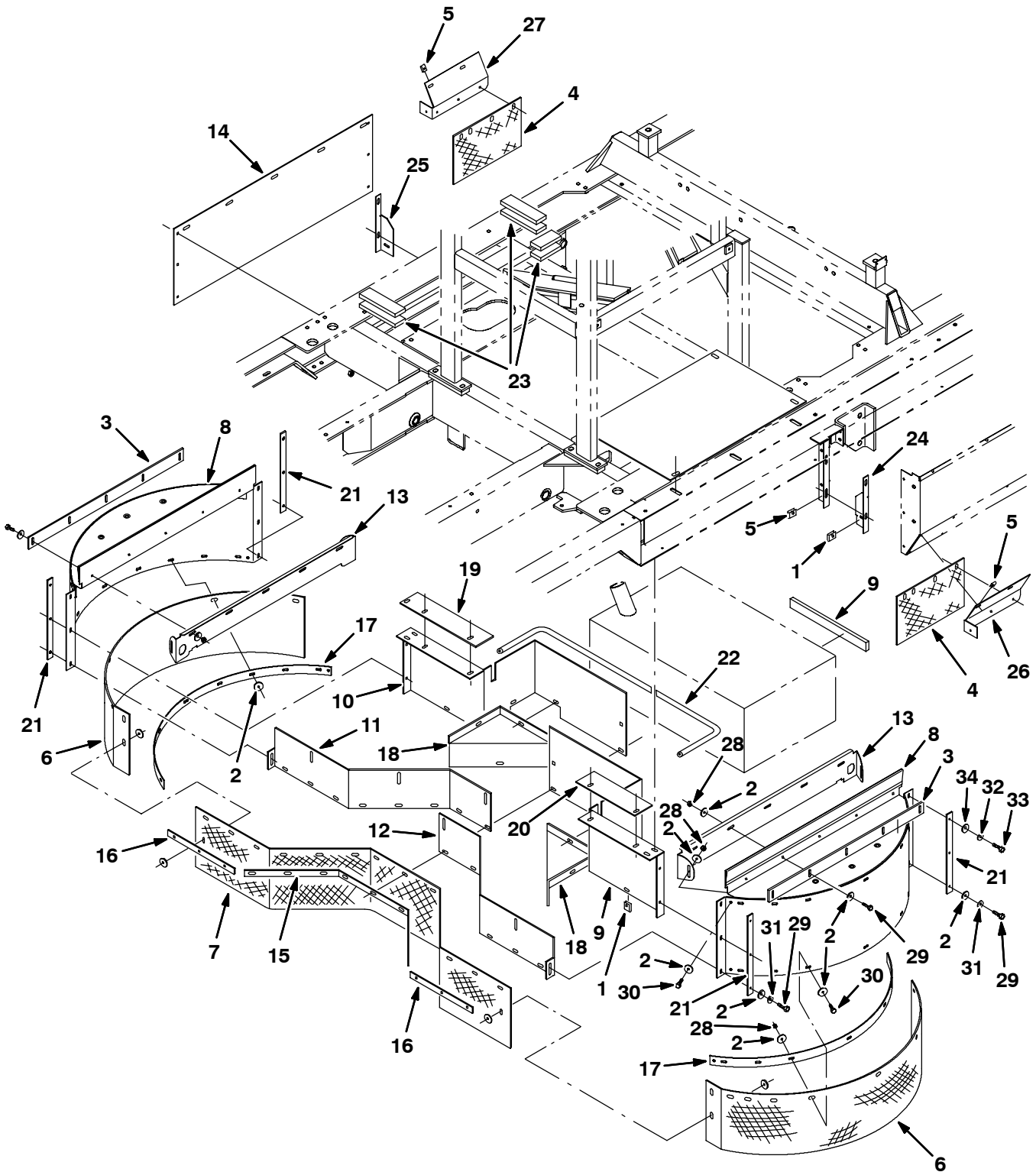
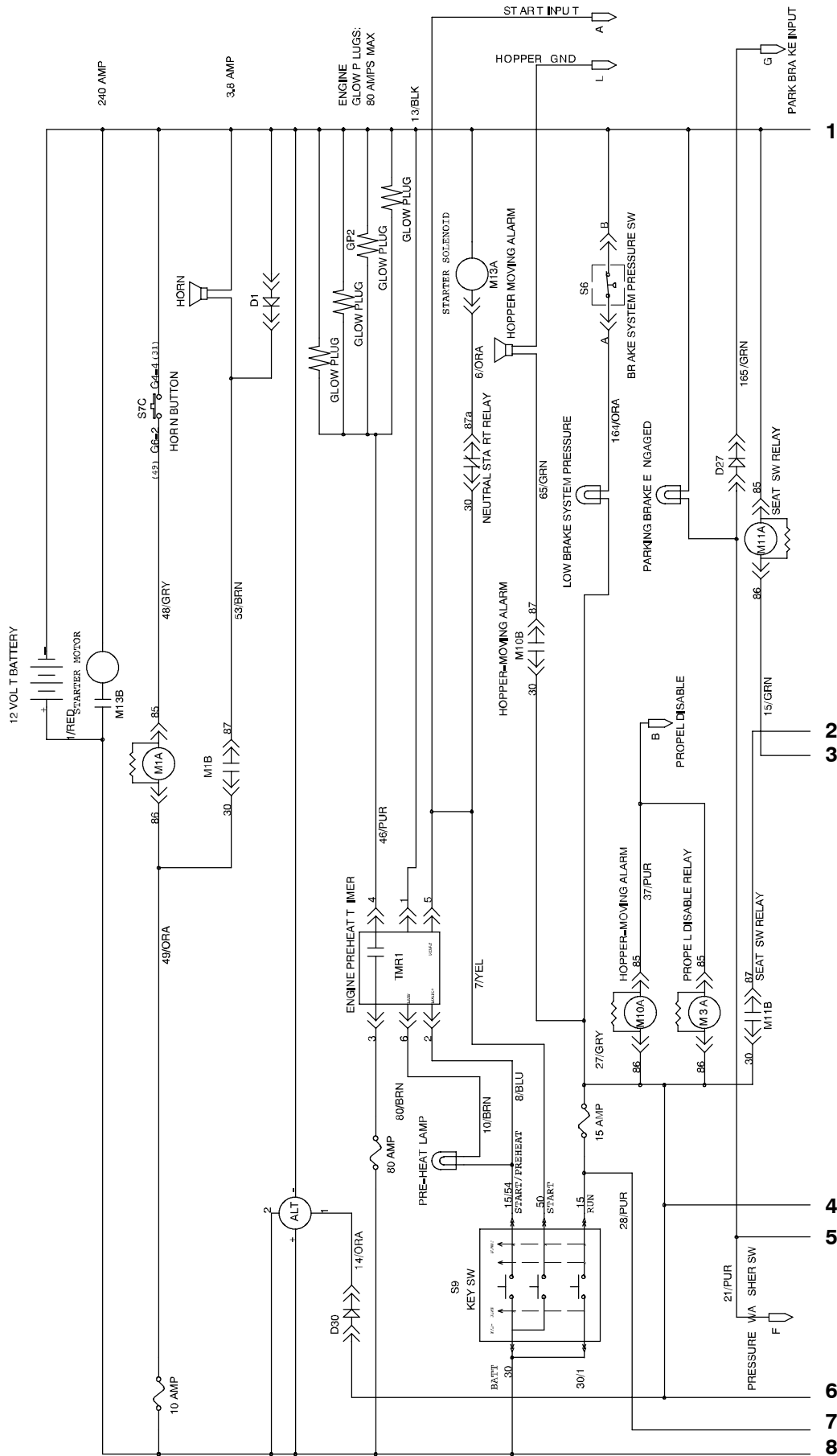


Fig. 66 - Dry Dust Control Group

Ref.	Part No.	Serial Number	Description	Qty.
1	12271	(000000-	) Nut, U, M06-1.0	32
2	41178	(000000-	) Washer, Flat, .25 Fender	84
3	768091	(000000-	) Bar, Seal, Upper	2
4	768089	(003100-	) Skirt, Dust Containment	2
5	58595	(003100-	) Nut, U, M08-1.25	8
6	764261	(000000-	) Skirt Kit, Side Brush	2
7	764260	(000000-	) Skirt Kit, Front Dust Control	1
8	768100	(000000-	) Shroud Assembly (Left Sidebrush Shroud Assy Optional)	2
9	764254	(000000-	) Panel	1
10	764253	(000000-	) Panel	1
11	764234	(000000-	) Panel	1
12	764235	(000000-	) Panel	1
13	769087	(000000-	) Arm, Seal, Upper	2
14	768096	(000000-	) Shroud, Side Modified (When no Sidebrush is used)	1
15	764238	(000000-	) Retainer	1
16	764263	(000000-	) Retainer, Front Ends SBDC	2
17	764240	(000000-	) Retainer	2
18	764241	(000000-	) Panel	2
19	764244	(000000-	) Bar, Support, Rh	1
20	764245	(000000-	) Bar, Support, Lh	1
21	764256	(000000-	) Retainer	4
22	760552	(000000-	) Seal, Str W/.75 Bubble 52"Lg	1
23	760532	(000000-	) Seal Kit, 15ft.	1
24	768103	(003100-	) Bracket, Skirt, Lh	1
25	768104	(003100-	) Bracket, Skirt, Rh	1
26	768038	(000000-	) Bracket, Dust Containment, Lh	1
27	768039	(000000-	) Bracket, Dust Containment, Rh	1
28	08708	(000000-	) Nut, Hex, Lock, M6 X 1.00, NI	26
29	06944	(000000-	) Screw, Hex, M6 X 1.0 X 25, 8.8	10
30	06943	(000000-	) Screw, Hex, M6 X 1.0 X 20, 8.8	14
31	763040	(000000-	) Washer, Belleville, M06	12
32	763041	(000000-	) Washer, Belleville, M08	8
33	76570	(000000-	) Screw, Hex, M8 X 1.25 X 30, 8.8	8
34	39890	(000000-	) Washer, Flat, M8 Fender	8

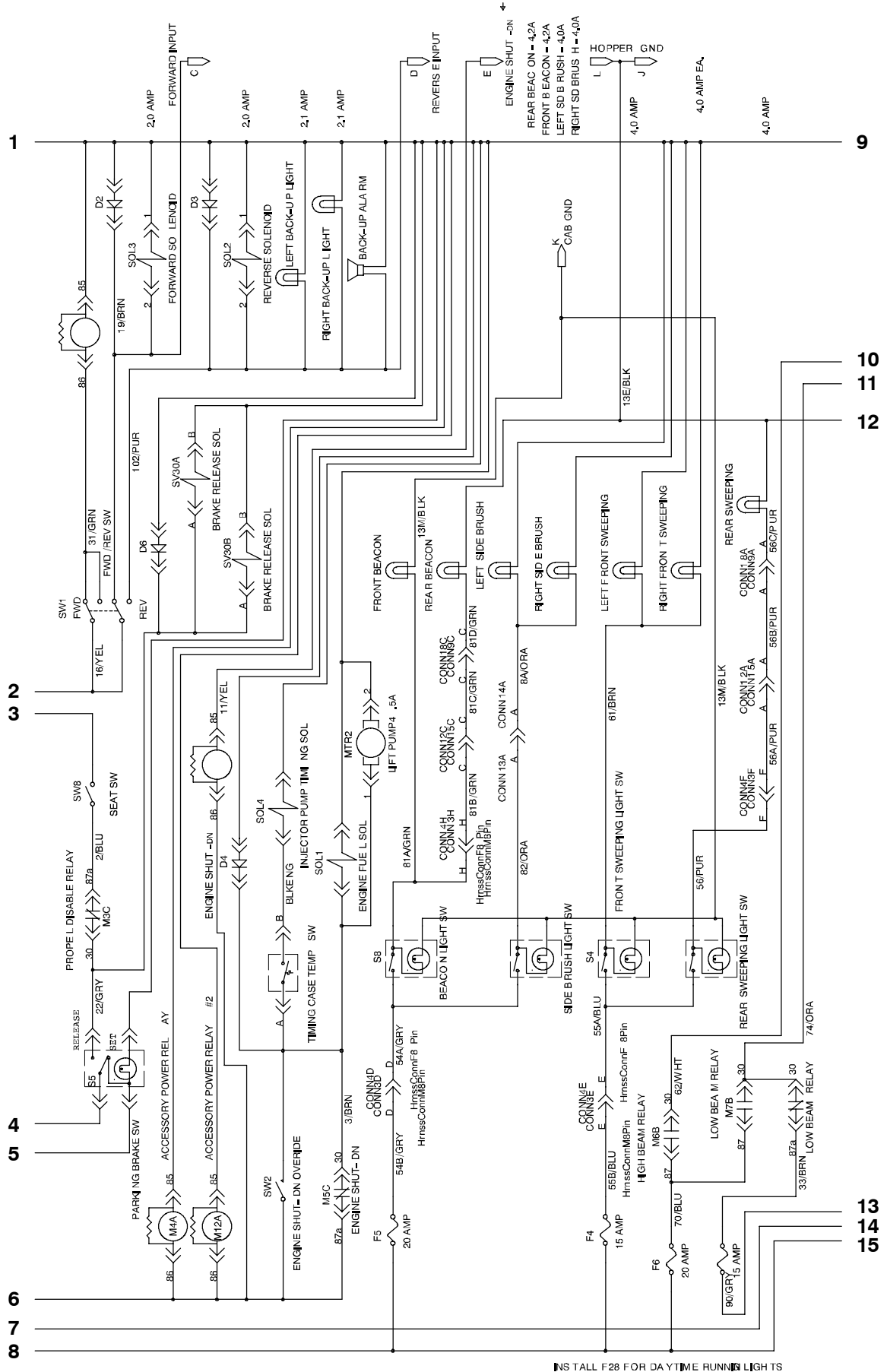
Fig. 67 - Electrical Schematic (000000-008499)



767649



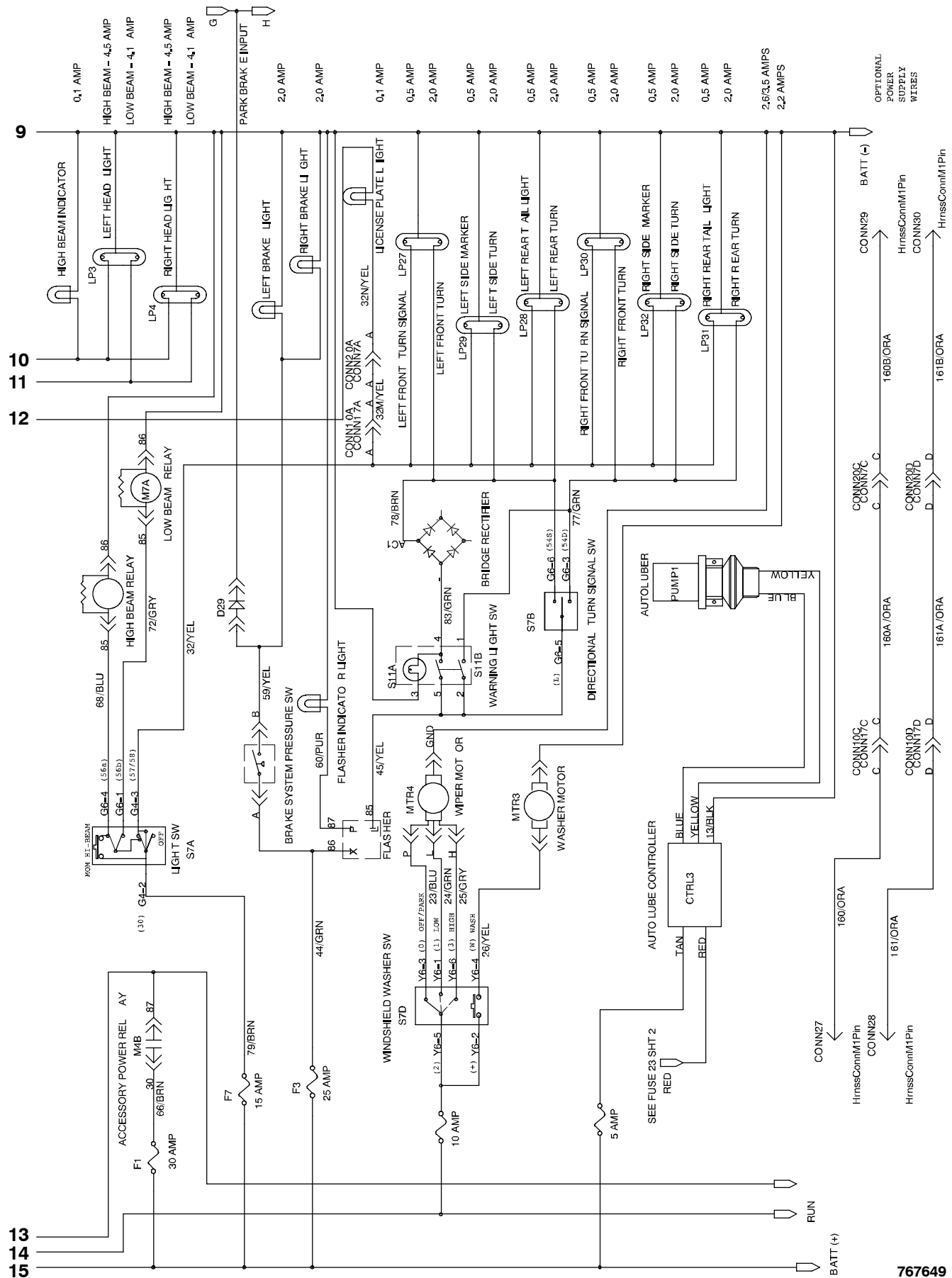
Fig. 67 - Electrical Schematic (000000-008499)



INS TALL F28 FOR DAYTIME RUNNING LIGHTS

767649

Fig. 67 - Electrical Schematic (000000-008499)



767649

Fig. 67 - Electrical Schematic (000000-008499)

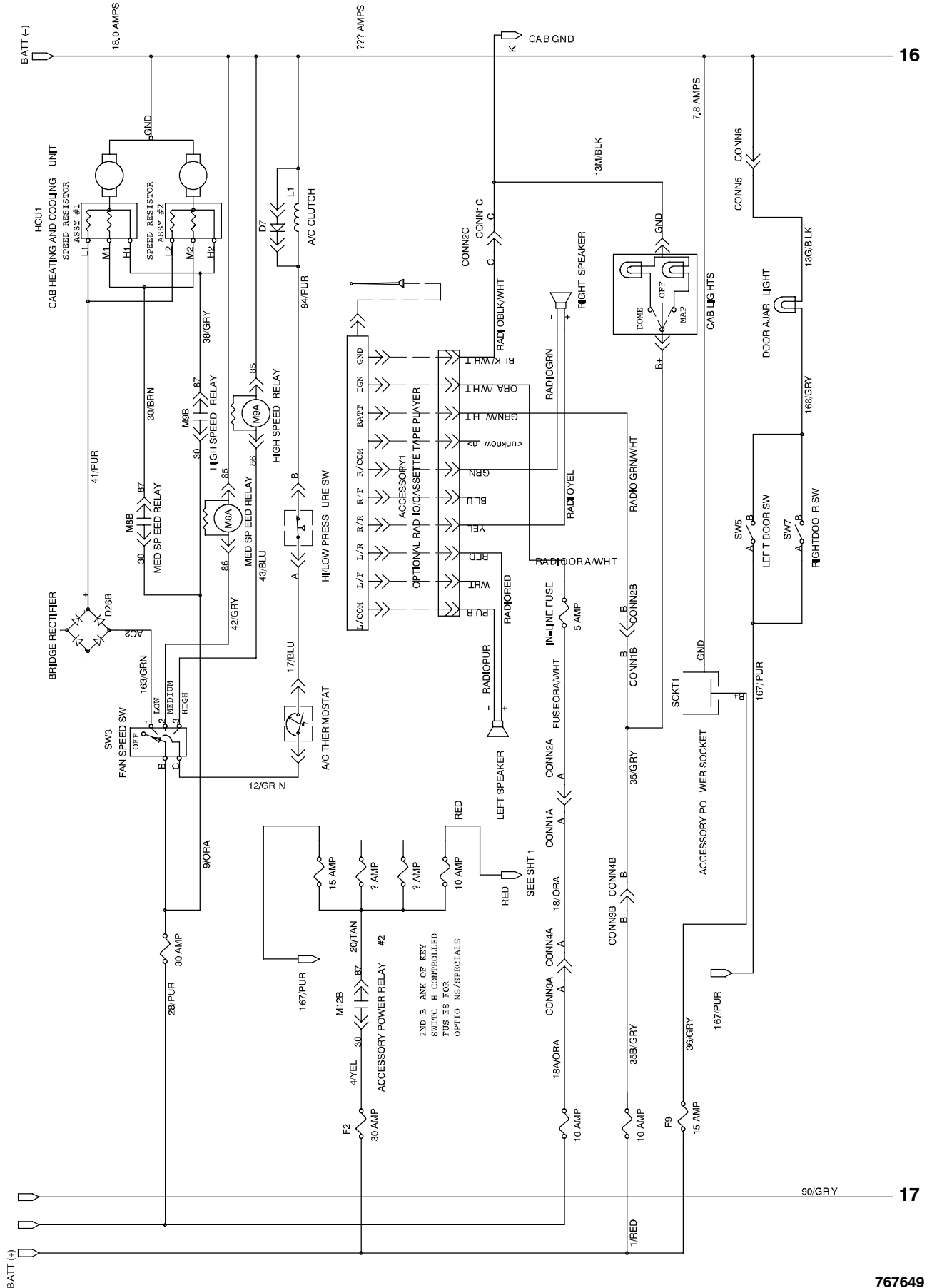


Fig. 67 - Electrical Schematic (000000-008499)

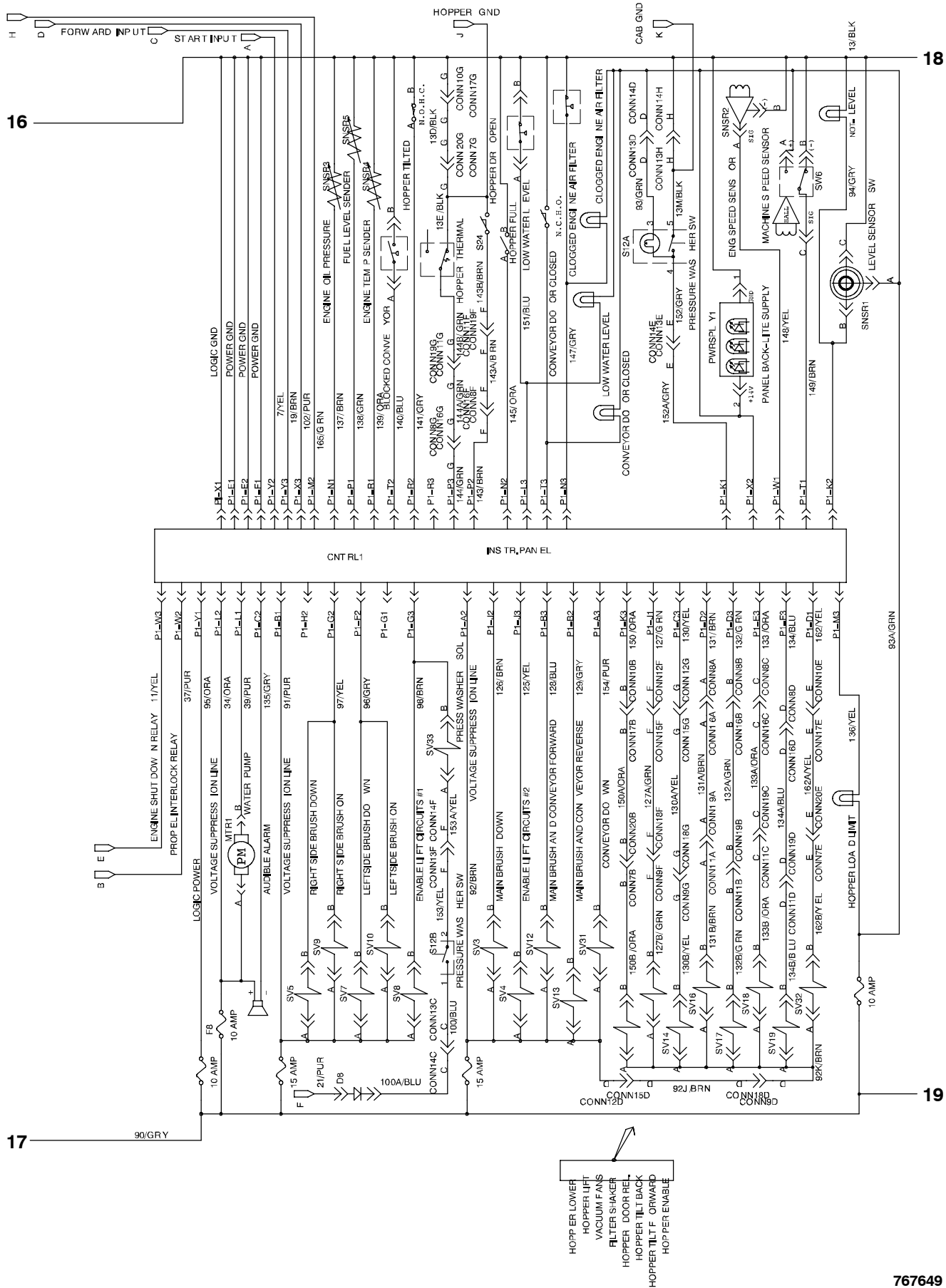


Fig. 67 - Electrical Schematic (000000-008499)

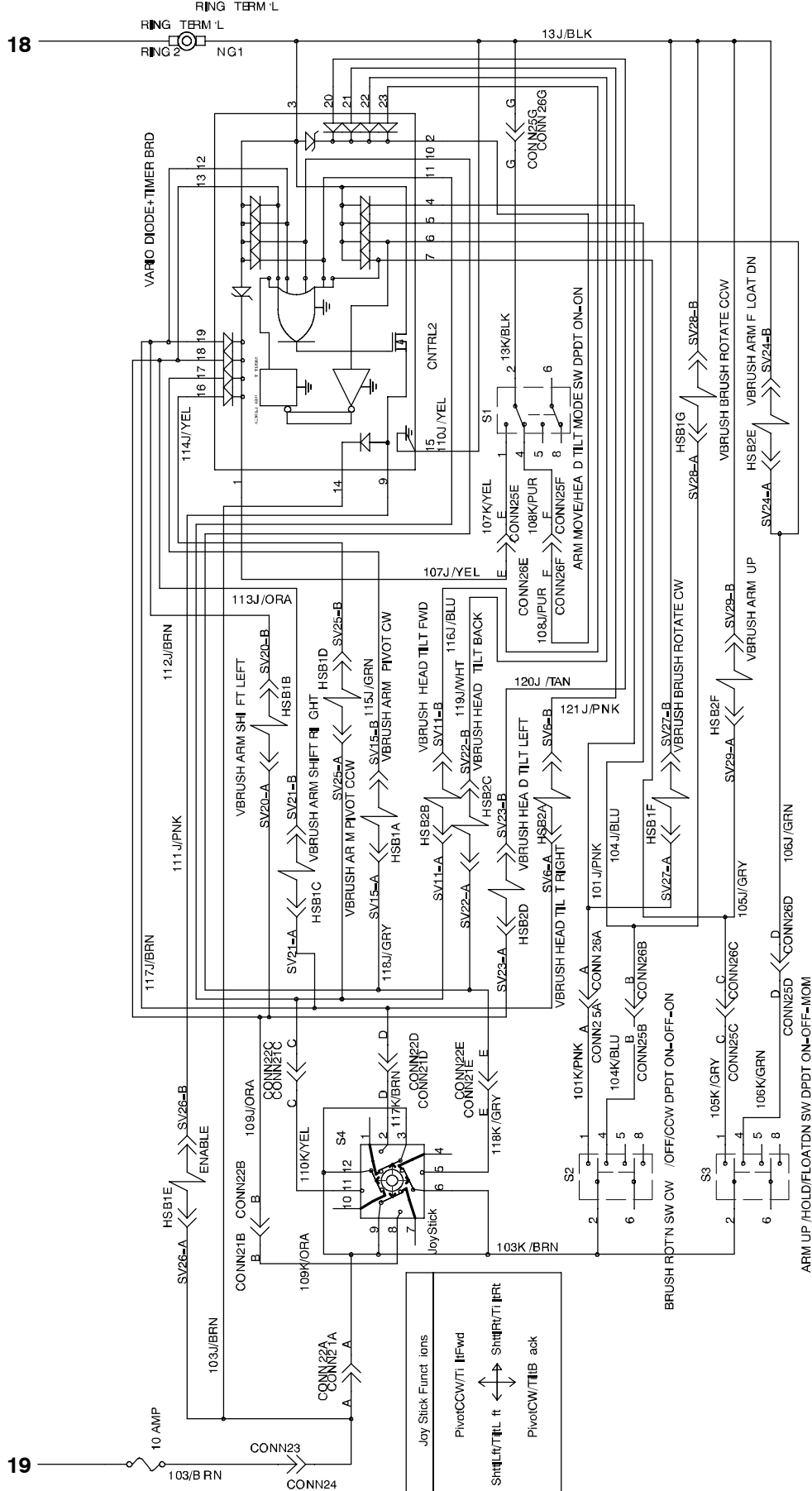
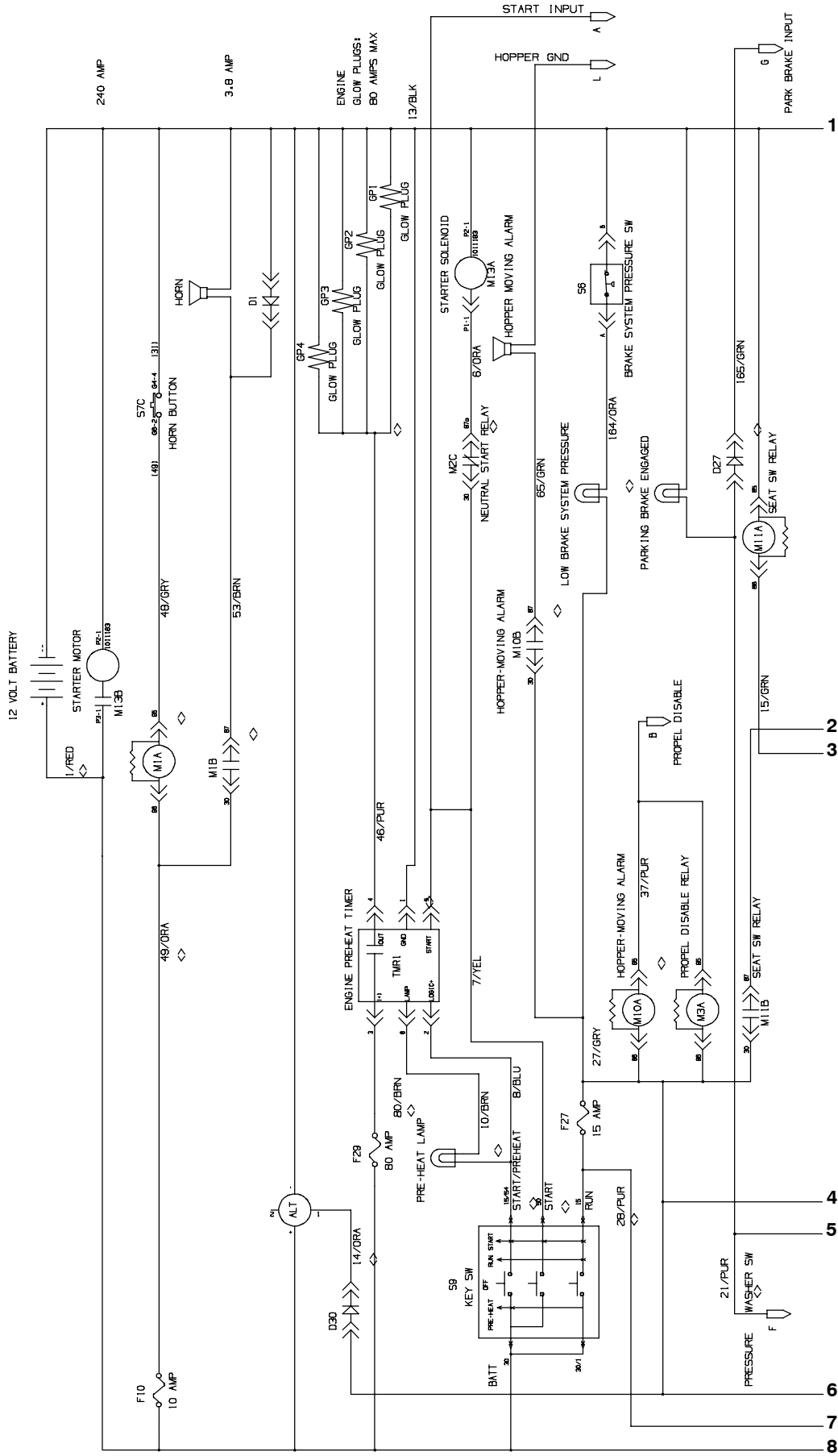
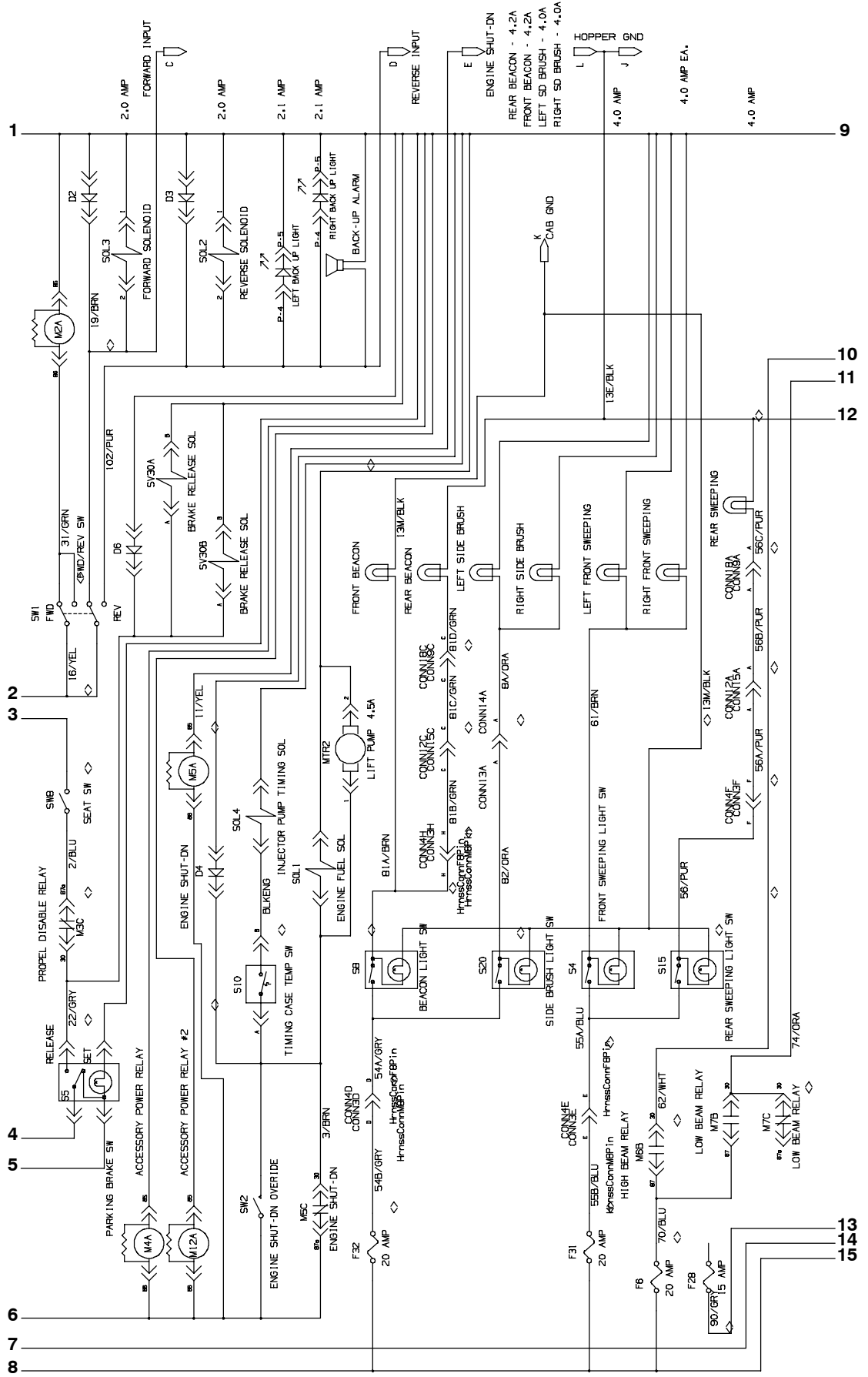


Fig. 68 - Electrical Schematic (008500- )



1048641

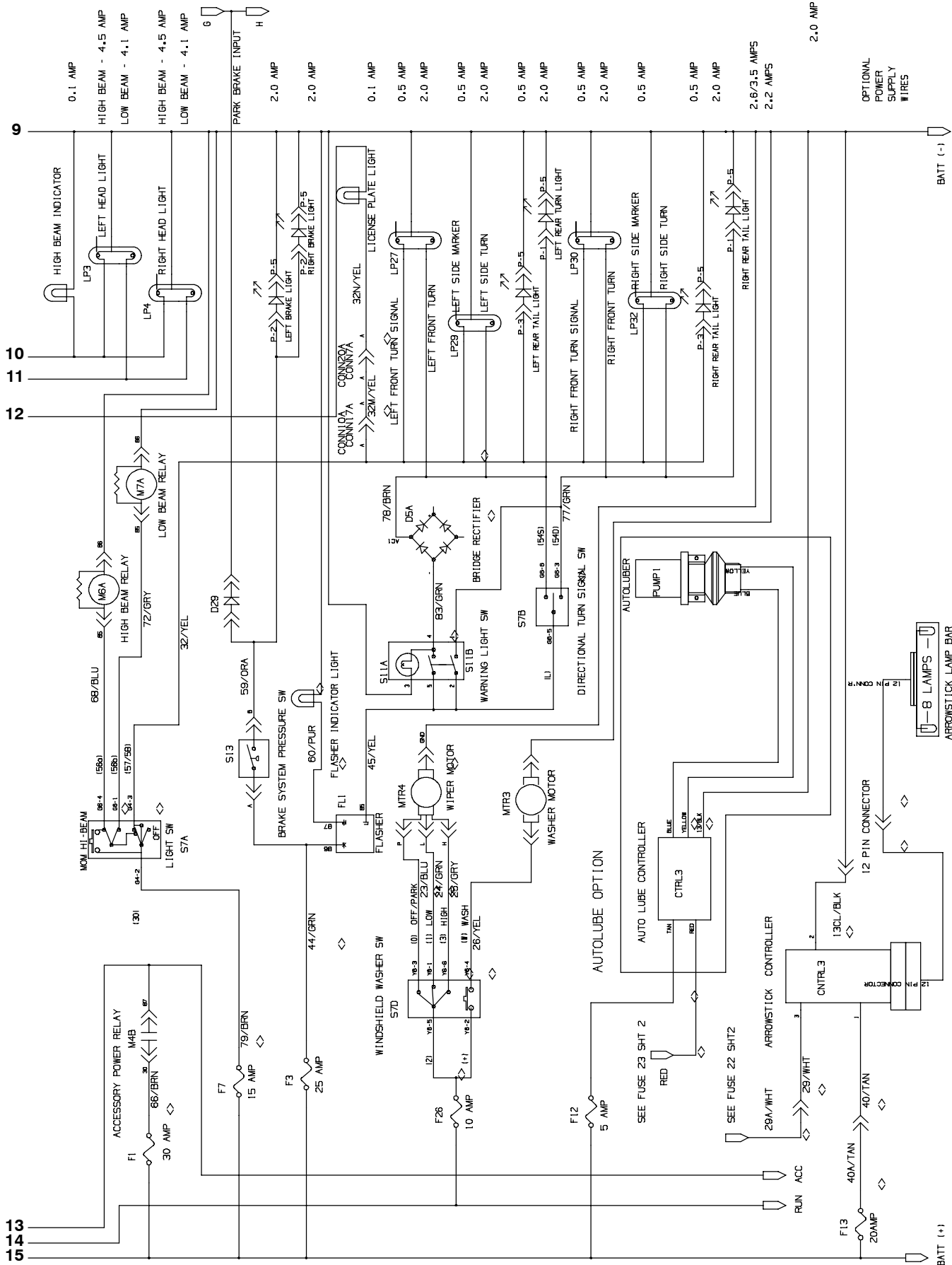
Fig. 68 - Electrical Schematic (008500- )



INSTALL F28 FOR DAYTIME RUNNING LIGHTS

1048641

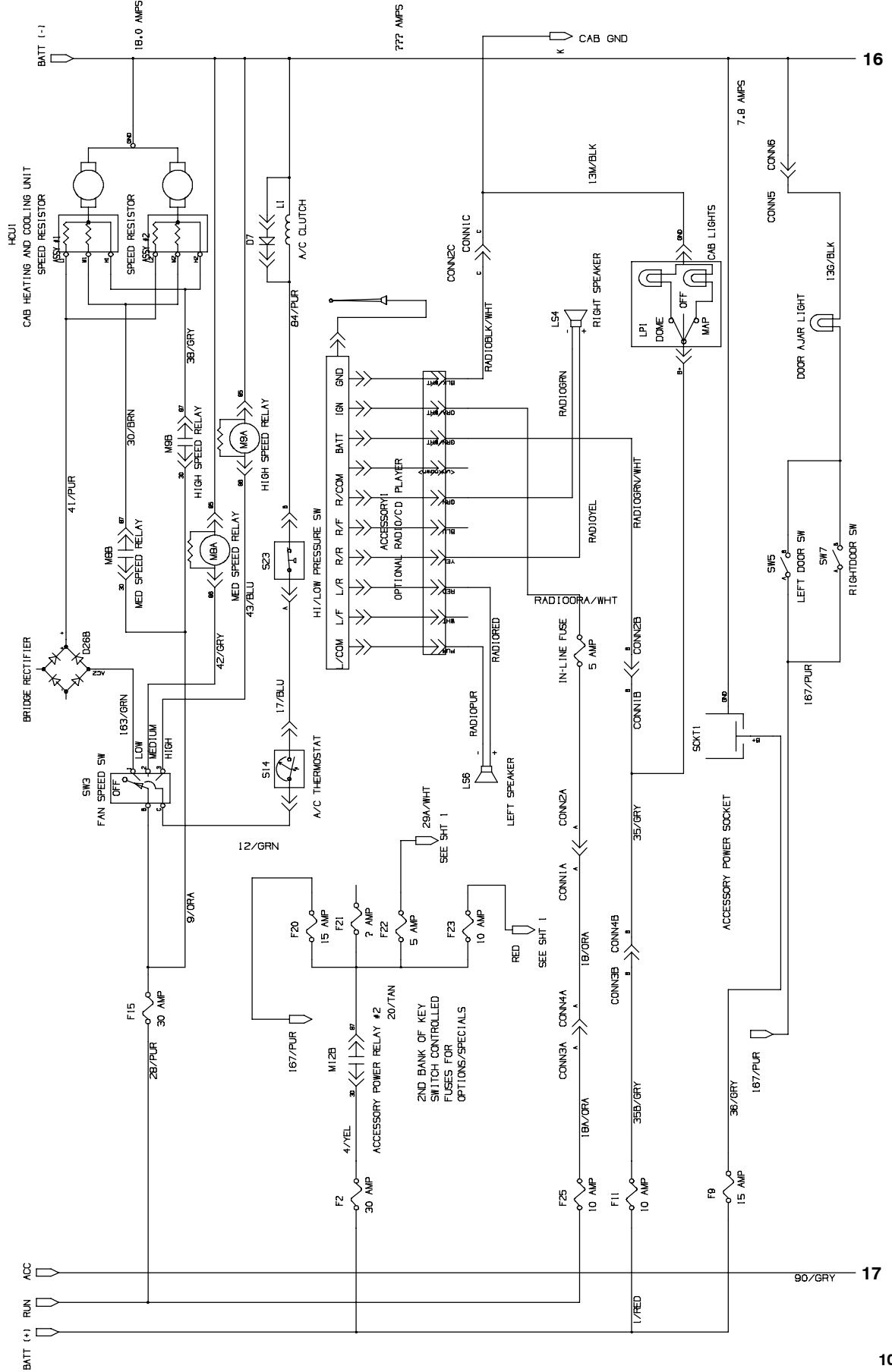
Fig. 68 - Electrical Schematic (008500- )



1048641



Fig. 68 - Electrical Schematic (008500- )



16

17

1048641

Fig. 68 - Electrical Schematic (008500- )

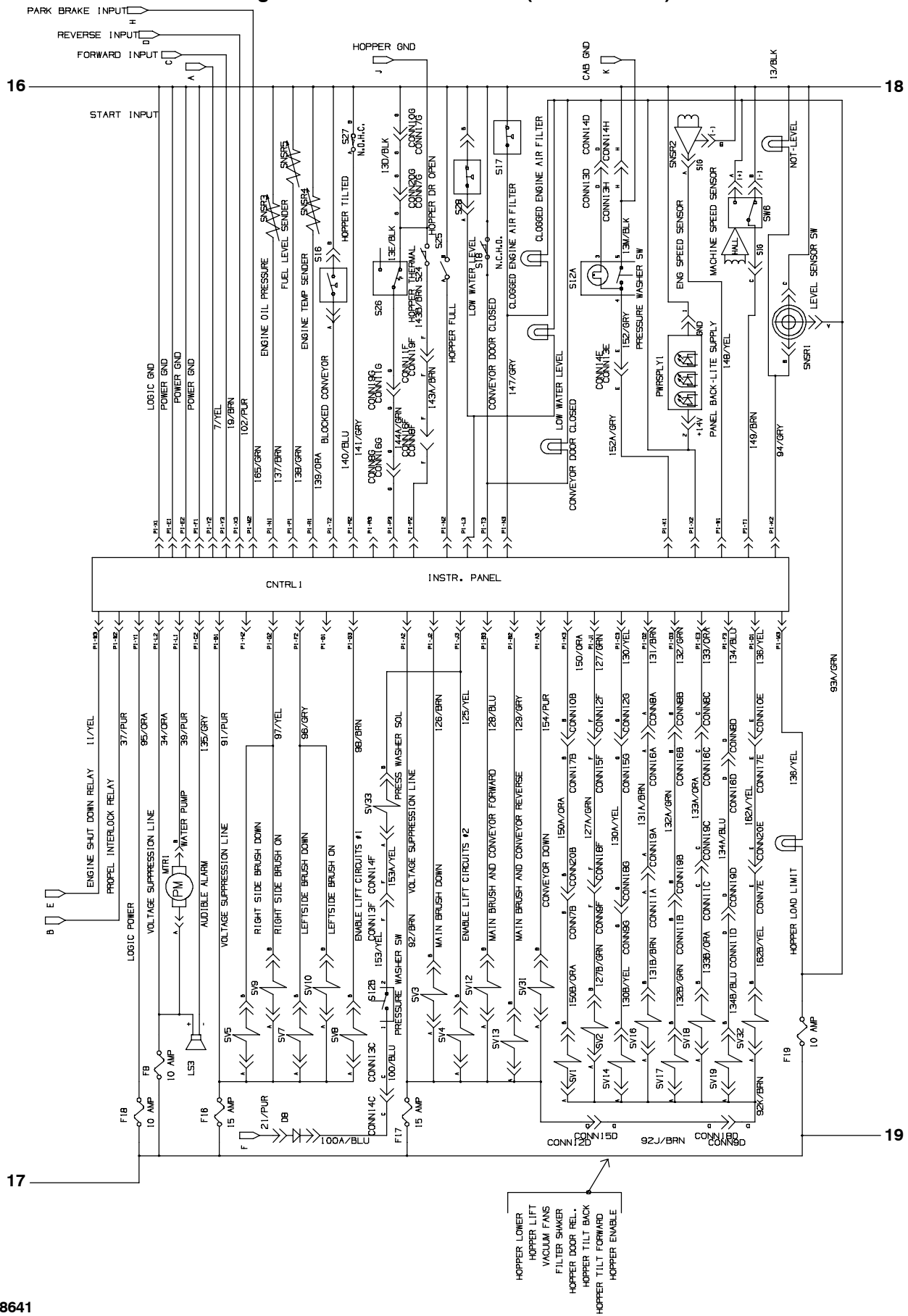


Fig. 68 - Electrical Schematic (008500- )

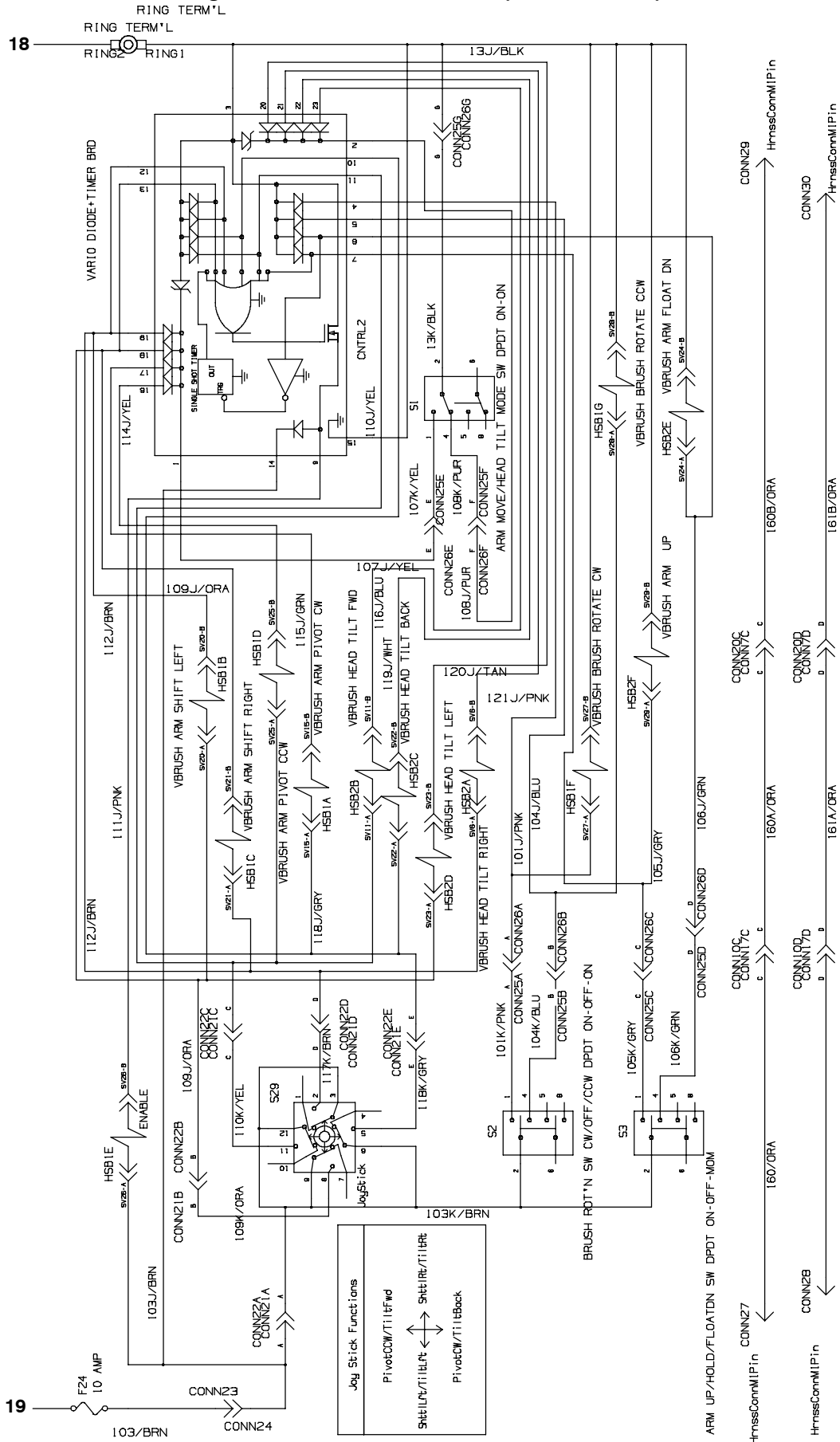


Fig. 69 - Wire Harnesses Group (000000-008499)

## Main Wire Harness

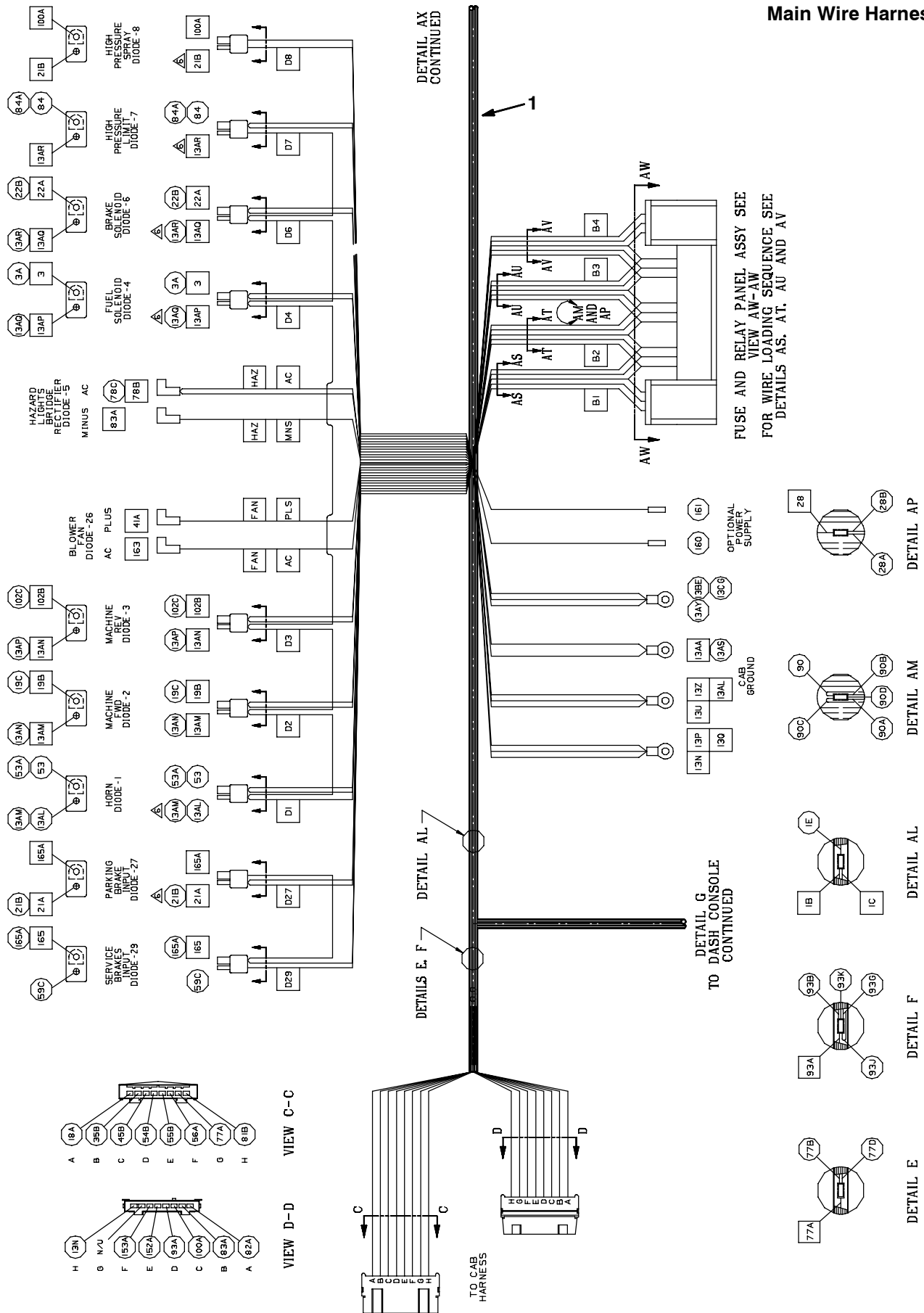


Fig. 69 - Wire Harness Group Group (00000-008499)

Main Wire Harness

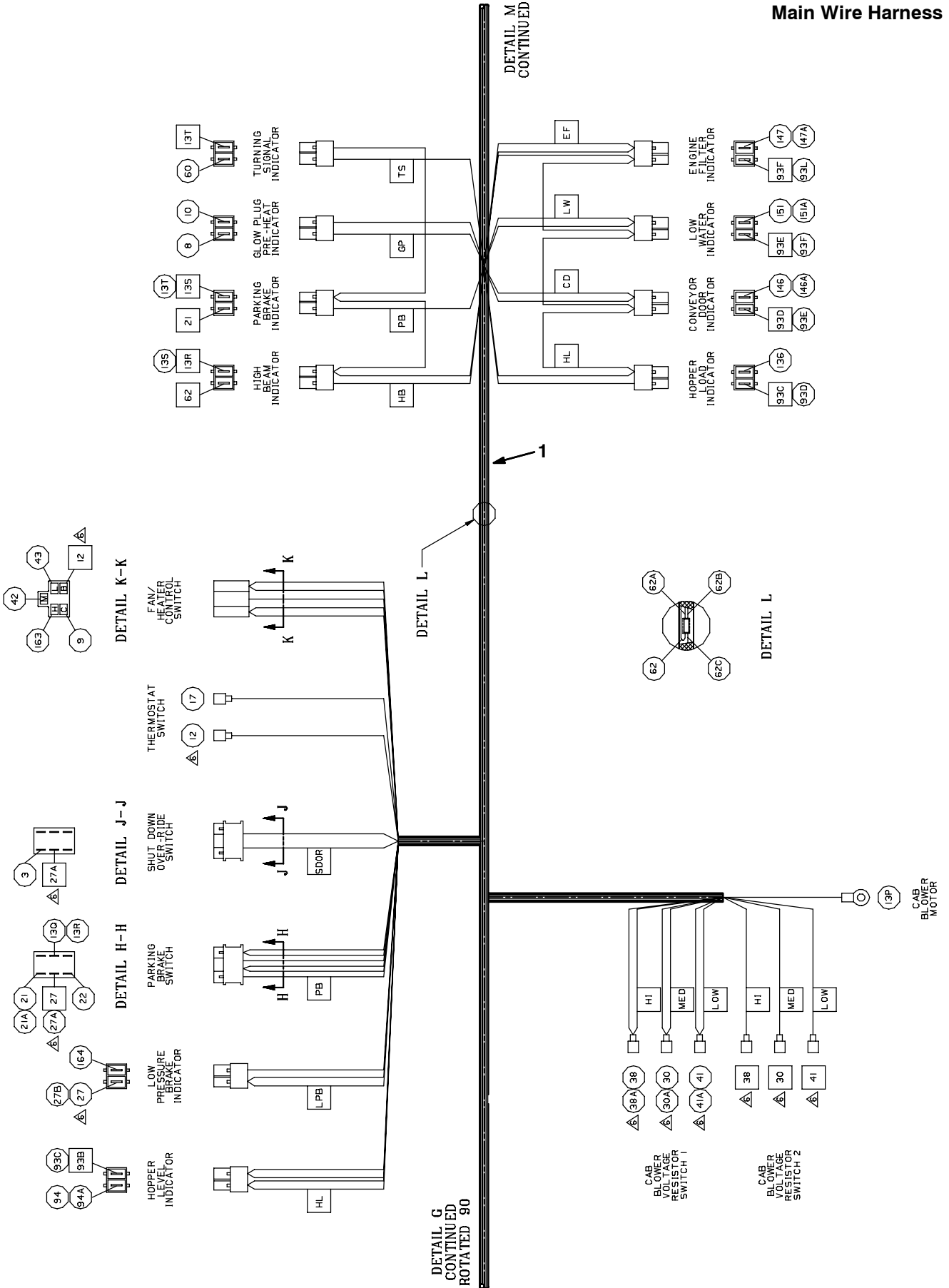
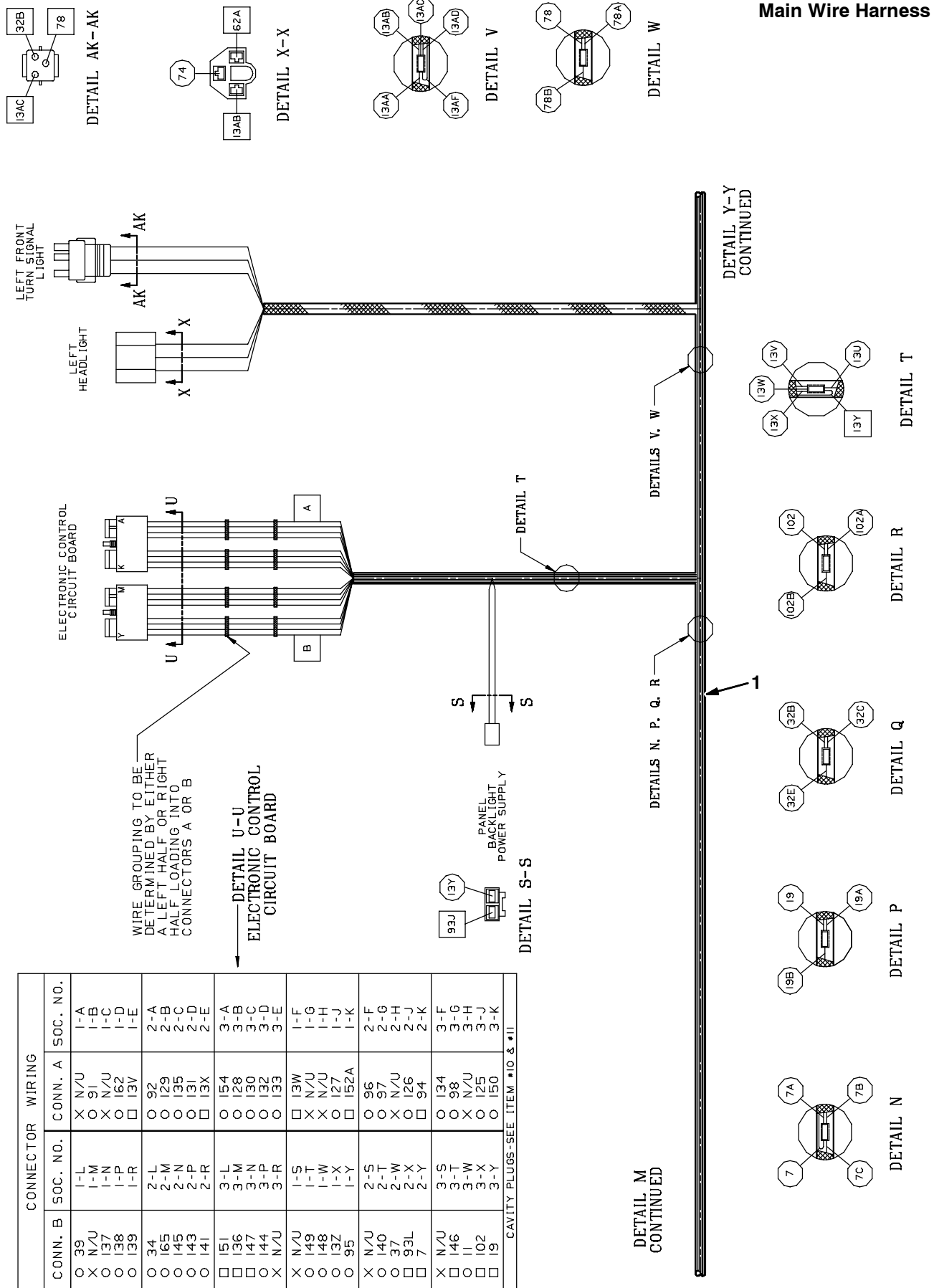


Fig. 69 - Wire Harness Group Group (00000-008499)

Main Wire Harness



CONNECTOR WIRING		CONN. A		SOC. NO.	
CONN. B	SOC. NO.	CONN. A	SOC. NO.	CONN. B	SOC. NO.
X	39	X	N/U	X	1-A
O	137	O	91	O	1-B
O	138	O	N/U	O	1-C
O	139	O	162	O	1-D
O	140	O	13V	O	1-E
O	34	O	92	O	2-A
O	165	O	129	O	2-B
O	145	O	135	O	2-C
O	143	O	131	O	2-D
O	141	O	13X	O	2-E
O	151	O	154	O	3-A
O	136	O	128	O	3-B
O	147	O	130	O	3-C
O	144	O	132	O	3-D
X	N/U	O	133	O	3-E
X	N/U	O	13W	O	1-F
O	149	X	N/U	O	1-G
O	148	X	N/U	O	1-H
O	13Z	O	127	O	1-J
O	95	O	152A	O	1-K
X	N/U	O	96	O	2-F
O	140	O	97	O	2-G
O	37	X	N/U	O	2-H
O	93L	O	126	O	2-J
O	7	O	94	O	2-K
X	N/U	O	134	O	3-F
O	146	O	98	O	3-G
O	102	X	N/U	O	3-H
O	19	O	125	O	3-J
O	19	O	150	O	3-K

CAVITY PLUGS-SEE ITEM #10 & #11

Fig. 69 - Wire Harness Group Group (00000-008499)

Main Wire Harness

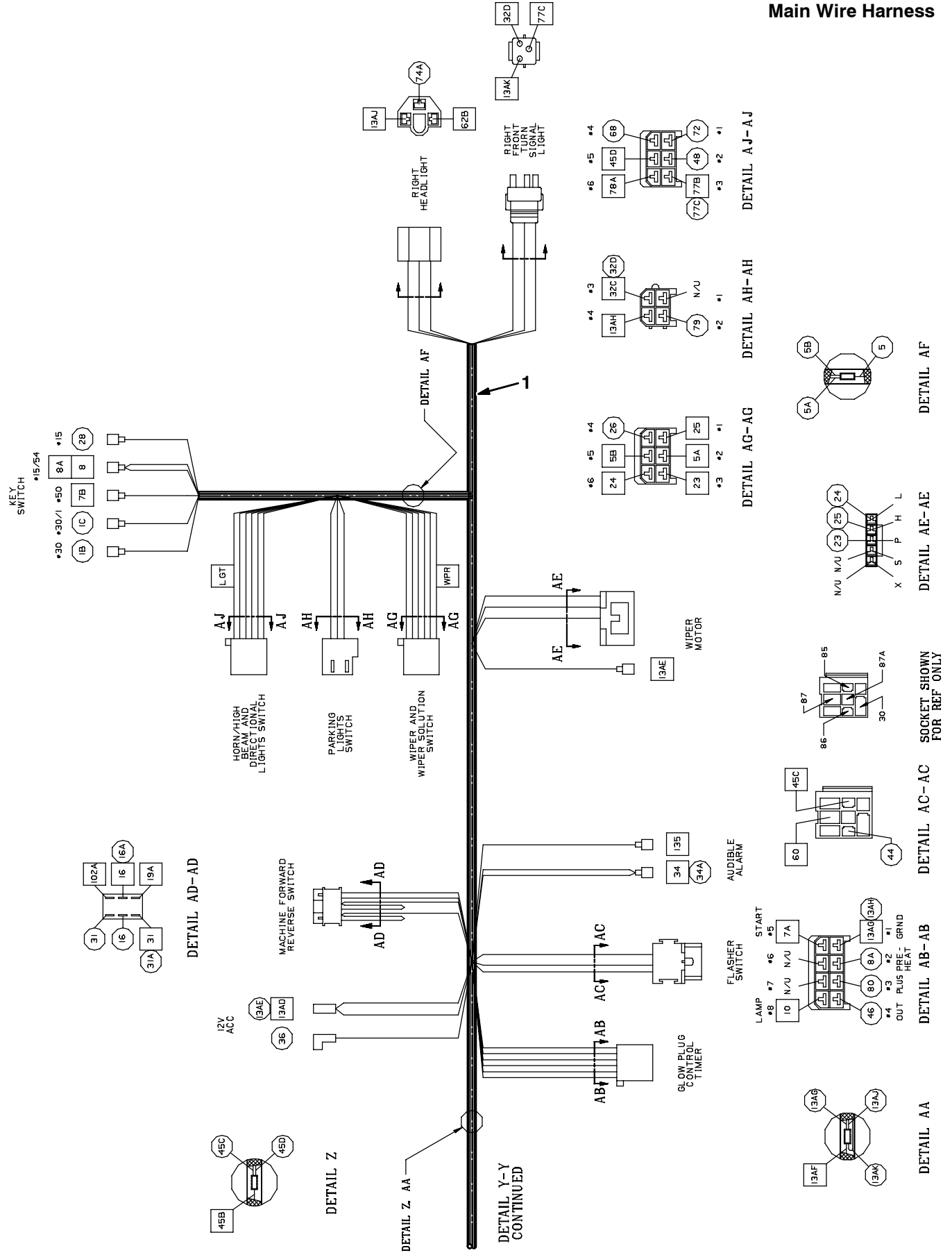


Fig. 69 - Wire Harnesses Group Group (00000-008499)

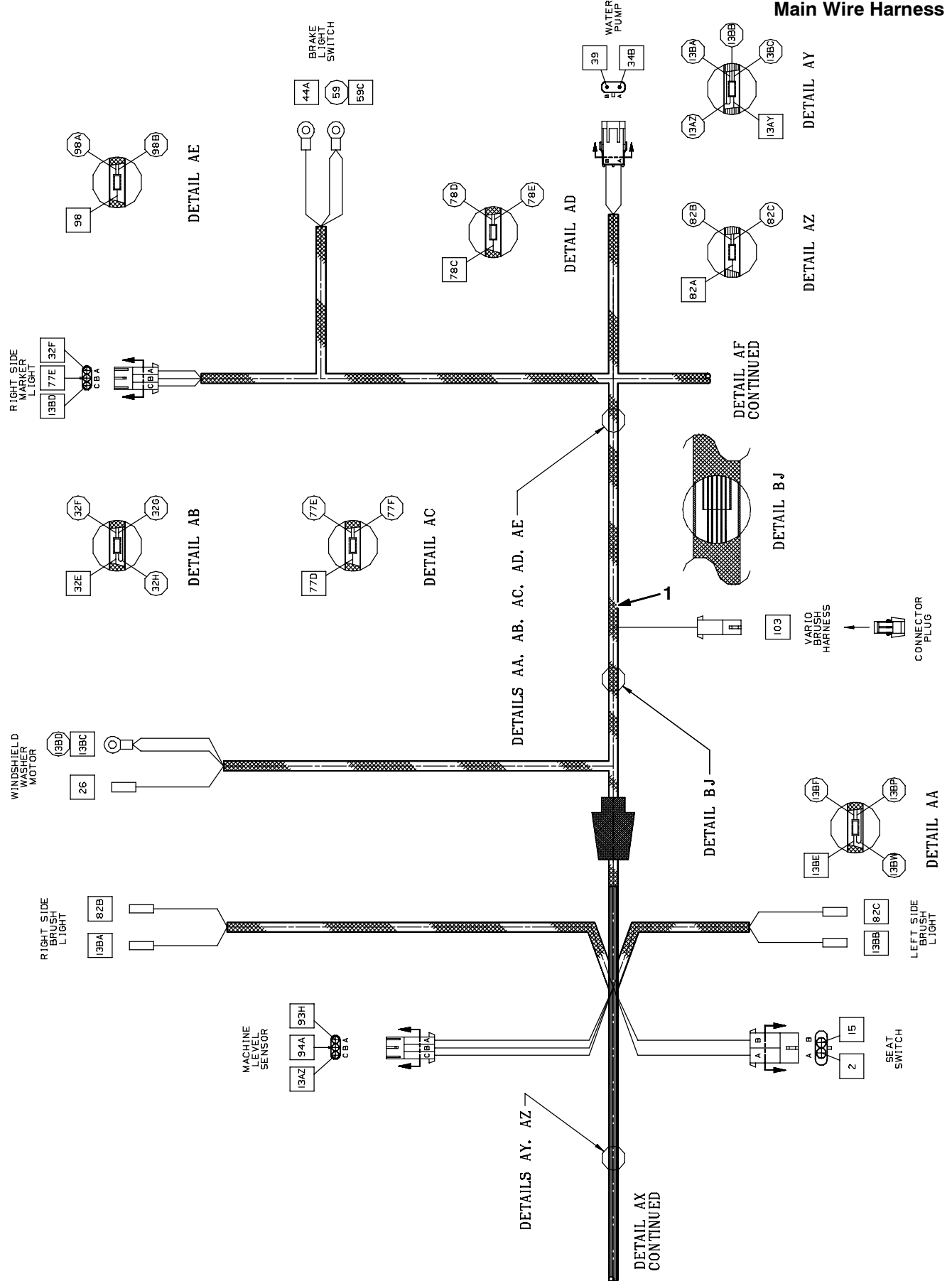
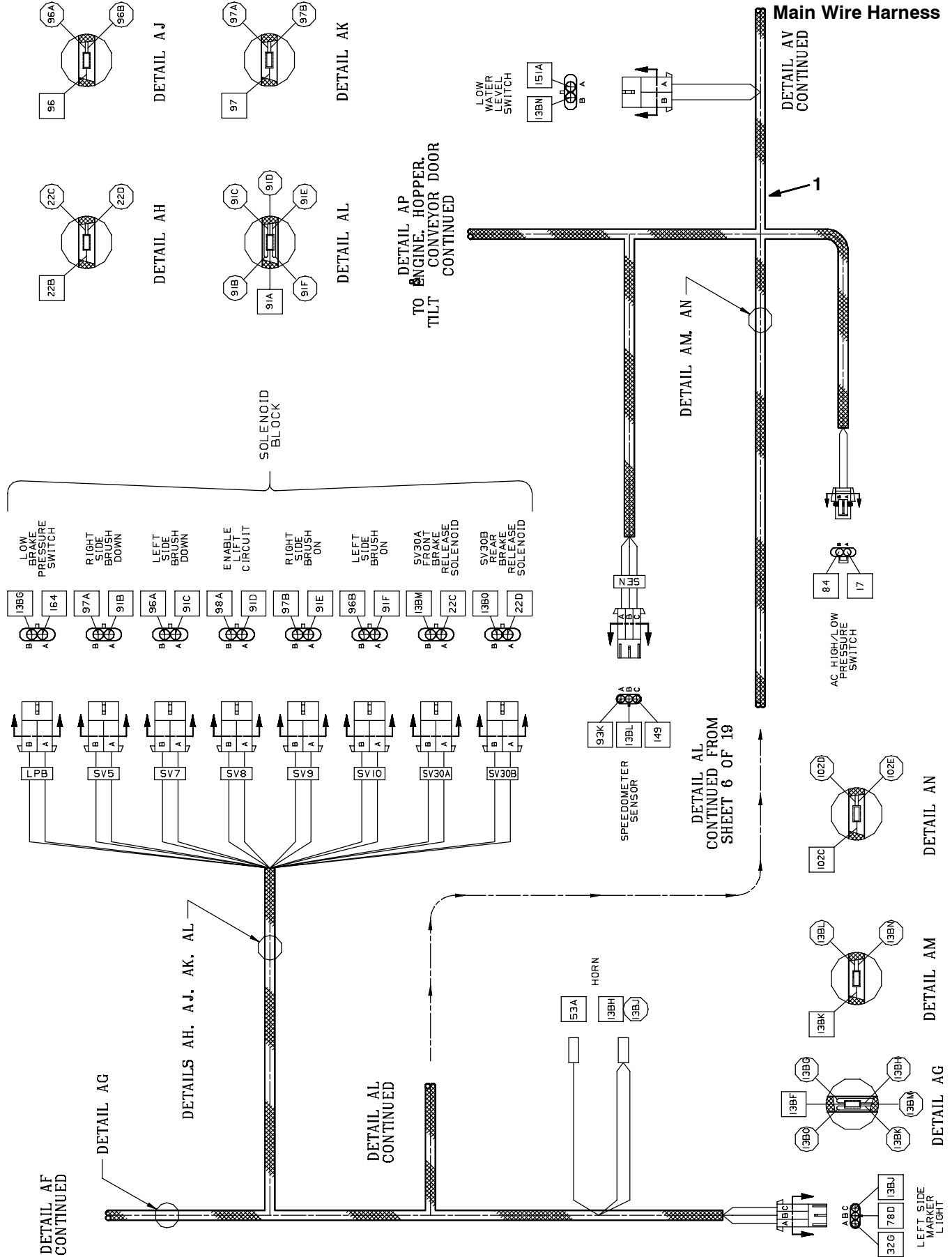




Fig. 69 - Wire Harness Group Group (00000-008499)



## Fig. 69 - Wire Harness Group Group (00000-008499)

### Main Wire Harness

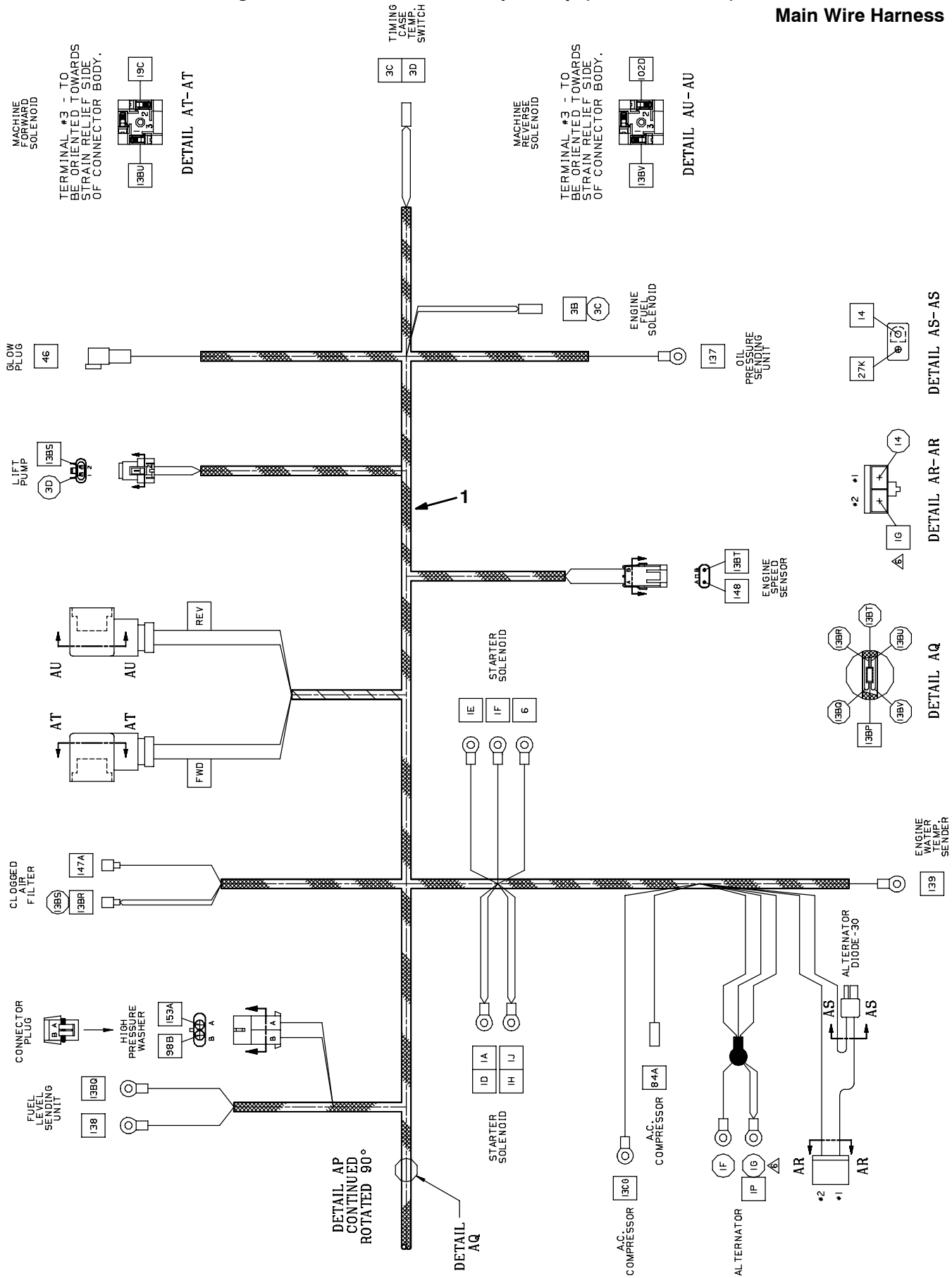


Fig. 69 - Wire Harnesses Group Group (00000-008499)

Main Wire Harness

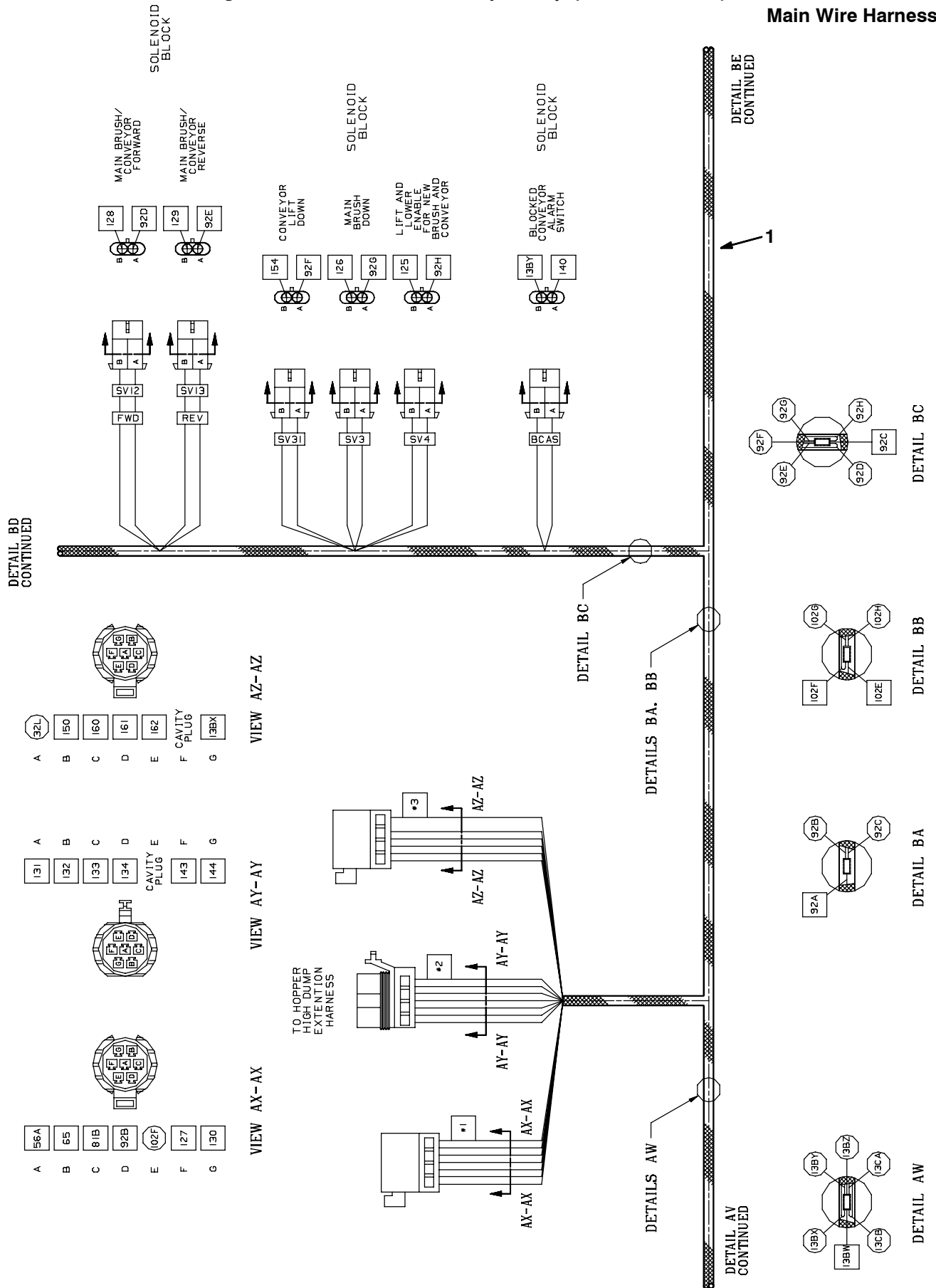


Fig. 69 - Wire Harnesses Group Group (00000-008499)

Main Wire Harness

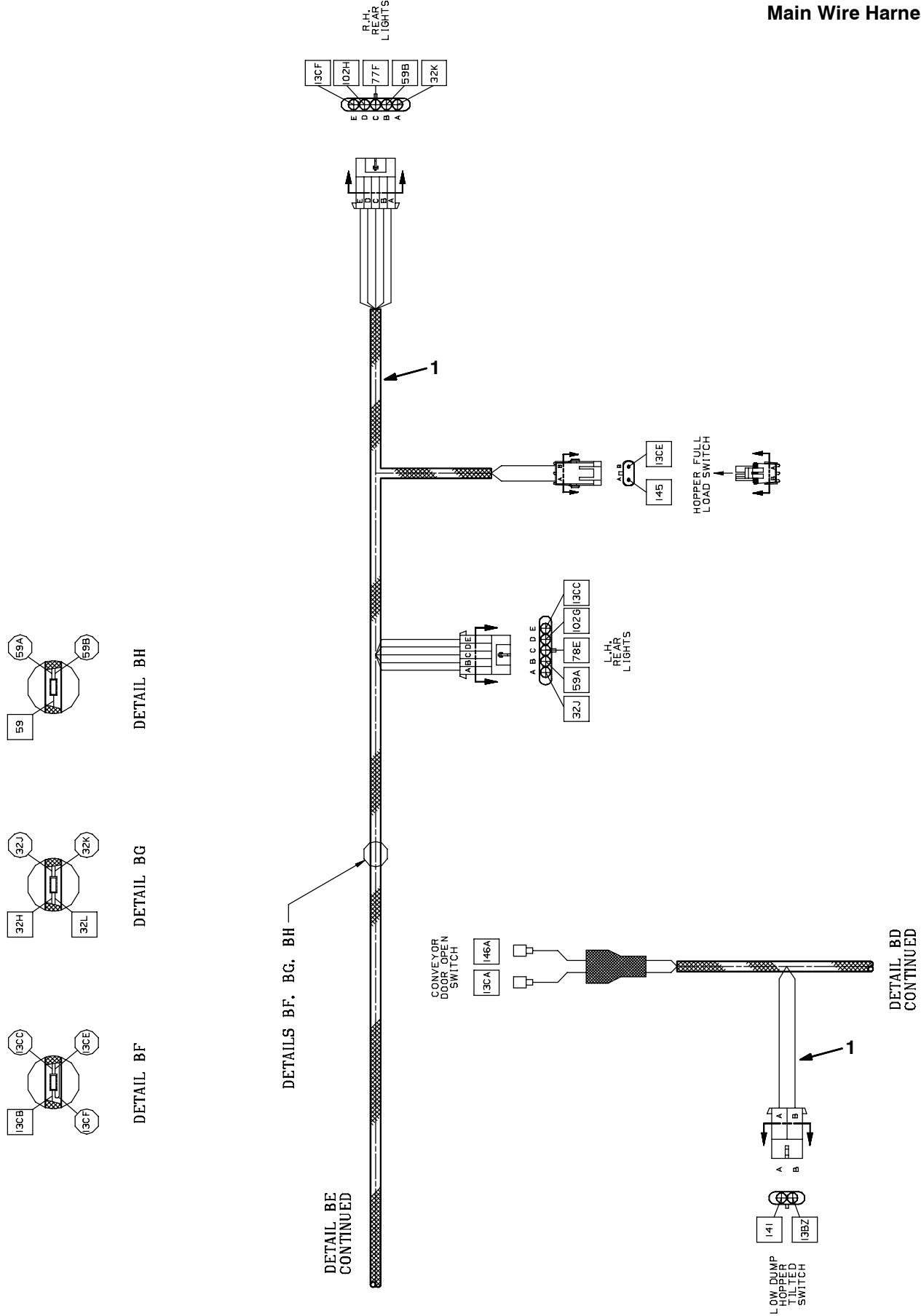
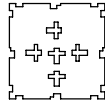
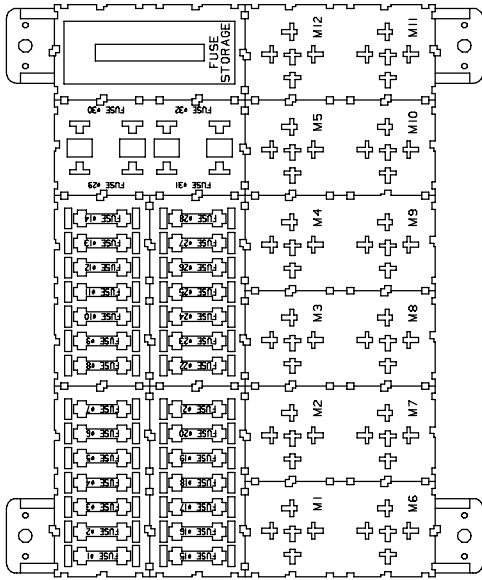


Fig. 69 - Wire Harnesses Group Group (00000-008499)

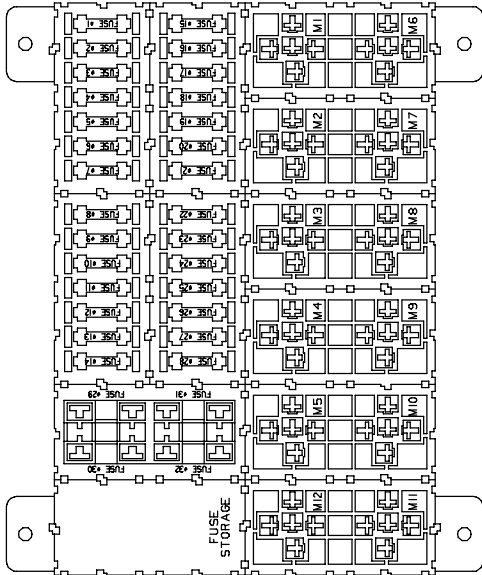
Main Wire Harness



RELAY SOCKET SHOWN FOR REFERENCE ONLY

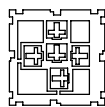


FUSE/RELAY PANEL AS VIEWED FROM THE FRONT



VIEW AW-AW

FUSE/RELAY PANEL AS VIEWED FROM WIRE LOADING SIDE. FOR DETAILS AS. AT. AU AND AV



RELAY SOCKET SHOWN FOR REFERENCE ONLY

FUSE PANEL ASSEMBLY WIRING		TERMINAL LOADING TOP HALF	TERMINAL LOADING BOTTOM HALF
1	IK	1	66
2	IP	2	4
3	IH, BUS BAR - 92769 & INSULATOR - 75642	3	44 & O 44A
4	BUS	4	55B
5	BUS	5	54B
6	IM	6	70
7	IN	7	79
8	900, BUS BAR - 92769 & INSULATOR - 75642	8	34A & O 34B
9	BUS	9	36
10	BUS	10	49 & O 49A
11	10, BUS BAR - 92768 & INSULATOR - 75565	11	35B
12	BUS	12	N/U
13	BUS	13	X
14	BUS	14	X
15	28A	15	9 & O 9A
16	90, BUS BAR - 92768 & INSULATOR - 75565	16	91 & O 91A
17	BUS	17	92 & O 92A
18	BUS	18	95
19	BUS	19	93G & O 93H
20	20 & O 20B	20	N/U
21	20A & O 20C	21	N/U
22	20B	22	N/U
23	20C	23	N/U
24	20D	24	183
25	20E, BUS BAR - 92769 & INSULATOR - 75642	25	184
26	BUS	26	5
27	BUS	27	27F & O 27G
28	90A	28	33
29	IL	29	8D

- 3 POSITION BUS BAR TERMINAL
- 3 POSITION BUS BAR TERMINAL
- 4 POSITION BUS BAR TERMINAL
- 4 POSITION BUS BAR TERMINAL
- 3 POSITION BUS BAR TERMINAL
- MAXI-FUSE

Fig. 69 - Wire Harnesses Group Group (00000-008499)

## Main Wire Harness

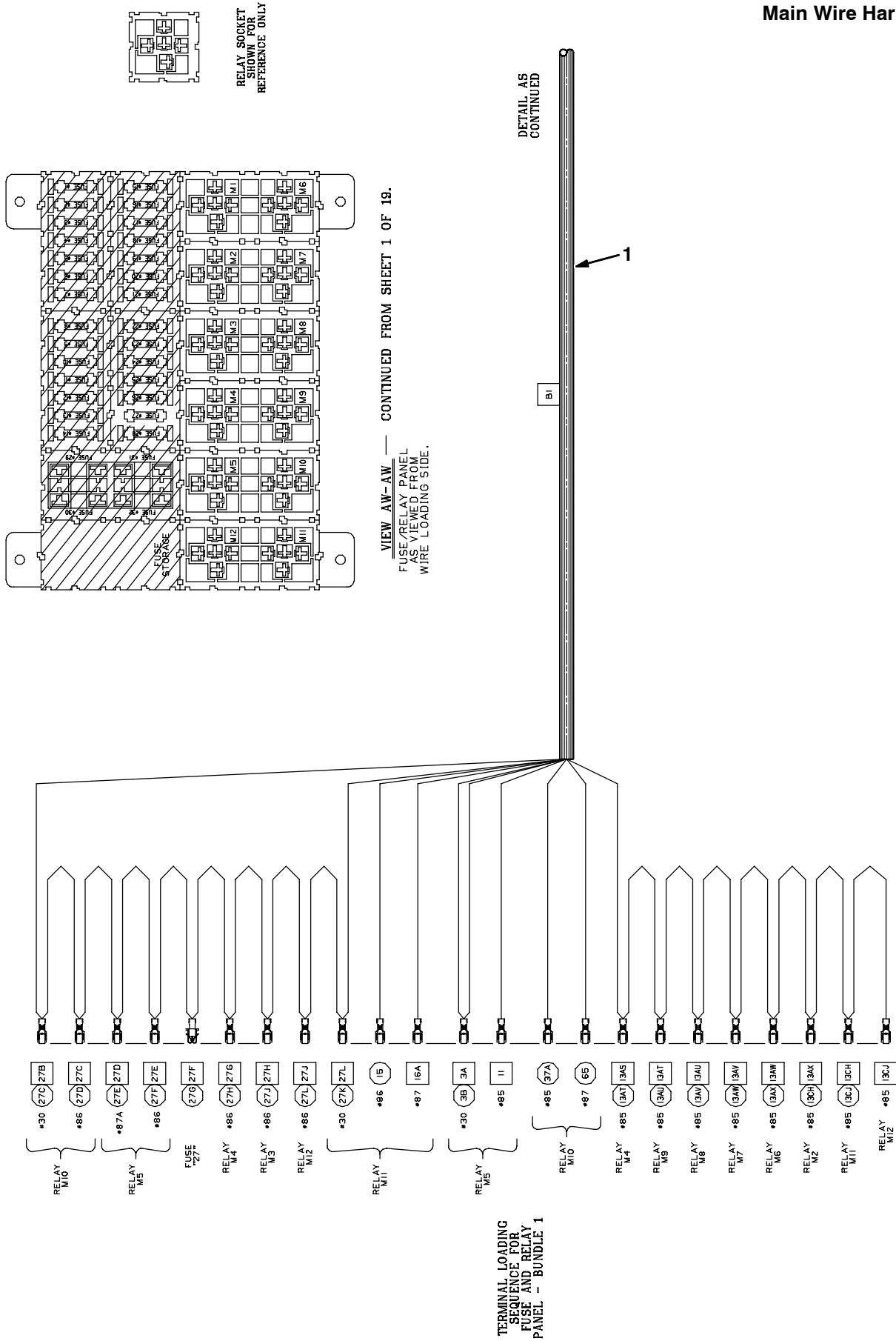


Fig. 69 - Wire Harnesses Group Group (00000-008499)

Main Wire Harness

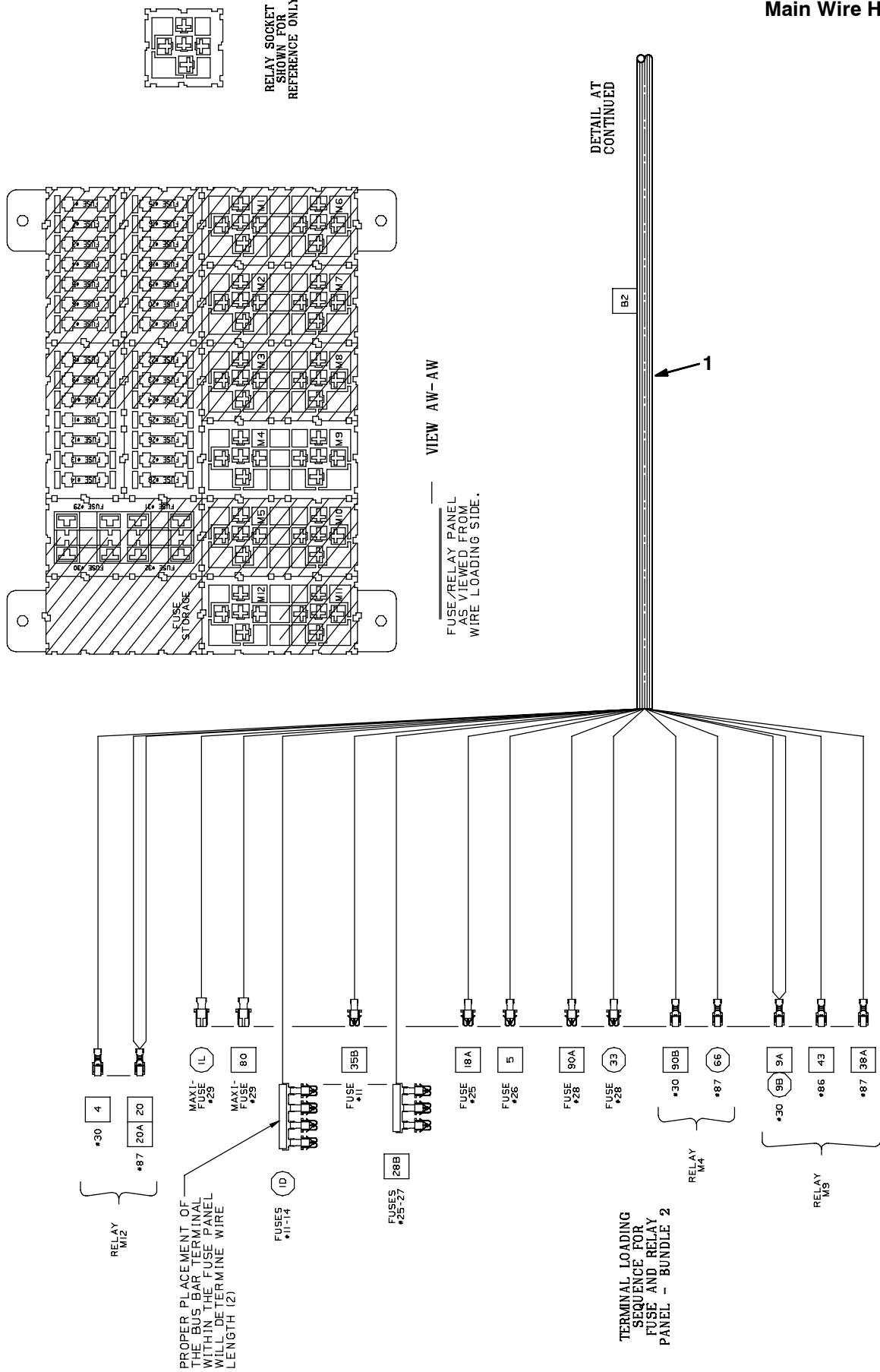


Fig. 69 - Wire Harness Group Group (00000-008499)

Main Wire Harness

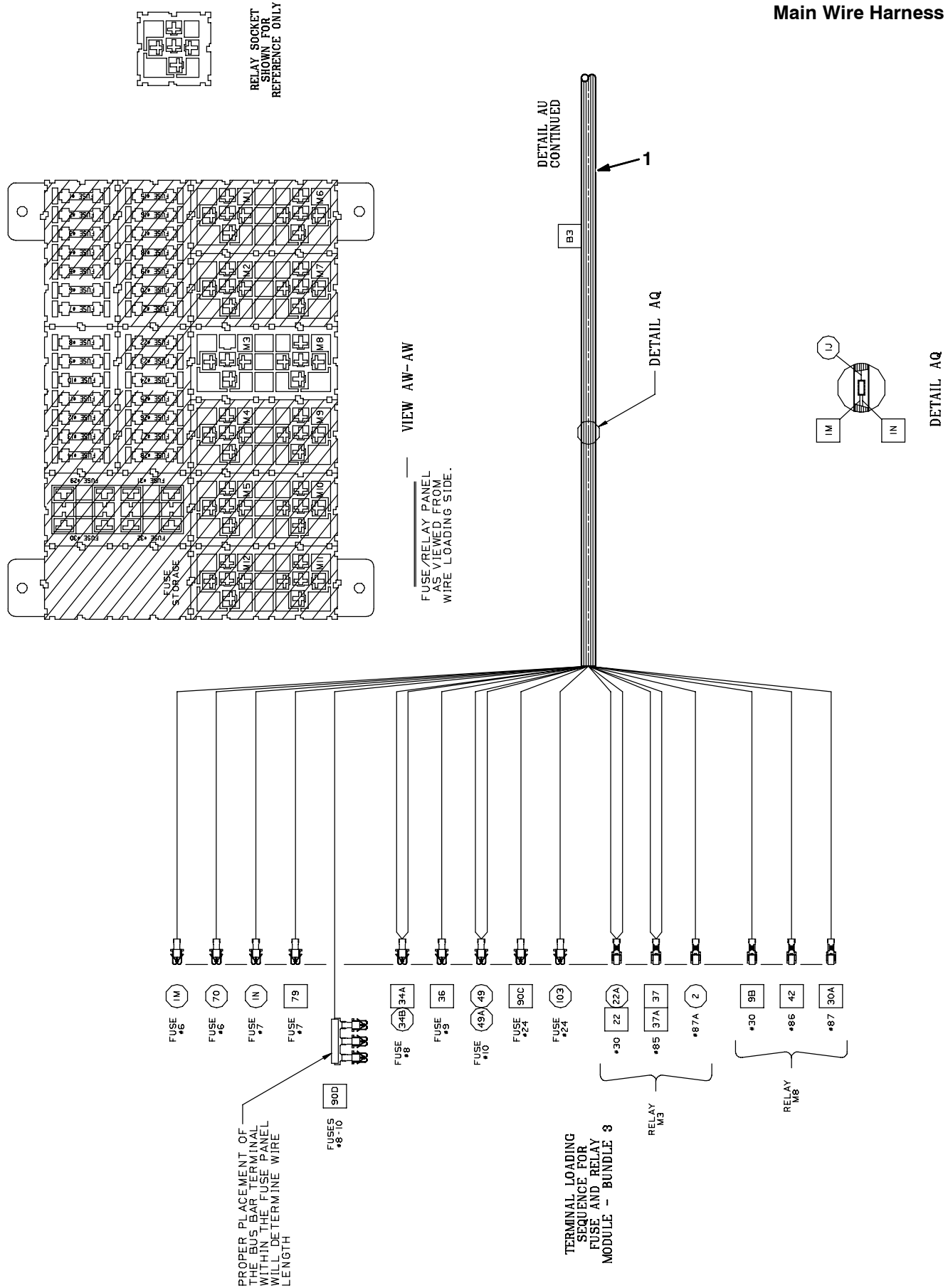




Fig. 69 - Wire Harness Group Group (00000-008499)

Main Wire Harness

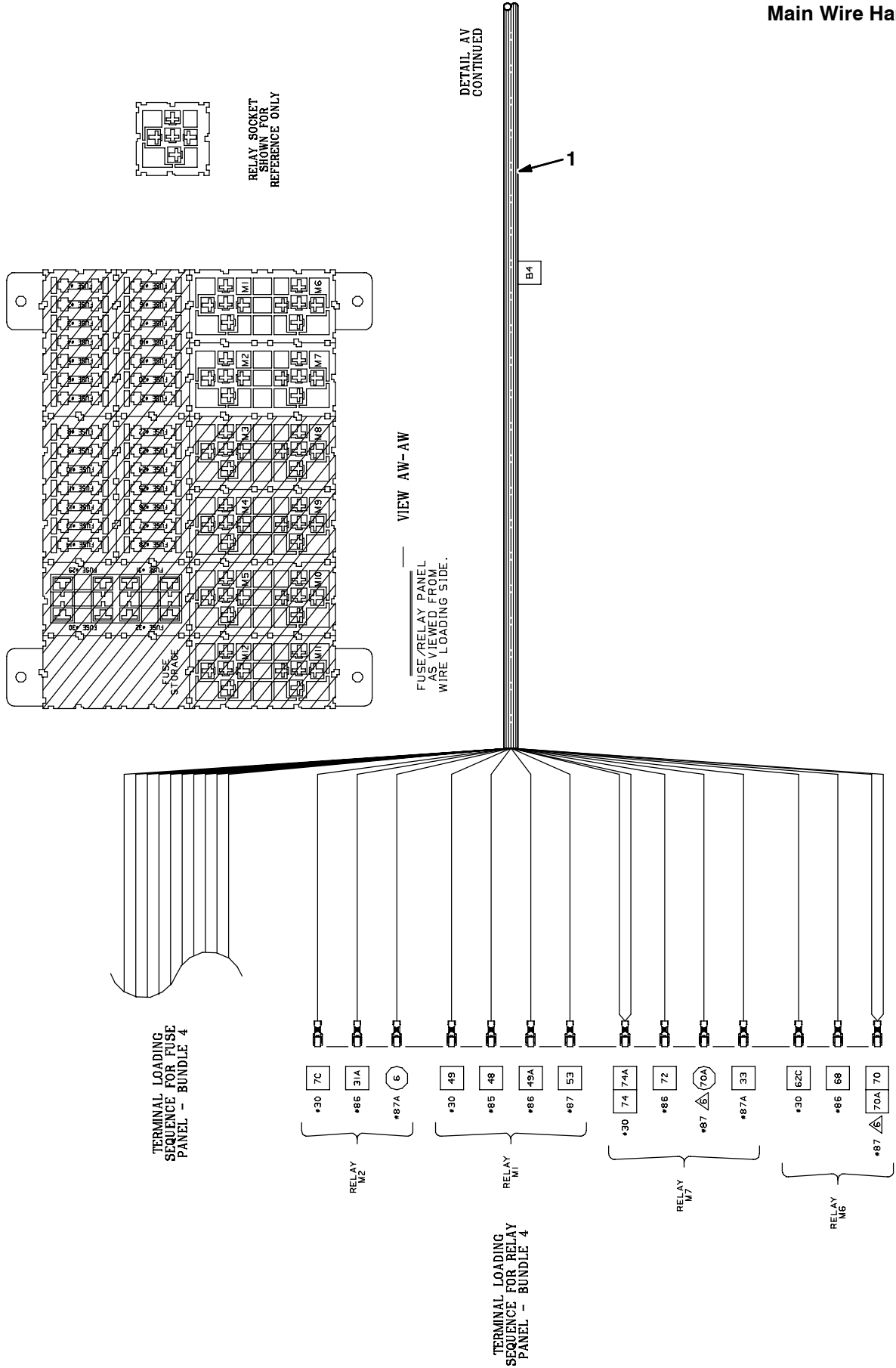


Fig. 69 - Wire Harnesses Group Group (00000-008499)

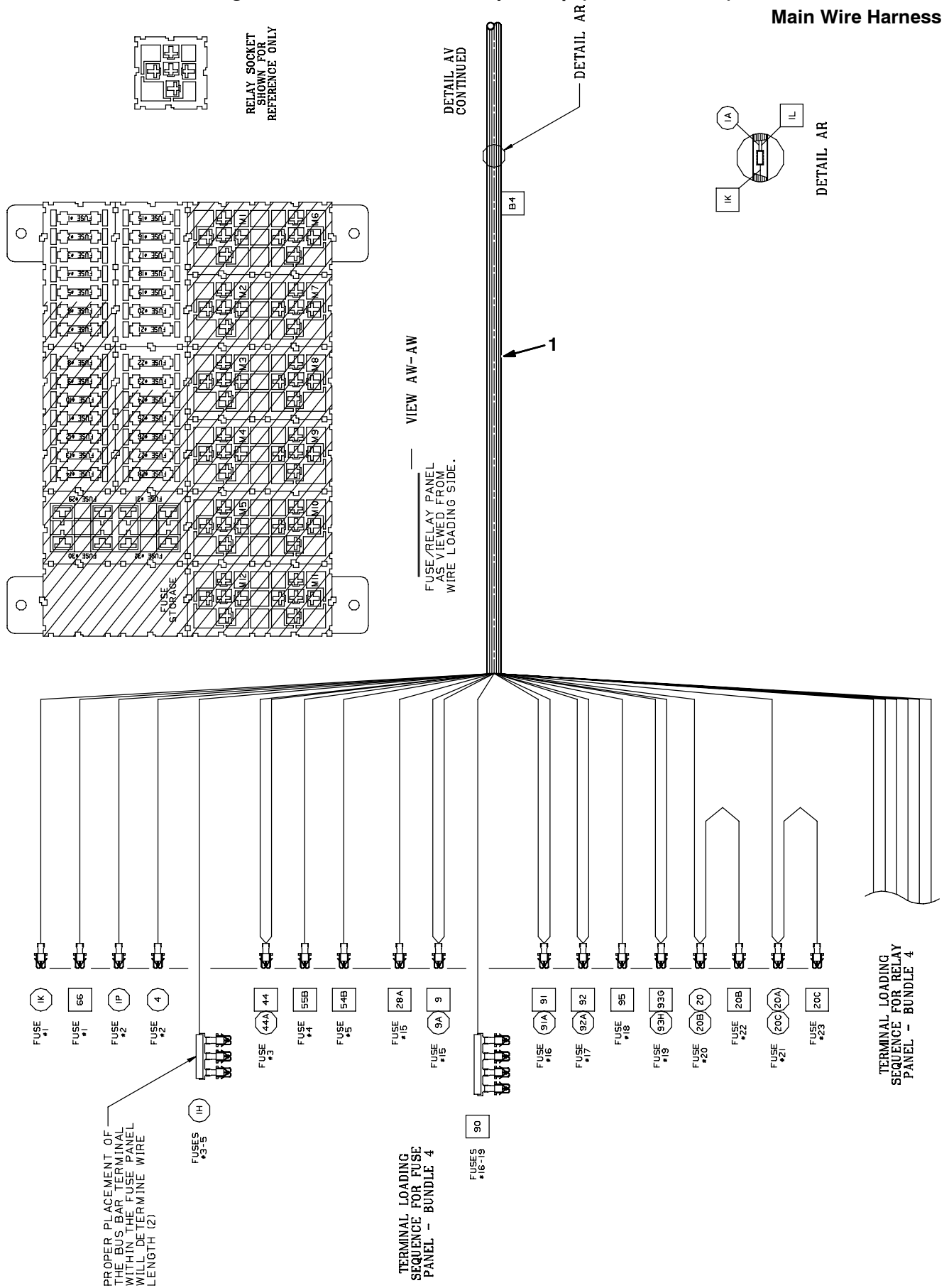


Fig. 69 - Wire Harnesses Group Group (00000-008499)

Cab Wire Harness

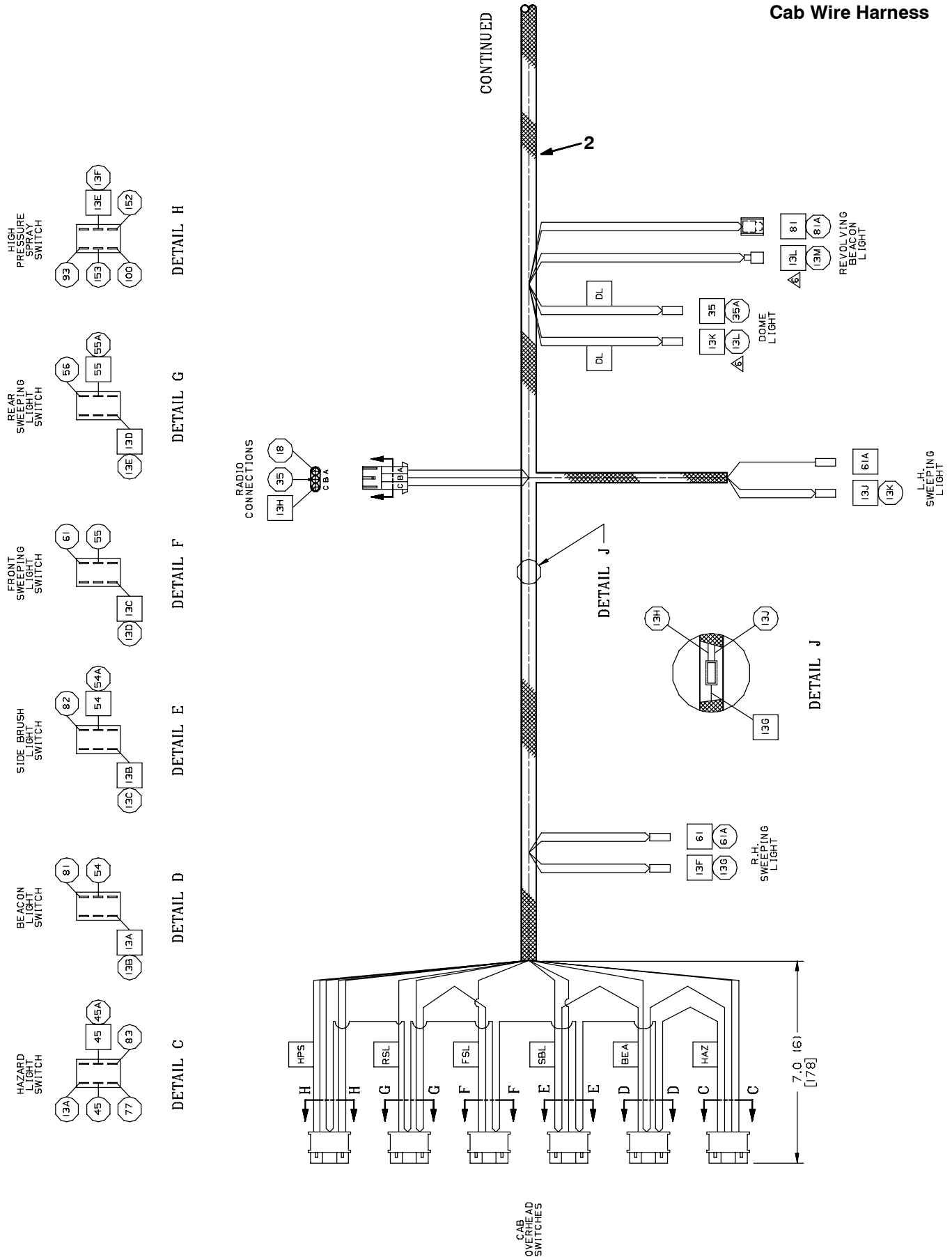
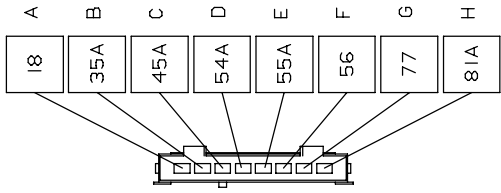
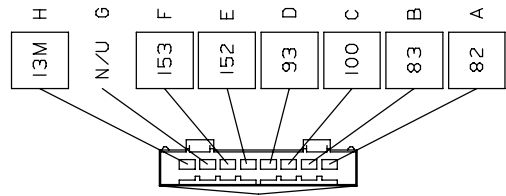


Fig. 69 - Wire Harnesses Group Group (00000-008499)

Cab Wire Harness



VIEW K-K



VIEW L-L

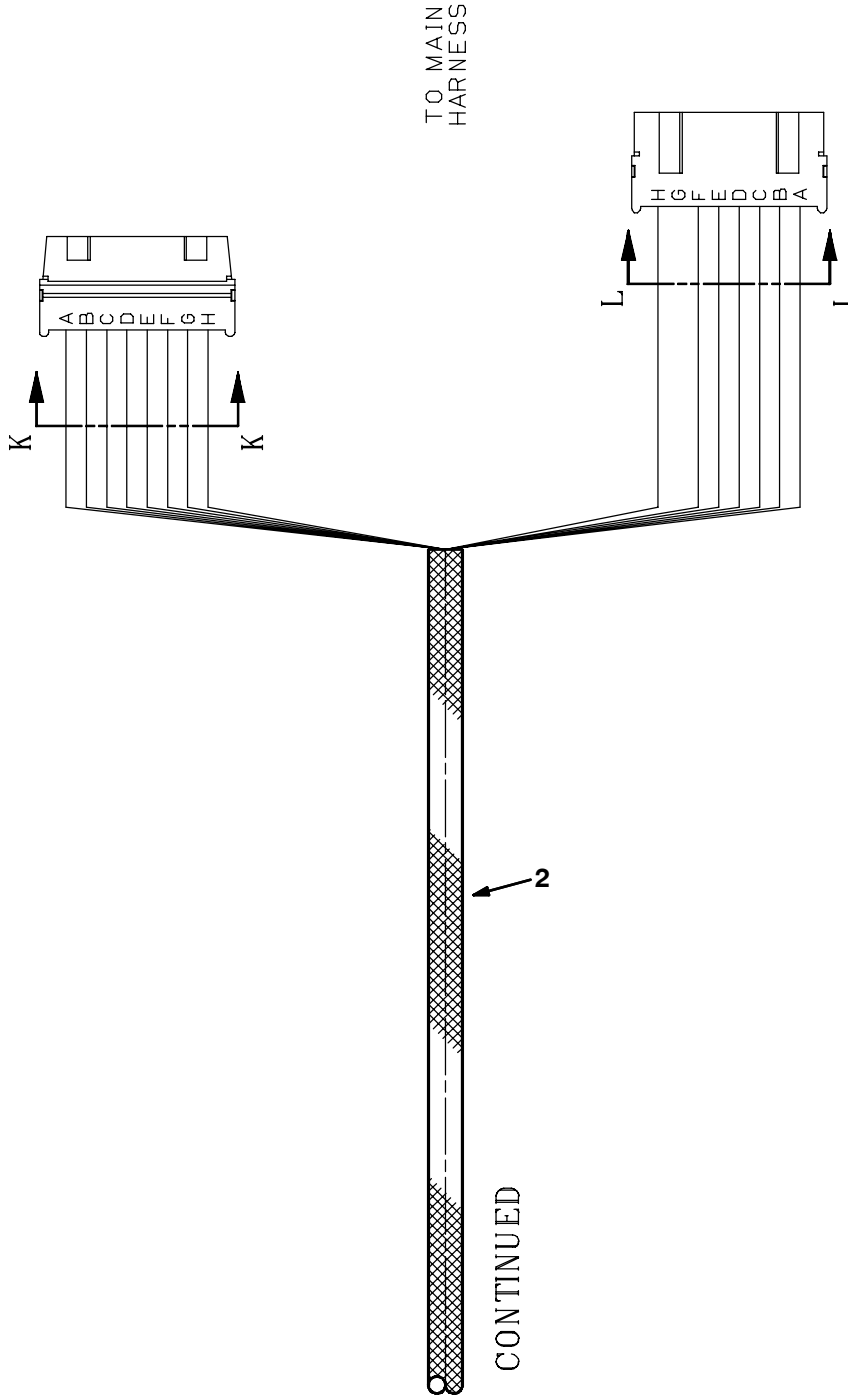
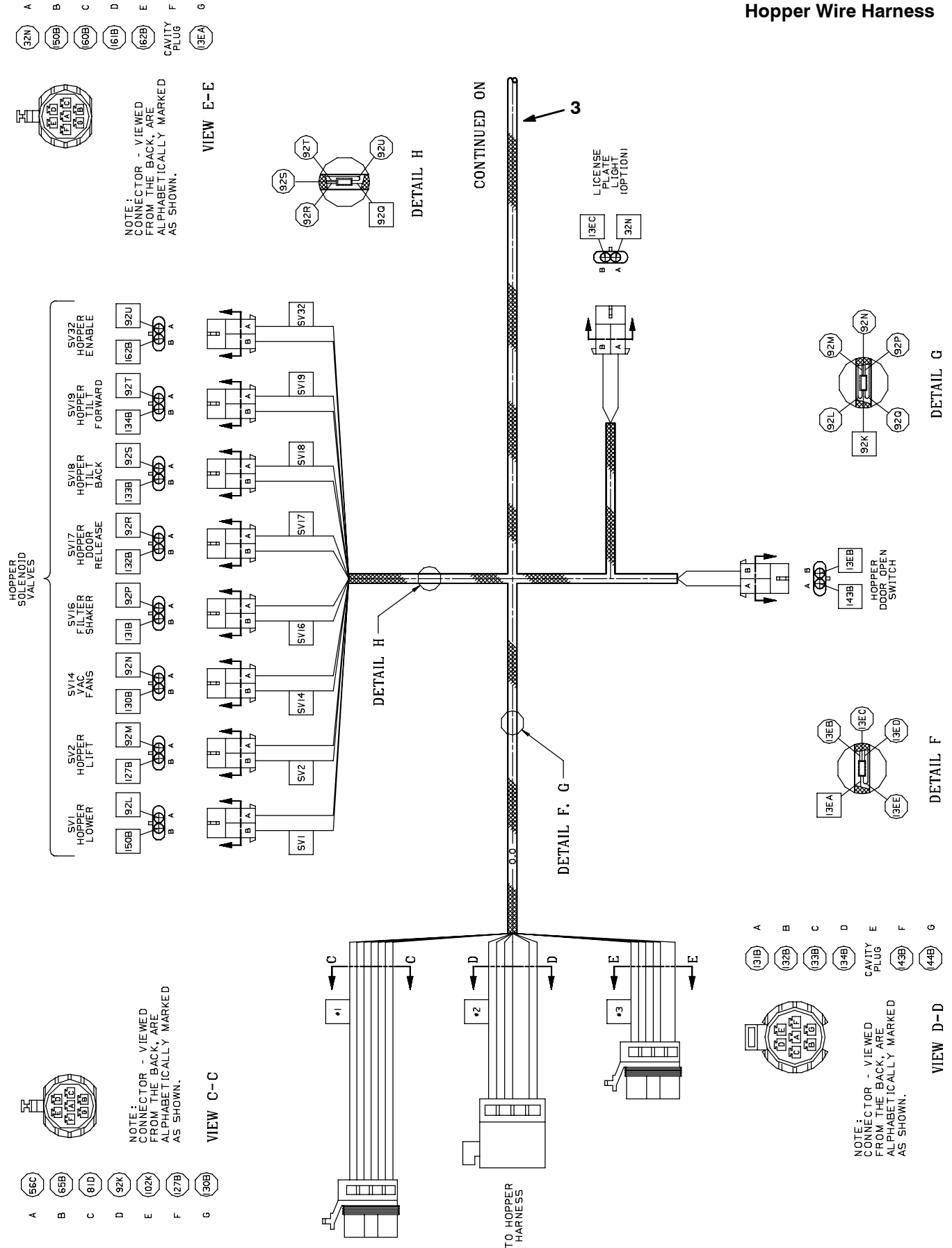


Fig. 69 - Wire Harnesses Group Group (00000-008499)

Hopper Wire Harness



- A (32N)
- B (90B)
- C (60B)
- D (61B)
- E (62B)
- F CAVITY PLUG
- G (3EA)

- HOPPER SOLENOID VALVES
- SV1 HOPPER LOWER (92L)
  - SV2 HOPPER LIFT (127B)
  - SV14 VAC FANS (130B)
  - SV16 FILTER SHAKER (131B)
  - SV17 HOPPER DOOR RELEASE (132B)
  - SV18 HOPPER MILT BACK (133B)
  - SV19 HOPPER MILT FORWARD (134B)
  - SV32 HOPPER ENABLE (162B)

- A (56C)
- B (65B)
- C (81D)
- D (92K)
- E (102K)
- F (27B)
- G (30B)

- A (131B)
- B (322B)
- C (333B)
- D (344B)
- E CAVITY PLUG
- F (43B)
- G (44B)

Fig. 69 - Wire Harnesses Group Group (00000-008499)

Hopper Wire Harness

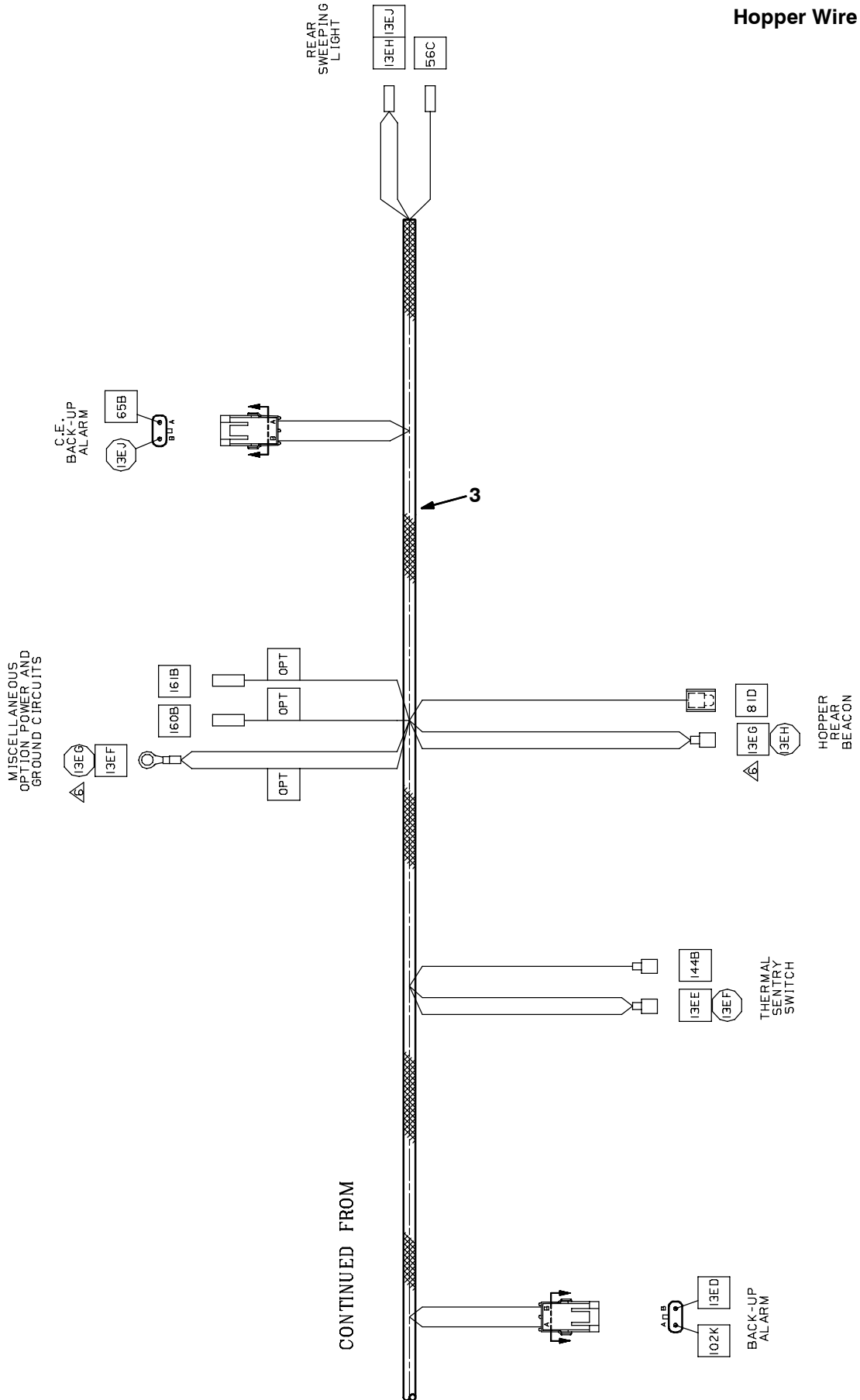
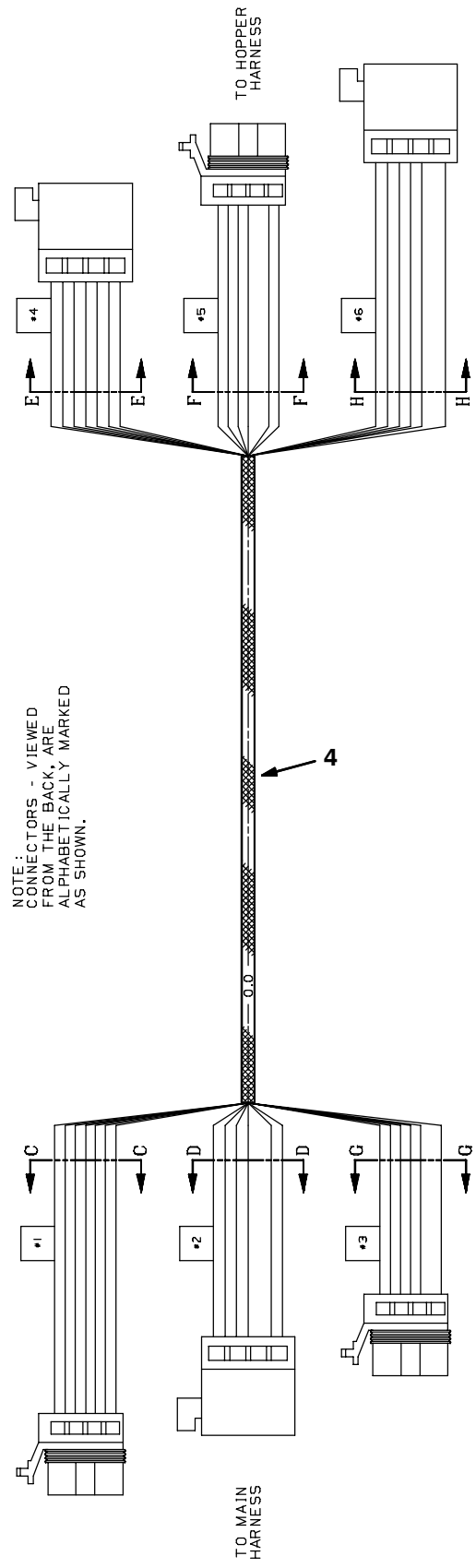
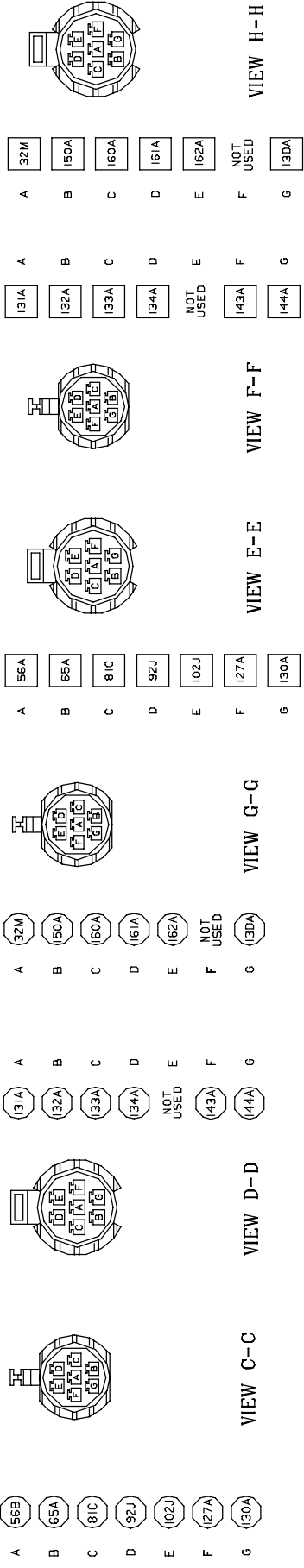


Fig. 69 - Wire Harnesses Group Group (00000-008499)

Hopper Lift Wire Harness



**Fig. 69 - Wire Harnesses Group Group (000000-008499)**

<b>Ref.</b>	<b>Part No.</b>	<b>Serial Number</b>	<b>Description</b>	<b>Qty.</b>
1	768827	(000000-008499 )	Harness, Wire, Main [Sentinel]	1
2	768561	(000000-008499 )	Harness, Wire, Cab	1
3	770180	(000000-008499 )	Harness, Wire, Hopper, [Sentinel]	1
4	768563	(000000-008499 )	Harness, Hopper Lift	1





Fig. 70 - Wire Harnesses Group (008500- )

Main Wire Harness

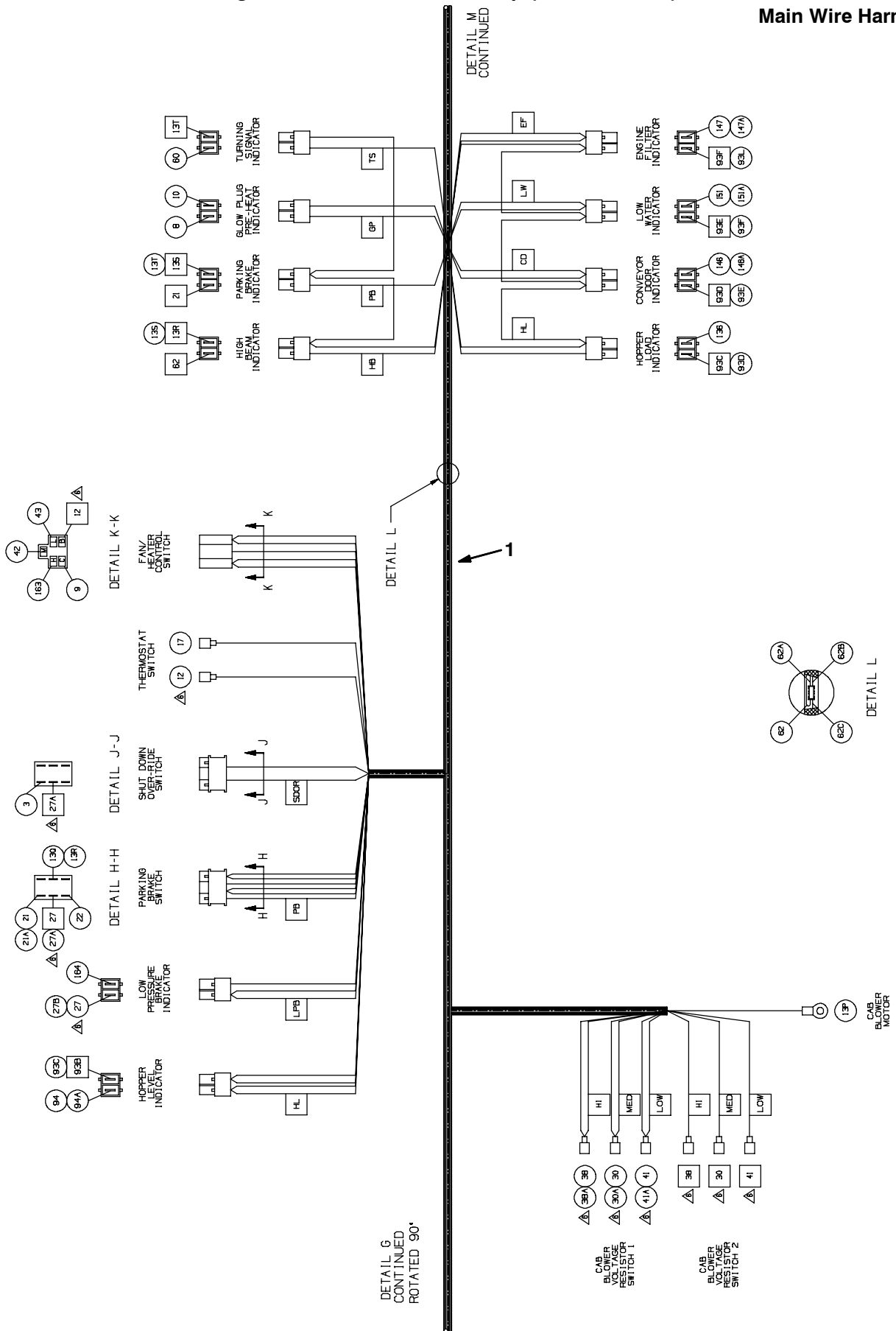
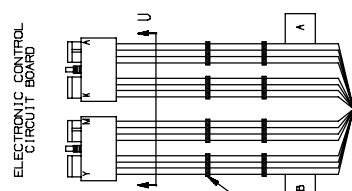
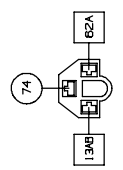
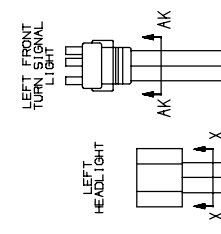
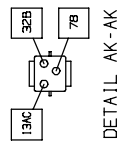


Fig. 70 - Wire Harnesses Group (008500- )

Main Wire Harness



WIRE GROUPING TO BE DETERMINED BY EITHER A LEFT HALF OR RIGHT HALF OF EITHER CONNECTORS A OR B

DETAIL U-U  
ELECTRONIC CONTROL CIRCUIT BOARD



CONNECTOR WIRING		
CONN. B	SOC. NO.	CONN. A
39	1-L	N/U
X	1-M	91
X	1-N	N/U
O	1-P	132
O	1-R	131
O	2-L	92
O	2-M	129
O	2-N	135
O	2-P	131
O	2-R	13X
O	3-L	154
O	3-M	128
O	3-N	130
O	3-P	132
O	3-R	133
X	1-S	13W
O	1-T	N/U
O	1-W	127
O	1-X	131
O	1-Y	152A
X	2-S	96
O	2-T	97
O	2-W	N/U
O	2-X	126
O	2-Y	94
X	3-S	134
O	3-T	98
O	3-W	N/U
O	3-X	133
O	3-Y	130
CAVITY PLUGS-SEE ITEM #10 & #11		

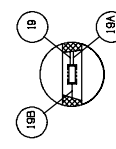
DETAIL M  
CONTINUED

DETAILS N, P, Q, R

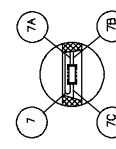
DETAIL T

DETAILS V, W

DETAIL Y-Y  
CONTINUED



DETAIL P



DETAIL N

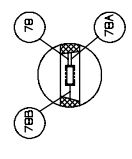
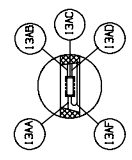
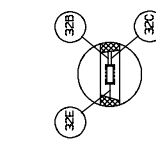
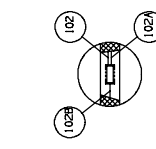
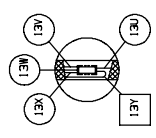


Fig. 70 - Wire Harnesses Group (008500- )

Main Wire Harness

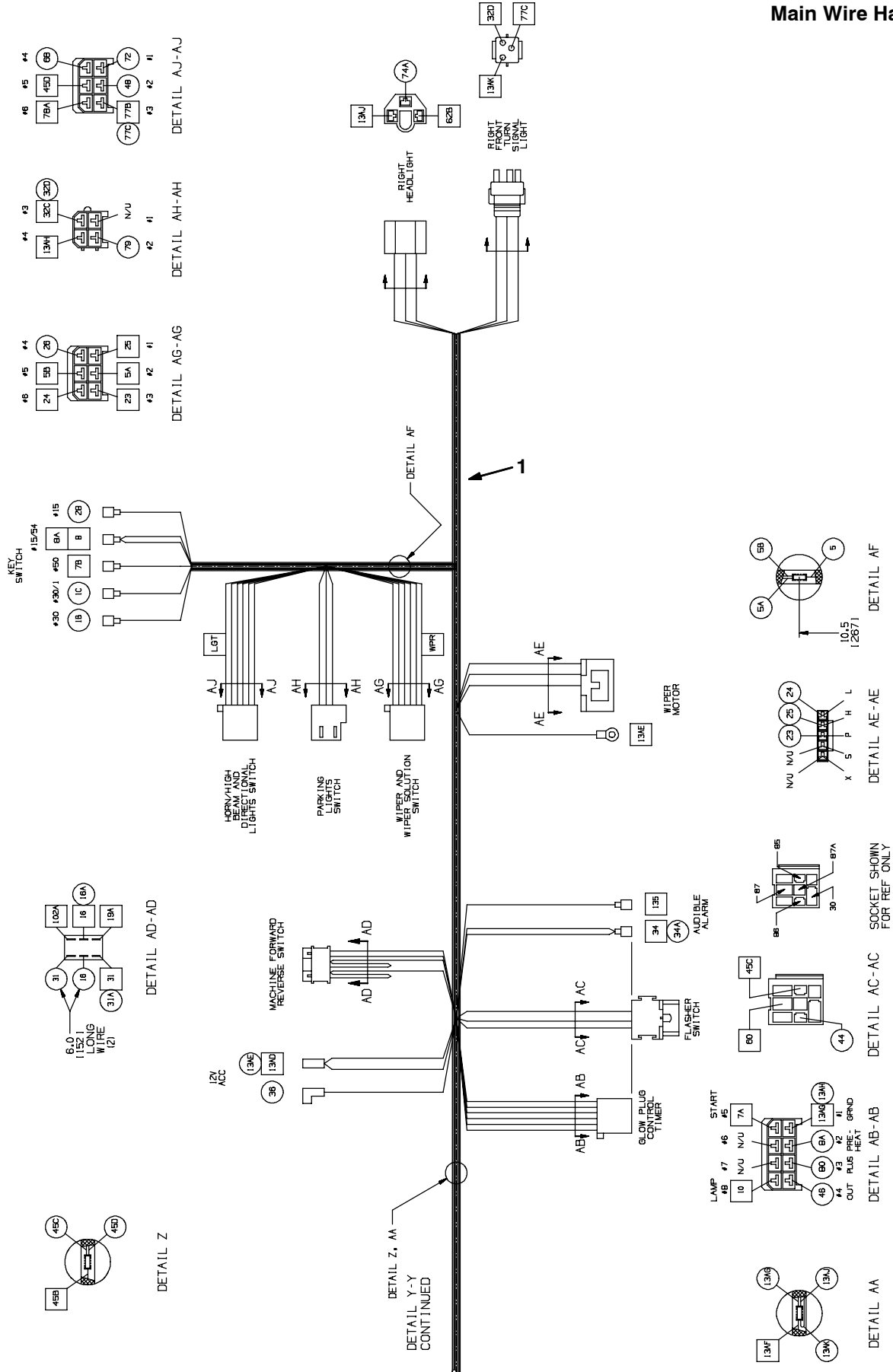


Fig. 70 - Wire Harnesses Group (008500- )

Main Wire Harness

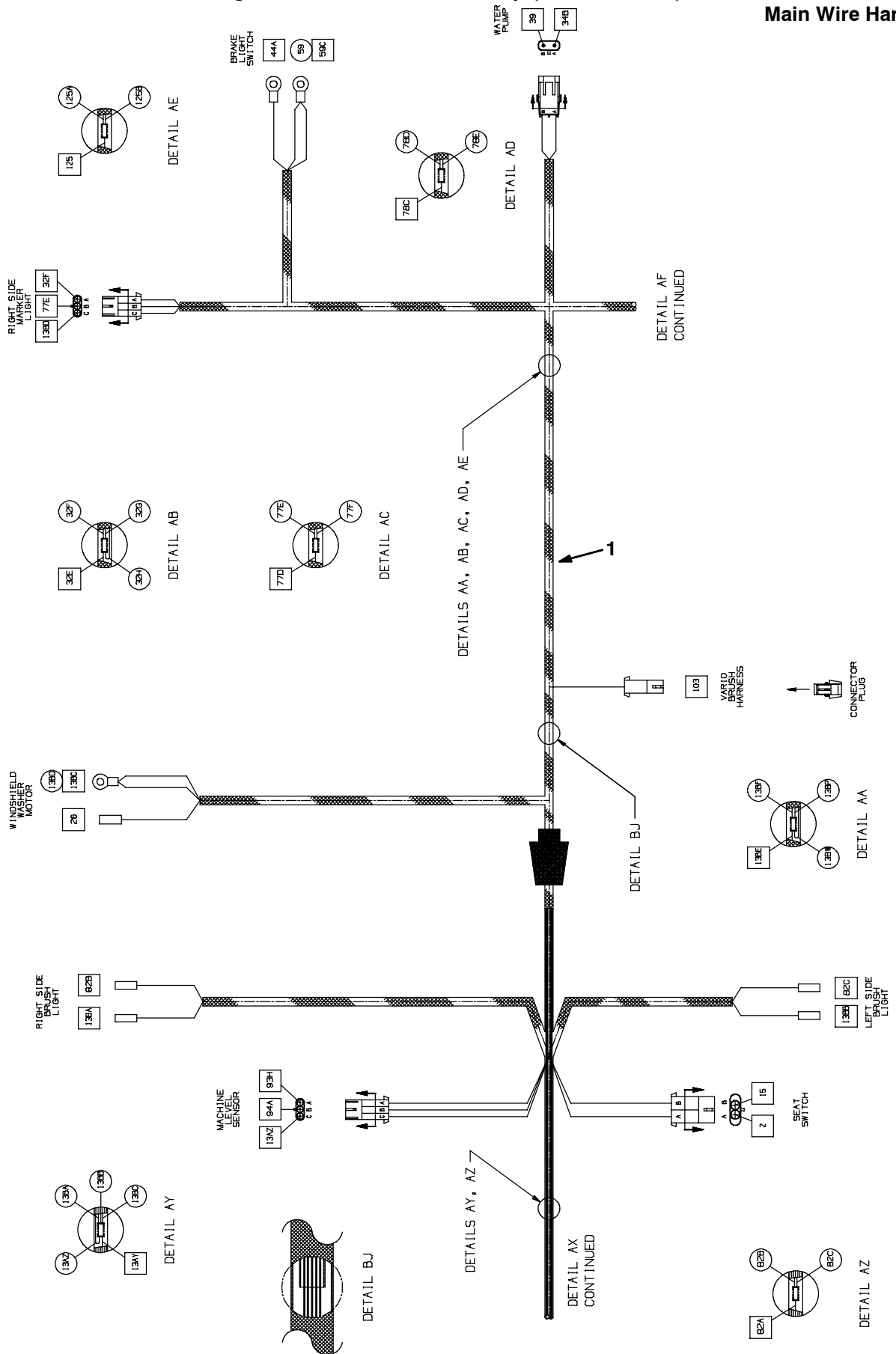










Fig. 70 - Wire Harnesses Group (008500- )

Main Wire Harness

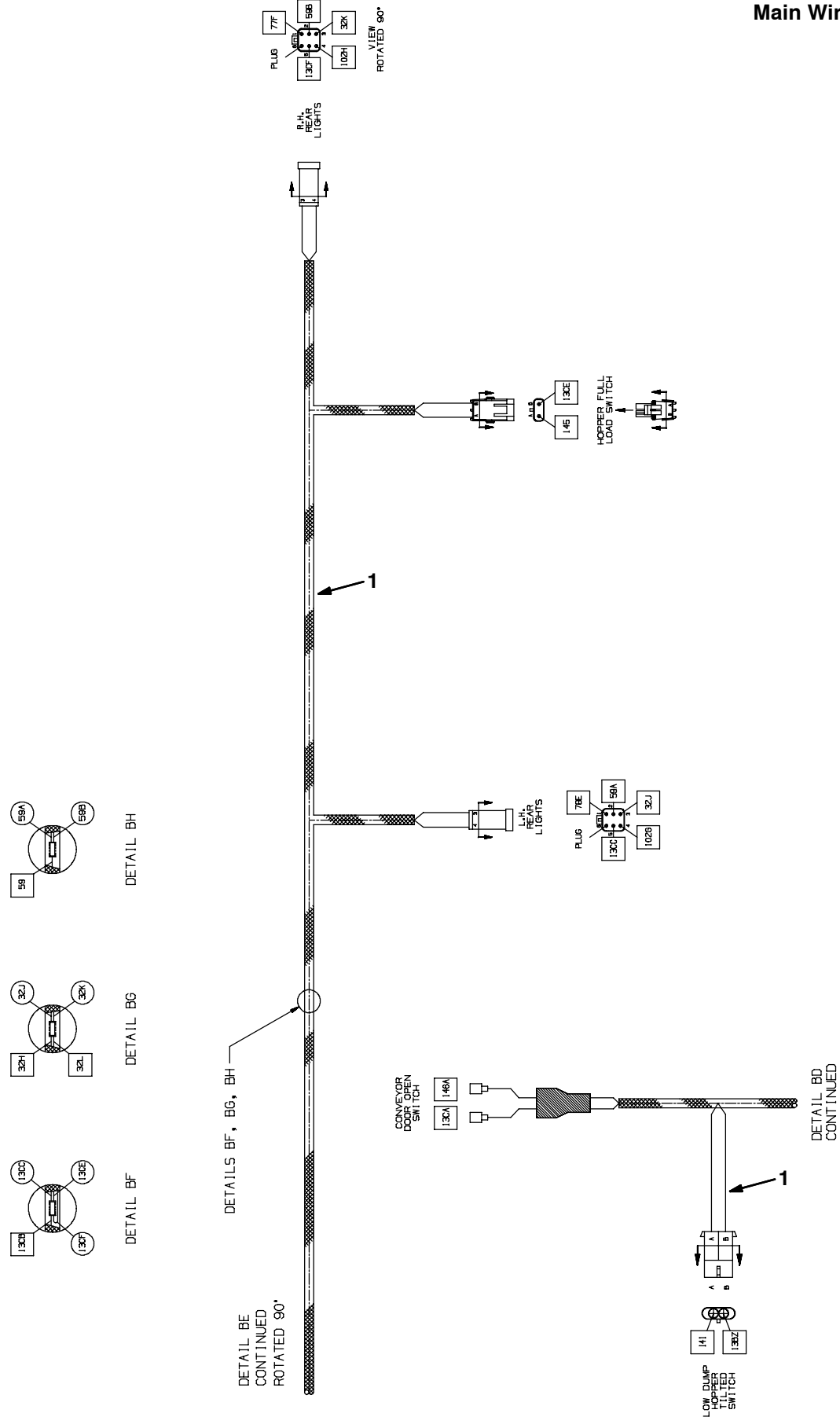
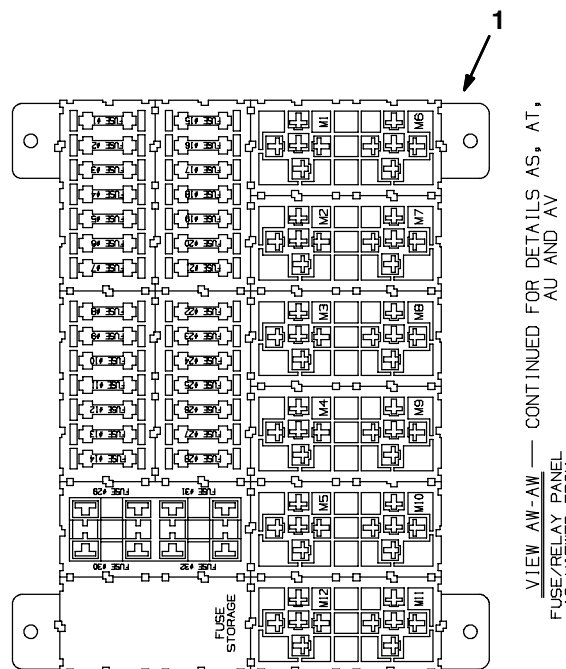
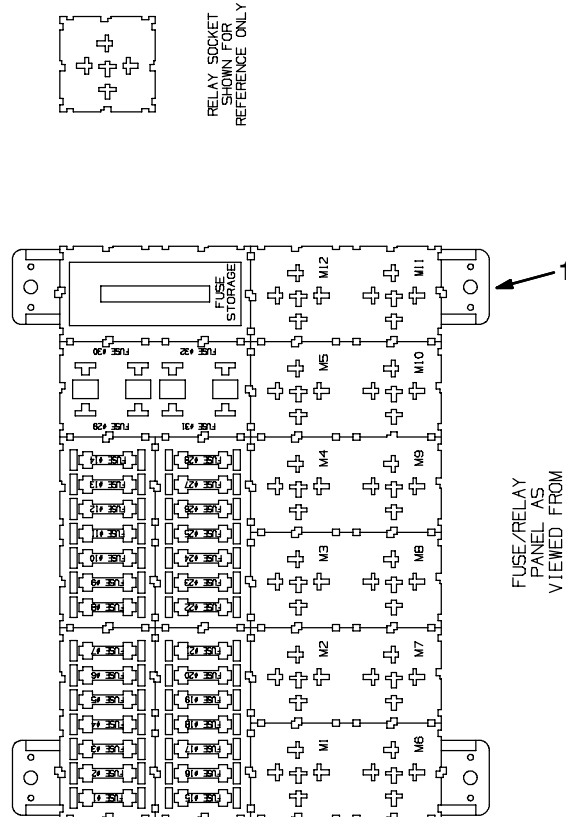


Fig. 70 - Wire Harnesses Group (008500- )

## Main Wire Harness



FUSE PANEL ASSEMBLY WIRING		TERMINAL LOADING BOTTOM HALF
TERMINAL LOADING TOP HALF		
1	IK	66
2	IP	4
3	IO	44 & O 44A
4	N/U	O
5	N/U	X
6	N/U	X
7	IM	O
8	IN	X
9	900, BUS BAR - 92769 & INSULATOR - 75942	79
10	BUS	34A & O 34B
11	BUS	36
12	10, BUS BAR - 92768 & INSULATOR - 75985	49 & O 49A
13	BUS	O
14	BUS	X
15	28A	9 & O 9A
16	90, BUS BAR - 92768 & INSULATOR - 75985	91 & O 91A
17	BUS	92 & O 92A
18	BUS	95
19	BUS	93G & O 93H
20	20 & O 20B	N/U
21	20A & O 20C	X
22	20C	N/U
23	20C	X
24	20C	O
25	28B	103
26	BUS BAR - 92768 & INSULATOR - 75942	18A
27	BUS	5
28	BUS	27F & O 27G
29	90A	33
30	IL	80
31	IR	O
32	IS	O
		55B
		54B

- ↑ 3 POSITION BUS BAR TERMINAL
- ↑ 4 POSITION BUS BAR TERMINAL
- ↑ 4 POSITION BUS BAR TERMINAL
- ↑ 3 POSITION BUS BAR TERMINAL
- ↑ MAXI-FUSE
- ↑ MAXI-FUSE
- ↑ MAXI-FUSE

Fig. 70 - Wire Harnesses Group (008500- )

Main Wire Harness

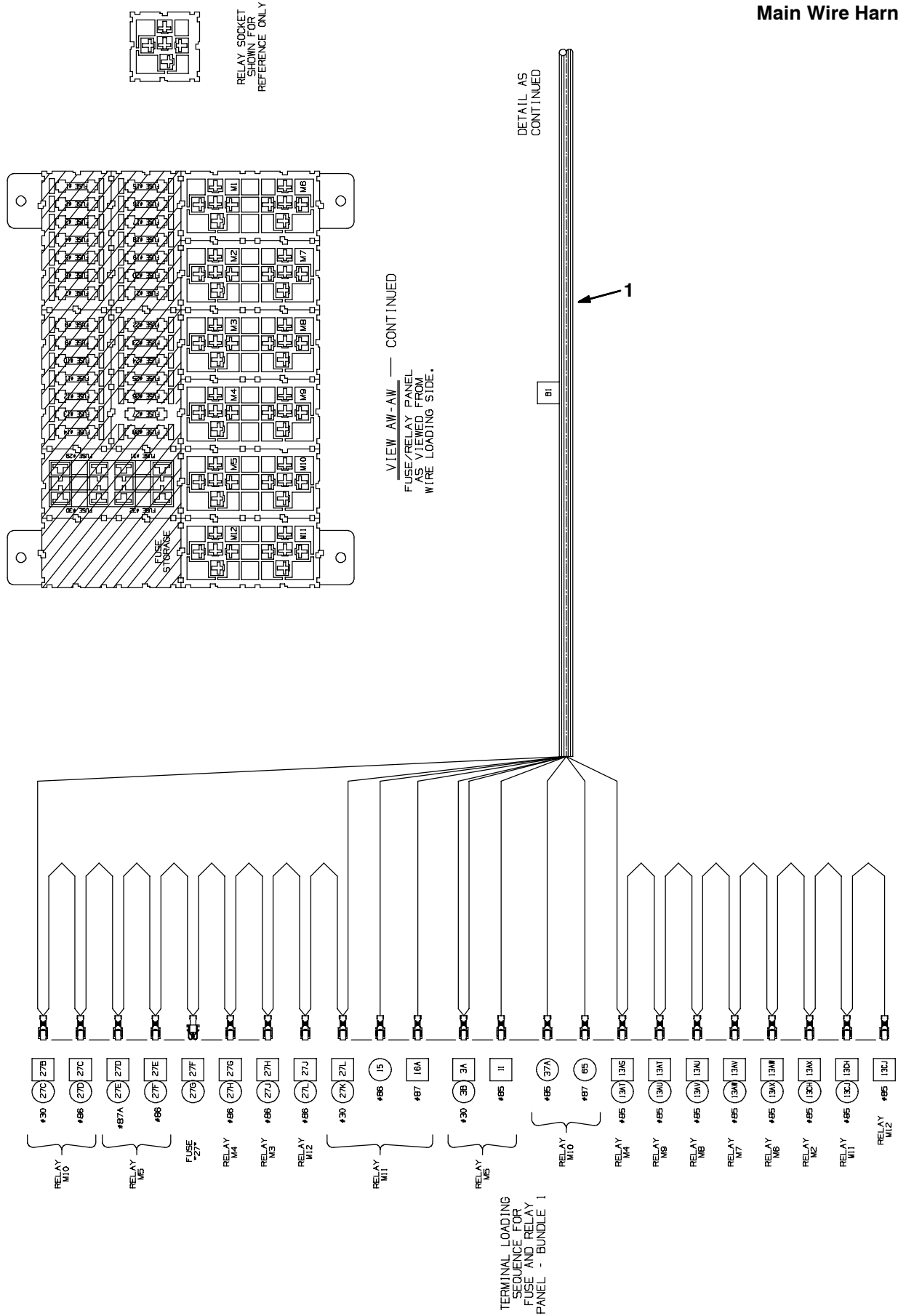


Fig. 70 - Wire Harnesses Group (008500- )

Main Wire Harness

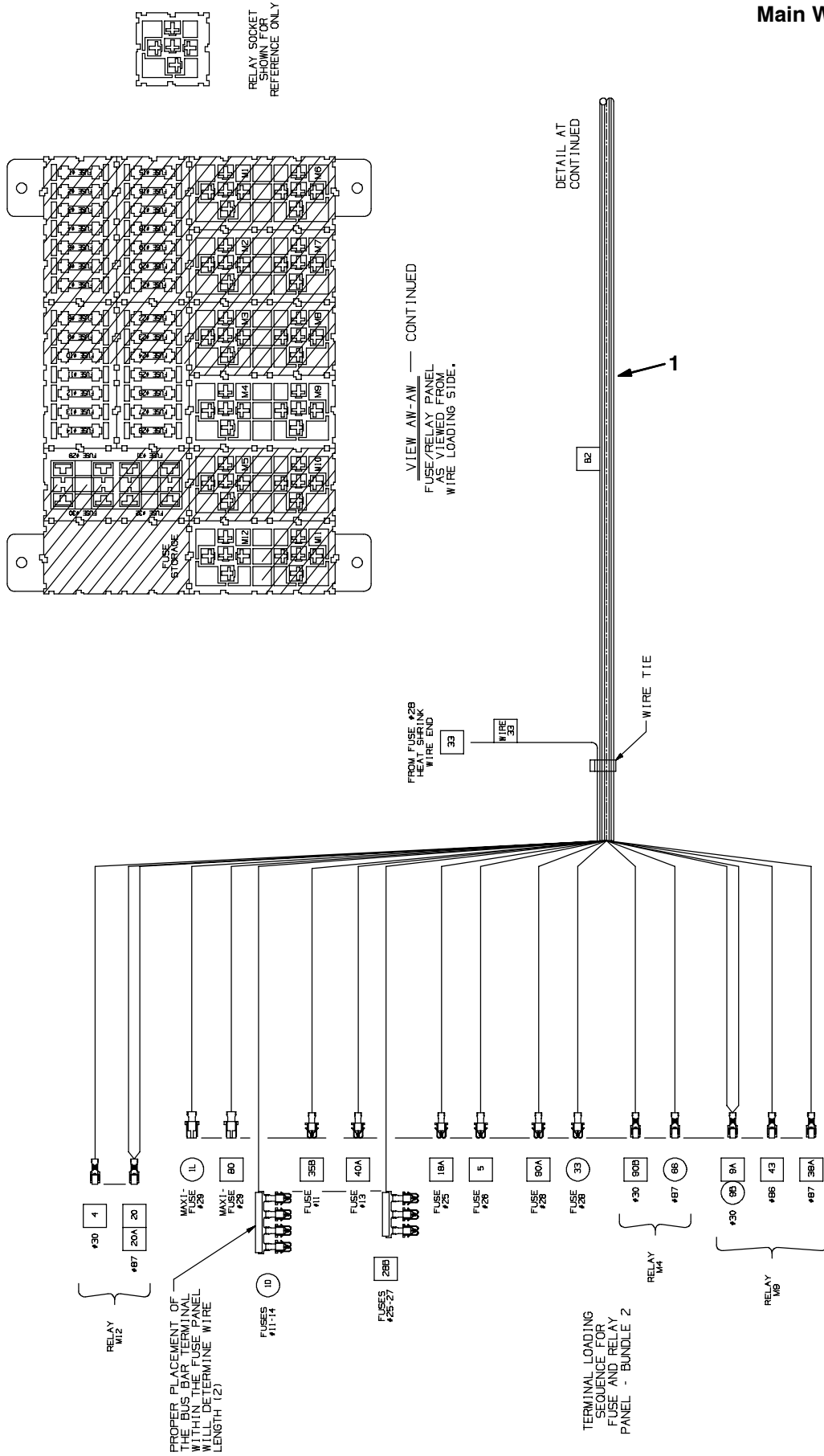


Fig. 70 - Wire Harnesses Group (008500- )

Main Wire Harness

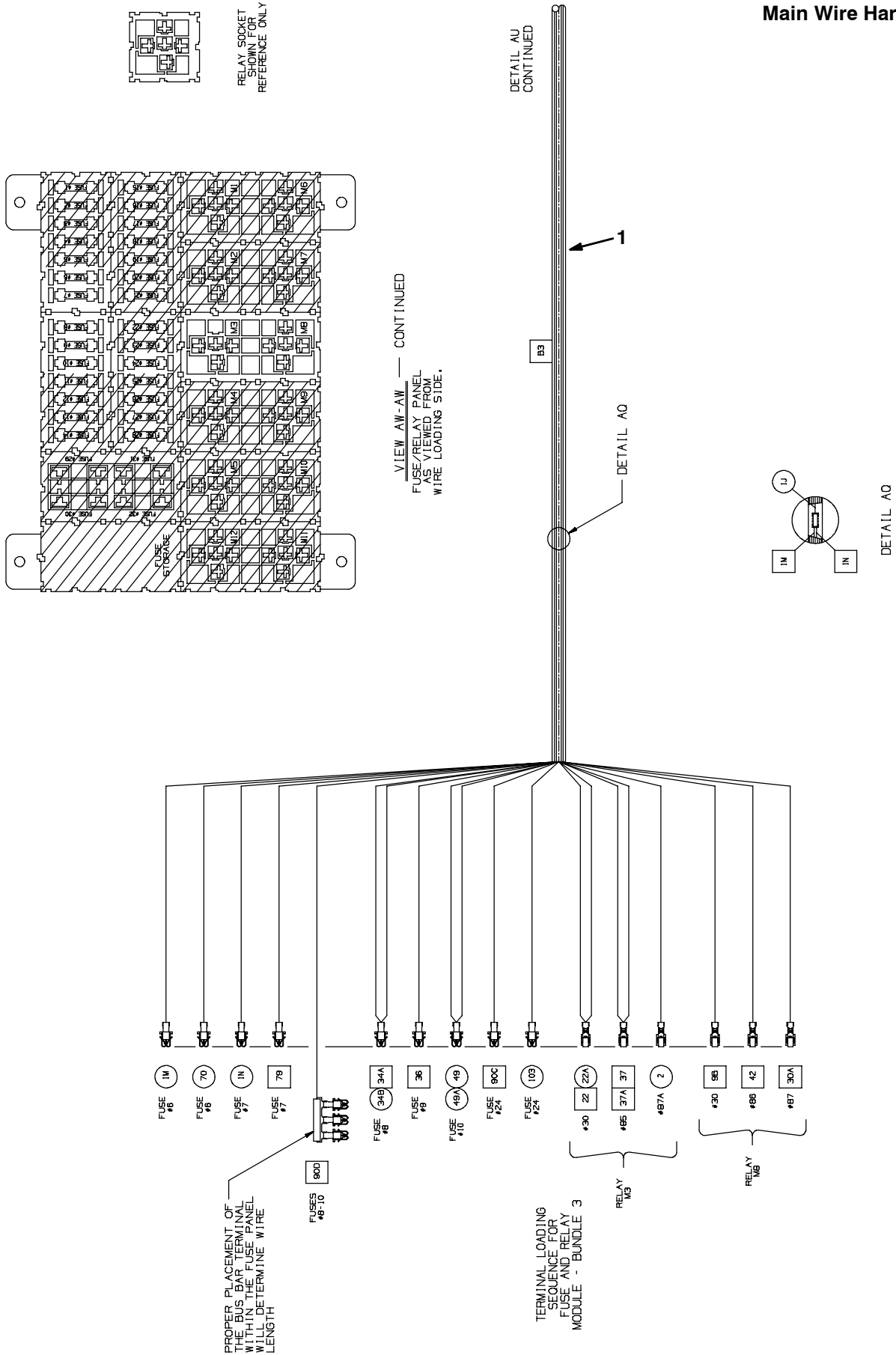


Fig. 70 - Wire Harnesses Group (008500- )

Main Wire Harness

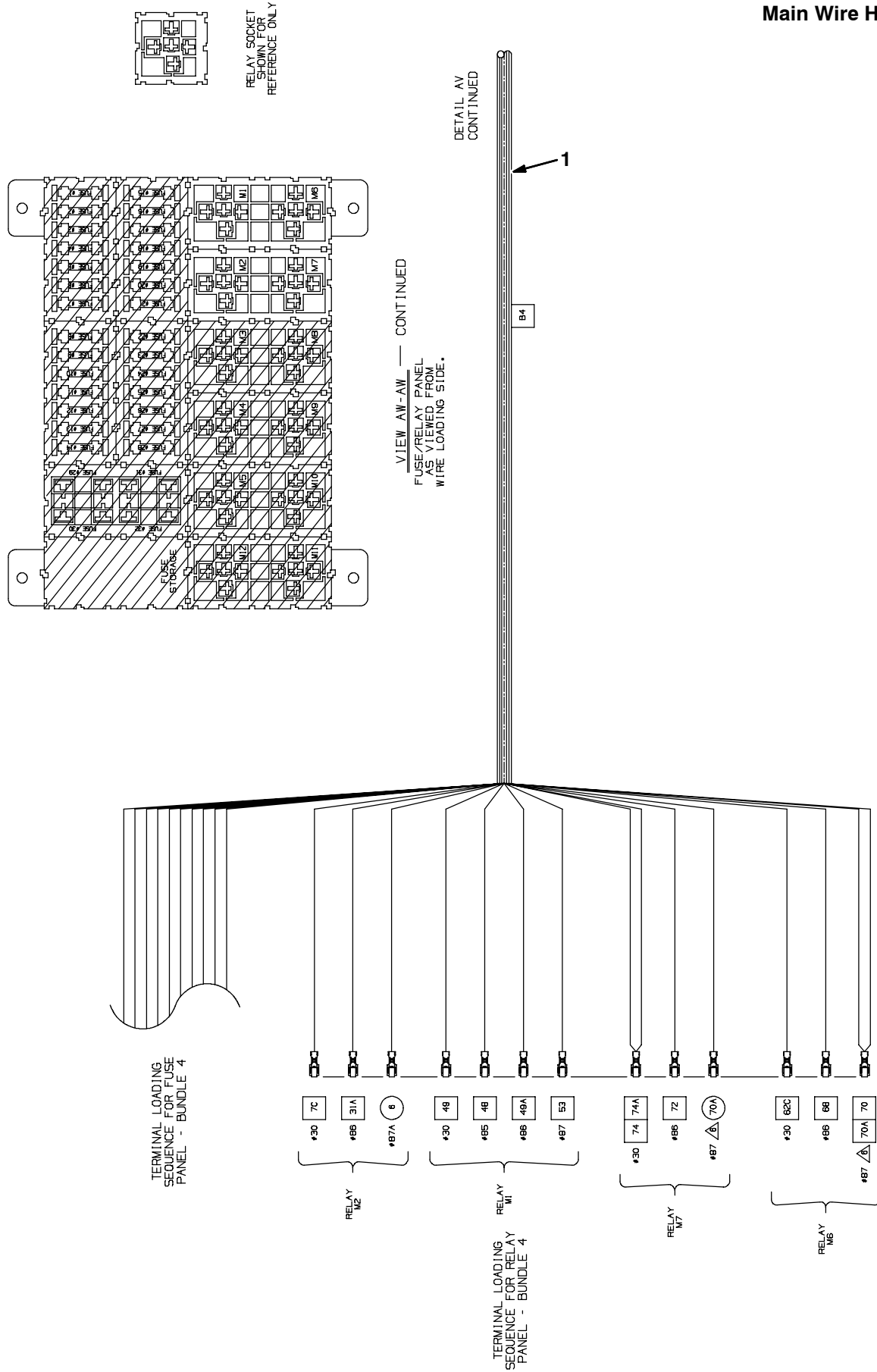


Fig. 70 - Wire Harnesses Group (008500- )

Main Wire Harness

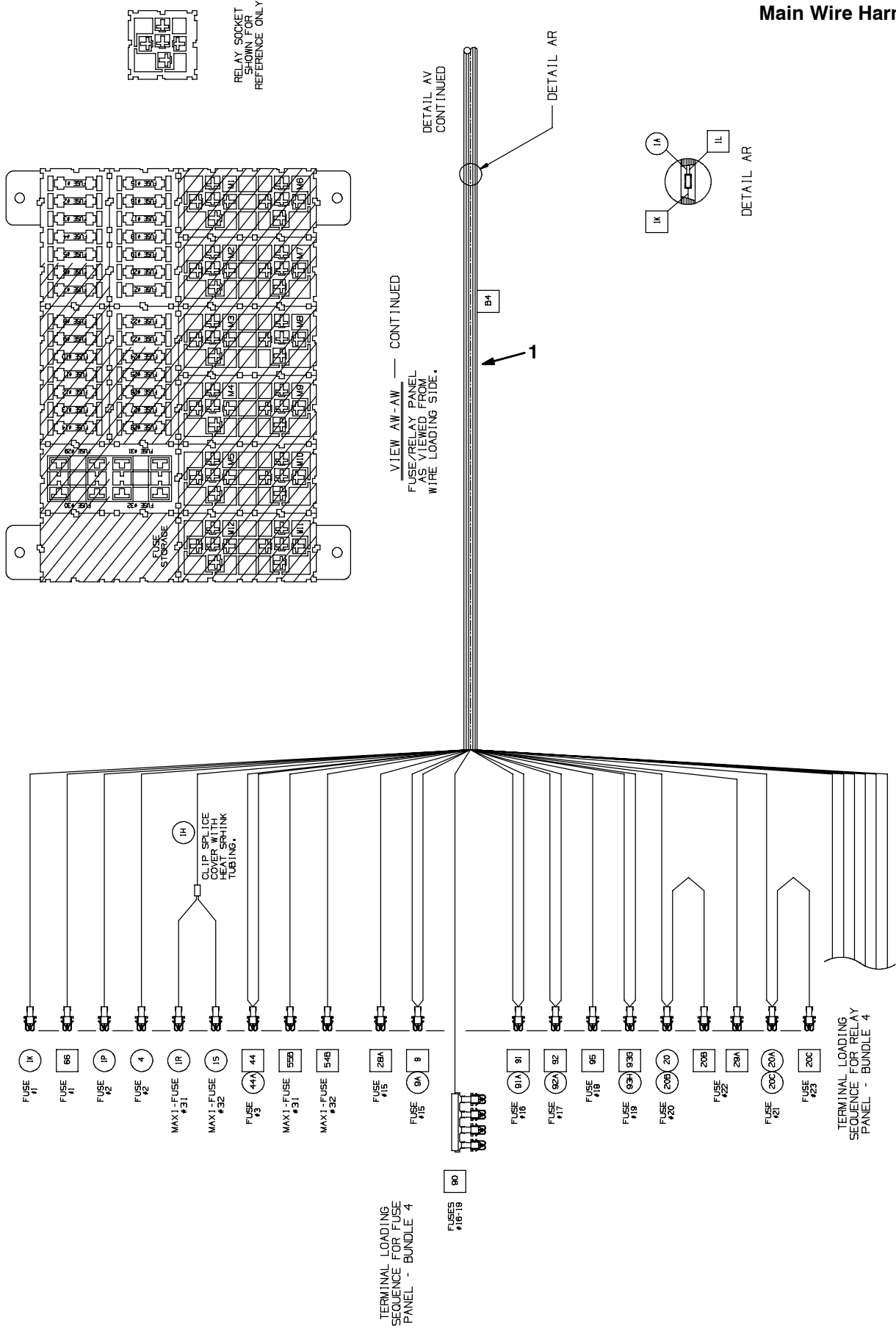


Fig. 70 - Wire Harnesses Group (008500- )

Cab Wire Harness

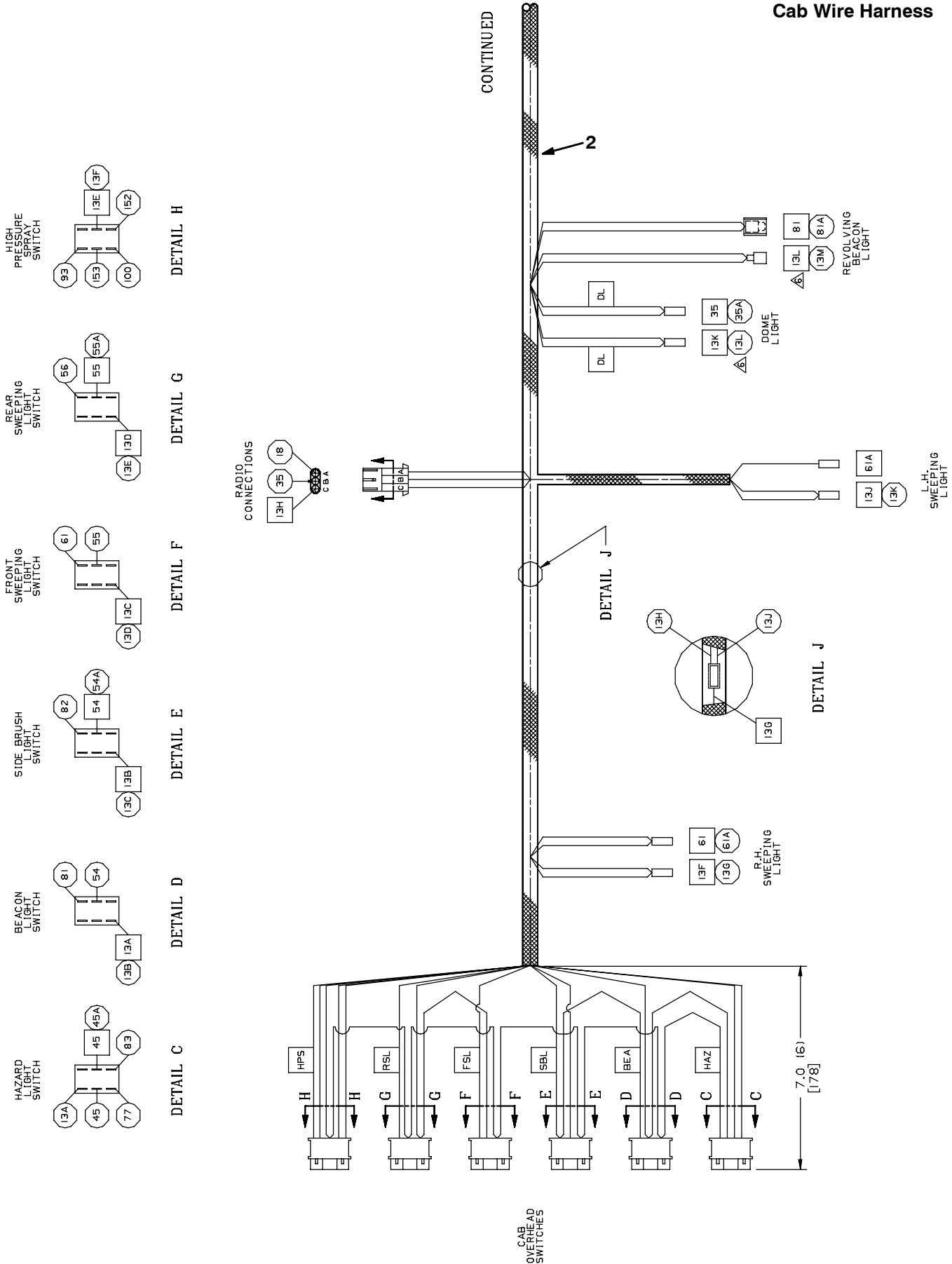
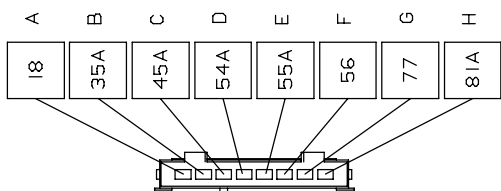


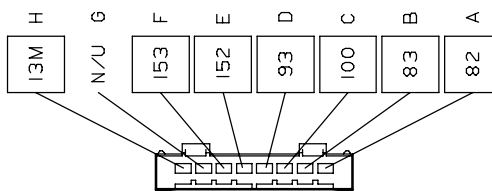


Fig. 70 - Wire Harnesses Group (008500- )

Cab Wire Harness



VIEW K-K



VIEW L-L

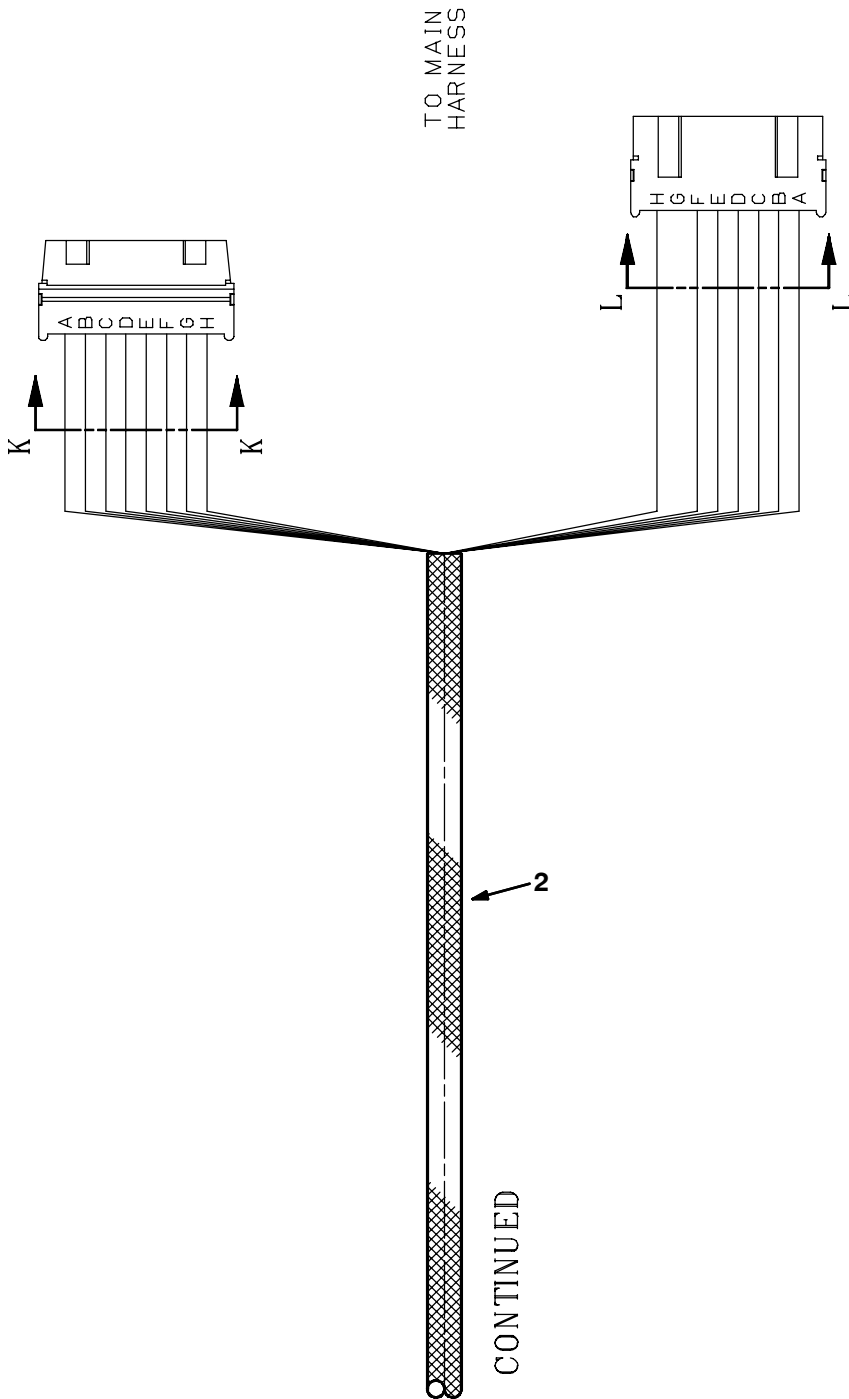
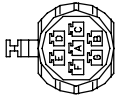


Fig. 70 - Wire Harnesses Group (008500- )

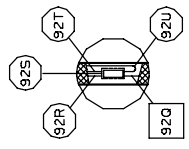
## Hopper Wire Harness

- A (32N)
- B (50B)
- C (60B)
- D (61B)
- E (62B)
- F CAVITY PLUG
- G (3EA)



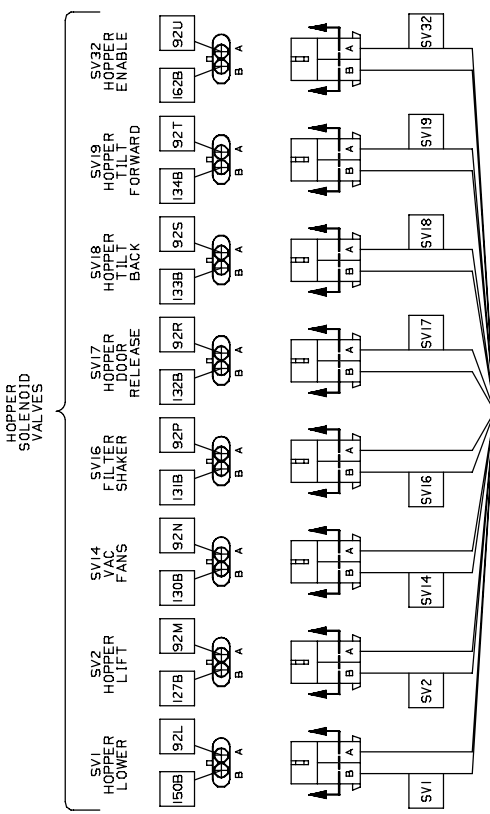
NOTE: CONNECTOR - VIEWED FROM THE BACK, ARE ALPHABETICALLY MARKED AS SHOWN.

VIEW E-E



DETAIL H

CONTINUED ON



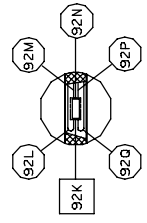
HOPPER SOLENOID VALVES

DETAIL H

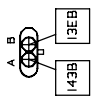
DETAIL F. G



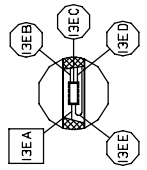
LICENSE PLATE LIGHT (OPTION)



DETAIL G

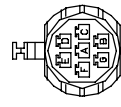


HOPPER DOOR OPEN SWITCH



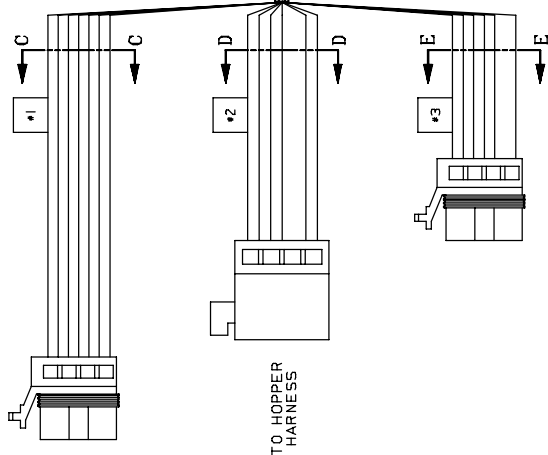
DETAIL F

- A (56C)
- B (65B)
- C (81D)
- D (92K)
- E (102K)
- F (127B)
- G (30B)



NOTE: CONNECTOR - VIEWED FROM THE BACK, ARE ALPHABETICALLY MARKED AS SHOWN.

VIEW C-C



TO HOPPER HARNESS

- A (13B)
- B (32B)
- C (33B)
- D (34B)
- E CAVITY PLUG
- F (43B)
- G (44B)



NOTE: CONNECTOR - VIEWED FROM THE BACK, ARE ALPHABETICALLY MARKED AS SHOWN.

VIEW D-D

Fig. 70 - Wire Harnesses Group (008500- )

Hopper Wire Harness

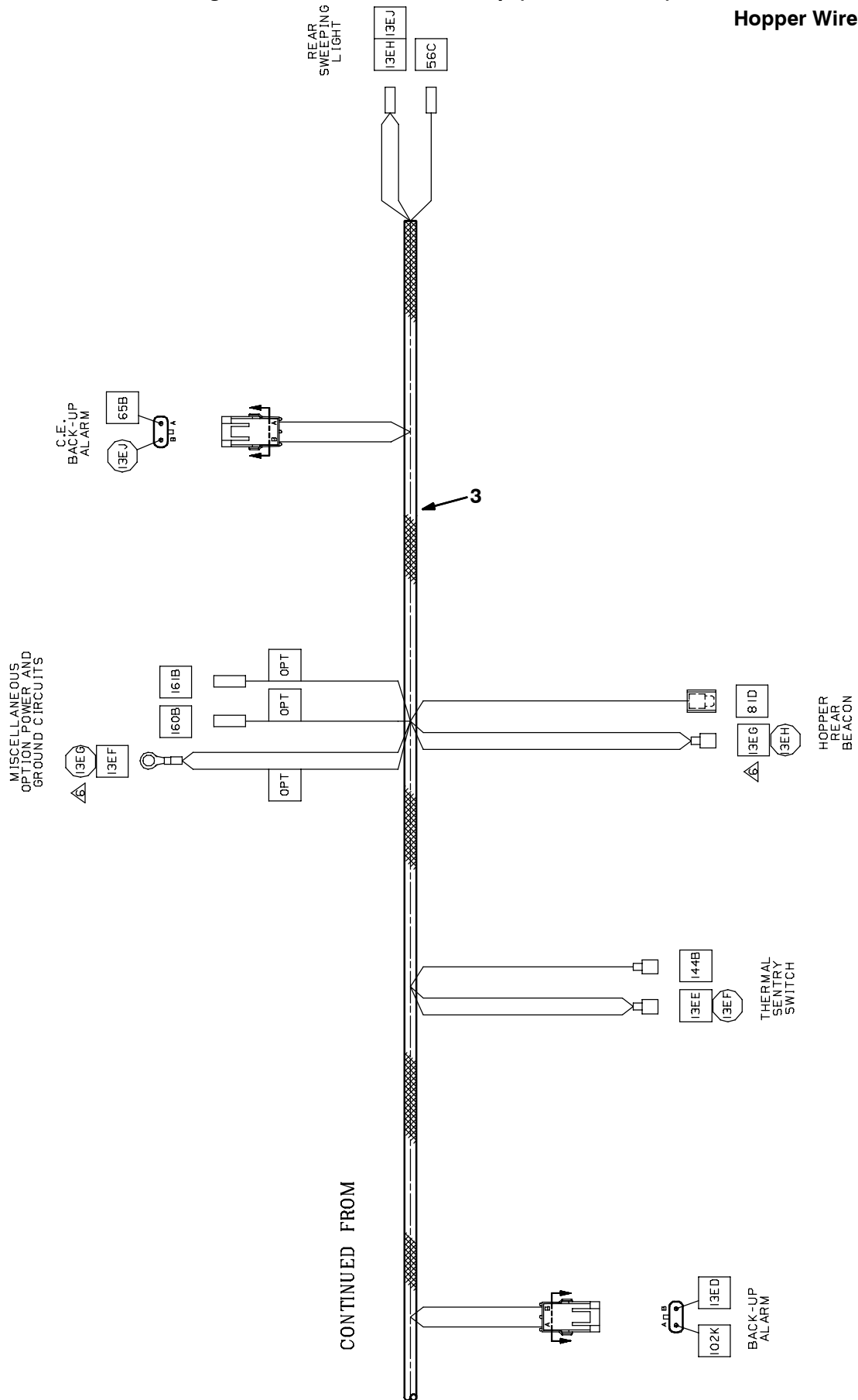
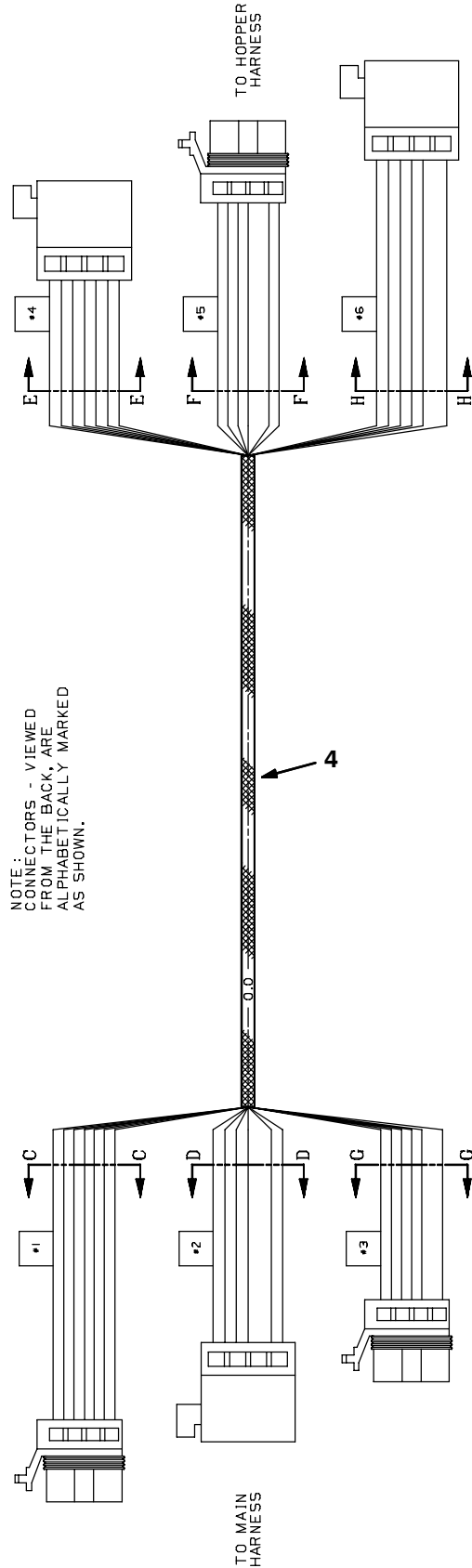
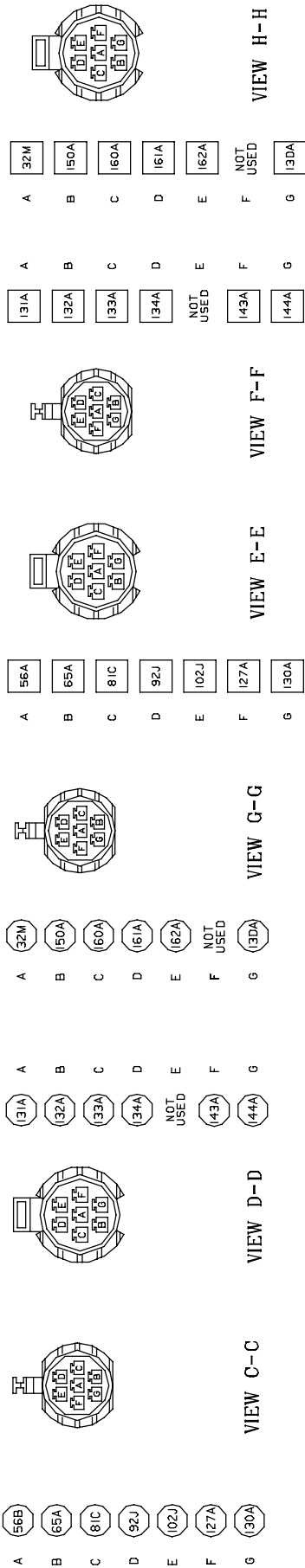


Fig. 70 - Wire Harnesses Group (008500- )

Hopper Lift Wire Harness

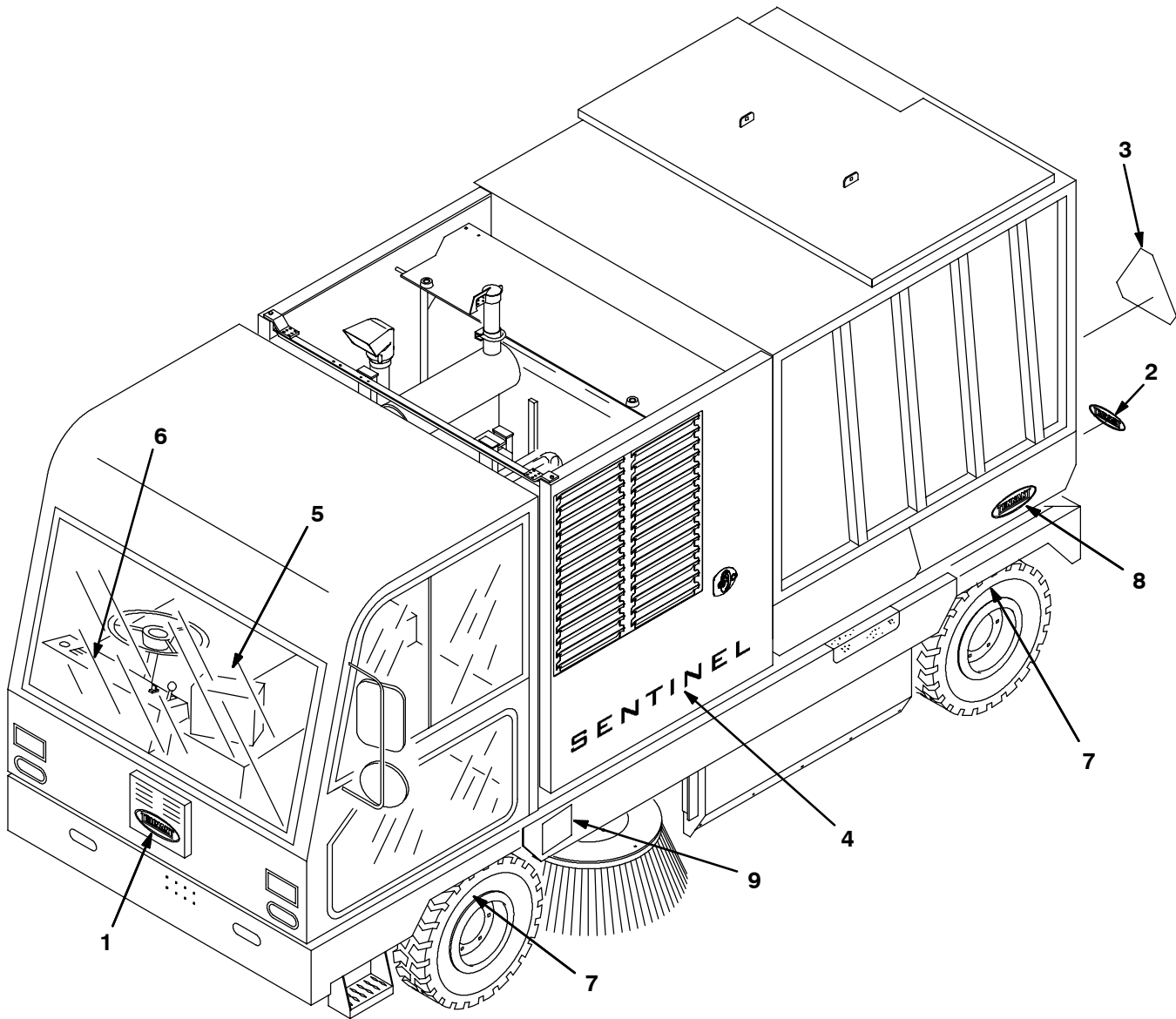


NOTE: CONNECTORS - VIEWED FROM THE BACK, ARE ALPHABETICALLY MARKED AS SHOWN.

Fig. 70 - Wire Harnesses Group (008500- )

Ref.	Part No.	Serial Number	Description	Qty.
1	1047567	(008500-	) Harness, Main [Sentinel 08]	1
2	768561	(008500-	) Harness, Wire, Cab	1
3	770180	(008500-	) Harness, Wire, Hopper, [Sentinel]	1
4	768563	(008500-	) Harness, Hopper Lift	1

**Fig. 71 - Labels Group**



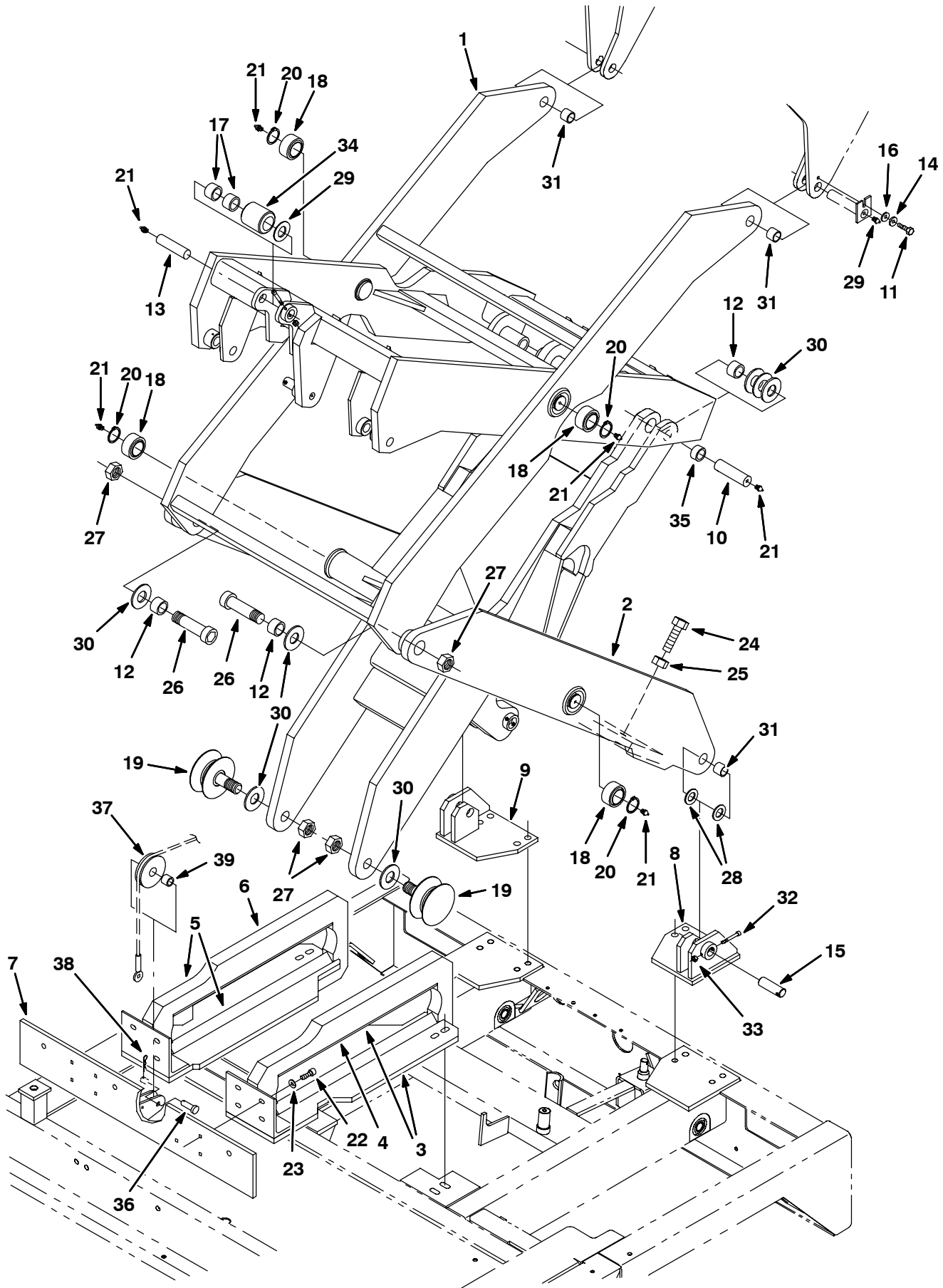
354168

Ref.	Part No.	Serial Number	Description	Qty.
1	09901	(000000- )	Label, Tennant Logo	1
2	17200	(000000- )	Label, Tennant Logo- 10.0 Blue	1
3	760980	(000000- )	Label, Slow Moving Vehicle	1
4	1010326	(000000- )	Label [Sentinel]	2
5	765960	(000000- )	Label, Set, Info & Hazard	1
6	1047569	(000000- )	Label Set, Opertnl [Sentinel 2008]	1
7	760983	(000000- )	Label, Info, [Tire Pressure]	4
8	09905	(000000- )	Label, Tennant Logo	2
9	1009154	(000000- )	Label, Instr, Tilt, Cab	1

# SECTION 3

<b>Contents</b>	<b>Page</b>
Fig. 1 - High Dump Hopper Lift Group .....	3-2
Fig. 2 - High Dump Hopper Lift Cylinders Group	3-4
Fig. 3 - High Dump Hopper Hydraulic Hose Group	3-6
Fig. 4 - Left Side Brush Group .....	3-8
Fig. 5 - Left Side Brush Hydraulic Hose Group	3-10
Fig. 6 - Vario Brush Dolly Group .....	3-12
Fig. 7 - Vario Brush Dolly Hydraulics Group ..	3-14
Fig. 8 - Vario Brush Pivot Group .....	3-16
Fig. 9 - Vario Brush Lift Group .....	3-18
Fig. 10 - Vario Brush Motor Group .....	3-20
Fig. 11 - Vario Brush Cab Controls and Water Supply Group .....	3-22
Fig. 12 - Vario Brush Hydraulic Hose Group ..	3-24
Fig. 13 - Vario Brush Harnesses Group .....	3-26
Fig. 14 - High Pressure Sprayer Wand Group .	3-30
Fig. 15 - High Pressure Sprayer Pump Group .	3-32
Fig. 16 - High Pressure Sprayer Hydraulic Hose Group .....	3-34
Fig. 17 - Cab Jack Kit .....	3-36
Fig. 18 - Left Hand Operator Group .....	3-38
Fig. 19 - Hydraulic Hose Group, Left Hand Steering .....	3-40
Fig. 20 - Cab Air Conditioner Heater Group ...	3-42
Fig. 21 - Vacuum Wand Group .....	3-44
Fig. 22 - Vacuum Wand Door Group .....	3-46
Fig. 23 - Vacuum Wand Extension Group ....	3-48
Fig. 24 - Hopper Cleanout Tool Kit .....	3-50
Fig. 25 - Foam Filled Tire Group .....	3-51
Fig. 26 - Protectoseal Fuel Cap Group .....	3-52
Fig. 27 - Rear Rubber Bumper Kit .....	3-53
Fig. 28 - Fire Extinguisher Group .....	3-54
Fig. 29 - Filter Bag Lift Kit .....	3-55
Fig. 30 - Hydrant Wash Down Group .....	3-56
Fig. 31 - Hydrant Hose Group .....	3-57
Fig. 32 - Engine Access Step Kit .....	3-58
Fig. 33 - Light Kit, Night .....	3-59
Fig. 34 - Light Kit, Revolving .....	3-60
Fig. 35 - Light Kit, Strobe .....	3-62
Fig. 36 - Light Kit, Arrow Stick, Without Revolving Light .....	3-64
Fig. 37 - Light Kit, Arrow Stick, With Revolving Light .....	3-66
Fig. 38 - Passenger Seat Kit .....	3-68
Fig. 39 - Radio Kit .....	3-70
Fig. 40 - Auto-Lube System Group .....	3-72
Fig. 41 - Auto-Lube Pump Kit .....	3-74
Fig. 42 - Side Brush Spring Kit .....	3-75
Fig. 43 - Side Brush Linkage Kit .....	3-76
Fig. 44 - Side Brush Fourth Bar Linkage Kit ...	3-77
Fig. 45 - Documentation Group .....	3-78

Fig. 1 - High Dump Hopper Lift Group





**Fig. 1 - High Dump Hopper Lift Group**

Ref.	Part No.	Serial Number	Description	Qty.
	1	769547	(000000- ) Leg Assy, Upper W/Label	1
	2	769548	(000000- ) Leg Assy, Lower W/Label	1
▽	3	769503	(000000- ) Guide,Cam Roller,Lh	1
▲	4	765435	(000000- ) Guide,Cam Roller,Up	1
▽	5	769504	(000000- ) Guide,Cam Roller,Rh	1
▲	6	765435	(000000- ) Guide,Cam Roller,Up	1
	7	765465	(000000- ) Plate Wldt, Brush, Pulley	1
	8	765620	(000000- ) Mount,Frame,Rear Lh	1
	9	765621	(000000- ) Mount,Frame,Rear Rh	1
▽		769509	(000000- ) Pin Assy,Leg,Inside	2
▲	10	769510	(000000- ) Pin, Leg, Inside	2
	11	06961	(000000- ) Screw, Hex, M10 X 1.5 X 20, 8.8	2
	12	769522	(000000- ) Bushing, Sleeve, 30mmb 40mmd 25mml, Bnz	4
▽		769511	(000000- ) Pin Assy, Roller, Hpr	1
▲	13	769512	(000000- ) Pin, Roller,Hopper	1
	14	32988	(000000- ) Washer, Lock, Int, .38	1
▽		769513	(000000- ) Pin Assy,Leg,Outsid	2
▲	15	769514	(000000- ) Pin, Leg, Outside	2
	16	32492	(000000- ) Washer, Flat, 0.38 Std	2
	17	769522	(000000- ) Bushing	2
	18	769524	(000000- ) Bearing, Spherical	4
	19	769528	(000000- ) Follower, Cam	2
	20	769529	(000000- ) Ring, Retaining	4
	21	769534	(000000- ) Ftg, Nipple, Grease	6
	22	39283	(000000- ) Screw, Hex, M10 X 1.5 X 25, 8.8	12
	23	41187	(000000- ) Washer, Belleville, M10	12
	24	06992	(000000- ) Screw, Hex, M20 X 2.5 X 50, 8.8	2
	25	763067	(000000- ) Nut, Hex, Jam M20 X 2.5	2
	26	769541	(000000- ) Screw	2
	27	769542	(000000- ) Nut, Lock, Ny	4
	28	769554	(000000- ) Washer	4
	29	47801	(000000- ) Fitting, Grease, Str Pm04 .63l	2
	30	769545	(000000- ) Washer, Flat	7
	31	769523	(000000- ) Bushing, Sleeve	4
	32	09294	(000000- ) Screw, Soc, M 8 X 1.25 X 60, 12.9	3
	33	08709	(000000- ) Nut, Hex, Lock, M 8 X 1.25 NI	3
	34	769549	(000000- ) Roller, Hopper	1
	35	769563	(000000- ) Bushing	2
	36	760917	(000000- ) Pin, Clevis, Lift, Brush	1
	37	760916	(000000- ) Pulley, Cable, 123mm Dia	1
	38	02942	(000000- ) Pin, Hair Cotter, 0.62 D .120 Wir	1
	39	763118	(000000- ) Bushing, Sleeve	1

Fig. 2 - High Dump Hopper Lift Cylinders Group

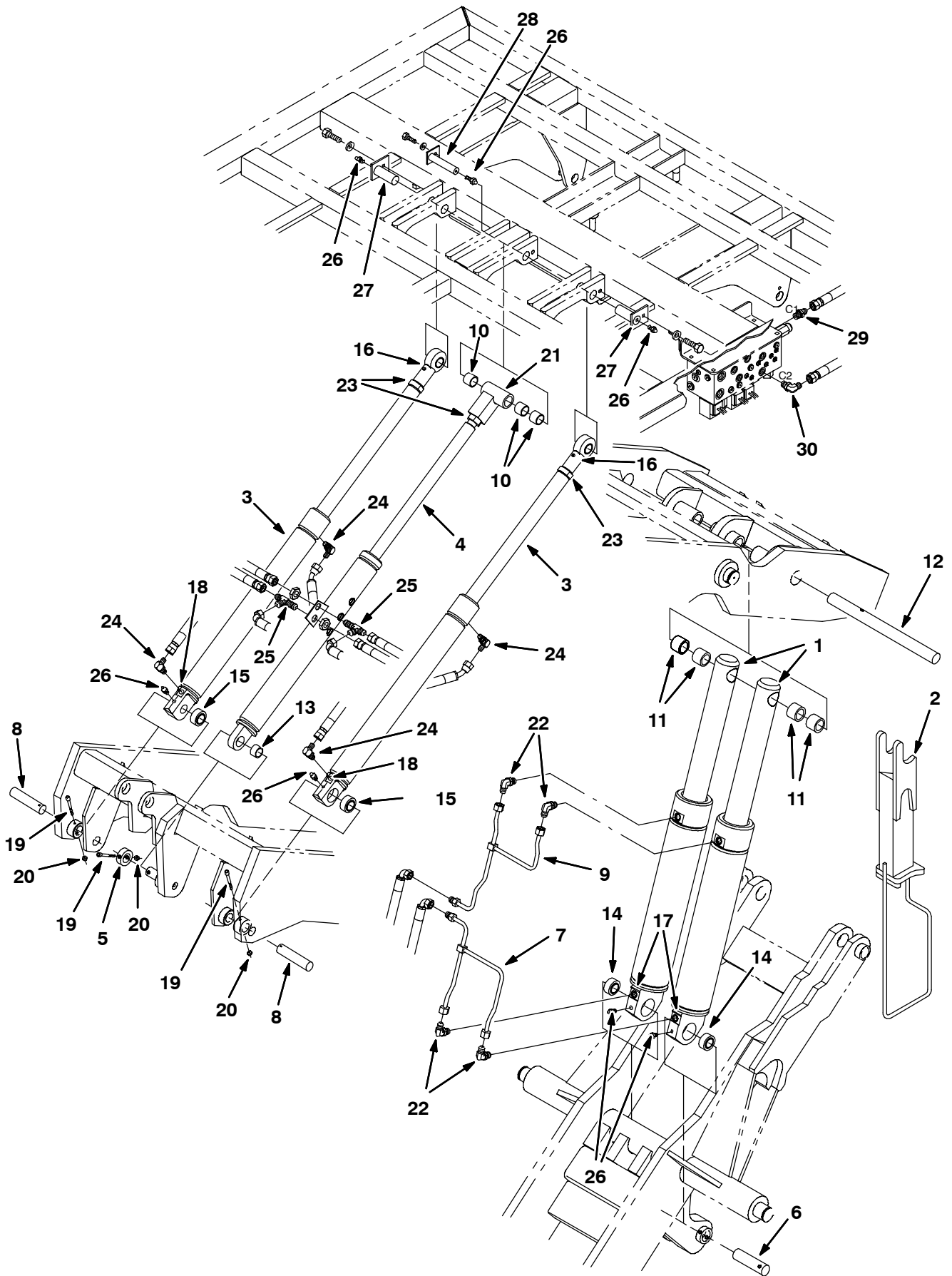
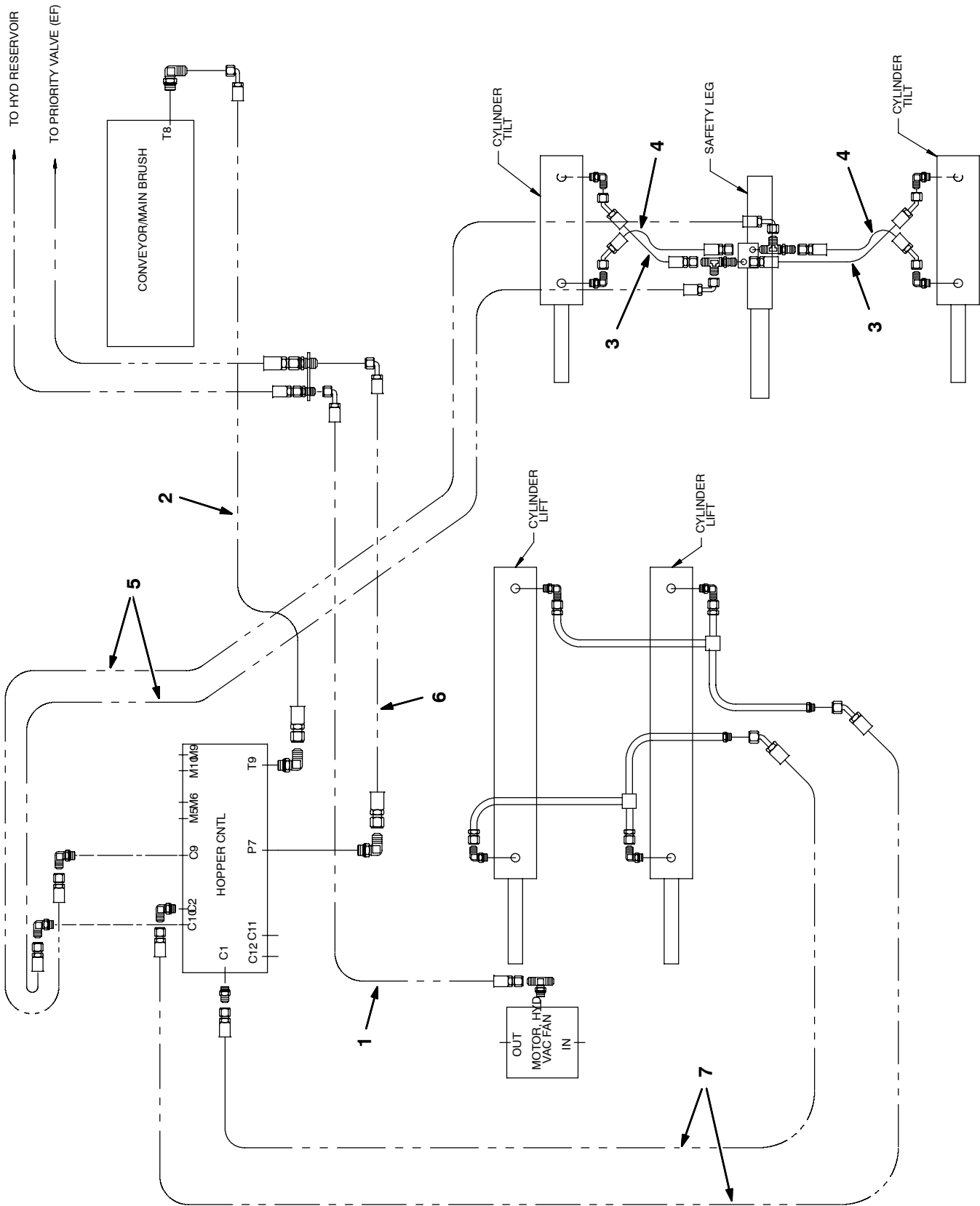


Fig. 2 - High Dump Hopper Lift Cylinders Group

Ref.	Part No.	Serial Number	Description	Qty.
1	1019759	(000000- )	Cylinder, Hyd, 3.5b,25.3l,16.50strk,3000	2
2	765445	(000000- )	Support, Maintenance, Lift W/Label	1
3	1019760	(000000- )	Cylinder, Hyd, 2.0b,30.0l,19.25strk,3000	2
4	765444	(000000- )	Tilt, Maintenance, Stand W/Label	1
5	769518	(000000- )	Ring, Lock	1
▽	769507	(000000- )	Pin Assy, Cyl,Lift	2
▲	6 769508	(000000- )	Pin, Cyl, Lift	2
	7 765491	(000000- )	Tube	1
▽	769515	(000000- )	Pin Assy, Cyl,Tilt	2
▲	8 769516	(000000- )	Pin, Cyl, Tilt	2
	9 765492	(000000- )	Tube	1
	10 769523	(000000- )	Bushing	3
	11 769522	(000000- )	Bushing	4
	12 769561	(000000- )	Pin, Rod Cyl, Lift	1
	13 769562	(000000- )	Bushing	1
	14 769525	(000000- )	Bearing, Spherical	2
	15 769526	(000000- )	Bearing, Spherical	2
	16 769527	(000000- )	Rod, End, Cyl,Tilt	2
	17 769530	(000000- )	Fuse, Velocity	2
	18 769531	(000000- )	Fuse, Velocity	2
	19 09294	(000000- )	Screw, Soc, M 8 X 1.25 X 60	6
	20 08709	(000000- )	Nut, Hex, Lock, M 8 X 1.25	6
	21 769558	(000000- )	Clevis Assy, Support	1
	22 762432	(000000- )	Fitting, Hyd, E90, Fm06/Om06	4
	23 769540	(000000- )	Nut, Jam	3
	24 762425	(000000- )	Fitting, Hyd	4
	25 762444	(000000- )	Fitting, Hyd	2
	26 47801	(000000- )	Fitting, Grease	7
	27 760682	(000000- )	Pin Wldt, Safety Leg, Lower	2
	28 760695	(000000- )	Pin	1
	29 762433	(000000- )	Fitting, Hyd	1
	30 762432	(000000- )	Fitting, Hyd	1

Fig. 3 - High Dump Hopper Hydraulic Hose Group



**Fig. 3 - High Dump Hopper Hydraulic Hose Group**

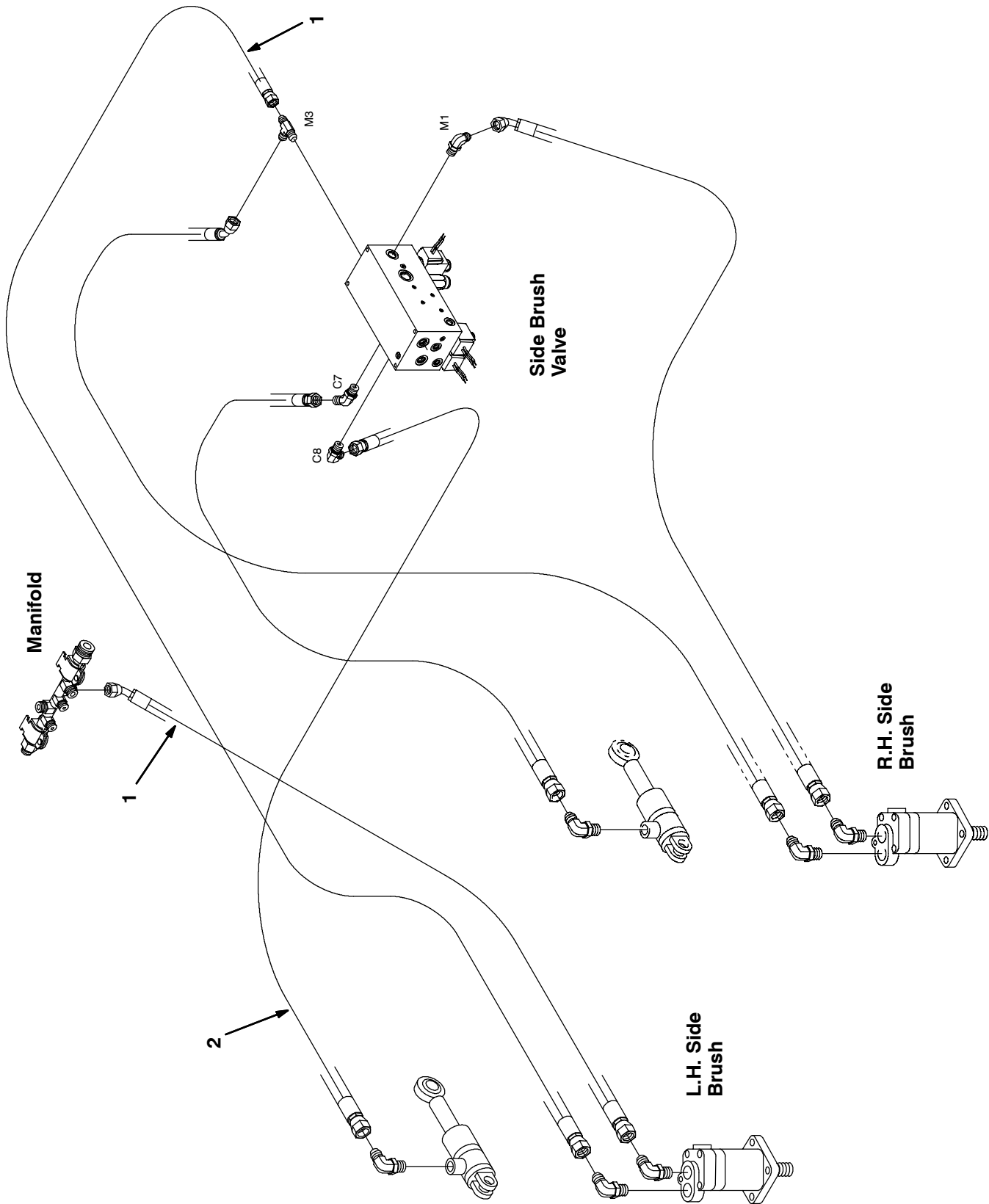
<b>Ref.</b>	<b>Part No.</b>	<b>Serial Number</b>	<b>Description</b>	<b>Qty.</b>
1	767233	(000000-	) Hose, Hyd,Tc 06, Ff06str /Ff06e90 ,198.0	1
2	771031	(000000-	) Hose, Hyd,Tc 10, Ff10str /Ff10e90 ,184.0	1
3	767319	(000000-	) Hose, Hyd,Tc 04, Ff06str /Ff04e45 , 23.5	2
4	767320	(000000-	) Hose, Hyd,Tc 04, Ff06str /Ff04e45 , 14.5	2
5	767321	(000000-	) Hose, Hyd,Tc 06, Ff06str /Ff06e90 , 77.0	2
6	767323	(000000-	) Hose, Hyd,Tc 10, Ff10str /Ff10e90 ,154.5	1
7	767325	(000000-	) Hose, Hyd,Tc 04, Ff06str /Ff06e45 ,173.0	2



Fig. 4 - Left Side Brush Group

Ref.	Part No.	Serial Number	Description	Qty.
	1	1007954	(000000- ) Fitting, Hyd, E90, Fm06/Om10	2
▽	2	771072	(000000- ) Motor, Hyd, Gear, [In] 11.9 B 3000	1
▲		1031670	(000000- ) Seal Kit, Motor, Hyd, Gear	1
	3	761209	(000000- ) Bracket,Hyd.Motor Support	1
	4	768834	(000000- ) Channel Weldt,Lower Support	1
	5	761428	(000000- ) Hub Weldt,Side Brush	1
	6	762434	(000000 ) Fitting, Hyd, Tee, Fm06/Om06/Fm06	1
	7	768836	(000000- ) Bar, Wldt. Brush Support	3
▽	8	762043	(000000- ) Cylinder, Hyd S Br Lift	1
▲		762073	(000000- ) Kit, Seal, Cyl, Hyd	1
	9	761229	(000000- ) Pin,Hyd.Cylinder	1
	10	763005	(000000- ) Retaining Ring, M16	1
	11	767644	(000000- ) Shaft, Side Brush	1
	12	768852	(000000- ) Bracket Wldt,Side Brush Lh	1
	13	761225	(000000- ) Eyebolt, .50-13X3.5"	1
	14	761223	(000000- ) Spring	1
	15	762432	(000000- ) Fitting, Hyd, E90, Om06/ Fm06	2
	16	768842	(000000- ) Tube	6
	17	767641	(000000- ) Bearing, Flange	6
	18	763003	(000000- ) Bearing,	2
	19	47801	(000000- ) Ftg, Grease.25-28Th Strt .63L	1
	20	763007	(000000- ) Bearing	1
	21	06971	(000000- ) Screw, Hex, M12 X 1.75 X 50, 8.8	6
	22	33342	(000000- ) Nut, Hex, Lock, M16 X 2.0, NI	2
	23	15331	(000000- ) Washer, Flat, 0.62 Sae	2
	24	08167	(000000- ) Nut, Hex, Stover, M12 X 1.75	6
	25	32486	(000000- ) Washer, Flat, 0.50 Sae	12
	26	32985	(000000- ) Nut, Hex, Lock, .50-13, NI	1
	27	32493	(000000- ) Washer, Flat, 0.50 Std	1
	28	08711	(000000- ) Nut, Hex, Lock, M12 X 1.75,NI	3
	29	41346	(000000- ) Screw, Hex, M12 X 1.75 X 30, 8.8	3
	30	33440	(000000- ) Screw, Hex, M12 X 1.75 X 40, Ss, NI	4
12317	31	<del>392585</del>	<del>(000000- ) Tube, Exhaust, 2.0d [Om3.0] [8410]</del> Screw, Hex	3
	32	32969	(000000- ) Washer, Flat, 1.00 Sae	1
	33	38490	(000000- ) Nut, Slot, Pump, Hyd, Gear	1
	34	08180	(000000- ) Pin, Cotter, .125 X 2.00	1
	35	09741	(000000- ) Nut, Hex, Lock, M12 X 1.75, NI, Ss	4
	36	41346	(000000- ) Screw, Hex, M12 X 1.75 X 30, 8.8	1
	37	763074	(000000- ) Washer, Flat, M16, Fender [Din9021]	1
	38	763043	(000000- ) Washer, Belleville, M12	1
	39	763139	(000000- ) Washer, Flat, 1.12 Sae	2
	40	771010	(000000- ) Valve, Hyd, Solenoid, 12vdc[07s24g3000] (See Breakdowns)	1

**Fig. 5 - Left Side Brush Hydraulic Hose Group**

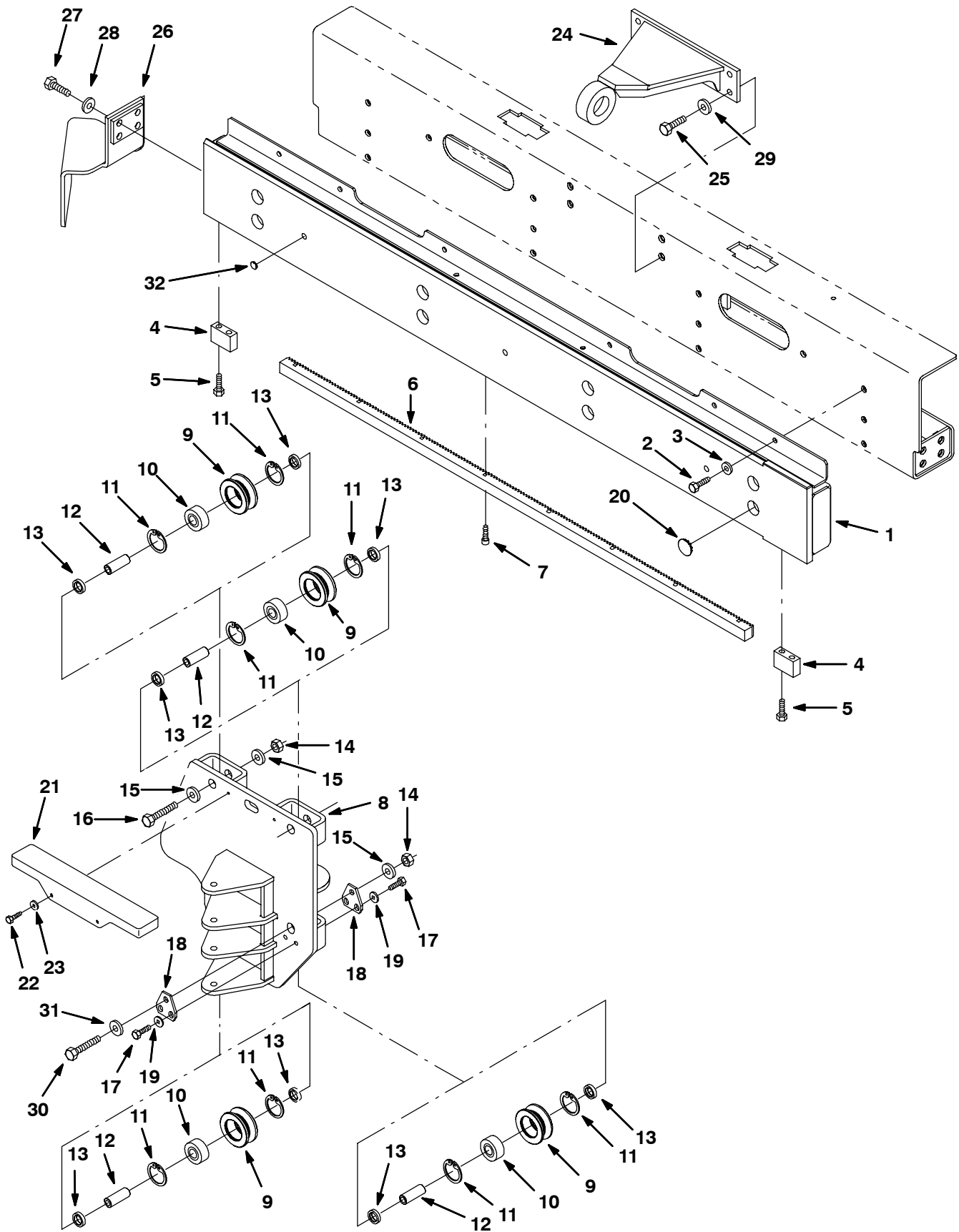




**Fig. 5 - Left Side Brush Hydraulic Hose Group**

<b>Ref.</b>	<b>Part No.</b>	<b>Serial Number</b>	<b>Description</b>	<b>Qty.</b>
1	771043	(000000-	) Hose, Hyd,Tc 06, Ff06Str /Ff06Str , 62.0	2
2	1010941	(000000-	) Hose, Hyd,Tc 06, Ff06Str /Ff06Str , 66.0	1

Fig. 6 - Vario Brush Dolly Group



**Fig. 6 - Vario Brush Dolly Group**

<b>Ref.</b>	<b>Part No.</b>	<b>Serial Number</b>	<b>Description</b>	<b>Qty.</b>
1	1011527	(000000-	) Channel Wldt	1
2	03192	(000000-	) Screw, Hex, M10 X 1.5 X 30, 8.8	14
3	32492	(000000-	) Washer, Flat, 0.38 Std	14
4	1006939	(000000-	) Block, Stop	2
5	06963	(000000-	) Screw, Hex, M10 X 1.5 X 60, 8.8	4
6	761317	(000000-	) Rack, Undercarriage	1
7	09278	(000000-	) Screw, Soc, M 8 X 1.25 X 30, 12.9	8
8	1006148	(000000-	) Dolly Wldt	1
9	1008985	(000000-	) Follower, Cam	4
10	1008982	(000000-	) Bearing, Ball,20.0b 47.0d 20.6w [Ang]	4
11	1009201	(000000-	) Ring, Retaining, Int, 47mm	8
12	1008883	(000000-	) Bushing, Sleeve, 12.3b 19.9d 55.9l, Ss	4
13	1008853	(000000-	) Sleeve, Pm, 29.0od 20.0b 6.6l Ss	8
14	09741	(000000-	) Nut, Hex, Lock, M12 X 1.75,NI, Ss	4
15	32493	(000000-	) Washer, Flat, 0.50 Std	4
16	06974	(000000-	) Screw, Hex, M12 X 1.75 X 80, 8.8	2
17	06960	(000000-	) Screw, Hex, M10 X 1.5 X 16, 8.8	8
18	1009571	(000000-	) Plate, Spacer	4
19	41187	(000000-	) Washer, Belleville, .38	8
20	1010399	(000000-	) Button, Plug, 1.25h .183 [Black Stl]	8
21	1010697	(000000-	) Cover, Follower	1
22	09744	(000000-	) Screw, Hex, M6 X 1.0 X 12, Ss	2
23	01684	(000000-	) Washer, Flat, 0.25 Ss	2
24	1009784	(000000-	) Latch Wldt	1
25	06969	(000000-	) Screw, Hex, M12 X 1.75 X 40, 8.8	4
26	1010759	(000000-	) Guard Wldt	1
27	09029	(000000-	) Screw, Hex, M12 X 1.75 X 40, Ss	4
28	41619	(000000-	) Washer, Flat, 0.50 Ss	4
29	32486	(000000-	) Washer, Flat, 0.50 Sae	4
30	06975	(000000-	) Screw, Hex, M12 X 1.75 X 90, 8.8	2
31	36328	(000000-	) Washer, Belleville, .50	4
32	86318	(000000-	) Button, Plug, 0.50h Blind, [Black Stl]	3

Fig. 7 - Vario Brush Dolly Hydraulics Group

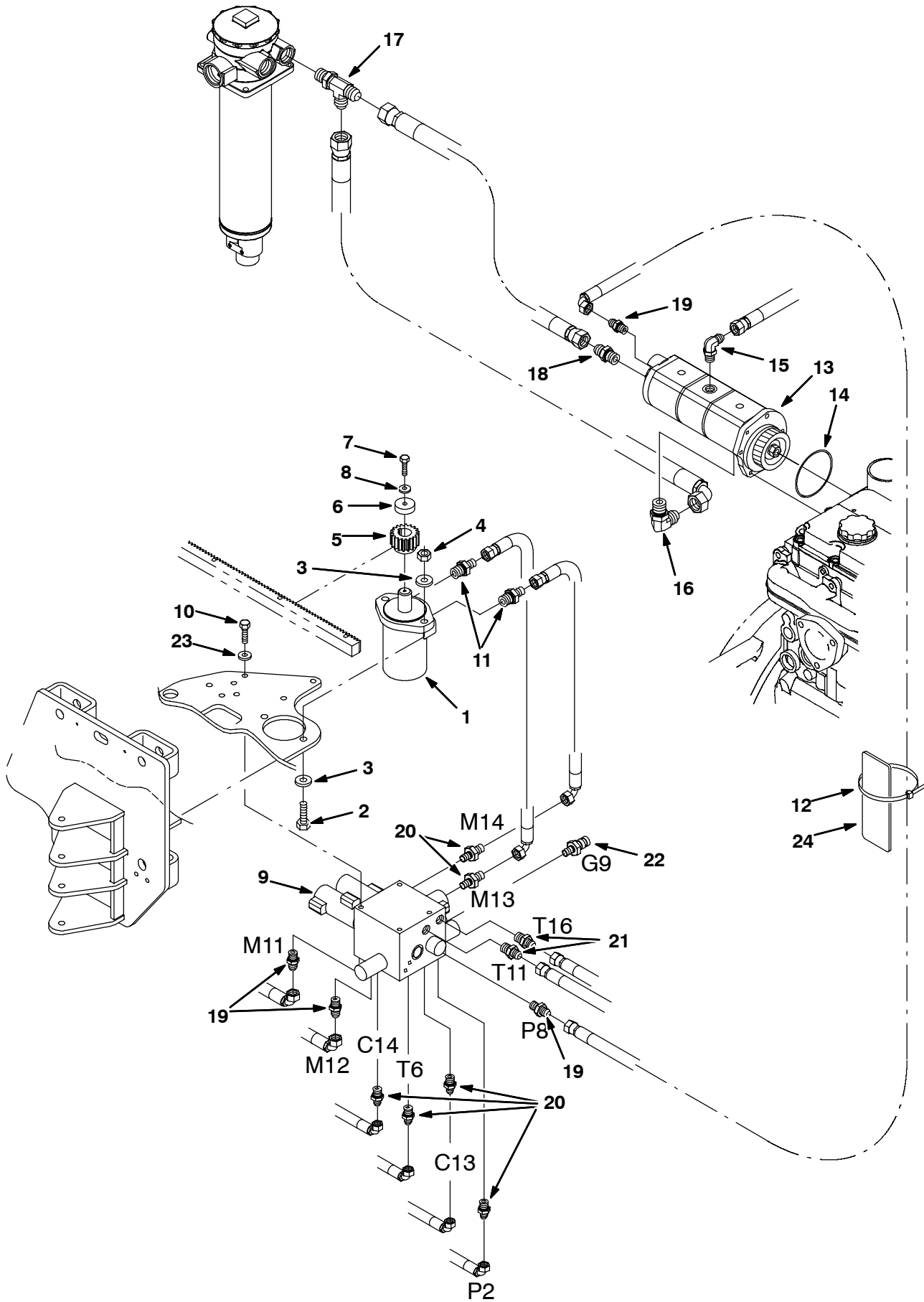


Fig. 7 - Vario Brush Dolly Hydraulics Group

Ref.	Part No.	Serial Number	Description	Qty.
▽	1	1005753	(000000- ) Motor, Hyd, Gear [In] 02.2 B 2250	1
▲		1031672	(000000- ) Seal Kit, Motor, Hyd, Gear	1
	2	06971	(000000- ) Screw, Hex, M12 X 1.75 X 50, 8.8	2
	3	32486	(000000- ) Washer, Flat, 0.50 Sae	4
	4	08711	(000000- ) Nut, Hex, Lock, M12 X 1.75,NI	2
	5	761328	(000000- ) Gear	1
	6	761449	(000000- ) Washer, 0.33b 1.50d .47, Stl, C / Bore	1
	7	25046	(000000- ) Screw, Hex, .25-20X1.00, 5	1
	8	32490	(000000- ) Washer, Flat, 0.25 Std	1
	9	771011	(000000- ) Valve, Hyd, Sol, 12Vdc [07S06G3000]	1
	10	06961	(000000- ) Screw, Hex, M10 X 1.5 X 20, 8.8	3
	11	762439	(000000- ) Fitting, Hyd, Str, Fm06/Om10	2
	12	763115	(000000- ) Tie, Cable 6.0Lg	6
▽	13	1008236	(000000- ) Pump, Hyd, Gear [Ex2] 0.61 [R] 3200	1
▲		1031679	(000000- ) Seal Kit, Motor, Hyd	1
	14	767014	(000000- ) Seal, O-Ring,	1
	15	762432	(000000- ) Fitting, Hyd, E90, Om06/ Fm06	1
	16	762492	(000000- ) Fitting, Hyd, E90, Om12/Fm12	1
	17	771084	(000000- ) Fitting, Hyd, Tee, Fm12/Fm12/Ff12	1
	18	762463	(000000- ) Fitting, Hyd,, Str, Fm10/Om10	1
	19	762433	(000000- ) Fitting, Hyd, Str, Om06/Fm06	4
	20	762426	(000000- ) Fitting, Hyd, Str, Fm04/Om06	6
	21	762438	(000000- ) Fitting, Hyd, Str, Om06/Fm08	2
	22	395973	(000000- ) Fitting, Hyd, Str, Om04/Qm04	1
	23	32492	(000000- ) Washer, Flat, 0.38 Std	3
	24	762180	(000000- ) Sheet, Rbr, Guard, Hose, 8"	2

Fig. 8 - Vario Brush Pivot Group

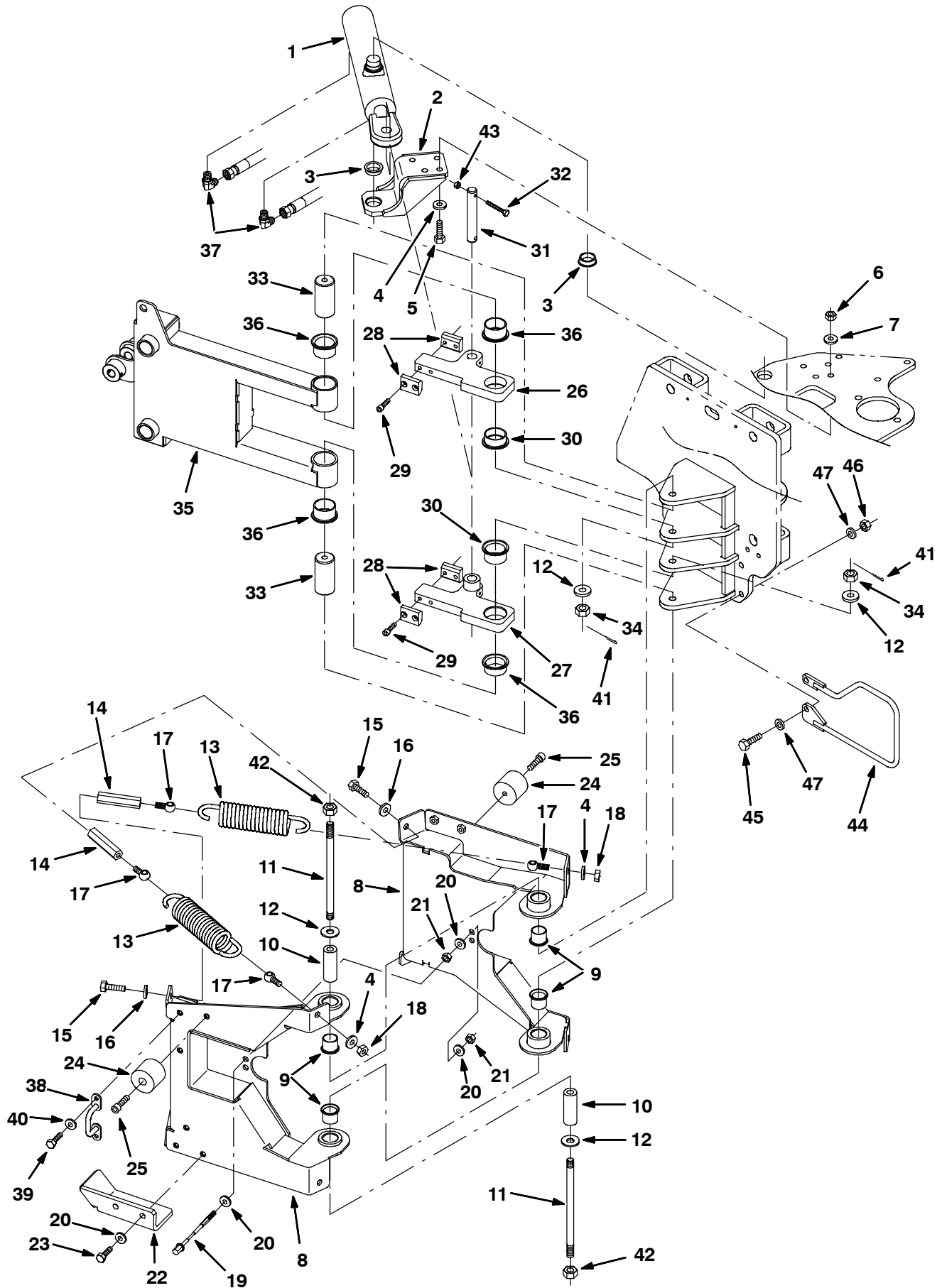


Fig. 8 - Vario Brush Pivot Group

Ref.	Part No.	Serial Number	Description	Qty.
1	1006894	(000000-	) Cylinder, Hyd, 2.0B,15.5L,07.50Strk	1
2	1008689	(000000-	) Plate Wldt, Cyl	1
3	83733	(000000-	) Bushing, Flng, 1.00b 1.13d 0.38l	2
4	32492	(000000-	) Washer, Flat, 0.38 Std	12
5	39285	(000000-	) Screw, Hex, M10 X 1.5 X 40, 8.8	4
6	41430	(000000-	) Nut, Hex, Lock, M10 X 1.5, NI	4
7	763042	(000000-	) Washer, Belleville, M10	4
8	1010219	(000000-	) Support Wldt	2
9	54618	(000000-	) Bushing, Flng, 1.00b 1.13d 1.00l	4
10	55767	(000000-	) Tube, 01.00d 00.50b 02.7l Stl Plt	2
11	1013169	(000000-	) Pin, Pivot, Main	2
12	32493	(000000-	) Washer, Flat, 0.50 Std	4
13	1007327	(000000-	) Spring, Extn, 1.90od X .306wir, 8.0l	4
14	1007496	(000000-	) Bar, Hex, Stl, 0.75 3.2l M10 X 1.50 Thru	4
15	1008264	(000000-	) Screw, Hex, M10 X 1.5 X 70, 8.8 Fl	4
16	32492	(000000-	) Washer, Flat, 0.38 Std	4
17	1008254	(000000-	) Bolt, Eye, M10x1.50 X 30mm, 10 Eye	8
18	08714	(000000-	) Nut, Hex, Lock, M10 X 1.5, NI, Ss	4
19	1008235	(000000-	) Cable, 3.96D, 109 L, M8-1.25/Plug	1
20	32491	(000000-	) Washer, Flat, 0.31 Std	5
21	39311	(000000-	) Nut, Hex, Std, M08 X 1.25	2
22	1010306	(000000-	) Angle, Guard	1
23	09010	(000000-	) Screw, Hex, M8 X 1.25 X 25, Ss	2
24	1009443	(000000-	) Bumper, Rbr, 2.0d 1.7t 0.34h	2
25	41445	(000000-	) Screw, Soc, M 8 X 1.25 X 35, 12.9	2
26	1010217	(000000-	) Pivot Wldt, Arm	1
27	1010266	(000000-	) Pivot Wldt, Arm	1
28	1010272	(000000-	) Bumper	4
29	71388	(000000-	) Screw, Soc, M 6 X 1.0 X 16, 12.9	8
30	1008156	(000000-	) Bushing, Flng, 1.50b 1.65d .750l	2
31	1007053	(000000-	) Pin, 0.75d 05.1l 2/.16h 2/Cham Chm	1
32	06949	(000000-	) Screw, Hex, M6 X 1.0 X 50, 8.8	1
33	1014717	(000000-	) Pin, Pivot	2
34	1013494	(000000-	) Nut, Hex, Slted, M12 X 1.75	2
35	1010249	(000000-	) Pivot Wldt	1
36	54620	(000000-	) Bushing, Flng, 1.50b 1.65d 1.00l	4
37	762427	(000000-	) Fitting, Hyd, E90, Om04/Fm04	2
38	1012561	(000000-	) Bar Wldt, Mtg, Hose	1
39	15678	(000000-	) Screw, Hex, M6 X 1.0 X 16, Ss	2
40	01685	(000000-	) Washer, Flat, 0.31 Ss	2
41	08185	(000000-	) Pin, Cotter, .125 X 1.50	2
42	08711	(000000-	) Nut, Hex, Lock, M12 X 1.75,NI	2
43	08708	(000000-	) Nut, Hex, Lock, M6 X 1.0, NI	1
44	1013847	(000000-	) Guard Wldt	1
45	06955	(000000-	) Screw, Hex, M8 X 1.25 X 35, 8.8	2
46	08709	(000000-	) Nut, Hex, Lock, M8 X 1.25, NI	2
47	32490	(000000-	) Washer, Flat, 0.25, Std	4

Fig. 9 - Vario Brush Lift Group

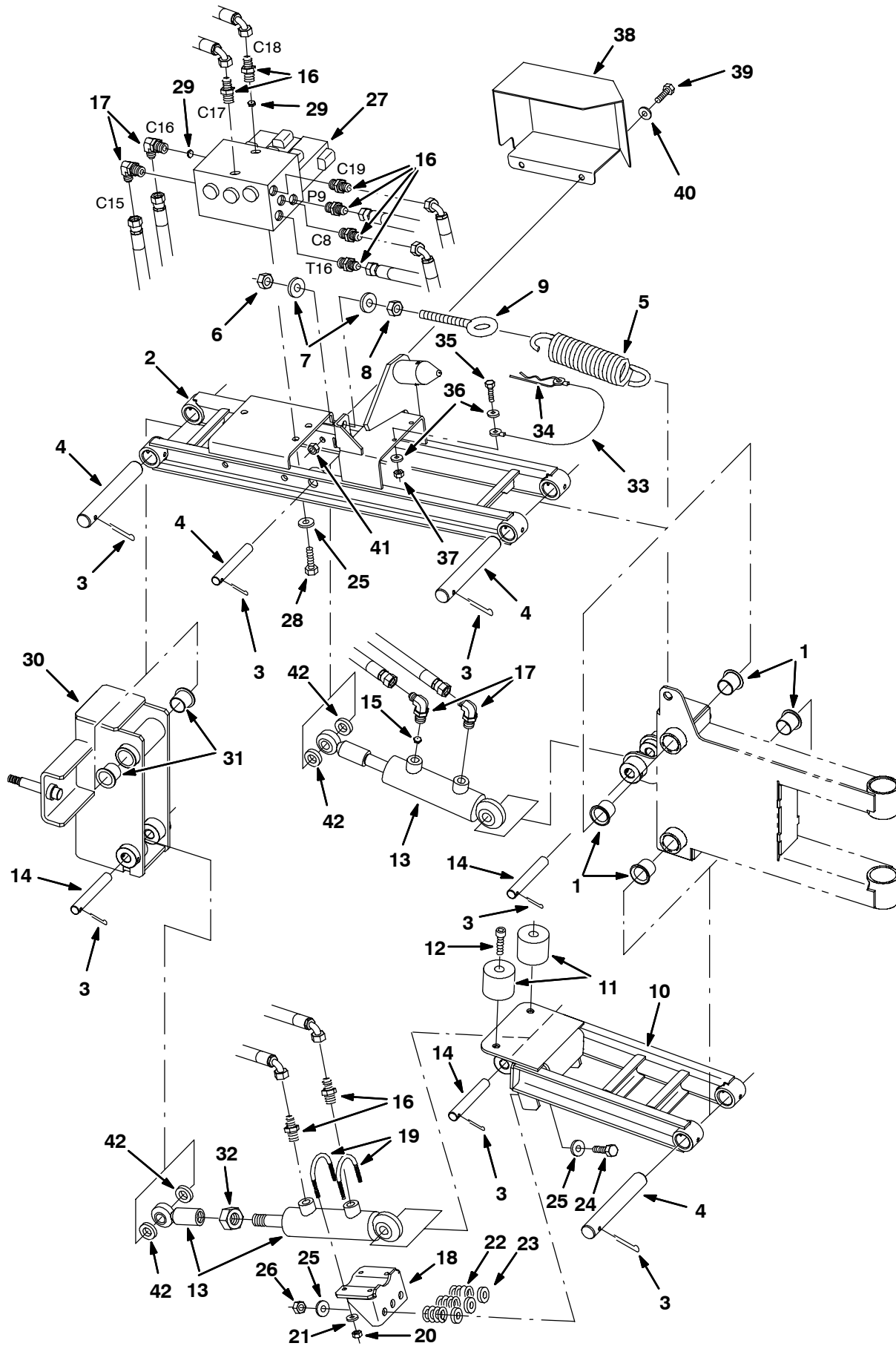




Fig. 9 - Vario Brush Lift Group

Ref.	Part No.	Serial Number	Description	Qty.
1	1007123	(000000-	) Bushing, Flng, 25b 28d 25l	4
2	1006590	(000000-	) Arm Wldt, Upper	1
3	1013513	(000000-	) Pin, Cotter, .25 X 2.00	7
4	1006606	(000000-	) Pin, 25.0od 175.0l 1/6.35h 2/Cham	3
5	1007327	(000000-	) Spring, Extn, 1.90od X .306wir, 8.0l	1
6	25015	(000000-	) Nut, Hex, Std, .50-13	1
7	32486	(000000-	) Washer, Flat, 0.50 Sae	2
8	32985	(000000-	) Nut, Hex, Lock, .50-13, NI	1
9	761225	(000000-	) Bolt, Eye, .50-13 X 03.5	1
10	1006612	(000000-	) Arm Wldt, Lower	1
11	1009443	(000000-	) Bumper, Rbr, 2.0d 1.7t 0.34h	2
12	41445	(000000-	) Screw, Soc, M 8 X 1.25 X 35, 12.9	2
13	762011	(000000-	) Cylinder, Hyd, 1.5B,11.0L,02.90Strk	2
14	1006669	(000000-	) Pin, 15.7od 110.0l 1/6.35h 2/Cham	4
15	771086	(000000-	) Fitting, Hyd, Orifice, 0.047	1
16	762426	(000000-	) Fitting, Hyd, Str, Fm04/Om06	8
17	762425	(000000-	) Fitting, Hyd, E90, Fm04/Om06	4
18	1007880	(000000-	) Support Wldt	1
19	1007854	(000000-	) Bolt, U, 48mm Id, 6mm	2
20	08708	(000000-	) Nut, Hex, Lock, M 6 X 1.0, NI	4
21	32490	(000000-	) Washer, Flat, 0.25 Std	4
22	360357	(000000-	) Spring, Die, 1.00od 0.50id 1.25l	3
23	1011254	(000000-	) Tube, 01.00d 00.44b 00.3l Stl	3
24	06964	(000000-	) Screw, Hex, M10 X 1.5 X 70, 8.8	3
25	32492	(000000-	) Washer, Flat, 0.38 Std	7
26	41430	(000000-	) Nut, Hex, Lock, M10 X 1.5, NI	3
27	771012	(000000-	) Valve, Hyd, Sol, 12Vdc [07S03G3000]	1
28	06961	(000000-	) Screw, Hex, M10 X 1.5 X 20, 8.8	4
29	1009537	(000000-	) Fitting, Hyd, Orifice, 0.026	2
30	1005978	(000000-	) Pivot Wldt, Head	1
31	1007123	(000000-	) Bushing, Flng, 25b 28d 25l	2
32	07782	(000000-	) Nut, Hex, Std, M16 X 2.0	1
33	57702	(000000-	) Cable, .06d, 12.0l, .26eye /.26eye	1
34	761490	(000000-	) Pin, Hair, Double	1
35	06943	(000000-	) Screw, Hex, M6 X 1.0 X 20, 8.8	1
36	763040	(000000-	) Washer, Belleville, M06	2
37	08708	(000000-	) Nut, Hex, Lock, M 6 X 1.0, NI	1
38	1013272	(000000-	) Guard, Wire, Vario Brush	1
39	16931	(000000-	) Screw, Hex, M8 X 1.25 X 20, 8.8	2
40	07791	(000000-	) Nut, Hex, Flng, M8 X 1.25	2
41	32491	(000000-	) Washer, Flat, 0.31 Std	2
42	1013447	(000000-	) Tube, Rnd, 1.125d 0.63b 0.3l Stl Plt	4

Fig. 10 - Vario Brush Motor Group

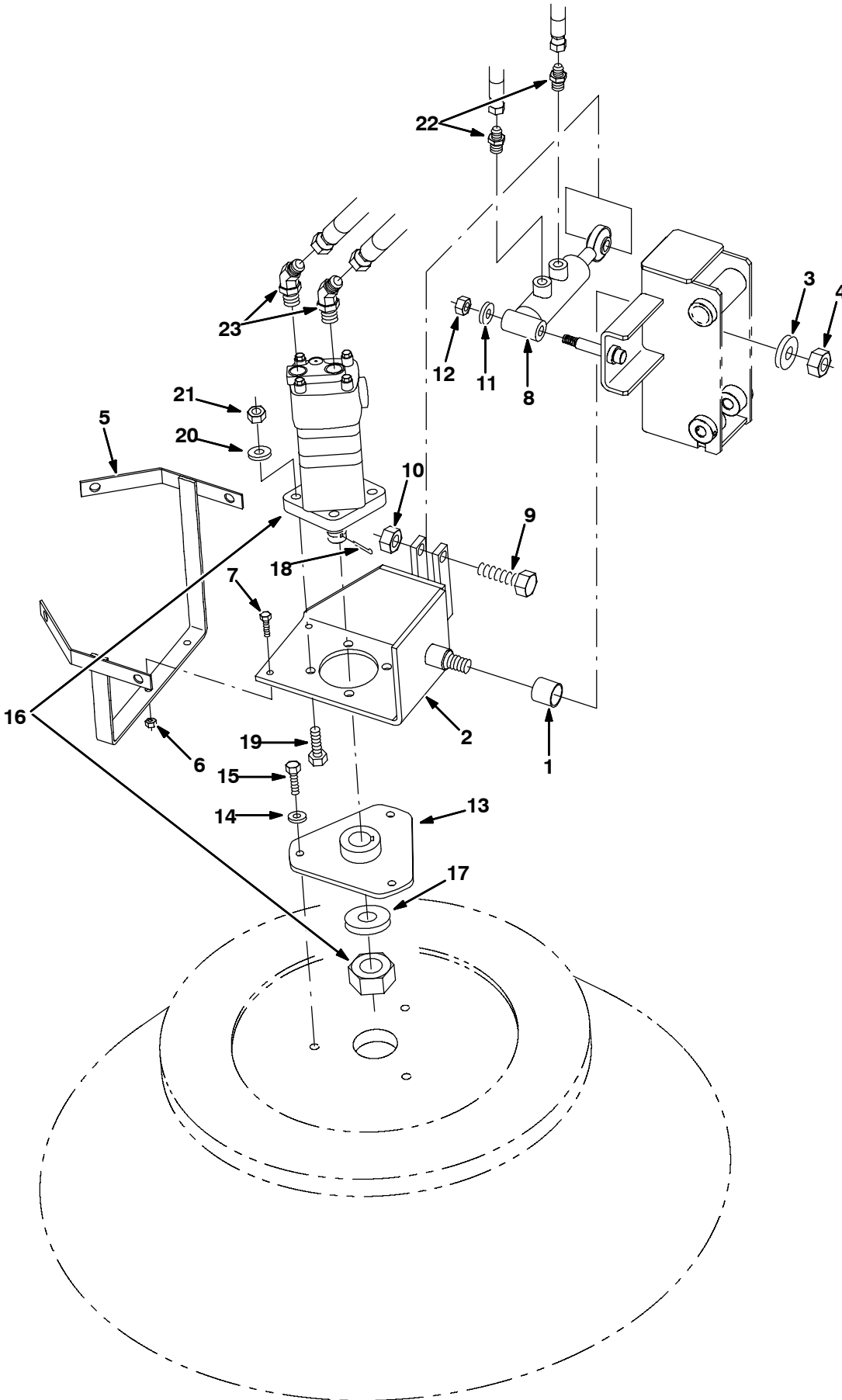


Fig. 10 - Vario Brush Motor Group

Ref.	Part No.	Serial Number	Description	Qty.
1	761311	(000000-	) Bearing	1
2	761451	(000000-	) Bracket	1
3	49145	(000000-	) Washer, 0.76b 1.50d .06, Ss	1
4	763036	(000000-	) Nut, Hex, Lock, M20 X 2.5, NI	1
5	761463	(000000-	) Bracket	1
6	08713	(000000-	) Nut, Hex, Lock, M 8 X 1.25, NI, Ss	2
7	09010	(000000-	) Screw, Hex, M8 X 1.25 X 25, Ss	2
8	1028491	(000000-	) Cylinder, Hyd, 1.5b 07.8l 01.60strk 3000	1
9	06986	(000000-	) Screw, Hex, M16 X 2.0 X 70, 8.8	1
10	08711	(000000-	) Nut, Hex, Lock, M12 X 1.75,NI	1
11	32486	(000000-	) Washer, Flat, 0.50 Sae	1
12	33342	(000000-	) Nut, Hex, Lock, M16 X 2.0, NI	1
13	761428	(000000-	) Hub, Brush	1
14	01686	(000000-	) Washer, Flat, 0.38 Ss	3
15	12317	(000000-	) Screw, Hex, M10 X 1.5 X 30, Ss	3
▽	16	771072	(000000-) Motor, Hyd, Gear, [In] 11.9 B 3000	1
▲		1031670	(000000-) Seal Kit, Motor, Hyd, Gear	1
	17	32969	(000000-) Washer, Flat, 1.00 Sae	1
	18	08202	(000000-) Pin, Cotter, .125 X 1.75	1
	19	06971	(000000-) Screw, Hex, M12 X 1.75 X 50, 8.8	4
	20	32493	(000000-) Washer, Flat, 0.50 Std	4
	21	08711	(000000-) Nut, Hex, Lock, M12 X 1.75,NI	4
	22	762426	(000000-) Fitting, Hyd, Str, Fm04/Om06	2
	23	762461	(000000-) Fitting, Hyd, E45, Fm08/Om10	2

Fig. 11 - Vario Brush Cab Controls and Water Supply Group

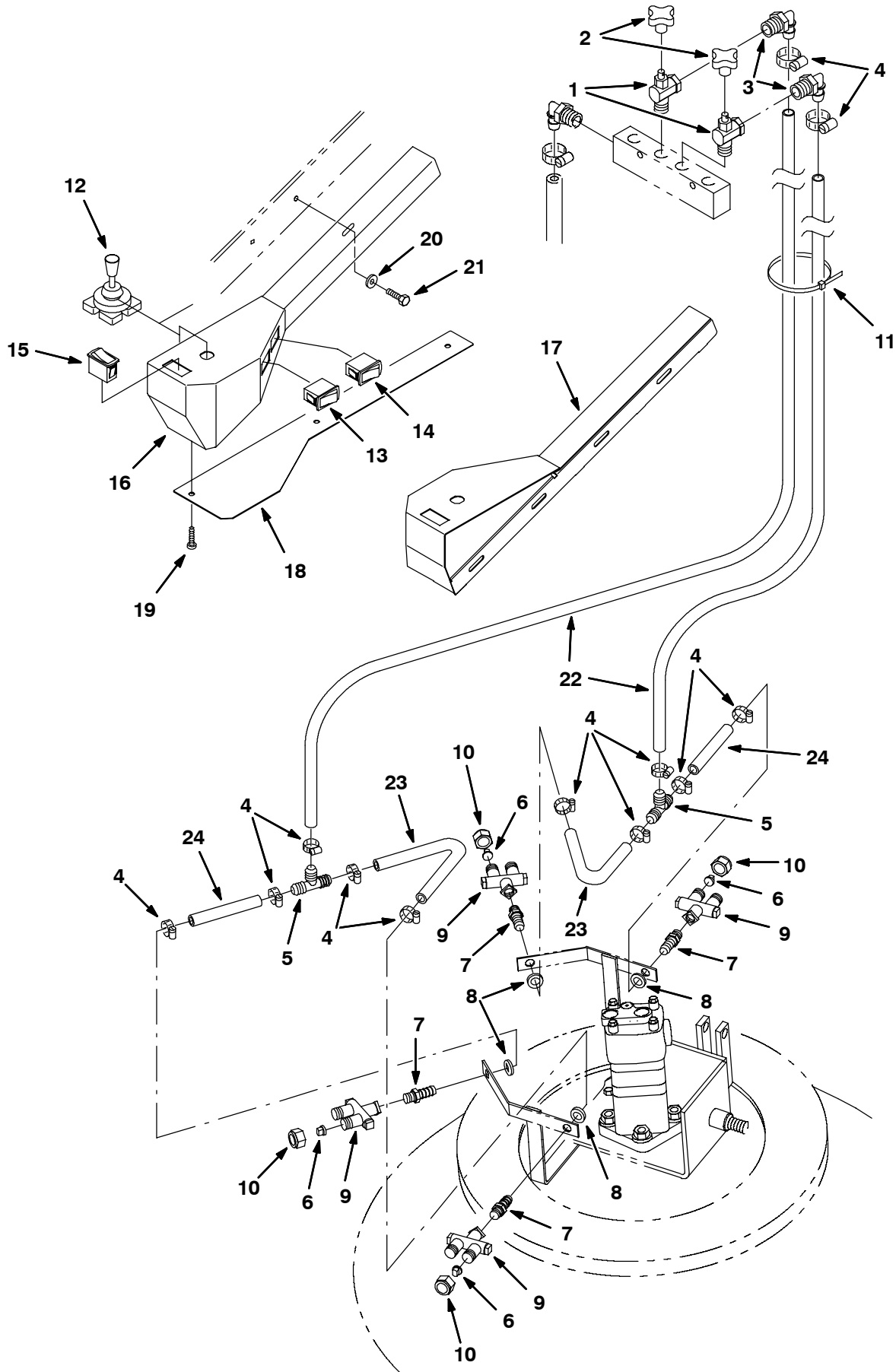
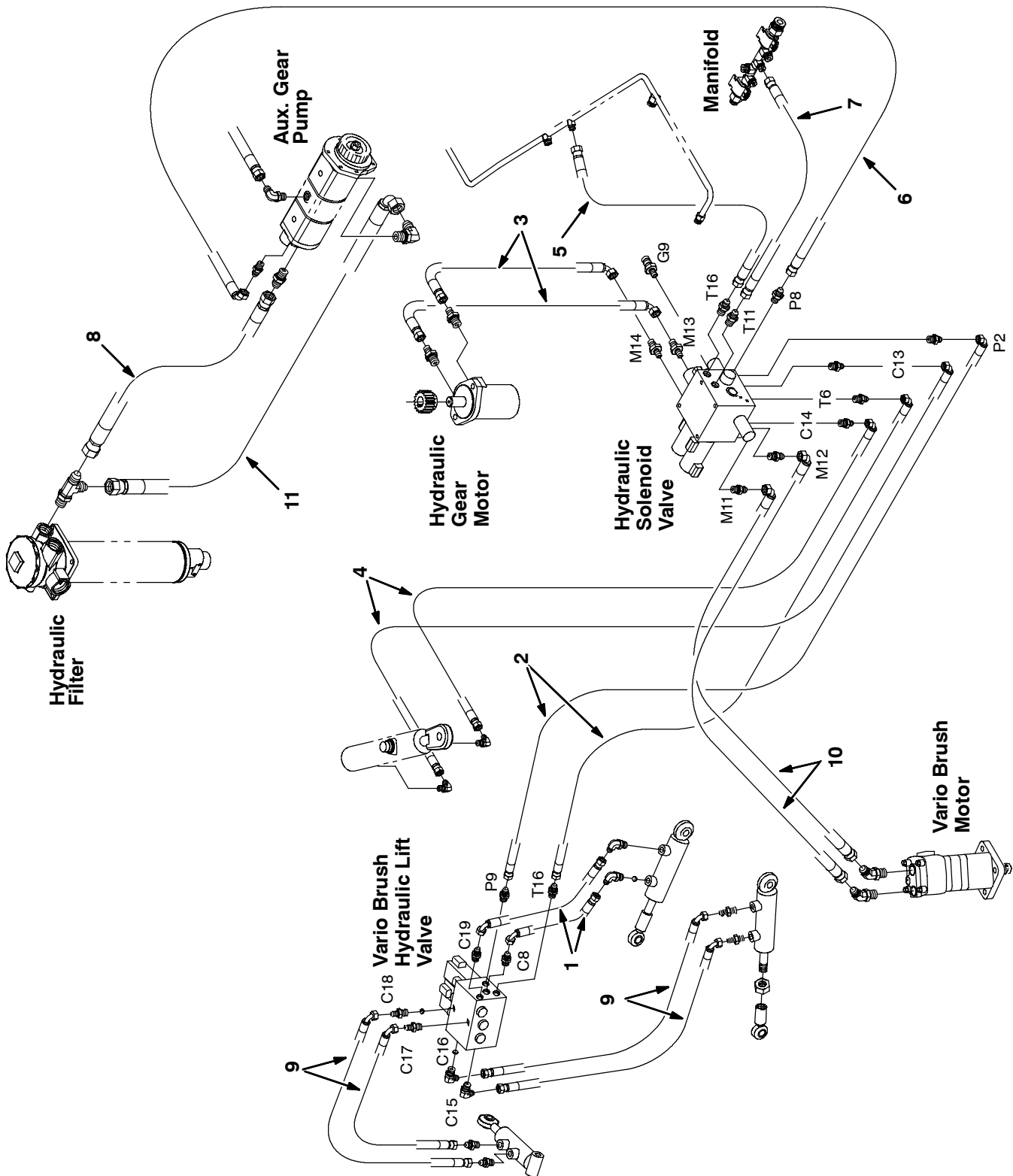


Fig. 11 - Vario Brush Cab Controls and Water Supply Group

Ref.	Part No.	Serial Number	Description	Qty.
1	762217	(000000-	) Valve, Water, Flow Cntrl	2
2	762236	(000000-	) Knob, Star, 1.96d 4ear 1.30l 0.33b	2
3	63244-1	(000000-	) Fitting, Plstc, E90, Bm08/Pm08, Pp	2
4	54333	(000000-	) Clamp, Hose, Wormdrive, 0.31-0.88D	12
5	762219	(000000-	) Fitting, Plstc, Tee, Bm08/Bm08/Bm08	2
6	762221	(000000-	) Nozzle, Spray, Water	8
7	762249	(000000-	) Fitting, Brs, Str, Bm08/Pm04	4
8	41619	(000000-	) Washer, Flat, 0.50 Ss	4
9	769777	(000000-	) Fitting, Brass, Unijet 1/4 T	4
10	769778	(000000-	) Fitting, Brass, Unijet Cap	8
11	763115	(000000-	) Tie, Cable 6.0 Lg	15
▽	12	762505	(000000-) Joystick, Third Brush, [Burgess]	1
▲		762575	(000000-) Switch, Micro, Joystick	4
13	392171	(000000-	) Switch, Rocker, 36Vdc 05A Dpdt On/Of/On	1
14	398528	(000000-	) Switch, Rocker, 36Vdc 05A Dpdt On/Of/Mo	1
15	397889	(000000-	) Switch, Rocker, 36Vdc 05A Dpdt On/N/On	1
16	1009095	(000000-	) Box Wldt, Cntrl R.H.	1
17	1010320	(000000-	) Box, Cntrl L.H.	1
18	1010020	(000000-	) Plate, Cntrl	1
19	74027	(000000-	) Screw, Pan, M 6 X 1.0 X 12, NI	3
20	32491	(000000-	) Washer, Flat, 0.31 Std	4
21	16735	(000000-	) Screw, Hex, M8 X 1.25 X 16, 8.8	4
22	1011835	(000000-	) Hose, Afmkt Replmt, Pvc, Brd 0.50id 20ft	2
23	1024020	(000000-	) Hose, Afmkt, Pvc, Wir, 0.50id, 01ft, Clr	2
24	1011403	(000000-	) Hose, Afmkt, Pvc, Brd, 0.50id, 01ft, Clr	2

Fig. 12 - Vario Brush Hydraulic Hose Group

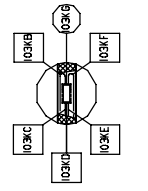
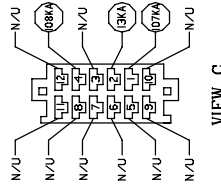
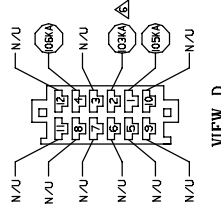
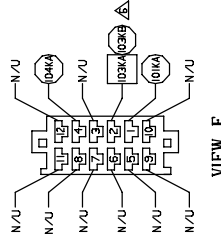
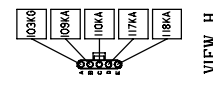


**Fig. 12 - Vario Brush Hydraulic Hose Group**

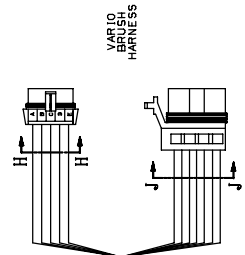
<b>Ref.</b>	<b>Part No.</b>	<b>Serial Number</b>	<b>Description</b>	<b>Qty.</b>
1	771047	(000000-	) Hose, Hyd,Tc 04, Ff04Str /Ff04E45 , 14.0	2
2	762377	(000000-	) Hose, Hyd,Tc 04, Ff04Str /Ff04E90 , 55.5	2
3	1011125	(000000-	) Hose, Hyd,Tc 04, Ff06Str /Ff04E45 , 17.0	2
4	767253	(000000-	) Hose, Hyd,Tc 04, Ff04Str/Ff04E90, 15.0	2
5	767329	(000000-	) Hose, Hyd,Tc 06, Ff06Str /Ff06Str , 94.0	1
6	771057	(000000-	) Hose, Hyd,Tc 06, Ff06Str /Ff06E90 ,161.0	1
7	771050	(000000-	) Hose, Hyd,Med06, Ff06Str /Ff06Str , 98.0	1
8	771085	(000000-	) Hose, Hyd,Med10, Ff10Str /Ff12E45 , 25.0	1
9	771048	(000000-	) Hose, Hyd,Tc 04, Ff04Str /Ff04E90 , 19.0	4
10	771051	(000000-	) Hose, Hyd,Tc 06, Ff08Str, Ff06E90 , 82.0	2
11	1007882	(000000-	) Hose, Hyd,Suc12, Ff12Str /Ff12E90 , 94.0	1

Fig. 13 - Vario Brush Harness Group

- A 10KA
- B 10KA
- C 10KA
- D 10KA
- E 10KA
- F 10KA
- G 10KA



DETAIL F

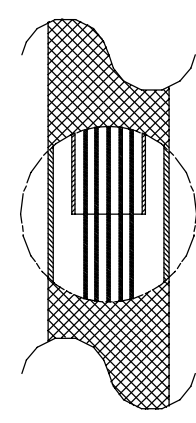


1

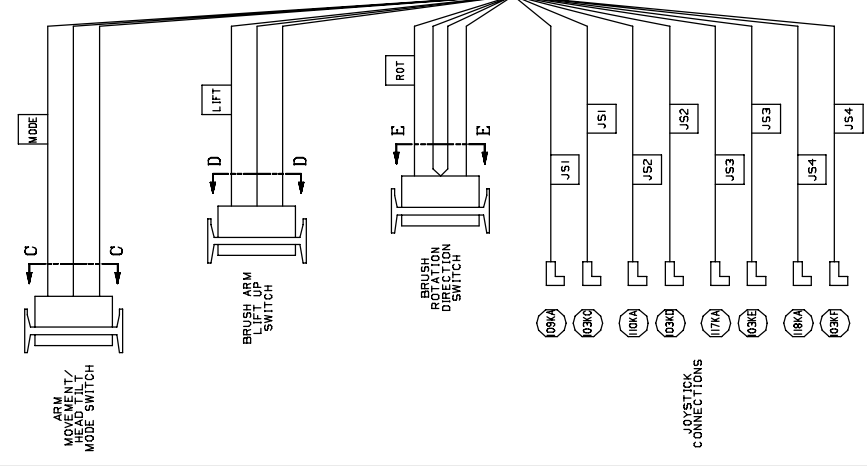
FLEXIBLE CONDUIT TUBING

DETAIL G

DETAIL F



DETAIL G



ARM MOVEMENT/ HEAD LIFT/ MODE SWITCH

BRUSH ARM LIFT UP SWITCH

BRUSH ROTATION DIRECTION SWITCH

JOYSTICK CONNECTIONS



Fig. 13 - Vario Brush Harnesses Group

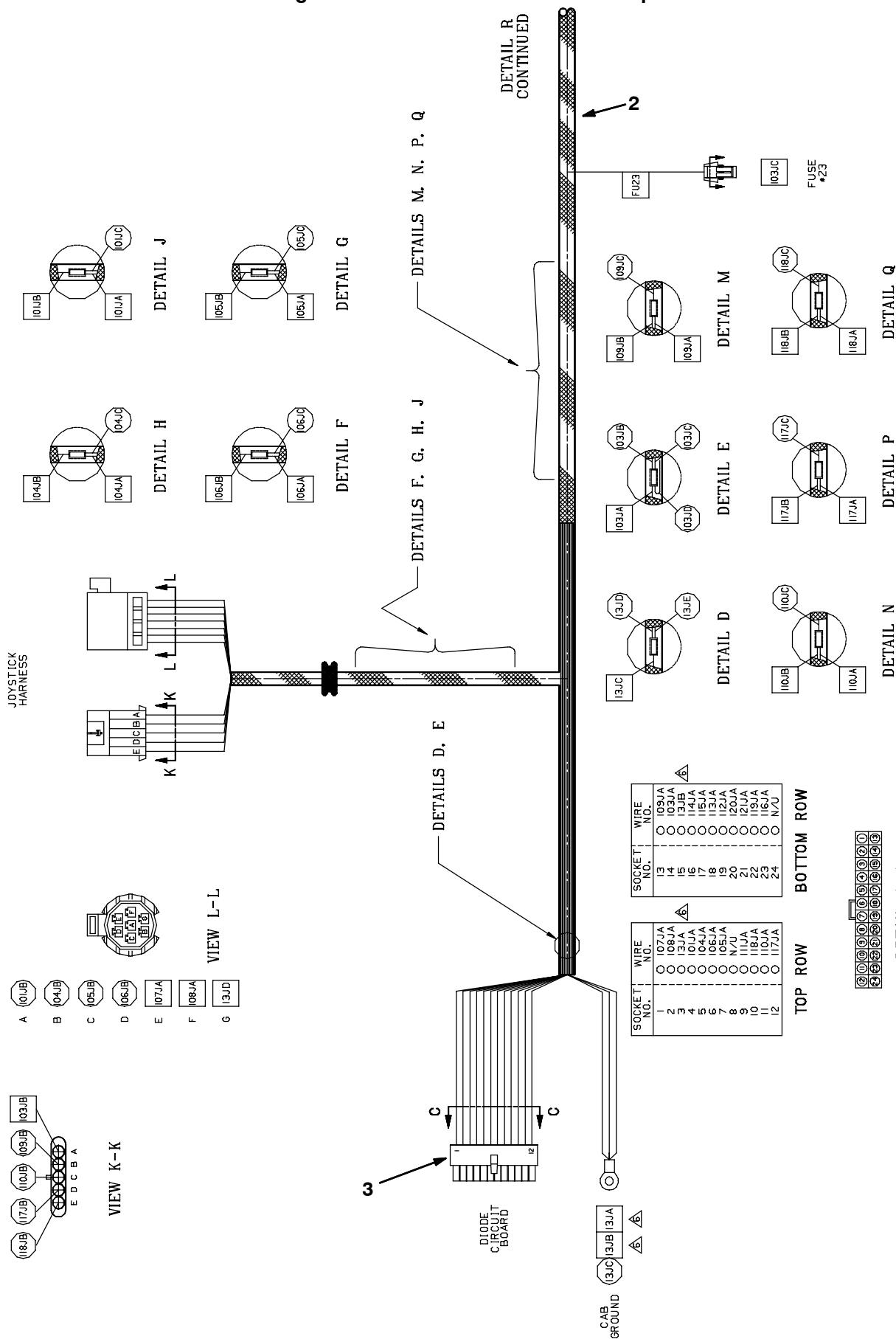
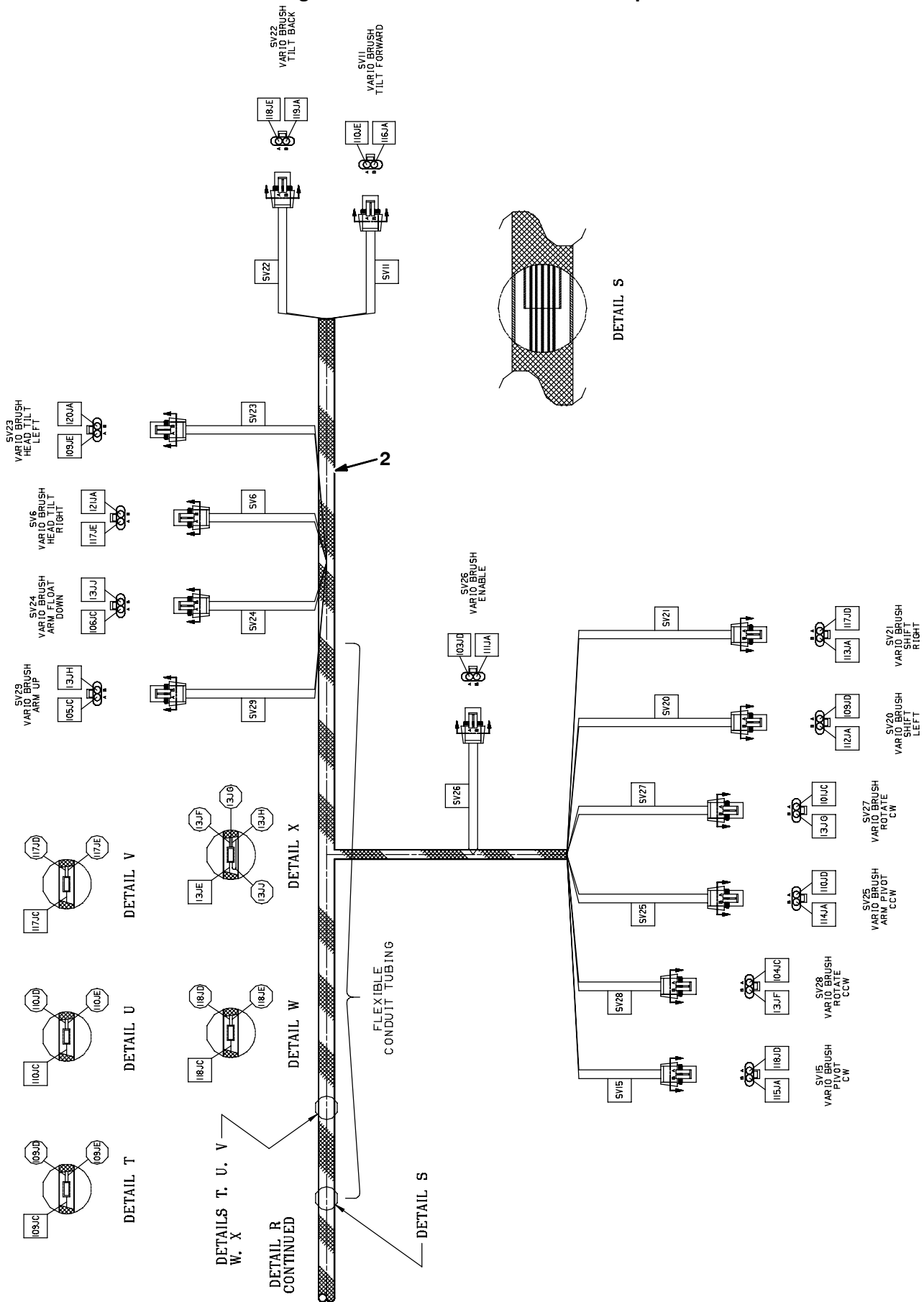


Fig. 13 - Vario Brush Harnesses Group



**Fig. 13 - Vario Brush Harnesses Group**

<b>Ref.</b>	<b>Part No.</b>	<b>Serial Number</b>	<b>Description</b>	<b>Qty.</b>
1	767645	(000000-	) Harness, Wire, Vario Cntrl	1
2	767646	(000000-	) Harness, Wire, Vario	1
3	1008297	(000000-	) Circuitboard, Diode / Timer, Vario	1

Fig. 14 - High Pressure Sprayer Wand Group

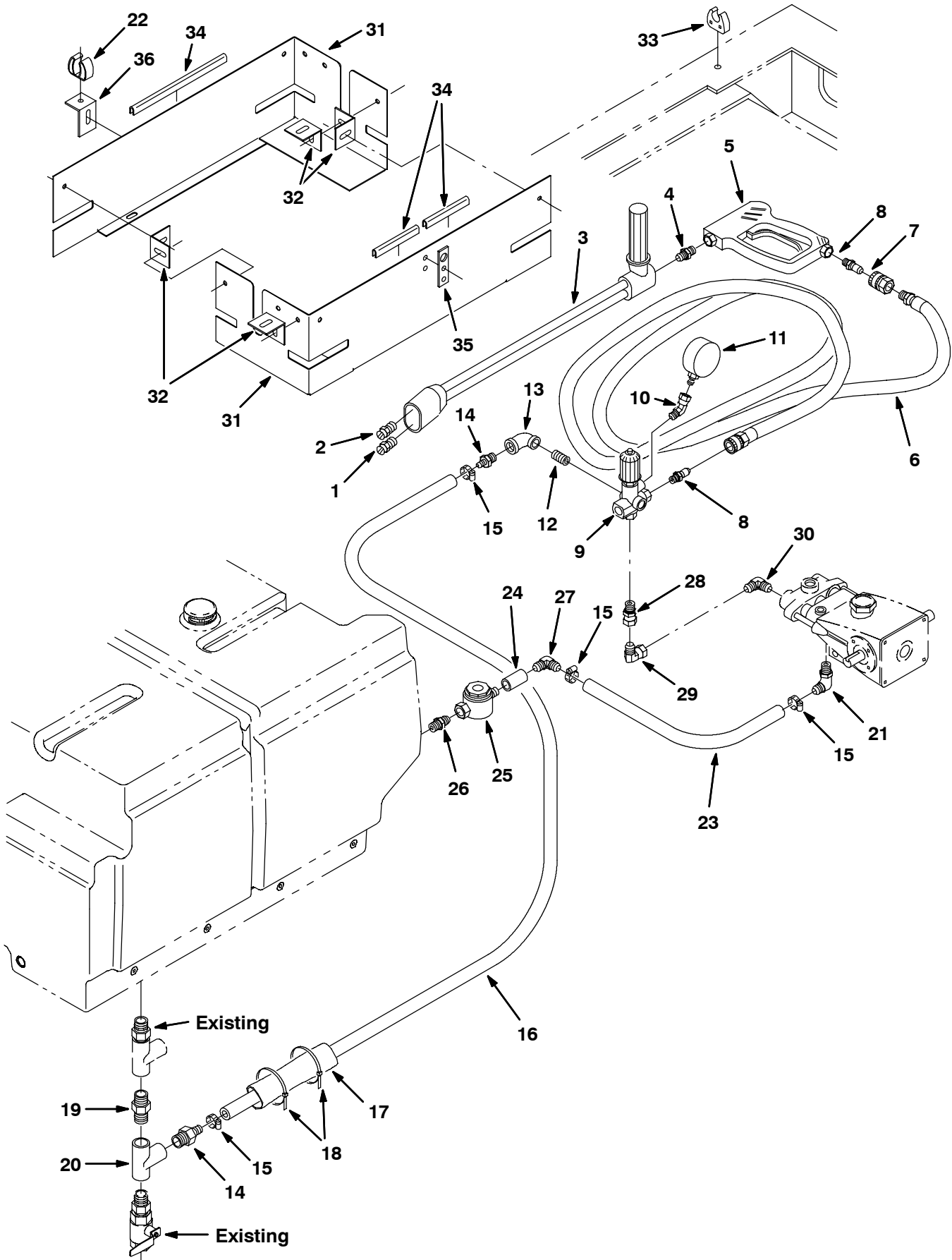


Fig. 14 - High Pressure Sprayer Wand Group

Ref.	Part No.	Serial Number	Description	Qty.
1	762272	(000000-	) Nozzle, High Pressure	1
2	762271	(000000-	) Nozzle, Lo Pressure	1
3	762267	(000000-	) Lance, Dual	1
4	762278	(000000-	) Ftg-Hyd, Str	1
5	762266	(000000-	) Handle, High Pressure Spray	1
6	762270	(000000-	) Hose Assembly, Pressure Wash	1
7	762294	(000000-	) Coupler Body, .375F Brass	1
8	762293	(000000-	) Coupler Plug, .375M Ss	2
9	762264	(000000-	) Valve, Unloader	1
10	762256	(000000-	) Ftg-Hyd, E45	1
11	762265	(000000-	) Gauge, Glycerin	1
12	762292	(000000-	) Ftg,Nipple Galv .375Npt Close	1
13	762254	(000000-	) Ftg,90El Galv .375X.50 F Npt	1
14	762229	(000000-	) Nipple, .50Mx.50B	2
15	54333	(000000-	) Clamp-Wormdrive, 0.31- 0.88D	4
16	762237	(000000-	) Hose, Vyl, Brd, 0.50id Nylon	1
17	87677	(000000-	) Sleeve-Nylon #20 20.0L	1
18	763115	(000000-	) Tie, Cable 6.0 Lg	15
	763116	(000000-	) Tie, Cable 15.25 Lg	10
19	86508	(000000-	) Fitting, Plstc, Str, Pm08/Pm08	1
20	762212	(000000-	) Tee, .50Fx.50Fx.50F	1
21	40145	(000000-	) Ftg,Plstc,Elb,Barb.50Pt-.75Hse	1
22	761524	(000000-	) Clip, Finger Clip, Metal	1
23	762213	(000000-	) Hose, Water	1
24	762291	(000000-	) Ftg-Hyd, Str 8-8	1
25	762269	(000000-	) Filter, Inline Strainer	1
26	762290	(000000-	) Ftg-Hyd, Str 8-8	1
27	63244-1	(000000-	) Ftg, Plstc E90	1
28	762286	(000000-	) Ftg-Hyd, Str 8	1
29	762284	(000000-	) Ftg-Hyd, E90 8	1
30	762285	(000000-	) Ftg-Hyd, E90 8	1
31	768310	(000000-	) Plate, Tool Holder	2
32	762297	(000000-	) Angle	4
33	760660	(000000-	) Clip, Storage Plastic	1
34	768314	(000000-	) Molding, Trim 7.5 Ft	1
35	760599	(000000-	) Bracket, Tool Box	1
36	760672	(000000-	) Angle	1

Fig. 15 - High Pressure Sprayer Pump Group

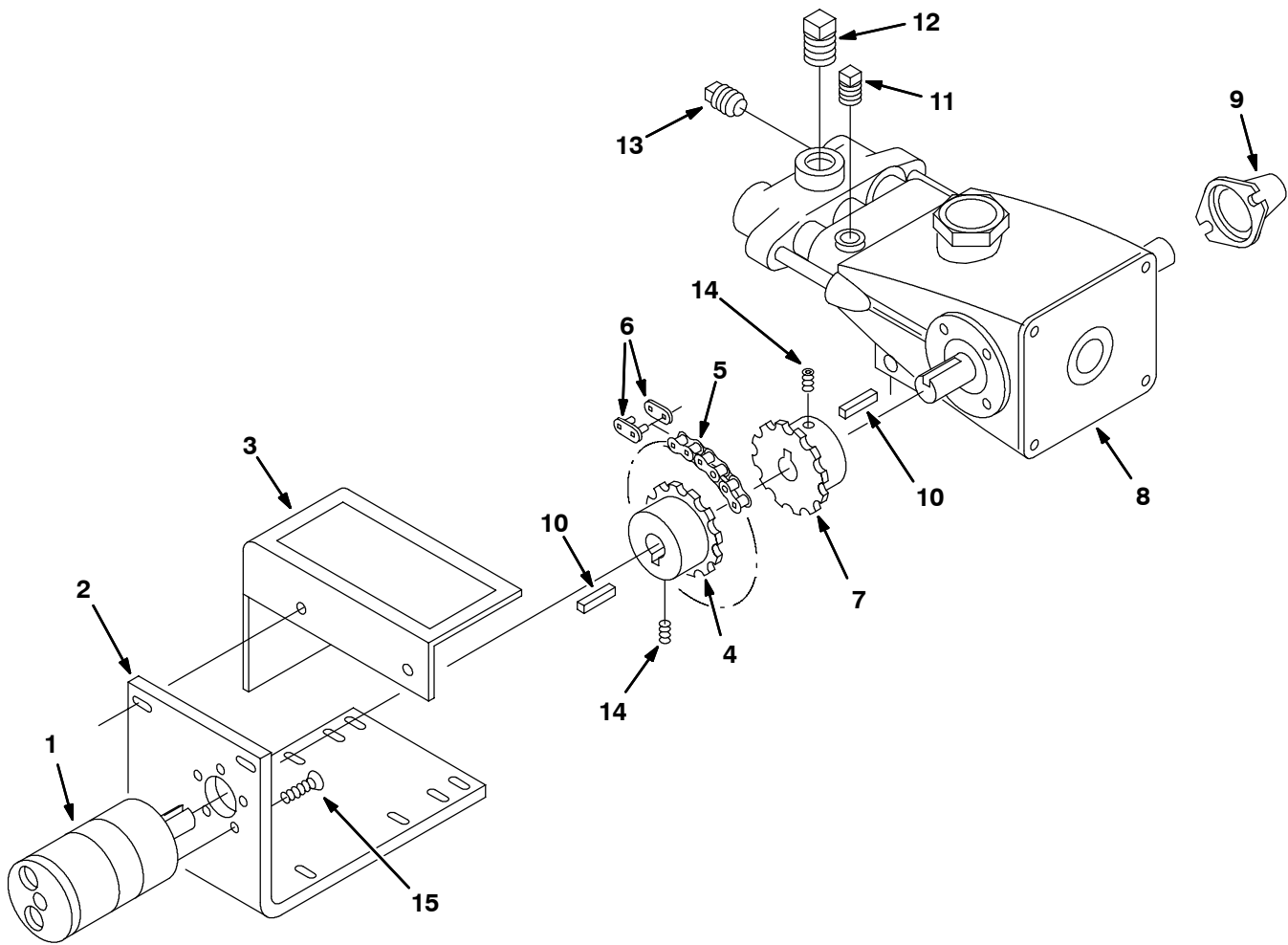
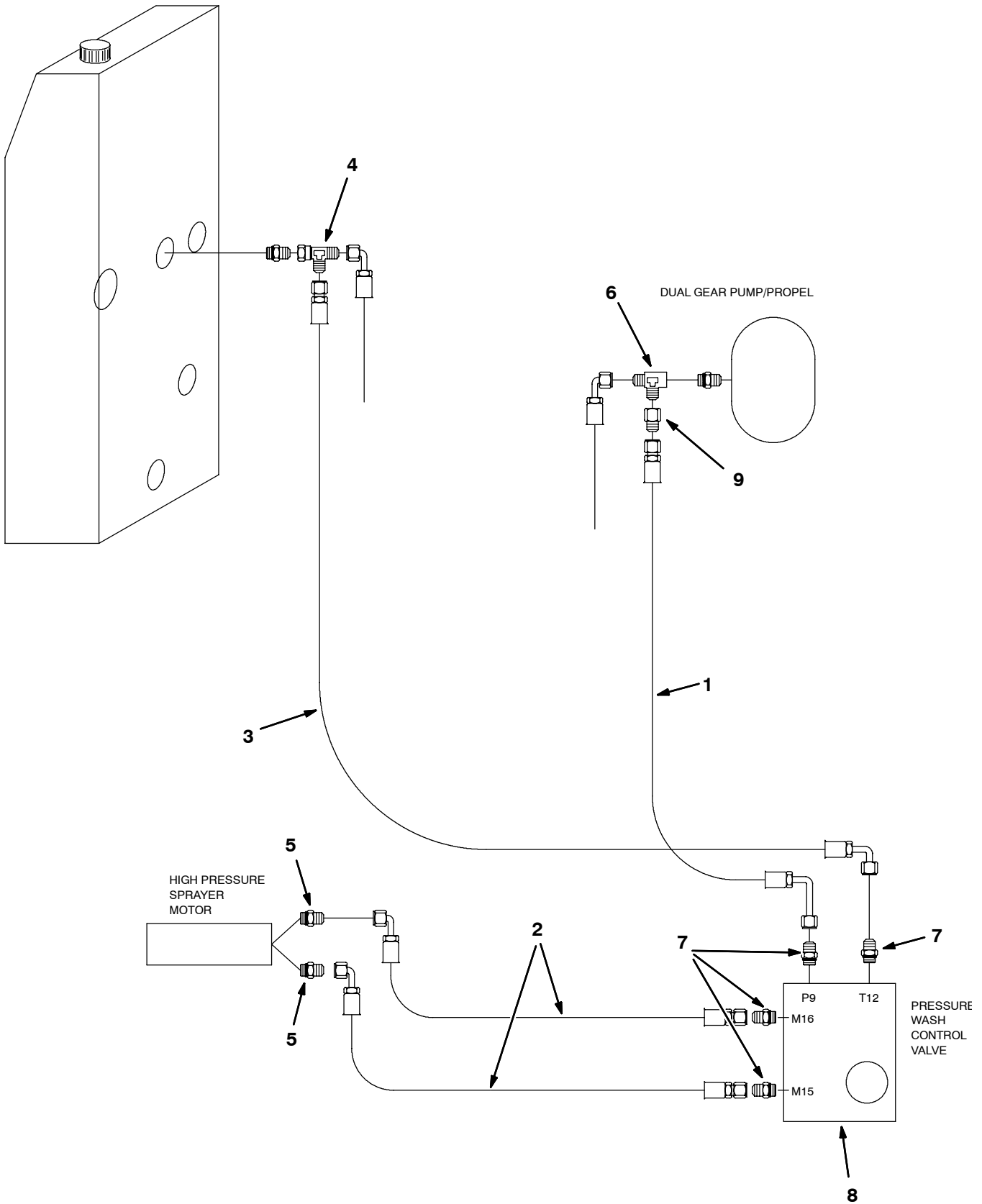


Fig. 15 - High Pressure Sprayer Pump Group

Ref.	Part No.	Serial Number	Description	Qty.
1	762261	(000000-	) Motor, Hyd High Press Sprayer	1
2	762277	(000000-	) Plate, Mount, Hyd Motor	1
3	762279	(000000-	) Guard, Pump Coupling	1
4	762280	(000000-	) Coupling, Motor Press Washer	1
5	33691	(000000-	) Chain,Rlr, 15Pitchs	1
6	33692	(000000-	) Link, Rlr.Chain	1
7	40143	(000000-	) Coupling,Chain,L.H Half,Keyed	1
▽	8	762260	(000000-) Pump, Cat 290 Press Wash (See Breakdowns)	1
▲		40144-4	(000000-) Oil, Crankcase, Cat Pump (For 1 oil change)	1
9	38321	(000000-	) Pump Cover	1
10	40144-6	(000000-	) Key-5Mm	2
11	762281	(000000-	) Ftg-Hyd, Plug	1
12	17521	(000000-	) Ftg-Plug Npt 08Pm Sq Hd	1
13	762282	(000000-	) Ftg-Hyd, Plug	1
14	39322	(000000-	) Screw, Set .38 in	2
15	763148	(000000-	) Screw, Flt, .25-28 X 0.62, Al	5

Fig. 16 - High Pressure Sprayer Hydraulic Hose Group

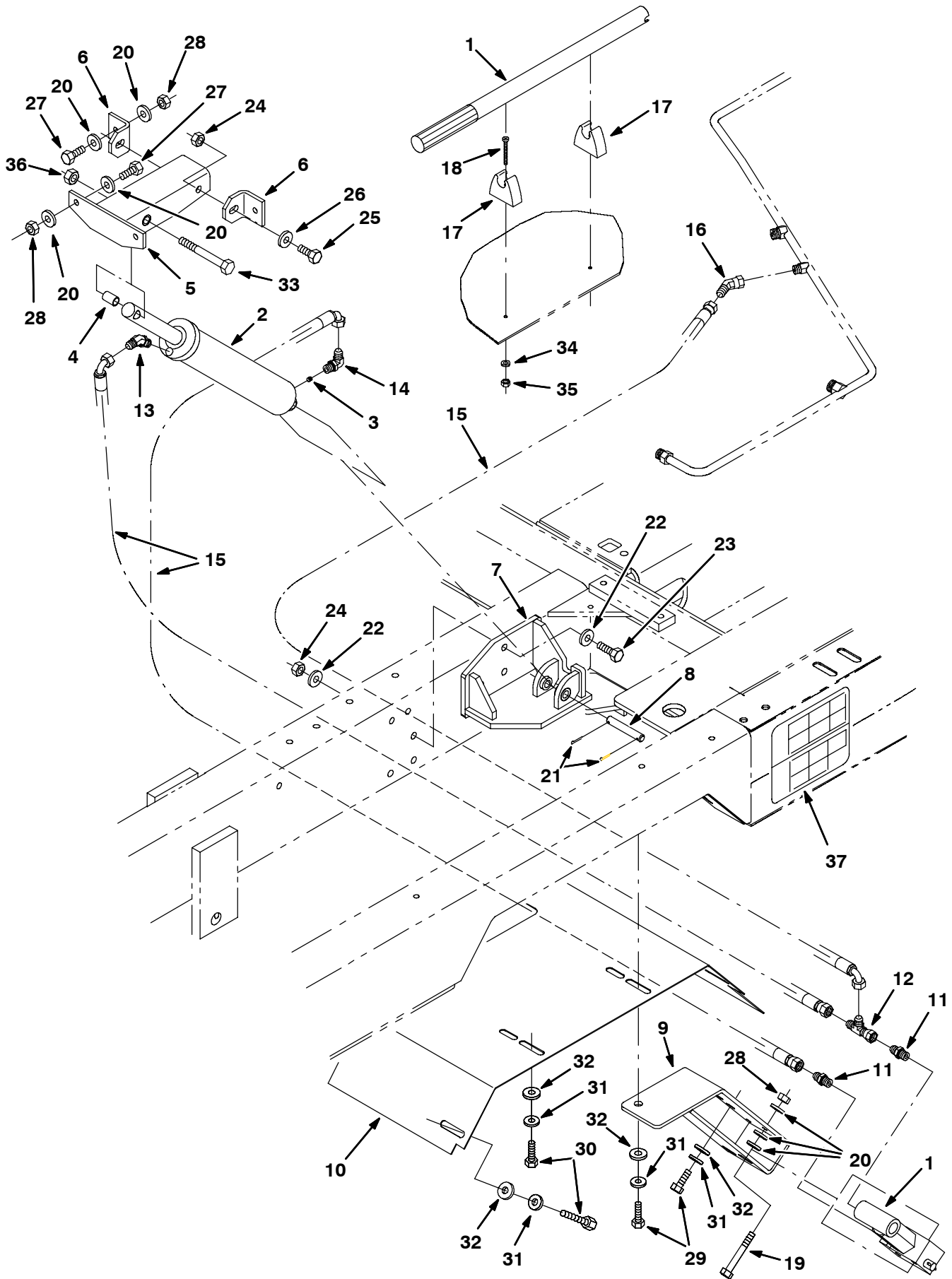




**Fig. 16 - High Pressure Sprayer Hydraulic Hose Group**

<b>Ref.</b>	<b>Part No.</b>	<b>Serial Number</b>	<b>Description</b>	<b>Qty.</b>
1	771083	(000000-	) Hose, Hyd	1
2	762387	(000000-	) Hose, Hyd	2
3	79840	(000000-	) Hose, Hyd	1
4	762435	(000000-	) Ftg-Hyd, Tee	1
5	762433	(000000-	) Ftg-Hyd, Str	2
6	771081	(000000-	) Fitting, Hyd, Tee, Fm10/Fm10/Om10	1
7	762438	(000000-	) Ftg-Hyd, Str	4
8	767009	(000000-	) Valve, Hyd Cntrl Sol-Press Wash (See Breakdowns)	1
9	771082	(000000-	) Fitting, Hyd, Str, Ff10/Fm06	1

Fig. 17 - Cab Jack Kit



**Fig. 17 - Cab Jack Kit**

	<b>Ref.</b>	<b>Part No.</b>	<b>Serial Number</b>	<b>Description</b>	<b>Qty.</b>
▽		9003498	(000000-	) Jack Kit, Cab, Ci	1
▲	1	771059	(000000-	) Pump, Hyd, Piston [Hand] 0.55 2800	1
▲	2	1028063	(000000-	) Cyl, Hyd, 2.0b, 19.0l, 12.0strk, 2500	1
▲	3	771088	(000000-	) Fitting, Hyd, Orifice, 0.040	1
▲	4	363616	(000000-	) Bushing, Sleeve, 0.50b 0.59d 0.95l, Fgl	1
▲	5	1009226	(000000-	) Bracket Wldt, Tilt, Cab	1
▲	6	1009227	(000000-	) Angle	2
▲	7	1007150	(000000-	) Bracket Wldt, Tilt, Cab, Lower	1
▲	8	1009099	(000000-	) Pin, 0.50d X 80mm	1
▲	9	1008571	(000000-	) Bracket Wldt, Tilt, Pump	1
▲	10	1009676	(000000-	) Plate, Fender, Lh	1
▲▽		771070	(000000-	) Hose Kit, Hyd [830-llii Cab Tilt]	1
▲▲	11	771079	(000000-	) Fitting 4-4 Flo	2
▲▲	12	767422	(000000-	) Fitting, Hyd	1
▲▲	13	79874	(000000-	) Fitting, Hyd	1
▲▲	14	762427	(000000-	) Fitting, Hyd, E90, Metric, Jf14/Jm [830]	1
▲▲	15	767255	(000000-	) Hose, Hyd,Tc 04, Ff04str /Ff04e90 , 34.5	3
▲▲	16	1011123	(000000-	) Fitting, Hyd, E45 FM04/FF04	1
▲	17	760660	(000000-	) Clip	2
▲	18	06935	(000000-	) Screw, Pan, M05 X 0.8 X 25, 4.8	2
▲	19	06964	(000000-	) Screw, Hex, M10 X 1.5 X 70, 8.8	2
▲	20	32485	(000000-	) Washer, Flat, 0.38, Sae	14
▲	21	08179	(000000-	) Pin, Cotter, .094 X 1.00	2
▲	22	32486	(000000-	) Washer, Flat, 0.50, Sae	6
▲	23	06969	(000000-	) Screw, Hex, M12 X 1.75 X 40, 8.8	3
▲	24	08711	(000000-	) Nut, Hex, Lock, M12 X 1.75,NI	5
▲	25	06968	(000000-	) Screw, Hex, M12 X 1.75 X 35, 8.8	2
▲	26	32493	(000000-	) Washer, Flat, .50 Std	2
▲	27	06963	(000000-	) Screw, Hex, M10 X 1.5 X 60, 8.8	4
▲	28	41430	(000000-	) Nut, Hex, Lock, M10 X 1.5, NI	6
▲	29	39285	(000000-	) Screw, Hex, M10 X 1.5 X 40, 8.8	2
▲	30	03192	(000000-	) Screw, Hex, M10 X 1.5 X 30, 8.8	2
▲	31	763042	(000000-	) Washer, Flat, Belleville, M10	4
▲	32	763072	(000000-	) Washer, Flat, M10, Fendr	5
▲	33	32895	(000000-	) Screw, Hex, .50-13 X 3.50, G5	1
▲	34	19066	(000000-	) Washer, Flat, #10	2
▲	35	06549	(000000-	) Nut, Hex, Lock, M5 X 0.80, NI	2
▲	36	32985	(000000-	) Nut, Hex, Lock, .50-13, NI	1
▲	37	1009154	(000000-	) Label, Instr, Tilt, Cab	1

Fig. 18 - Left Hand Operator Group

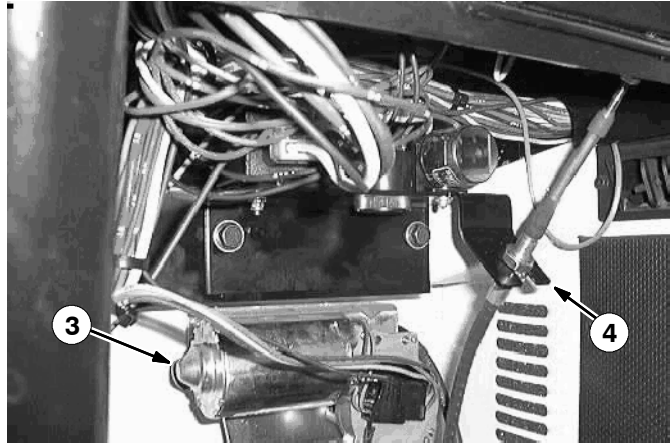
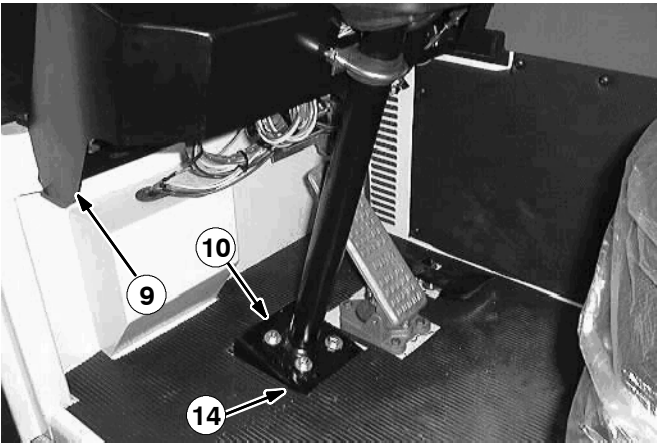
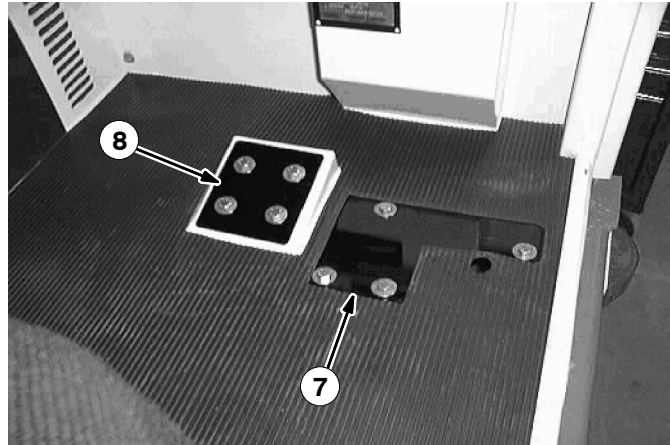
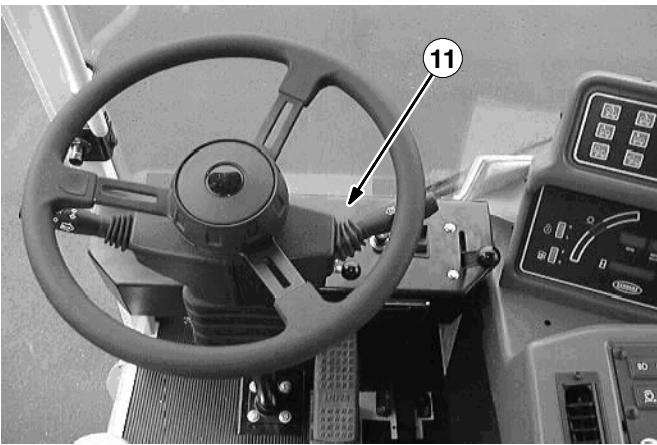
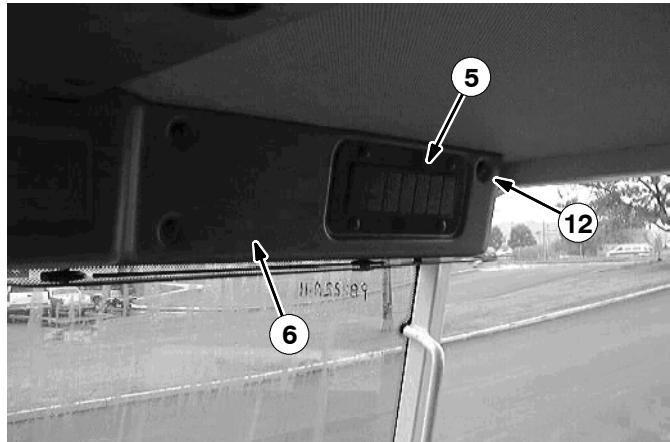
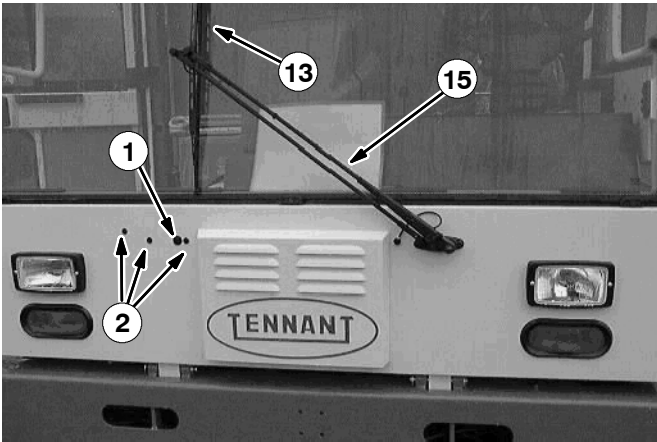
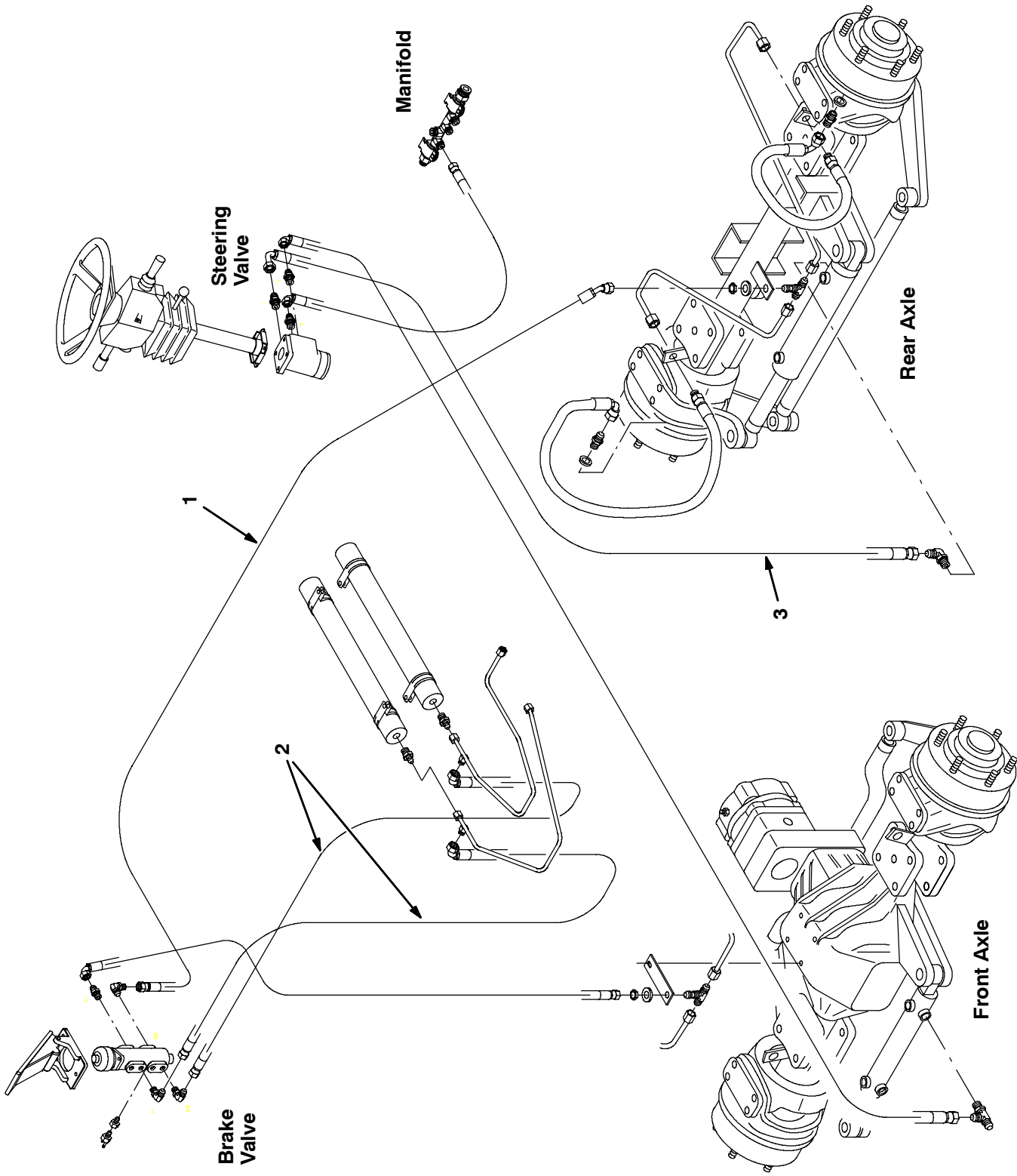


Fig. 18 - Left Hand Operator Group

Ref.	Part No.	Serial Number	Description	Qty.
1	75428	(000000-	) Plugbtn .75H .03-.12 Blacknyl	1
2	768472	(000000-	) Plugbtn, 0.375H, .172, Blk	3
3	761867	(000000-	) Motor, Ele, Wiper, 12vdc Deg	1
4	768423	(000000-	) Bracket, Throttle, Lh	1
5	768445	(000000-	) Plate, Switch Blank	1
6	768469	(000000-	) Panel, Console Upper L.H.	1
7	768477	(000000-	) Cover, Floor Plate	1
8	768476	(000000-	) Cover, Steering Column	1
9	1012145	(000000-	) Panel, Console, Steering, Lh	1
10	768496	(000000-	) Bracket, Steering Column, Lh	1
11	1012158	(000000-	) Label Set, Cab, Lh	1
12	72970	(000000-	) Rivet, Plstc, .250d X 0.898	4
13	761885	(000000-	) Blade, Wiper	1
14	768497	(000000-	) Insert, M8 X 1.25	4
15	769615	(000000-	) Arm, Wiper, Panel, 28.0	1
	56992	(000000-	) Button, Plug, 0.50h .03-.12 [Black Ny]	1
	57167	(000000-	) Button, Plug, 0.62h .03-.12 [Black Ny]	1

**Fig. 19 - Hydraulic Hose Group, Left Hand Steering**



**Fig. 19 - Hydraulic Hose Group, Left Hand Steering**

<b>Ref.</b>	<b>Part No.</b>	<b>Serial Number</b>	<b>Description</b>	<b>Qty.</b>
1	9000735	(000000-	) Hose, Hyd,Tc 04, Ff04e90 /Jf04e45 ,204.0	1
2	762387	(000000-	) Hose, Hyd,Tc 06, Ff06str /Ff06e90 , 64.0	1
3	9000736	(000000-	) Hose, Hyd,Tc 06, Ff06str /Ff06e90 ,190.0	1

Fig. 20 - Cab Air Conditioner Heater Group

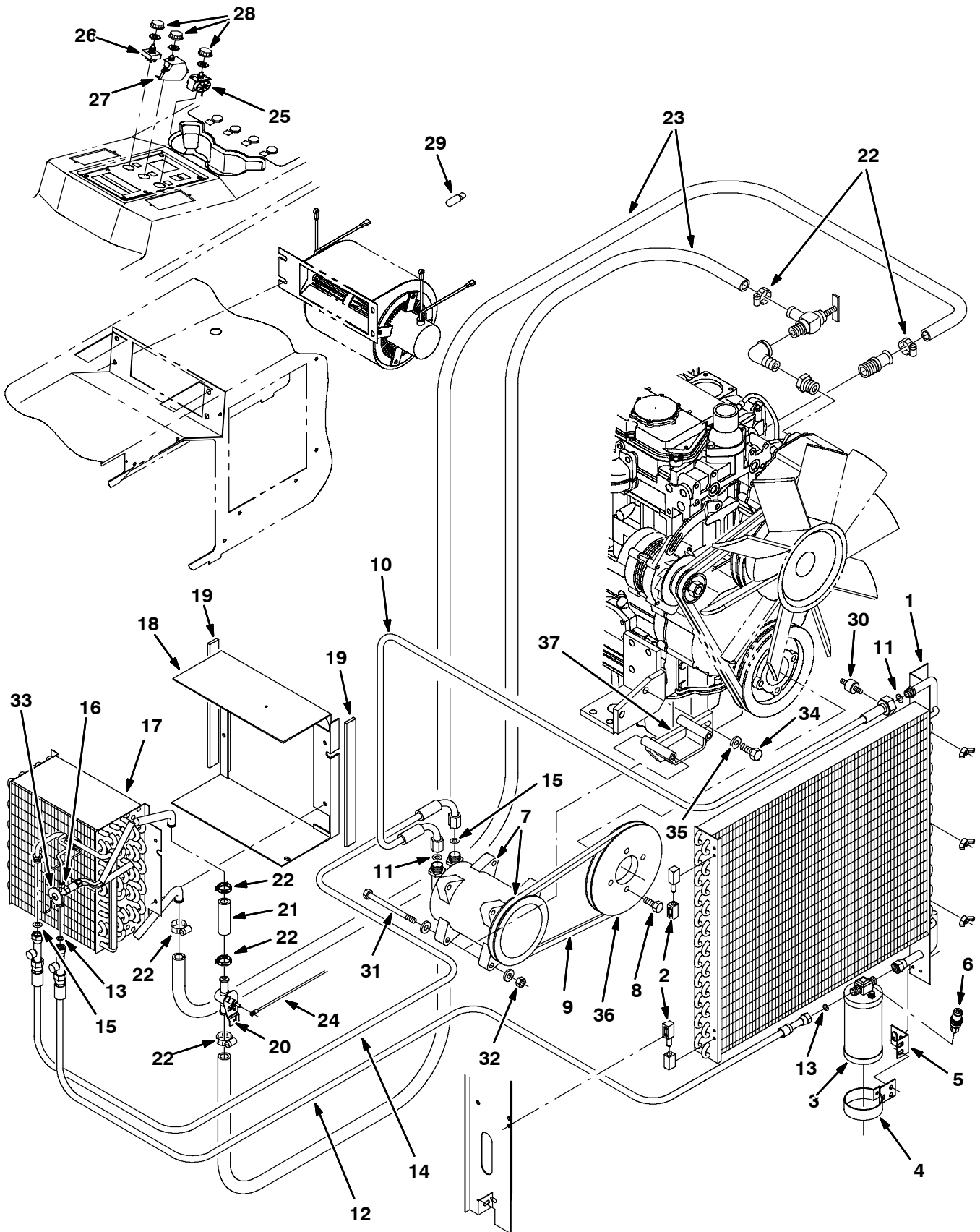
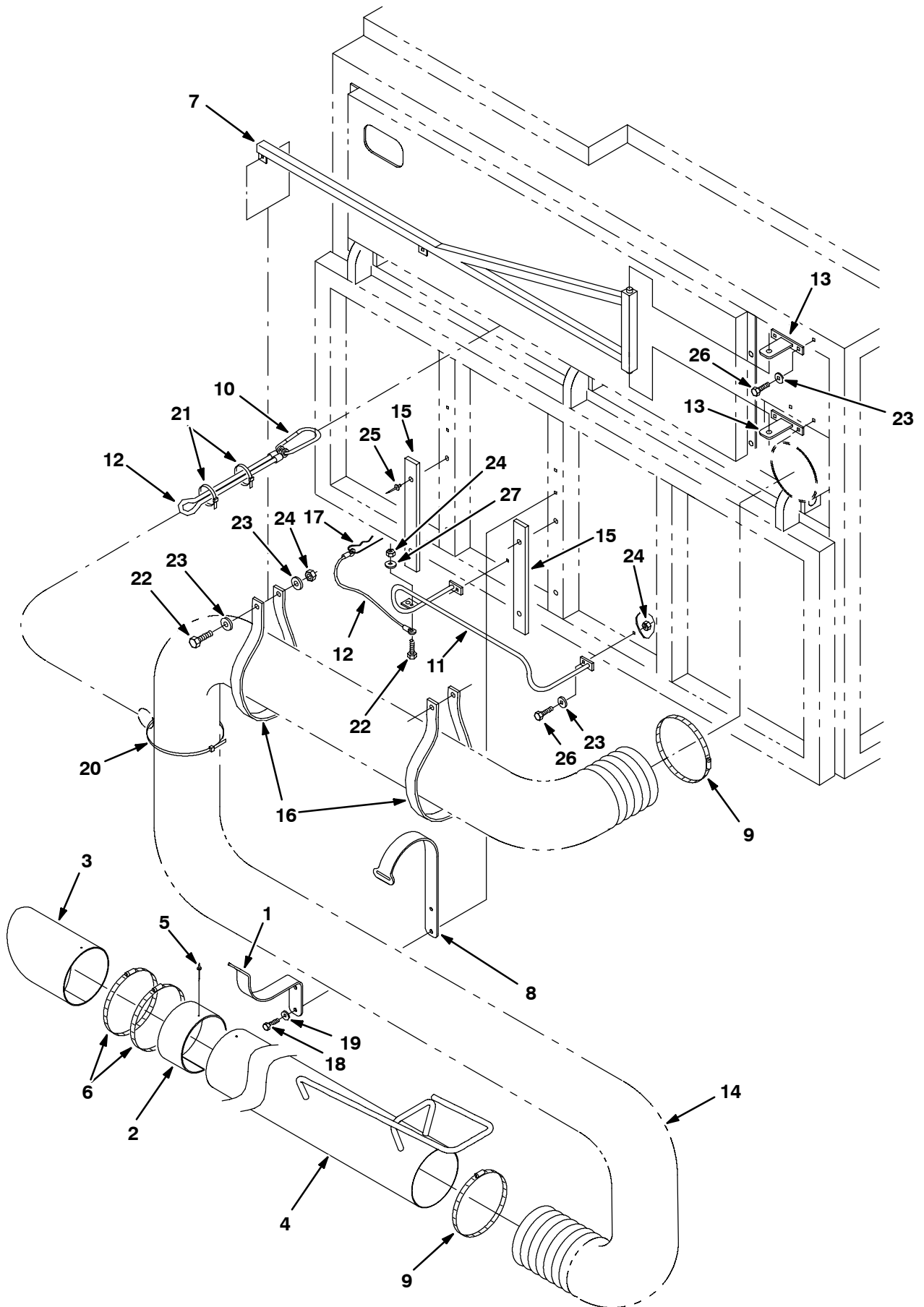




Fig. 20 - Cab Air Conditioner Heater Group

Ref.	Part No.	Serial Number	Description	Qty.	
1	768416	(000000-	) Coil, Condenser	1	
2	761963	(000000-	) Hinge	2	
3	769021	(000000-	) Dryer,Air-Cond	1	
4	769029	(000000-	) Clamp, Receiver, Dryer	1	
5	769030	(000000-	) Bracket, Receiver, Dryer	1	
6	769042	(000000-	) Switch, Pressure	1	
▽	7	769020	(000000-	) Compressor,Air-Cond	1
▲	388532	(000000-	) Pulley	1	
8	39663	(000000-	) Screw, Hex, .44-20 X 1.00, 5	4	
9	764209	(000000-	) Belt	1	
10	767522	(000000-	) Hose,Ac	1	
11	761961	(000000-	) Seal, Oring	2	
12	767523	(000000-	) Hose,Ac	1	
13	761960	(000000-	) Seal, Oring	2	
14	767521	(000000-	) Hose,Ac	1	
15	761962	(000000-	) Seal, Oring	2	
16	761959	(000000-	) Seal, Oring	1	
17	769023	(000000-	) Coil, Air-Cond, Heater	1	
18	769039	(000000-	) Bracket, Coil	1	
19	769040	(000000-	) Seal, Weatherstrip	2	
20	761950	(000000-	) Valve, Water	1	
21	769038	(000000-	) Hose, Heater	1	
22	63810	(000000-	) Clamp, Wormdrive	6	
23	769046	(000000-	) Hose, Heater	2	
24	761946	(000000-	) Cable, Push-Pull	1	
25	761927	(000000-	) Cable, Rotary Control	1	
26	764212	(000000-	) Switch, Cold Control	1	
27	761924	(000000-	) Switch, Fan, 3-Speed	1	
28	761926	(000000-	) Knob, Switch	3	
29	222290	(000000-	) Diode, Electric Plug	1	
30	82661	(000000-	) Isolator	3	
31	763096	(000000-	) Bolt, M10x130	2	
32	08166	(000000-	) Nut, Hex, Stover, M10 X 1.5	2	
33	761965	(000000-	) Valve, Thermal Expansion	1	
34	41346	(000000-	) Screw, Hex	2	
35	763043	(000000-	) Washer, Bellville	2	
36	769593	(000000-	) Pulley, Belt, V	2	
37	1008326	(004642-	) Bracket Wldt, Compressor	1	

Fig. 21 - Vacuum Wand Group

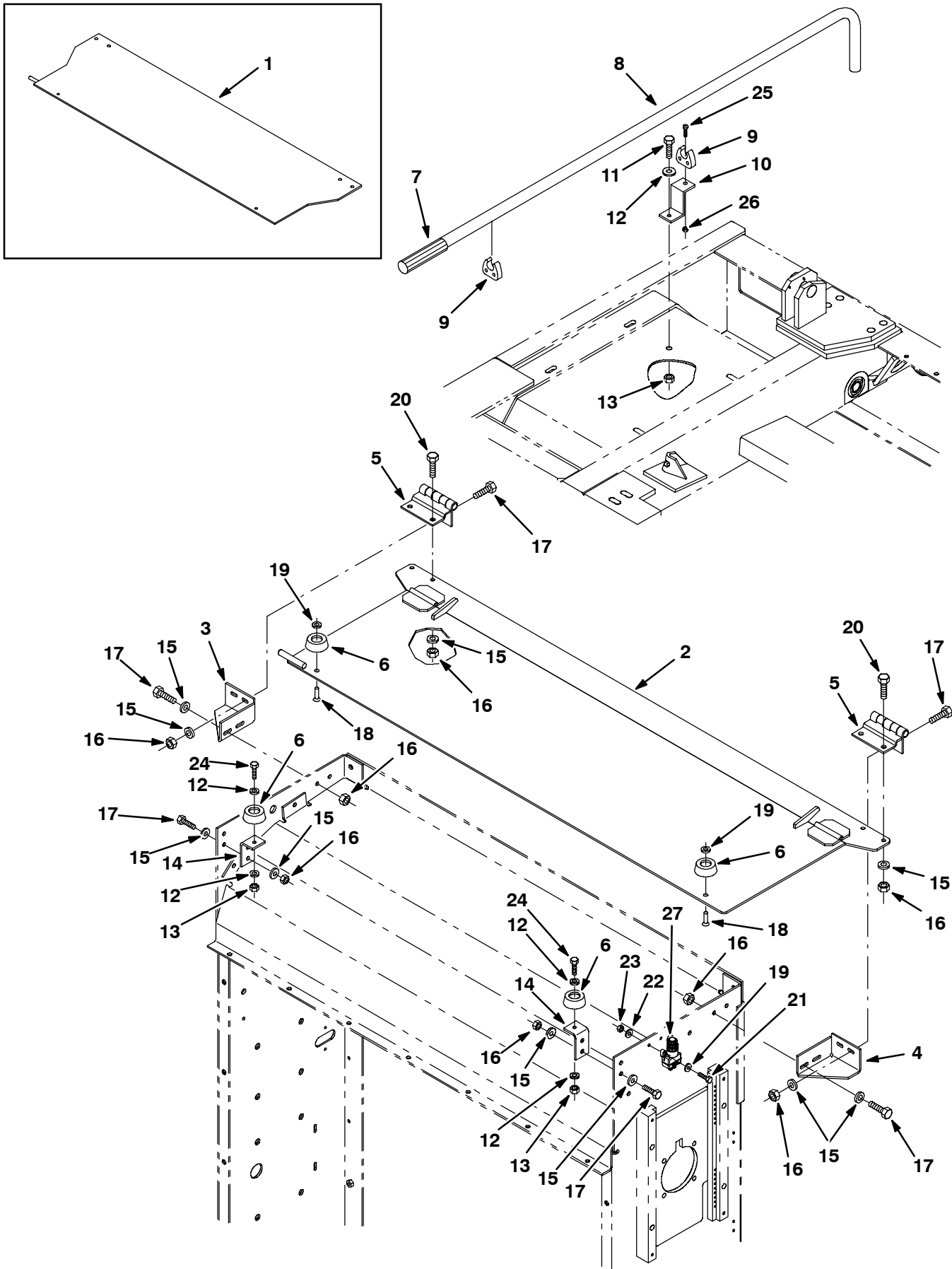


**Fig. 21 - Vacuum Wand Group**

NOTE: Vacuum Wand kit, TENNANT Part Number 770173 includes Fig. 21, and Fig. 22.

Ref.	Part No.	Serial Number	Description	Qty.
1	760591	(000000-	) Bracket, Sppt, Hose, Vacuum	2
2	770682	(000000-	) Tube, Adaptor, Wand	1
3	770696	(000000-	) Nozzle, Rubber, Vac Wand	1
4	765650	(000000-	) Wand, Vacuum, Extended	1
5	763075	(000000-	) Rivet, Blind, .156d X 0.71 X .31d	4
6	49891	(000000-	) Clamp, Hose, Wormdrive, 5.56-6.50d, .56w	2
7	770155	(000000-	) Boom Wldt, Vacuum Wand	1
8	768717	(000000-	) Retainer	1
9	763212	(000000-	) Clamp	2
10	761233	(000000-	) Chain, Snap	1
11	760991	(000000-	) Tube Wldt, Sppt, Rear	1
12	57702	(000000-	) Cable, .06d, 12.0l, .26eye /.26eye	2
13	760507	(000000-	) Support, Hose, Vacuum	2
14	760509	(000000-	) Hose	1
15	760640	(000000-	) Strip, Nylon, 0.38 01.5w 11.8b 2/.2h	2
16	760649	(000000-	) Strap, Wand, Vacuum	2
17	761490	(000000-	) Pin, Hair, Dbl	1
18	763045	(000000-	) Screw, Hex, M8 X 1.25 X 20, Fmg	1
19	763041	(000000-	) Washer, Belleville, M08	1
20	32815	(000000-	) Tie, Cable, Nyl, 28.3l .50w 8.0 Max D	1
21	763114	(000000-	) Tie, Cable, 11.3l, 2.75d Max	2
22	06943	(000000-	) Screw, Hex, M6 X 1.0 X 20, 8.8	3
23	32490	(000000-	) Washer, Flat, 0.25 Std	10
24	08708	(000000-	) Nut, Hex, Lock, M6 X 1.0, NI	4
25	68567	(000000-	) Rivet, Blind, .188d X 0.53 X .62d, Alm	5
26	09010	(000000-	) Screw, Hex, M8 X 1.25 X 25, Ss	6
27	19066	(000000-	) Washer, Flat, #10	1

Fig. 22 - Vacuum Wand Door Group

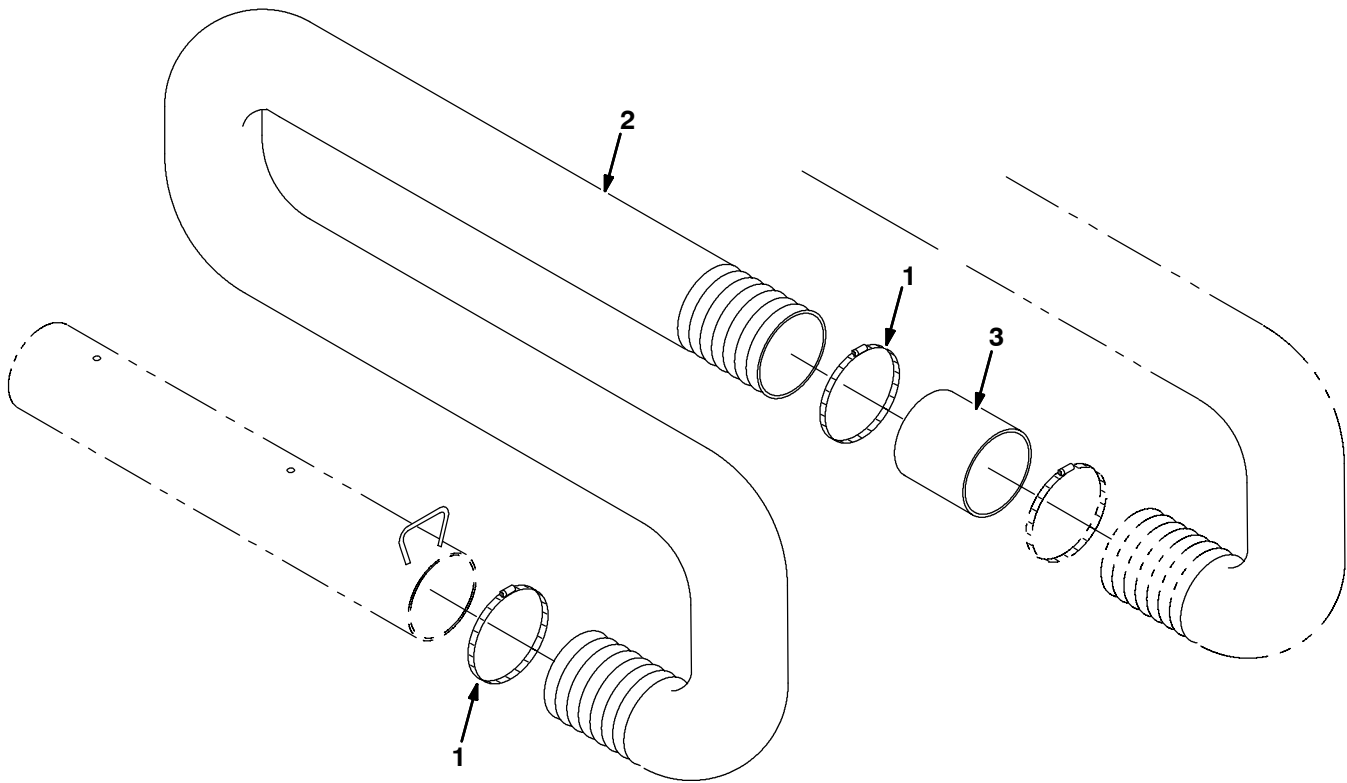


**Fig. 22 - Vacuum Wand Door Group**

NOTE: Vacuum Wand kit, TENNANT Part Number 770173 includes Fig. 21, and Fig. 22.

Ref.	Part No.	Serial Number	Description	Qty.
1	760726	(000000-007136 )	Door, Weldt Vacuum Door	1
2	1033993	(007137-	Door Wldt, Vacuum Wand	1
3	1014045	(000000-	Bracket, Mtg, Hinge, Rh	1
4	1014044	(000000-	Bracket, Mtg, Hinge, Lh	1
5	1013454	(000000-	Hinge, .31pin .15, Offset, 3.5l 4/0.34h	2
6	364614	(000000-	Bumper, Rubber Recessed	4
7	03292B	(000000-	Grip, Handle-Rnd .72ld X 5.0L	1
8	760653	(000000-	Tube, Vac Wand Door	1
9	760660	(000000-	Clip,Finger Grip	2
10	760661	(000000-	Bracket,Clip Mount	1
11	06942	(000000-	Screw, Hex, M6 X 1.0 X 16, 8.8	1
12	32483	(000000-	Washer, Flat, 0.25 Sae	5
13	08708	(000000-	Nut, Hex, Lock, M6 X 1.0, NI	3
14	1007738	(000000-	Bracket	2
15	32490	(000000-	Washer, Flat, 0.25 Std	20
16	08709	(000000-	Nut, Hex, Lock, M8 X 1.25, NI	16
17	39277	(000000-	Screw, Hex, M8 X 1.25 X 25, 8.8	12
18	763127	(000000-	Rivet, Blind, .188d X 0.69 X .62d	2
19	19065	(000000-	Washer, Flat, #08	4
20	16931	(000000-	Screw, Hex, M8 X 1.25 X 20, 8.8	4
21	06928	(000000-	Screw, Pan, M4 X 0.7 X 20, 4.8	2
22	32978	(000000-	Washer, Lock, Int, #08	2
23	02850	(000000-	Nut, Hex, Lock, M4 X 0.7, NI	2
24	06943	(000000-	Screw, Hex, M6 X 1.0 X 20, 8.8	2
25	06935	(000000-	Screw, Pan, M5 X 0.8 X 25, 4.8	2
26	06549	(000000-	Nut, Hex, Lock, M5 X 0.8, NI	2
27	1010413	(000000-	Switch	1

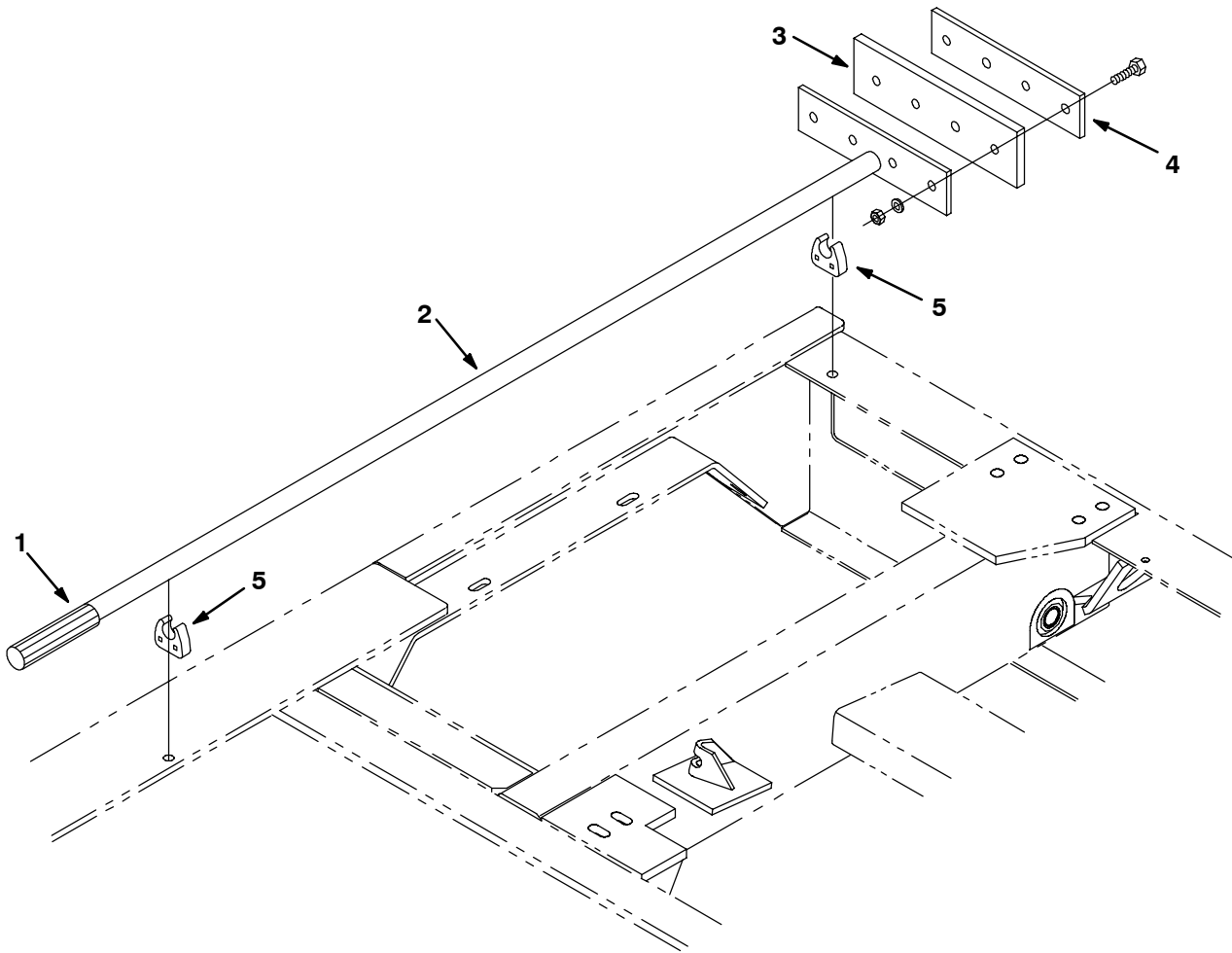
Fig. 23 - Vacuum Wand Extension Group



**Fig. 23 - Vacuum Wand Extension Group**

<b>Ref.</b>	<b>Part No.</b>	<b>Serial Number</b>	<b>Description</b>	<b>Qty.</b>
1	763212	(000000-	) Clamp, 6" Dia Bridge R.S.	2
2	760509	(000000-	) Hose, 6" Dia x 150 R.S.	1
3	760665	(000000-	) Tube, Coupler Vac Wand	1

**Fig. 24 - Hopper Cleanout Tool Kit**

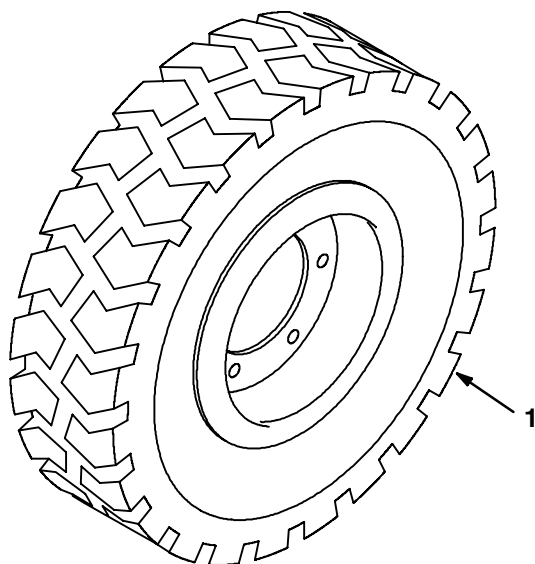


08705

Ref.	Part No.	Serial Number	Description	Qty.
▽	760078	(000000-	) Hopper Cleanout Kit	1
▲▽	79518	(000000-	) Sludge Removal Tool Assy.	1
▲▲	1 03292B	(000000-	) Grip, Handle-Rnd .72ld X 5.0L	1
▲▲	2 79517	(000000-	) Handle Weldt.,Sludge Removal	1
▲▲	3 79515	(000000-	) Skirt.,.25T3.0W11.0L 4/.31Hcomc	1
▲▲	4 79508-1	(000000-	) Strip,.11T2.5W10.0L 4/.31Hcomc	1
▲	5 760660	(000000-	) Clip,Finger Grip	2



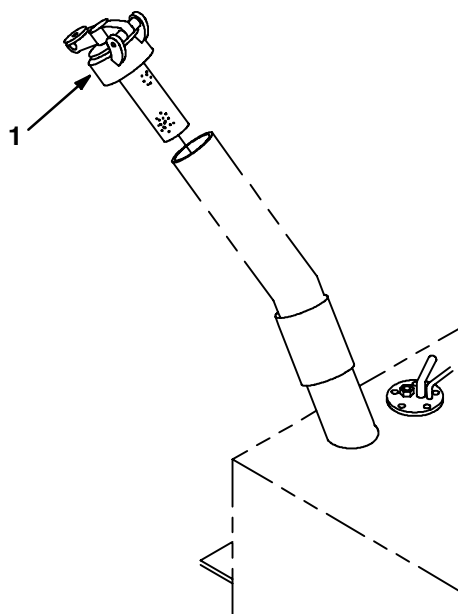
Fig. 25 - Foam Filled Tire Group



09208

Ref.	Part No.	Serial Number	Description	Qty.
1	760105	(000000-	) Tire Assy, Foam Filled, (Bias Ply)	1
1	761795	(000000-	) Tire Assy, Foam Filled, (Radial)	1

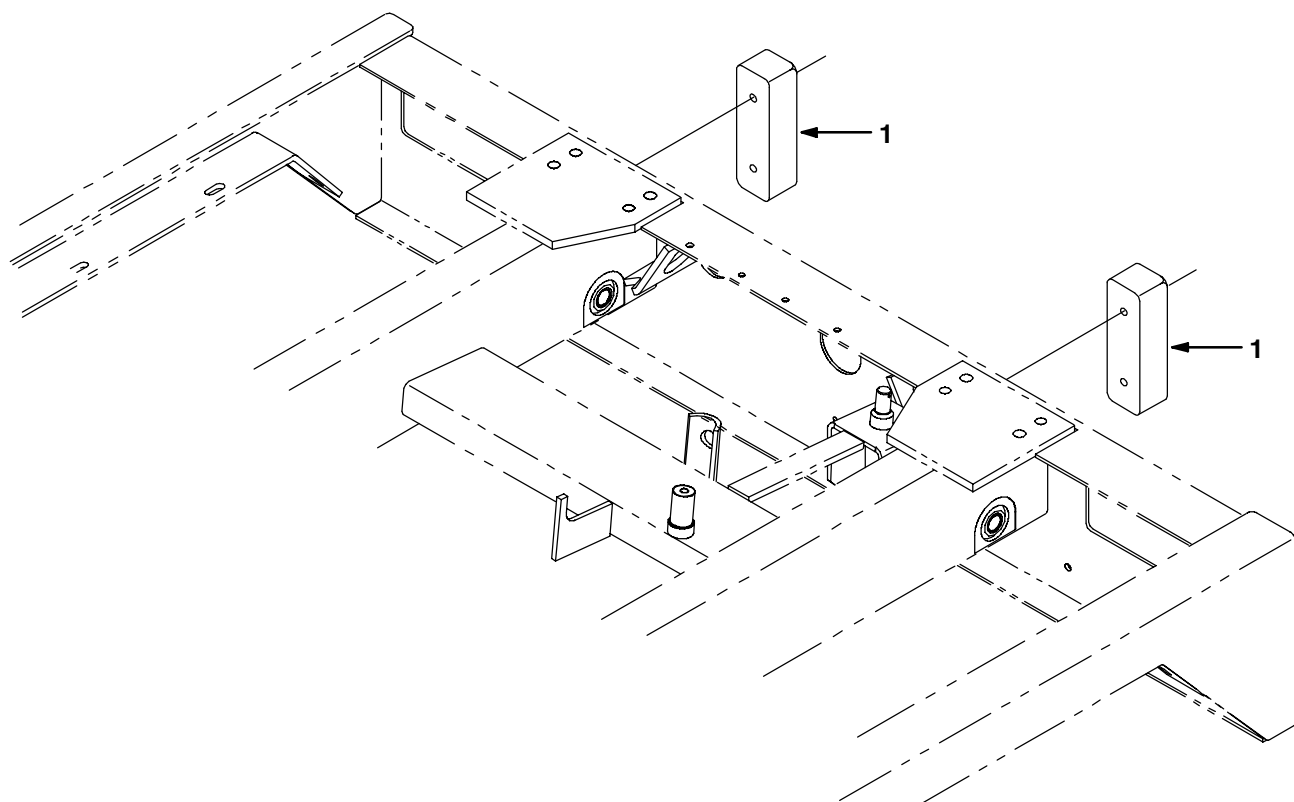
**Fig. 26 - Protectoseal Fuel Cap Group**



09209

<b>Ref.</b>	<b>Part No.</b>	<b>Serial Number</b>	<b>Description</b>	<b>Qty.</b>
1	02506-6	(000000- )	Cap, Fuel, Protectoseal	1

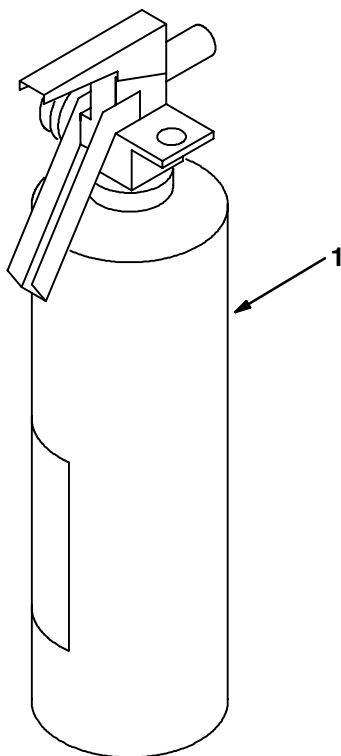
Fig. 27 - Rear Rubber Bumper Kit



351971

Ref.	Part No.	Serial Number	Description	Qty.
▽	760073	(000000-	) Rear Rubber Bumper Kit	1
▲	1 770504	(000000-	) Bumper, Rear Rubber	2

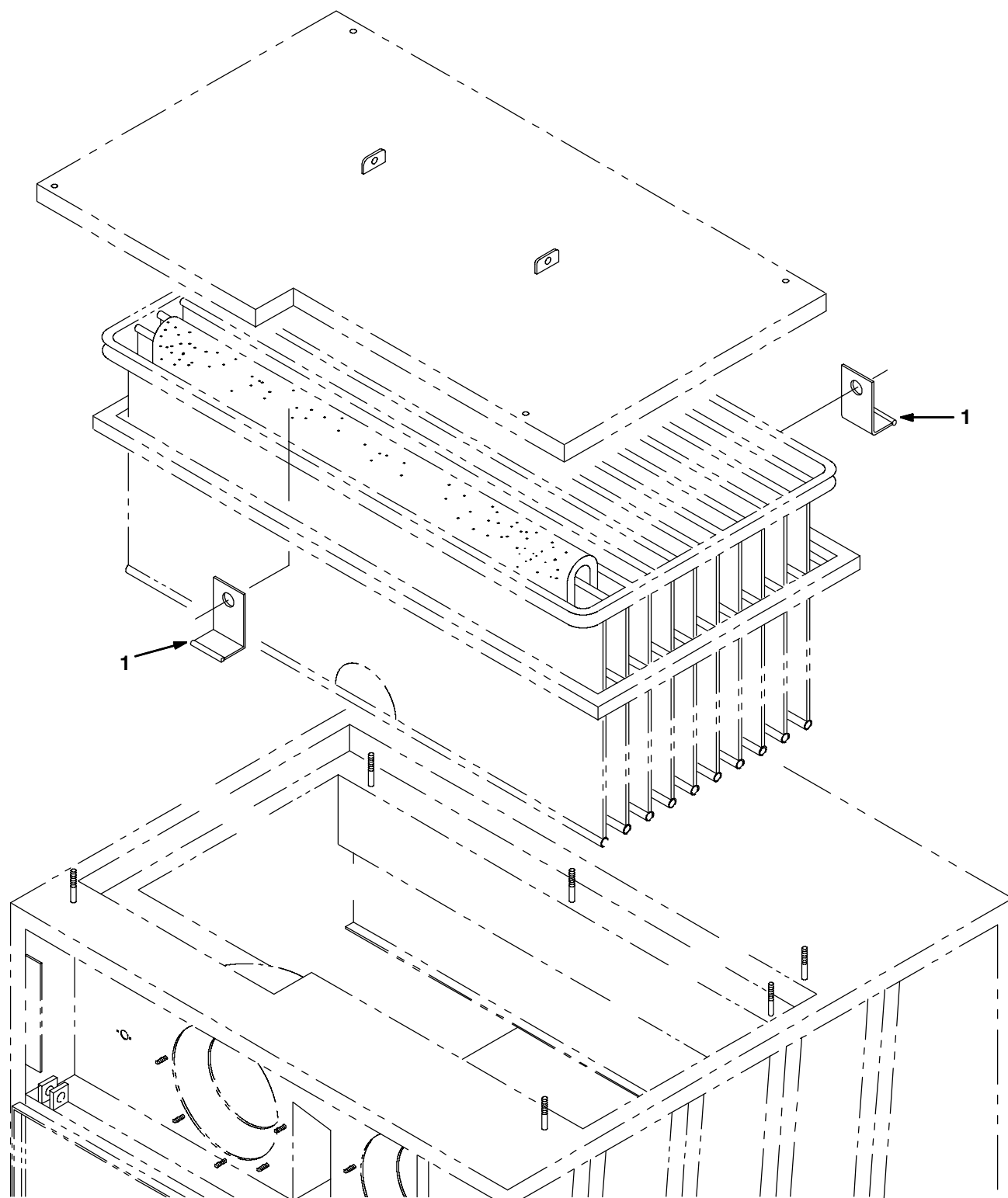
**Fig. 28 - Fire Extinguisher Group**



07516

<b>Ref.</b>	<b>Part No.</b>	<b>Serial Number</b>	<b>Description</b>	<b>Qty.</b>
1	25312	(000000-	) Extinguisher, Fire	1

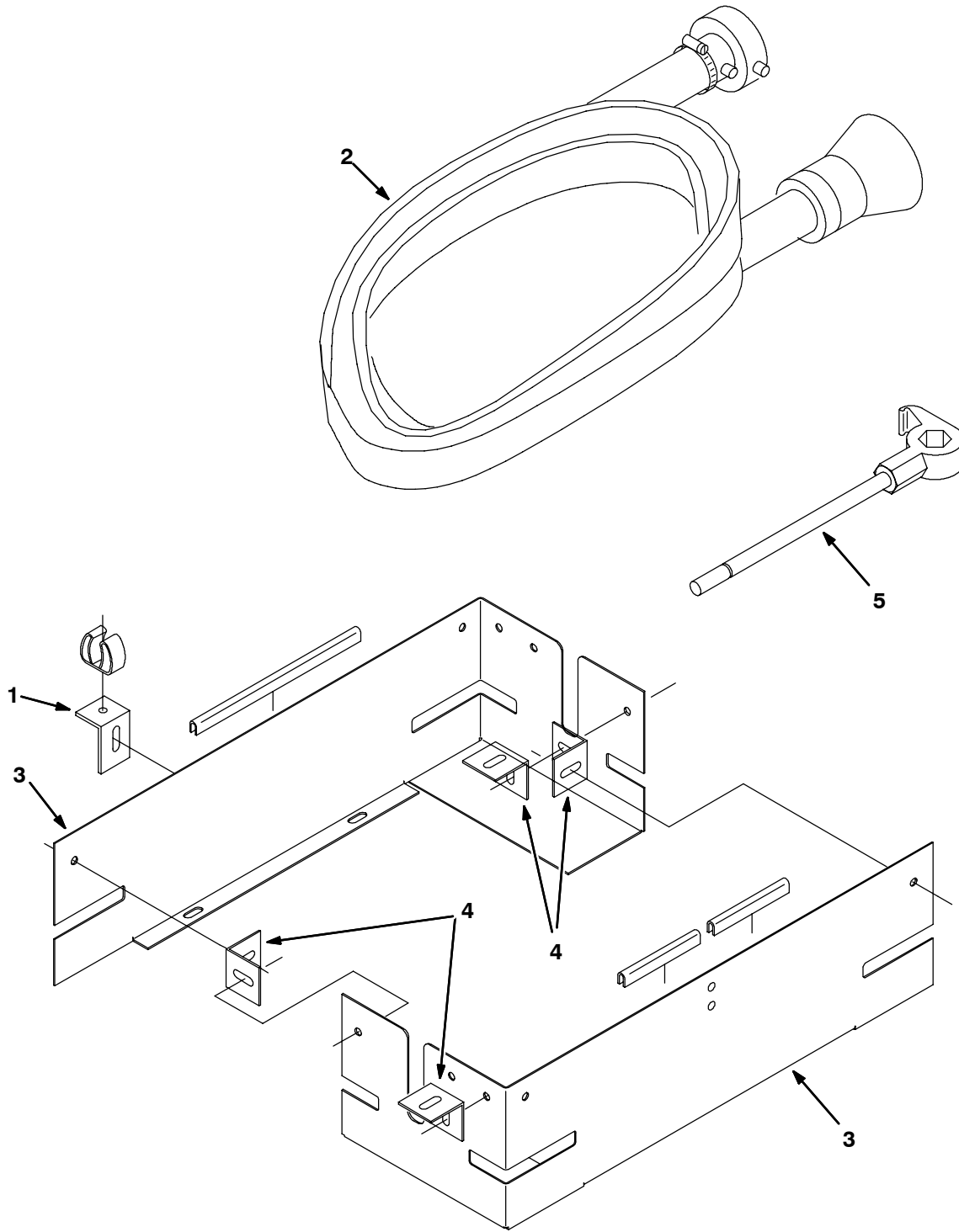
Fig. 29 - Filter Bag Lift Kit



10953

Ref.	Part No.	Serial Number	Description	Qty.
▽	761501	(000000-	) Lift Kit, Filter Bag	1
▲	1 761791	(000000-	) Angle, Weld't, Filterbag Lift	2

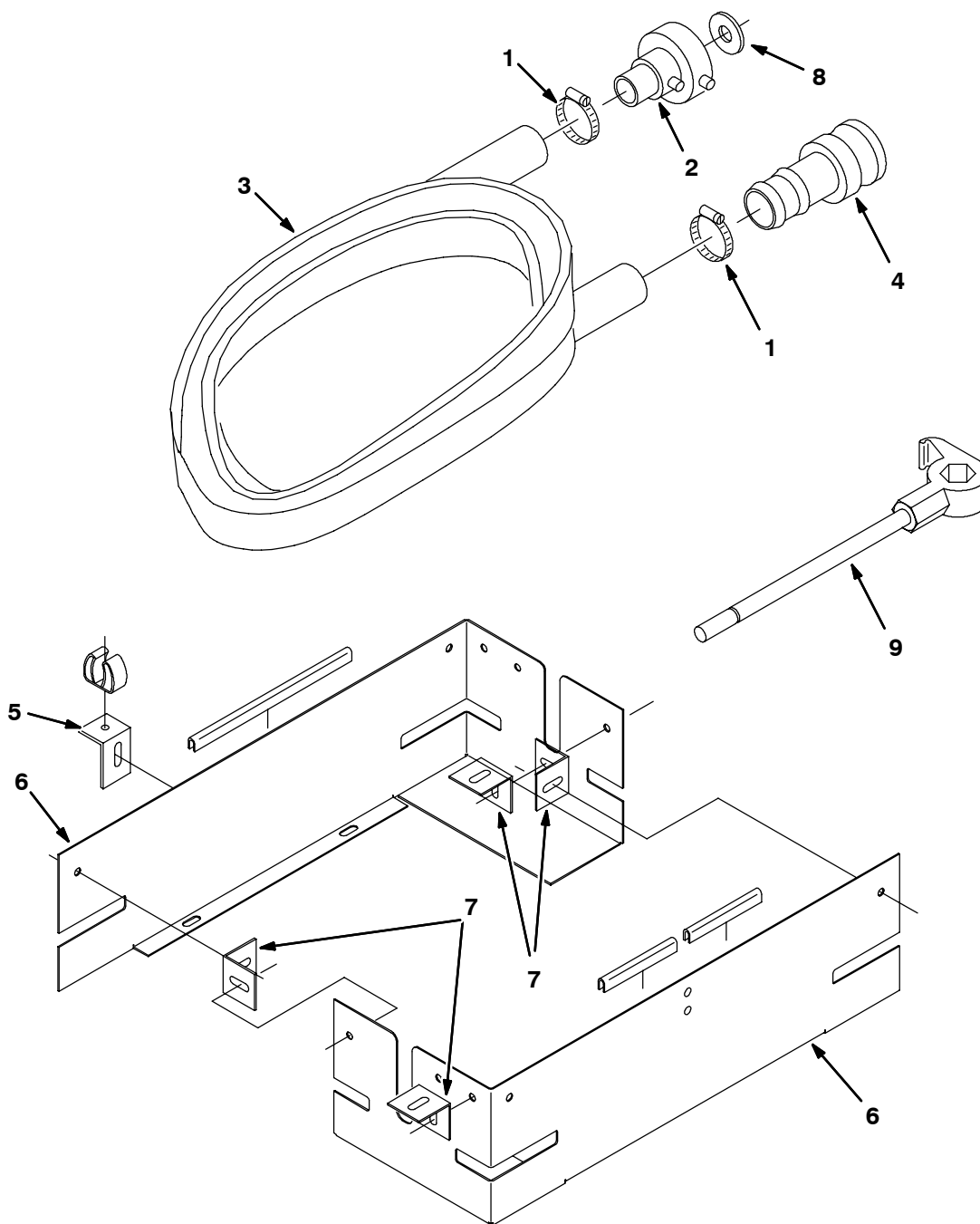
**Fig. 30 - Hydrant Wash Down Group**



351223

Ref.	Part No.	Serial Number	Description	Qty.
1	760672	(000000-	) Angle	1
2	762253	(000000-	) Hose Assy	1
3	768310	(000000-	) Plate, Tool Holder	2
4	762297	(000000-	) Angle	4
5	768318	(000000-	) Wrench, Hydrant	1

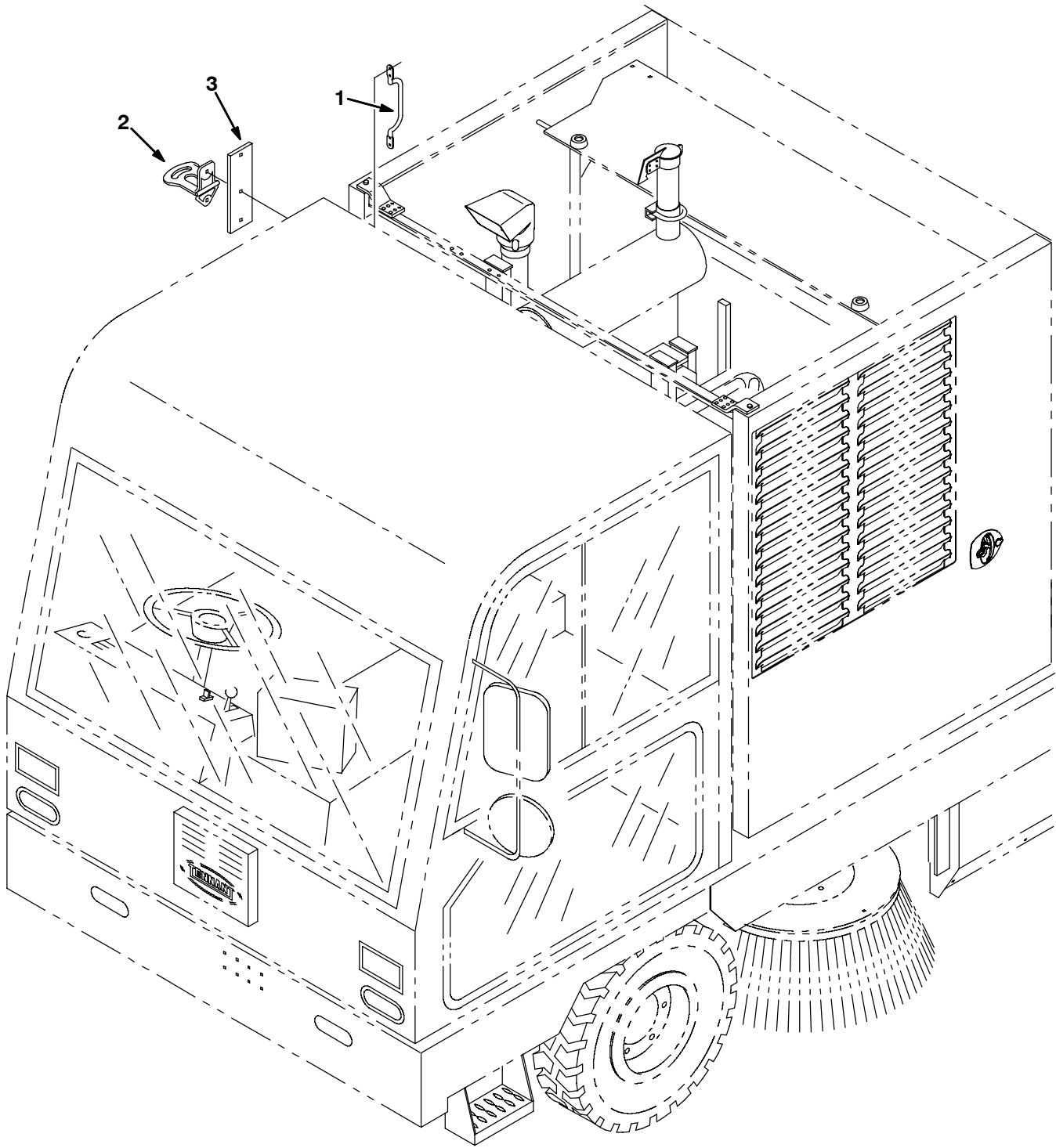
Fig. 31 - Hydrant Hose Group



09207

Ref.	Part No.	Serial Number	Description	Qty.
1	762207	(000000-	) Clamp, 1.25-2.12 Dia Power Gear	2
2	762201	(000000-	) Coupling, Tank Fill Hose	1
3	762210	(000000-	) Hose,Water Fill	1
4	768322	(000000-	) Adaptor, Cam Coupler	1
5	760672	(000000-	) Angle	1
6	768310	(000000-	) Plate, Tool Holder	2
7	762297	(000000-	) Angle	4
8	768325	(000000-	) Washer, Flat, 0.81b 2.00d .15, Ss	1
9	768318	(000000-	) Wrench, Hydrant	1

**Fig. 32 - Engine Access Step Kit**

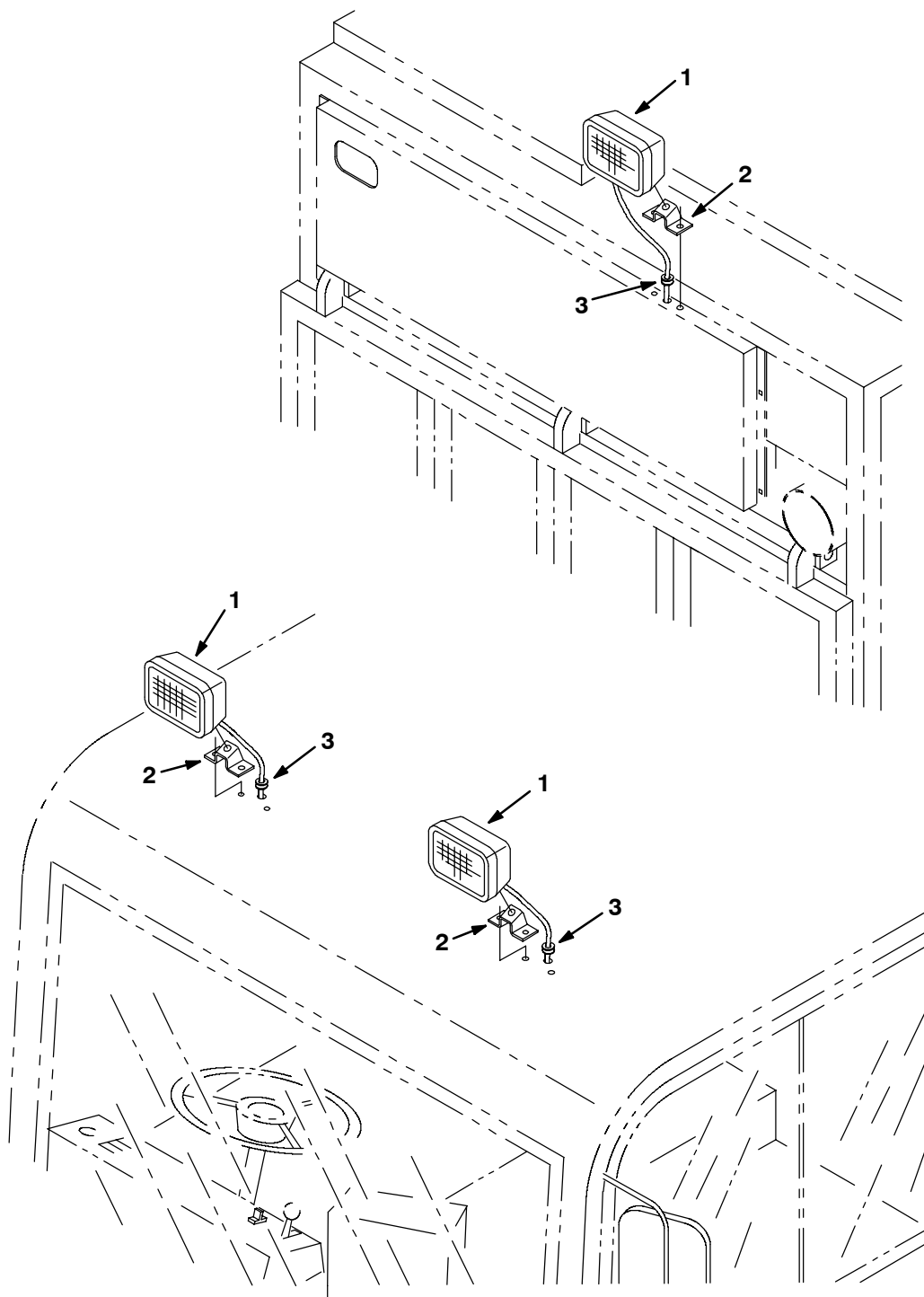


351990

	<b>Ref.</b>	<b>Part No.</b>	<b>Serial Number</b>	<b>Description</b>	<b>Qty.</b>
▽		760143	(000000-	) Engine Access Step Kit	1
▲	1	32822	(000000-	) Handle, Grab	1
▲	2	761525	(000000-	) Step, Large Folding	1
▲	3	761526	(000000-	) Sitrip, Large Step	1



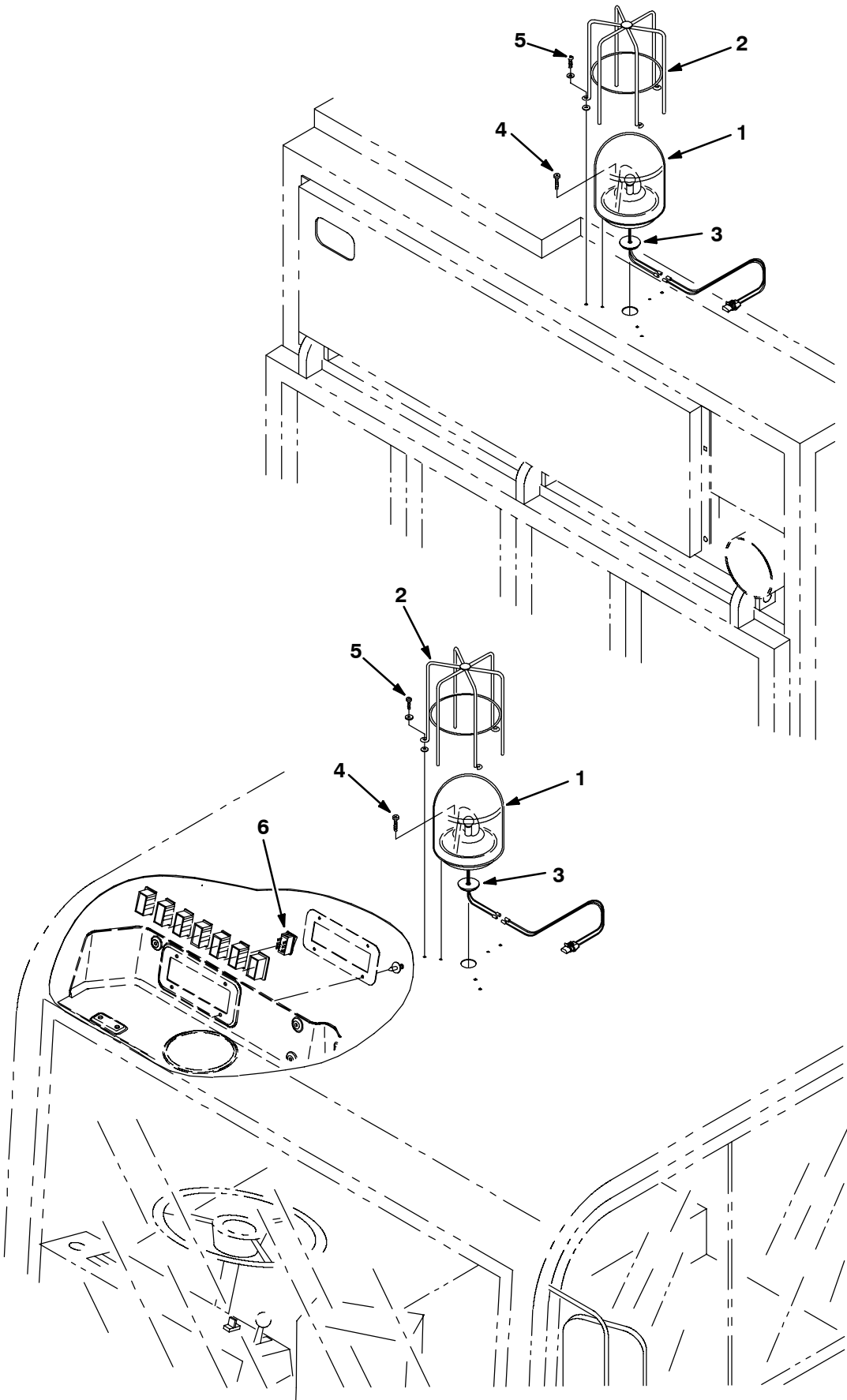
Fig. 33 - Light Kit, Night



352008

Ref.	Part No.	Serial Number	Description	Qty.
▽	765293	(000000-	) Light Kit, Halogen Night	1
▲▽	1 768555	(000000-	) Light, Halogen Flood	3
▲▲	768606	(000000-	) Lamp, Flood, Halogen	3
▲	2 762572	(000000-	) Bracket, Light, Night Sweeping	3
▲	3 10632-11	(000000-	) Grommet,Rbr,0.38ld,For .19Matl	3
▲	768612	(000000-	) Switch Kit, Spst	2
▲	762515	(000000-	) Fuse, 20Amp	1

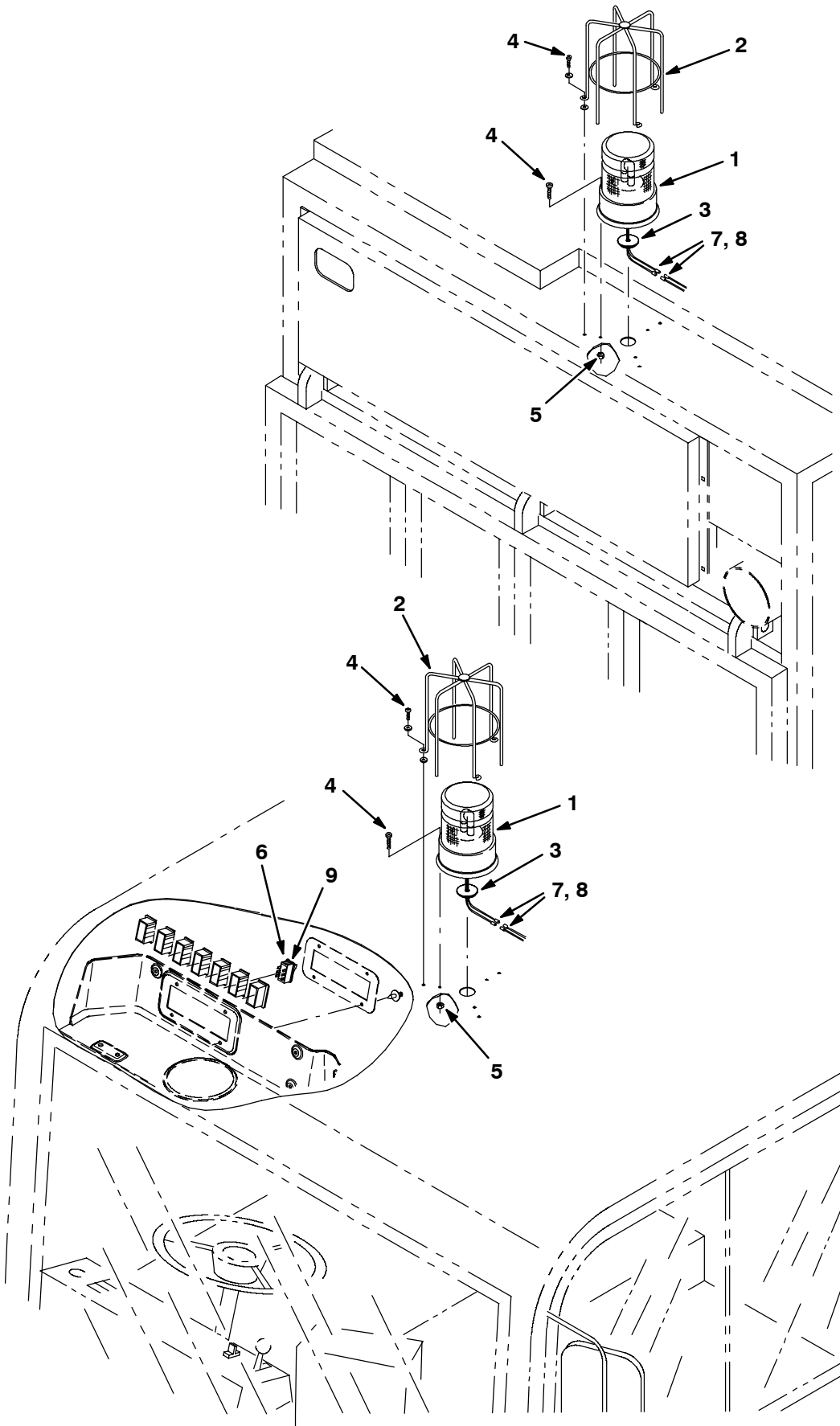
Fig. 34 - Light Kit, Revolving



**Fig. 34 - Light Kit, Revolving**

	<b>Ref.</b>	<b>Part No.</b>	<b>Serial Number</b>	<b>Description</b>	<b>Qty.</b>
▽		770168	(000000-	) Light Kit, Revl, Amb, Ci [Sentinel]	1
▲▽	1	768598	(000000-	) Light, Revl, Halogen, Amb	2
▲▲		367946	(000000-	) Lens, Amb, Light, Revl	1
▲▲		768605	(000000-	) Lamp, 12vdc, 55watt, Halogen, [H1]	1
▲	2	768604	(000000-	) Guard, Light, Rotating	2
▲	3	61866	(000000-	) Grommet, Rbr, 0.38id, F/ 1.4h, .09matl	2
▲	4	55845	(000000-	) Screw, Hex, M5 X 0.8 X 16, Fmg	6
▲	5	12459	(000000-	) Screw, Hex, M6 X 1.0 X 20, Fmg	6
▲	6	762522	(000000-	) Switch, Rocker, 28vdc 15a Spst On/Of	1

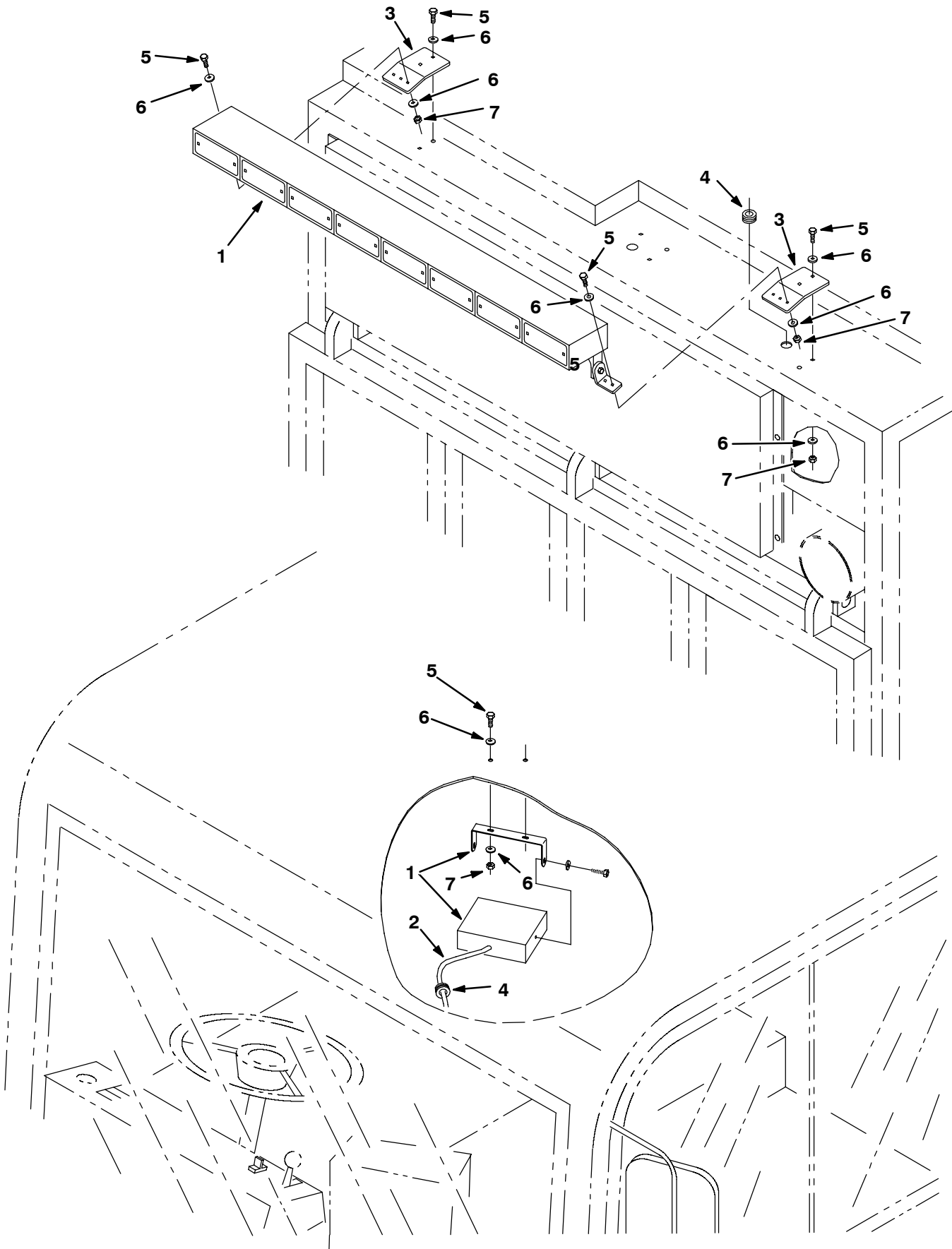
Fig. 35 - Light Kit, Strobe



**Fig. 35 - Light Kit, Strobe**

	<b>Ref.</b>	<b>Part No.</b>	<b>Serial Number</b>	<b>Description</b>	<b>Qty.</b>
▽		770169	(000000-	) Light Kit, Strobe, Amb, Ci [Sentinel]	1
▲	1	396440	(000000-	) Light, Strobe, Amb [Whelen 2022]	1
▲	2	768604	(000000-	) Guard, Light, Rotating	1
▲	3	61866	(000000-	) Grommet, Rbr, 0.38id, F/ 1.4h, .09matl	1
▲	4	12459	(000000-	) Screw, Hex, M6 X 1.0 X 20, Fmg	6
▲	5	08708	(000000-	) Nut, Hex, Lock, M6 X 1.0, NI	3
▲	6	762522	(000000-	) Switch, Rocker, 28vdc 15a Spst On/Of	1
▲	7	45223	(000000-	) Terminal, Qdc, [.25m, Insf,14]	1
▲	8	45224	(000000-	) Terminal, Qdc, [.25f, Insf,14]	1
▲	9	768810	(000000-	) Label Set, Switches	1

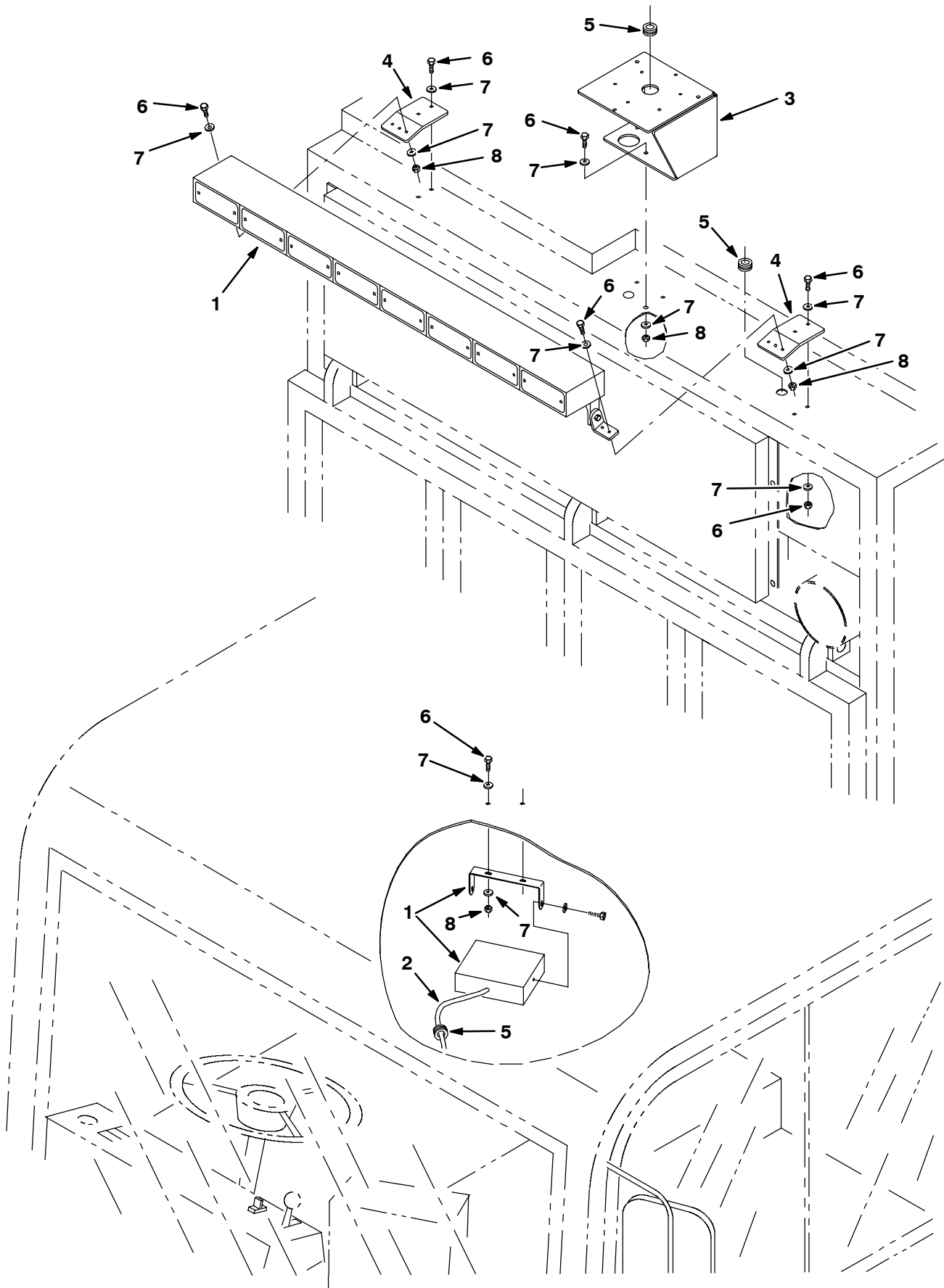
Fig. 36 - Light Kit, Arrow Stick, Without Revolving Light



**Fig. 36 - Light Kit, Arrow Stick, Without Revolving Light**

	<b>Ref.</b>	<b>Part No.</b>	<b>Serial Number</b>	<b>Description</b>	<b>Qty.</b>
▽		770171	(000000-	) Light Kit, Arrow, Ci, W/O Revl Light	1
▲▽	1	768504	(000000-	) Light, Arrow Stick, 8 Lamp [Whelen]	1
▲▲		1021902	(000000-	) Lamp, Halogen, 12vdc	1
▲	2	768505	(000000-	) Cable Assy, Arrow Stick	1
▲		762515	(000000-	) Fuse, 20 Amp	1
▲	3	770500	(000000-	) Plate, Mtg	2
▲	4	10632-2	(000000-	) Grommet, Rbr, 0.62id, F/ 0.9h, .12matl	2
▲	5	06944	(000000-	) Screw, Hex, M6 X 1.0 X 25, 8.8	8
▲	6	19066	(000000-	) Washer, Flat, #10	16
▲	7	08708	(000000-	) Nut, Hex, Lock, M6 X 1.0, NI	8

Fig. 37 - Light Kit, Arrow Stick, With Revolving Light





**Fig. 37 - Light Kit, Arrow Stick, With Revolving Light**

	<b>Ref.</b>	<b>Part No.</b>	<b>Serial Number</b>	<b>Description</b>	<b>Qty.</b>
▽		770170	(000000-	) Light Kit, Arrow, Ci, W/ Revl Light	1
▲▽	1	768504	(000000-	) Light, Arrow Stick, 8 Lamp [Whelen]	1
▲▲		1021902	(000000-	) Lamp, Halogen, 12vdc	1
▲	2	768505	(000000-	) Cable Assy, Arrow Stick	1
▲		762515	(000000-	) Fuse, 20 Amp	1
▲	3	769300	(000000-	) Bracket, Mtg, Strobe, Rh	1
▲	4	770500	(000000-	) Plate, Mtg	2
▲	5	10632-2	(000000-	) Grommet, Rbr, 0.62id, F/ 0.9h, .12matl	3
▲	6	06944	(000000-	) Screw, Hex, M6 X 1.0 X 25, 8.8	11
▲	7	19066	(000000-	) Washer, Flat, #10	22
▲	8	08708	(000000-	) Nut, Hex, Lock, M6 X 1.0, NI	11

Fig. 38 - Passenger Seat Kit

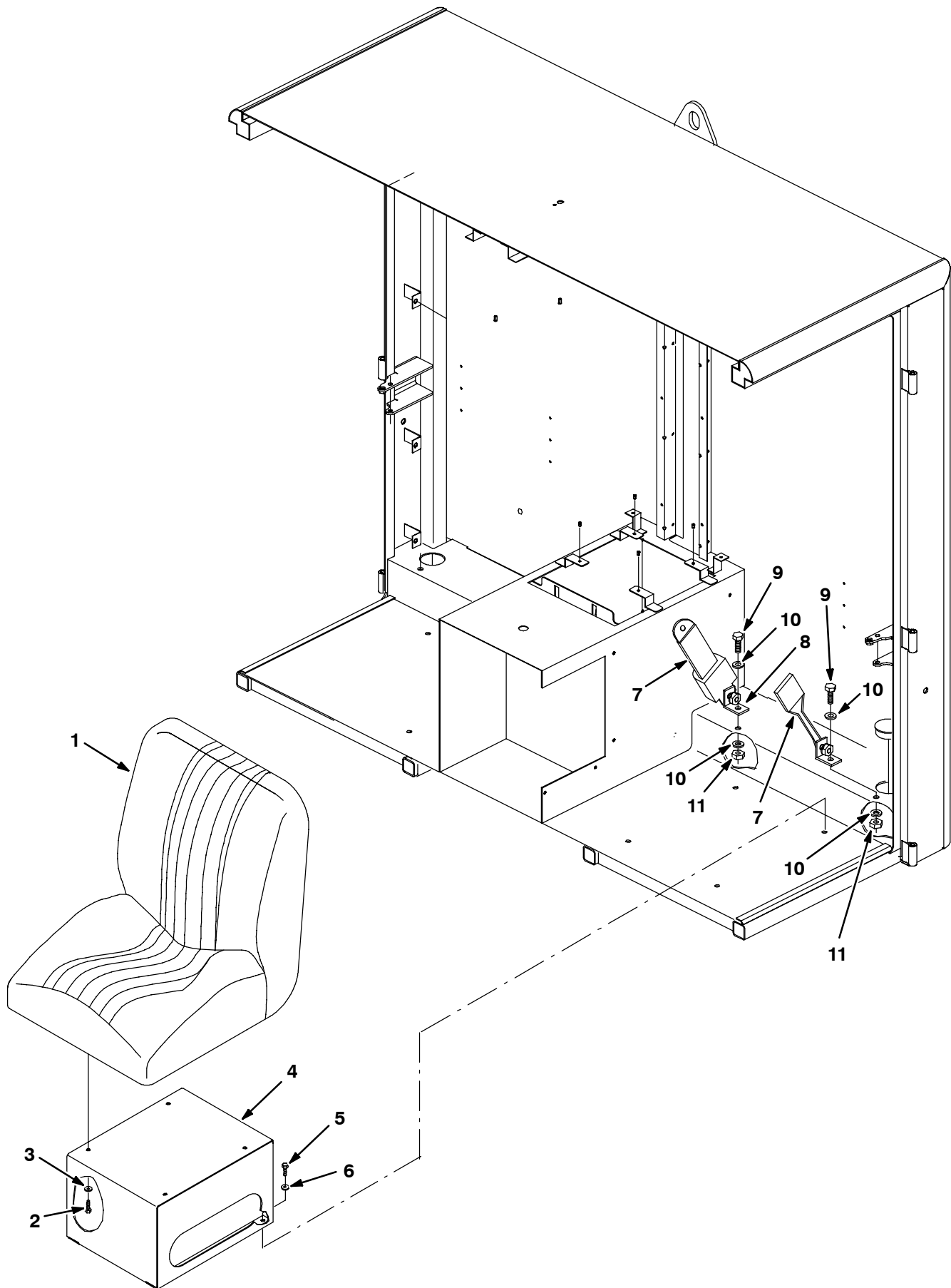
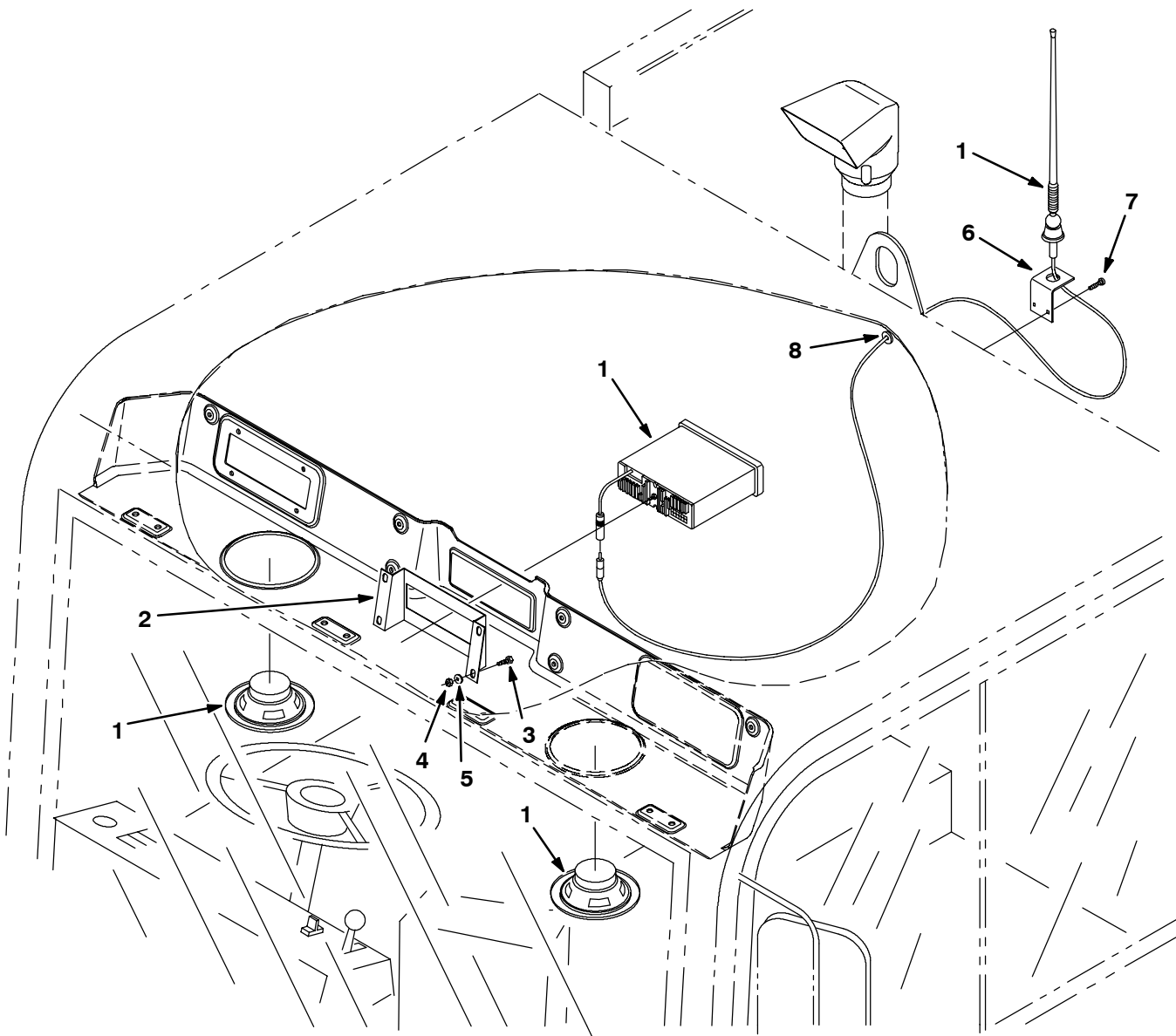


Fig. 38 - Passenger Seat Kit

	Ref.	Part No.	Serial Number	Description	Qty.
▽		9002029	(000000-	) Seat Kit, Passenger, Ci	1
▲	1	768485	(000000-	) Seat, Std [Seats Inc #176393]	1
▲	2	76955	(000000-	) Screw, Hex, .31-18 X 1.00, 5	4
▲	3	32490	(000000-	) Washer, Flat, 0.25 Std	4
▲	4	768448	(000000-	) Support Wldt, Seat, Passenger	1
▲	5	16931	(000000-	) Screw, Hex, M8 X 1.25 X 20, 8.8	4
▲	6	763041	(000000-	) Washer, Belleville, M08	4
▲▽		9001924	(000000-	) Seatbelt Kit, Lh, Ci	1
▲▲	7	1028186	(000000-	) Seatbelt, Lh	1
▲▲	8	1028112	(000000-	) Bracket, Seatbelt, Lh	1
▲▲	9	16931	(000000-	) Screw, Hex, M8 X 1.25 X 20, 8.8	2
▲▲	10	32490	(000000-	) Washer, Flat, 0.25 Std	4
▲▲	11	08709	(000000-	) Nut, Hex, Lock, M8 X 1.25, NI	2

Fig. 39 - Radio Kit



**Fig. 39 - Radio Kit**

	<b>Ref.</b>	<b>Part No.</b>	<b>Serial Number</b>	<b>Description</b>	<b>Qty.</b>
▽		765292	(000000-	) Radio Kit, Ci [W/ Cd Player]	1
▲	1	768486	(000000-007340	) Radio Kit, Replmt	1
▲	1	1039495	(007341-	) Radio [Am/Fm/Cd/Weather Band]	1
▲	2	768435	(000000-	) Bracket, Mtg, Radio	4
▲	3	06942	(000000-	) Screw, Hex M06x1.0x16	4
▲	4	08708	(000000-	) Nut, Hex, Lock, M06x1.0	4
▲	5	19066	(000000-	) Washer, Flt	1
▲	6	768438	(000000-	) Bracket, Antenna	2
▲	7	12459	(000000-	) Screw, Hex M06x1.0x20	1
▲	8	10632-11	(000000-	) Grommet	1
▲		25831	(000000-	) Connector	3
▲		78951	(000000-	) Terminal, Metripk280, Fem 16	3
▲		10917	(000000-	) Seal	1
▲		78954	(000000-	) Connector, Wire Lock	4
▲		49247	(000000-	) Terminal	1
▲		762513	(000000-	) Fuse	1

Fig. 40 - Auto-Lube System Group

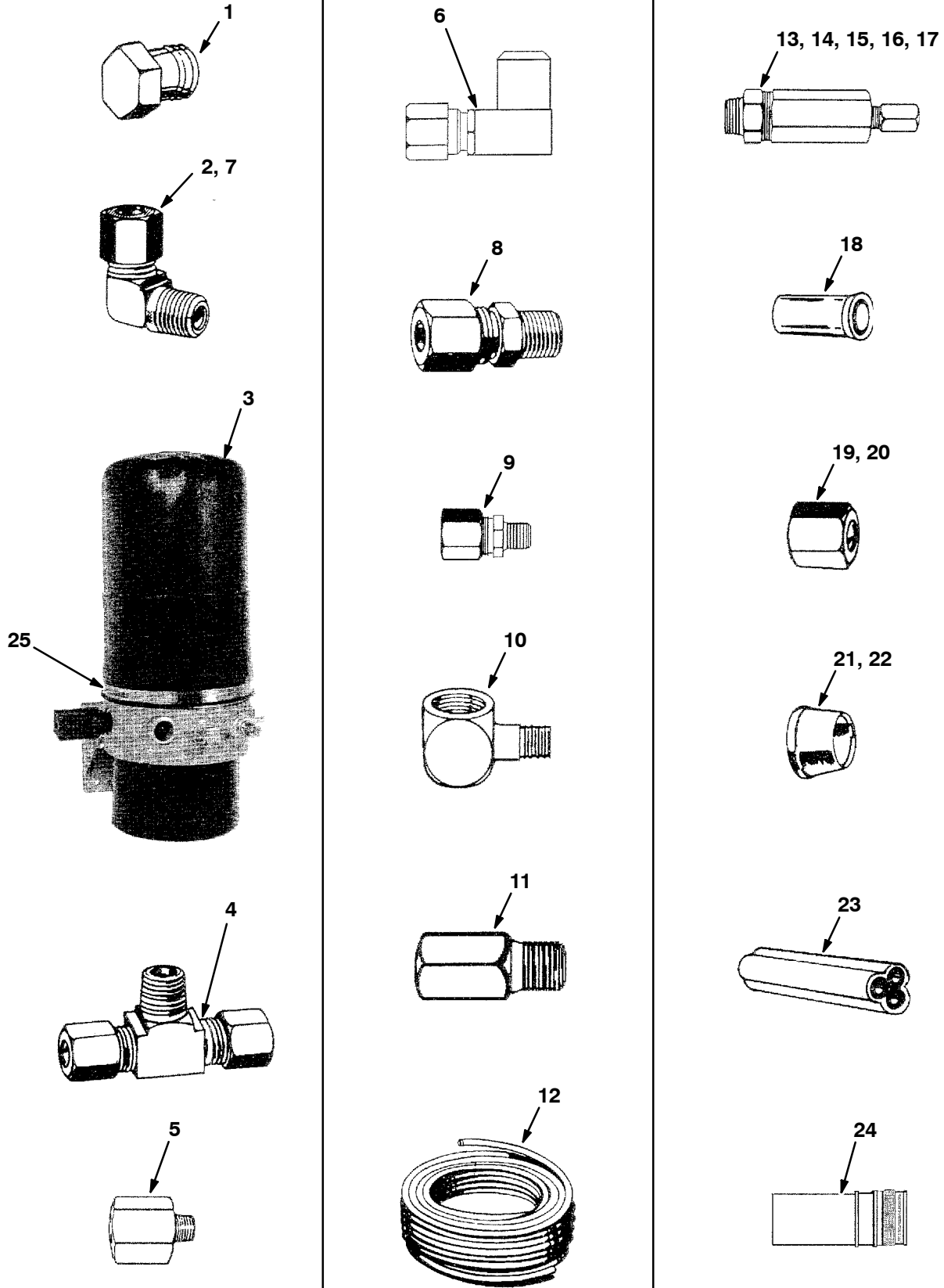
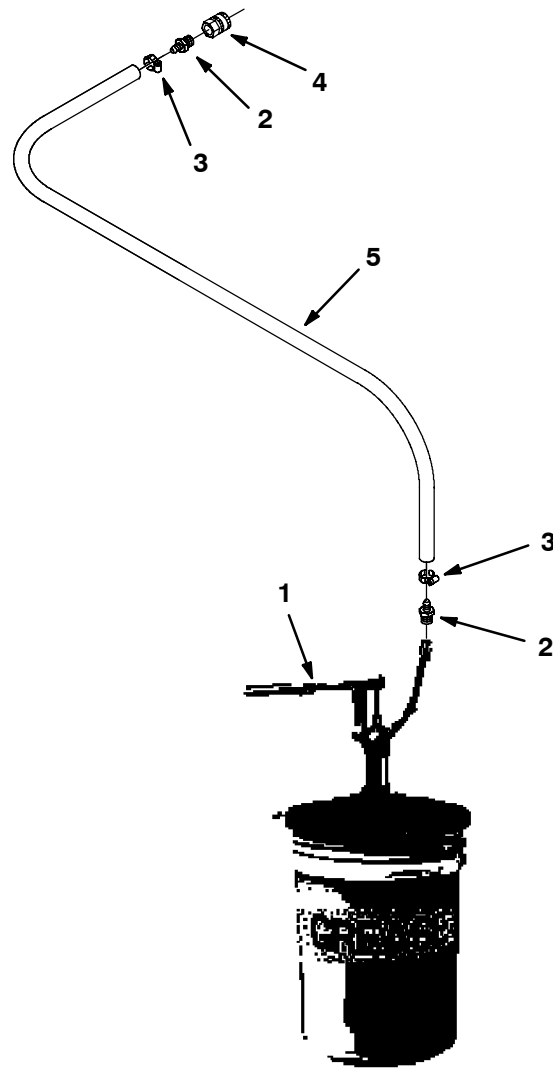


Fig. 40 - Auto-Lube System Group

Ref.	Part No.	Serial Number	Description	Qty.
1	761741	(000000-	) Fitting, Plug	1
2	761742	(000000-	) Fitting, Elbow	1
3	761744	(000000-	) Pump, Assy Lubrication	1
	770035	(000000-	) Reservoir, Grease, 10lbs	1
4	761748	(000000-	) Fitting, Brass, Tee	1
5	761752	(000000-	) Fitting, Pipe, Str 02pm-.25-28sae	1
6	761753	(000000-	) Fitting, E90 Snap	1
7	761754	(000000-	) Fitting, Brass, E90 02pm-03com	1
8	761755	(000000-	) Fitting, Brass, Str 02pm-03com	1
9	761756	(000000-	) Fitting, Brass, Str 03com-.25-28sae	1
10	761757	(000000-	) Fitting, Brass, E90 02pm-.25-28sae	1
11	761758	(000000-	) Fitting, Pipe, Str 02pm-02pf	1
12	761759	(000000-	) Tube, Plstc 5/16 Od	1
13	761761	(000000-	) Valve, Metering #0	1
14	761762	(000000-	) Valve, Metering #1	1
15	761763	(000000-	) Valve, Metering #2	1
16	761781	(000000-	) Valve, Metering #3	1
17	761782	(000000-	) Valve, Metering #8	1
18	761783	(000000-	) Sleeve, Brass 05com	1
19	761784	(000000-	) Nut, Brass 03com	1
20	761785	(000000-	) Nut, Brass 05com	1
21	761786	(000000-	) Sleeve, Ferrule .188 Dia	1
22	761787	(000000-	) Sleeve, Ferrule .312	1
23	761790	(000000-	) Tube, Plstc, W/Grease .188 Od X 15 Ft	1
24	761595	(000000-	) Fitting, Qf	1
25	312960	(000000-	) Clamp [Grease Jockey]	1
	761743	(000000-	) Fitting, Stud	1
	761788	(000000-	) Timer	1
	761745	(000000-	) Cable, Power	1
	761746	(000000-	) Plug, Outlet	1
	761747	(000000-	) Fitting, Plug	1
	761749	(000000-	) Fitting, Str	1
	761750	(000000-	) Fitting, Str, Nipple Npt	1
	761751	(000000-	) Fitting, Brass, E90	1
	761789	(000000-	) Valve, Relief	1
	770646	(000000-	) Fitting, Tube, Union	1
	770149	(000000-	) Label, Blank, 08.5 X 11.0 Clr Poly	1
	769090	(000000-	) Grease, Gen Purpose, Ep 35lbs 5 Gal. pail	1

**Fig. 41 - Auto-Lube Pump Kit**

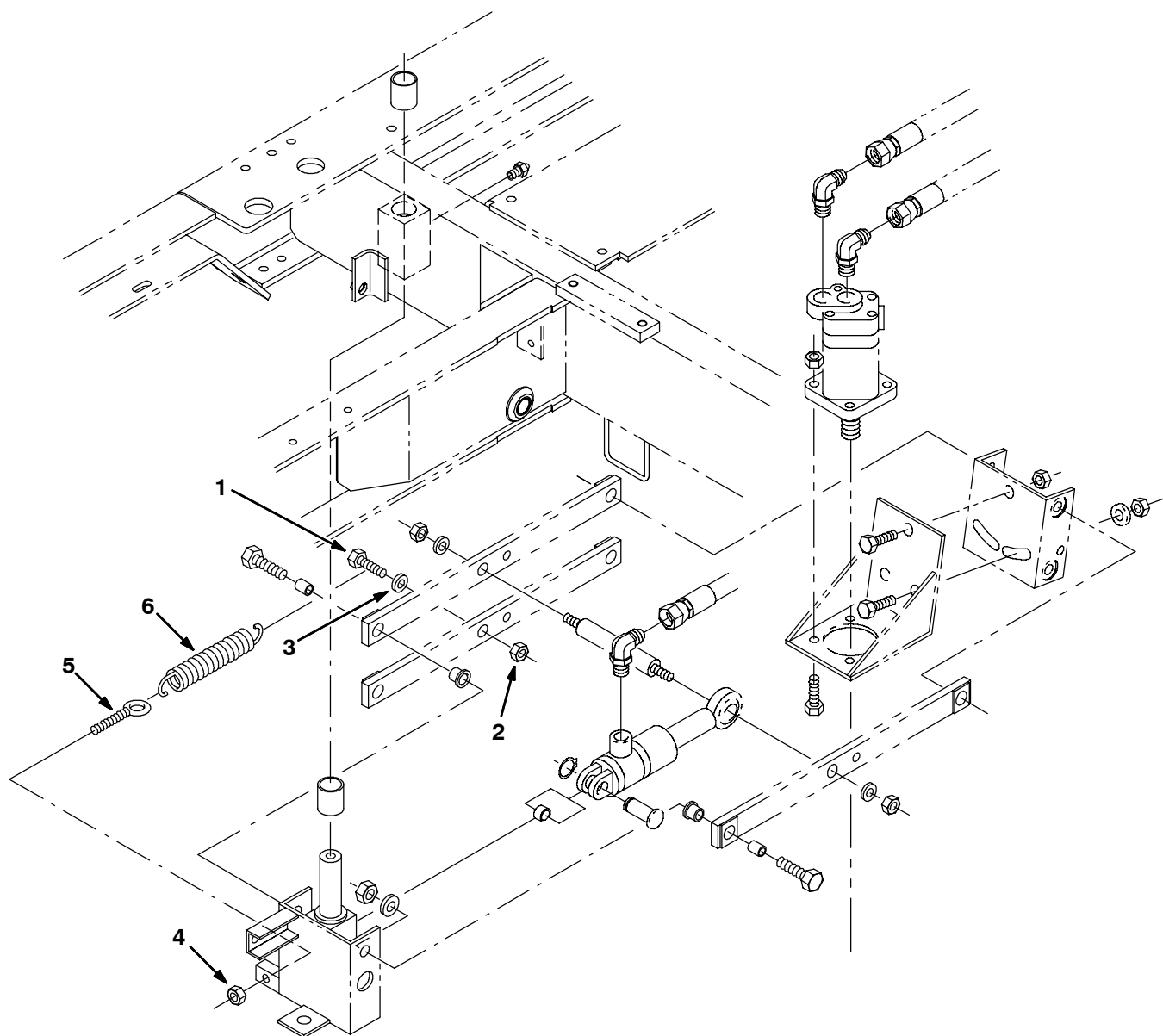


354587

Ref.	Part No.	Serial Number	Description	Qty.
▽	9003286	(000000-	) Pump Kit, Auto-Lube, Refill, Ci	1
▲	1 1035958	(000000-	) Pump, Refill, Auto-Lube	1
▲	2 762249	(000000-	) Fitting, Brs, Str, Bm08/Pm04	2
▲	3 54333	(000000-	) Clamp, Hose, Wormdrive, 0.31-0.88d, .31w	2
▲	4 761595	(000000-	) Fitting, Qf	1
▲	5 382745	(000000-	) Hose, Pvc, Brd, 0.50id 0.73od 060.0l,Clr	1



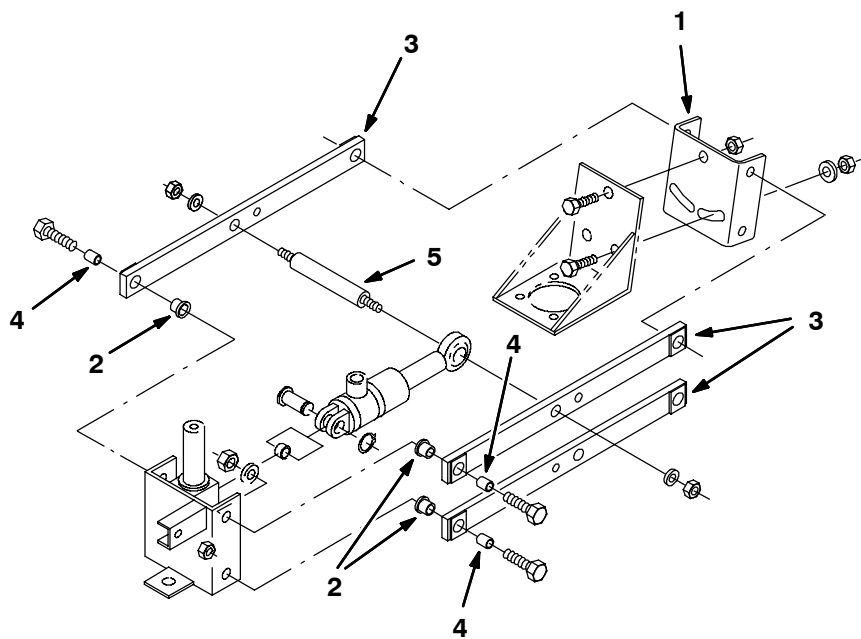
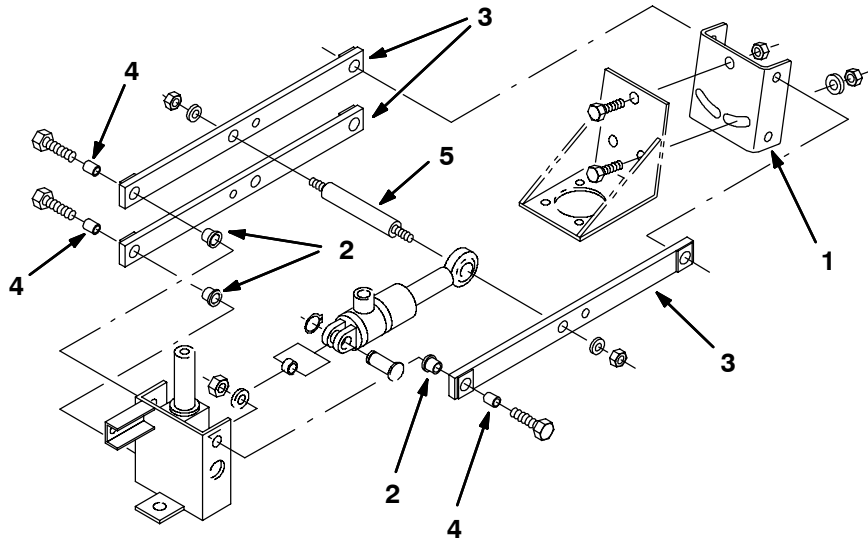
Fig. 42 - Side Brush Spring Kit



353152

Ref.	Part No.	Serial Number	Description	Qty.
▽	760107	(000000-	) Spring Kit, Side Brush	1
▲	1 06969	(000000-	) Screw Hex M12X1.75X40	1
▲	2 08711	(000000-	) Nut HxLocNyln M12X1.75	1
▲	3 32486	(000000-	) Washer Flt .50 SAE	2
▲	4 32985	(000000-	) Nut HxLocNyln .50-13 Std.	1
▲	5 761225	(000000-	) Eyebolt, .50-13X3.5"	1
▲	6 761235	(000000-	) Spring, Tension 30X5.5X149	1

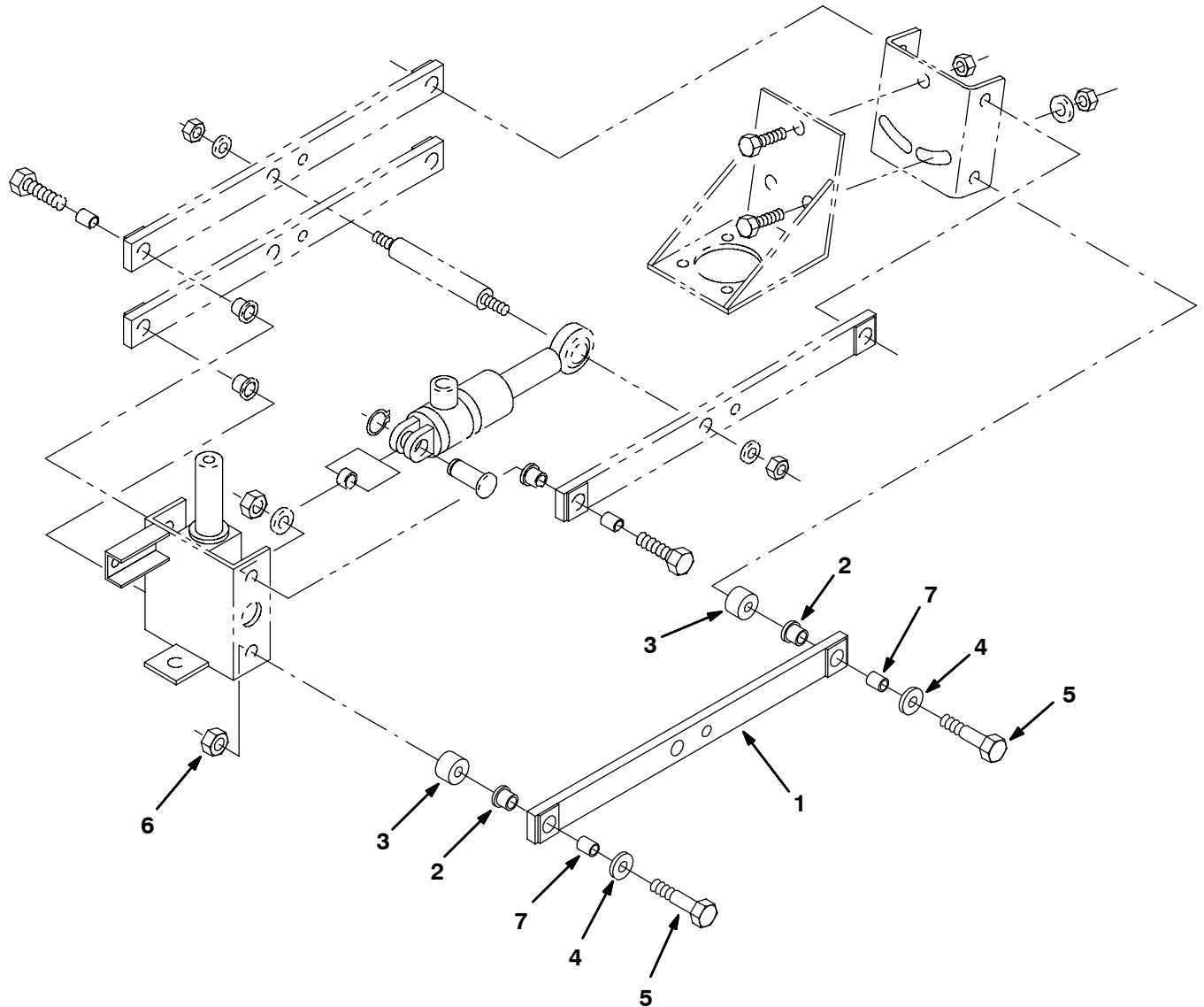
Fig. 43 - Side Brush Linkage Kit



353883

Ref.	Part No.	Serial Number	Description	Qty.
▽	767642	(000000-	) Kit, Ci, Linkage, Brush, Side	1
▲	1 768834	(000000-	) Channel Wldt, Lower Support	1
▲	2 767641	(000000-	) Bushing, Flng, 0.63b 0.82d 0.75l, Bnz	1
▲	3 768836	(000000-	) Bar Wldt, Brush Support	1
▲	4 768842	(000000-	) Tube, 00.62d 00.47b 00.8l Stl	1
▲	5 767644	(000000-	) Shaft, Side Brush	1

Fig. 44 - Side Brush Fourth Bar Linkage Kit



353884

Ref.	Part No.	Serial Number	Description	Qty.
▽	769590	(000000-	) Kit, Ci, Linkage, Brush, Side	1
▲	1 768836	(000000-	) Bar Wldt, Brush Support	2
▲	2 767641	(000000-	) Bushing, Flng, 0.63b 0.82d 0.75l, Bnz	2
▲	3 769589	(000000-	) Spacer	2
▲	4 32486	(000000-	) Washer, Flat, .50 Sae	2
▲	5 06973	(000000-	) Screw, Hex, M12 X 1.75 X 70, 8.8	2
▲	6 08167	(000000-	) Nut, Hex, Stover, M12 X 1.75	2
▲	7 768842	(000000-	) Tube, 00.62d 00.47b 00.8l Stl	2

**Fig. 45 - Documentation Group**

<b>Ref.</b>	<b>Part No.</b>	<b>Serial Number</b>	<b>Description</b>	<b>Qty.</b>
1	331000	(000000-	) Manual Pkg Sentinel	1
2	331002	(000000-	) Manual Op/Mt Sentinel Spanish	1
2	331003	(000000-	) Manual Op/Mt Sentinel French	1
3	331019	(000000-	) Manual, Service Info [Sentinel]	1
4	1041886	(000000-	) Video, Oprtr, Training, Dvd [Sentinel]	1
5	331005	(000000-	) Manual, Cd-rom, Service, [Sentinel Dsl]	1

## SECTION 4

<b>Contents</b>	<b>Page</b>
Fig. 1 - Hydraulic Piston Motor Breakdown, 767200 .....	4-2
Fig. 2 - Hydraulic Piston Motor Breakdown, 762136 .....	4-6
Fig. 3 - Hydraulic Motor Breakdown, 762035 ..	4-8
Fig. 4 - Hydraulic Motor Breakdown, 762032 ..	4-9
Fig. 5 - Axle And Spindle Breakdown, Front ..	4-10
Fig. 6 - Axle Wheel Hub and Brake Breakdown, Front .....	4-12
Fig. 7 - Axle Differential Breakdown, Front ...	4-14
Fig. 8 - Axle Input Breakdown, Front .....	4-16
Fig. 9 - Axle CV Joint Breakdown, Front .....	4-18
Fig. 10 - Axle And Spindle Breakdown, Rear ..	4-20
Fig. 11 - Axle Wheel Hub and Brake Breakdown, Rear .....	4-22
Fig. 12 - Cat Pump Breakdown, 762260 .....	4-24
Fig. 13 - Hydraulic Solenoid Valve Breakdown, 768899 .....	4-26
Fig. 14 - Hydraulic Solenoid Valve Breakdown, 768899 (For High Dump Hopper Lift Option)	4-28
Fig. 15 - Hydraulic Solenoid Valve Breakdown, 767009 .....	4-30
Fig. 16 - Hydraulic Steering Valve Breakdown, 771014 .....	4-32
Fig. 17 - Hydraulic Solenoid Valve Breakdown, 771010 .....	4-34
Fig. 18 - Hydraulic Solenoid Valve Breakdown, 771010 (For Left Hand Side Brush Option) ..	4-36
Fig. 19 - Hydraulic Solenoid Valve Breakdown, 771019 .....	4-38
Fig. 20 - Hydraulic Solenoid Valve Breakdown, 771011 .....	4-40
Fig. 21 - Hydraulic Solenoid Valve Breakdown, 771012 .....	4-42

**Fig. 1 - Hydraulic Piston Motor Breakdown, 767200**

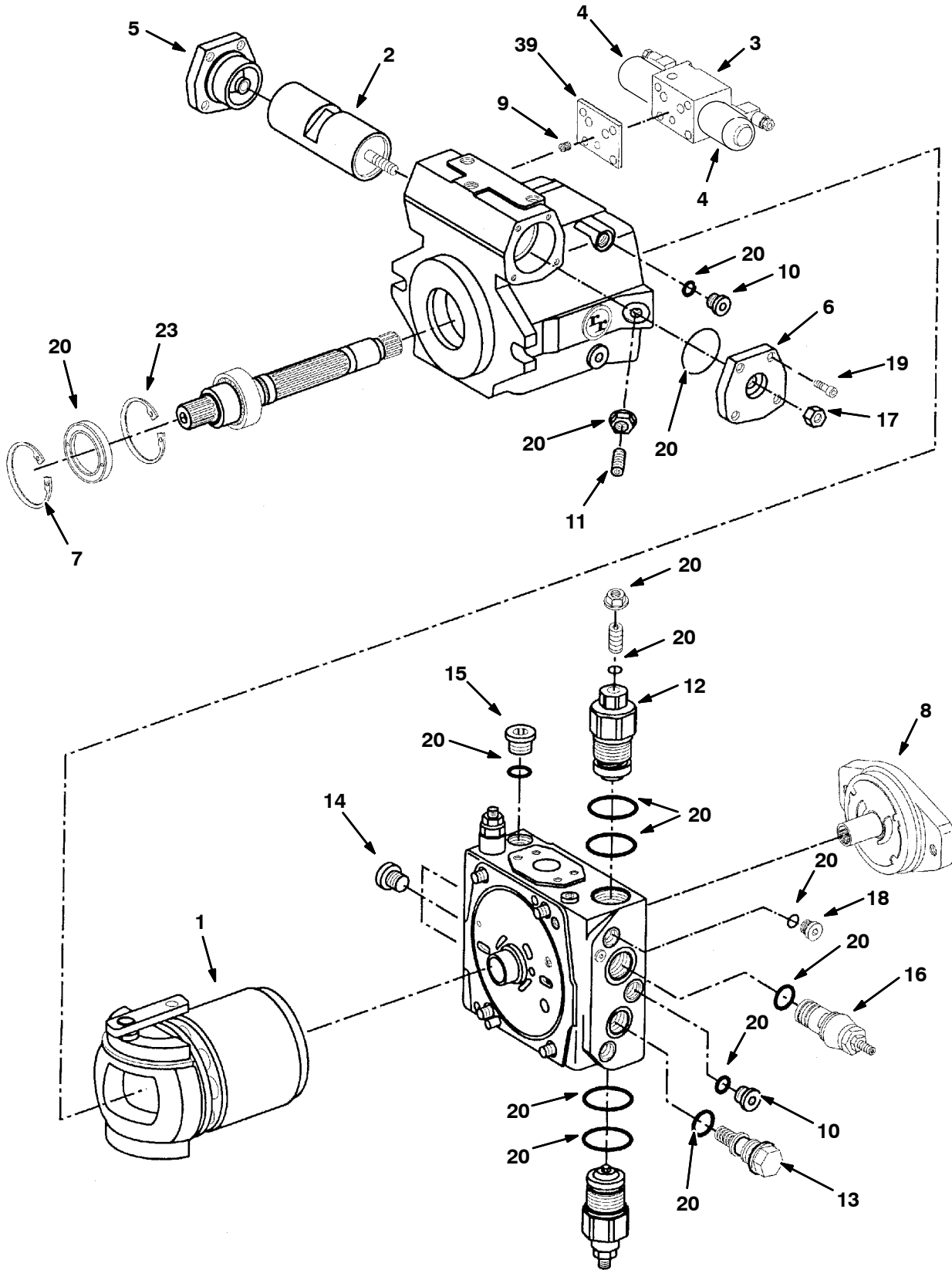
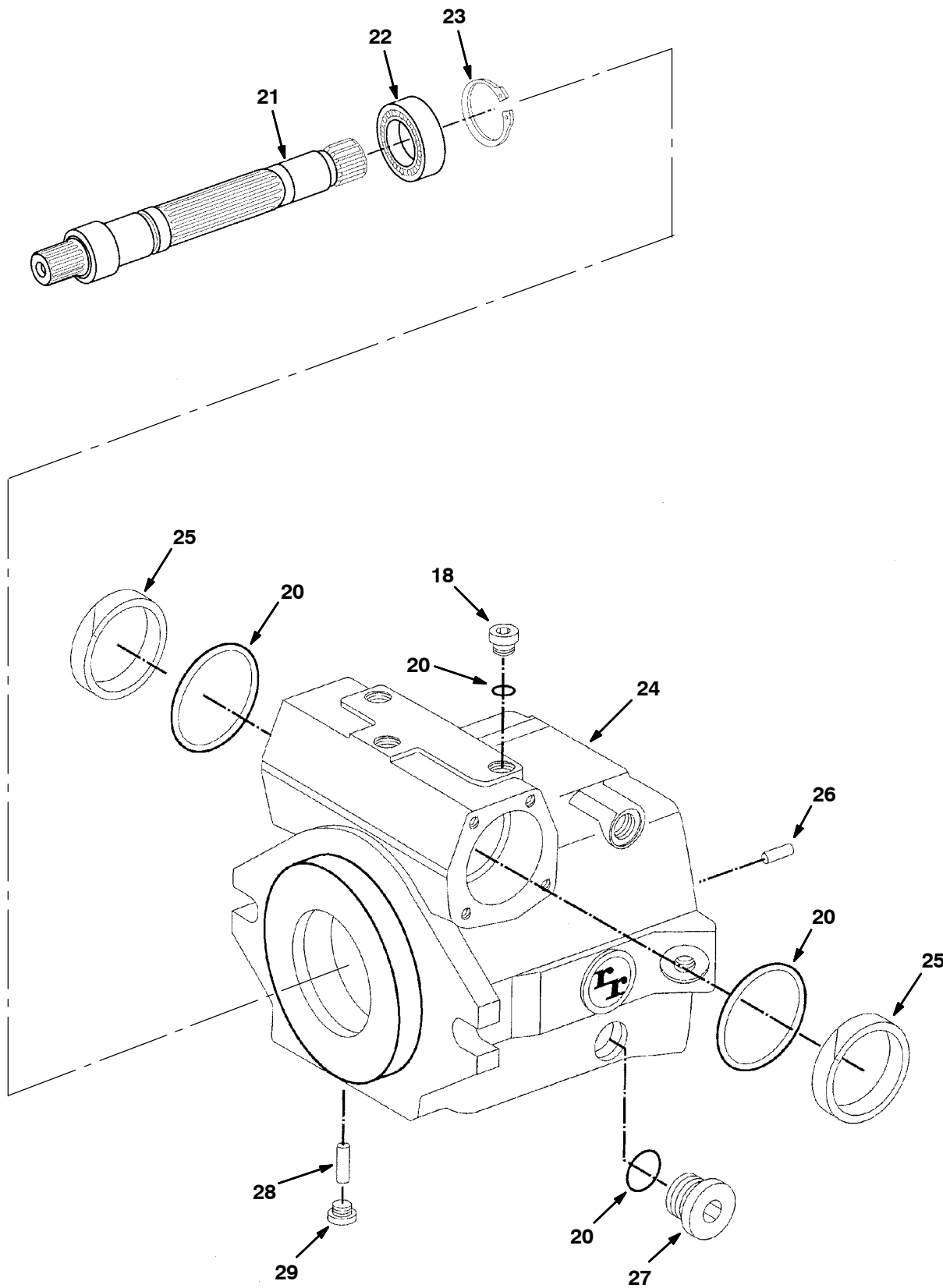


Fig. 1 - Hydraulic Piston Motor Breakdown, 767200



**Fig. 1 - Hydraulic Piston Motor Breakdown, 767200**

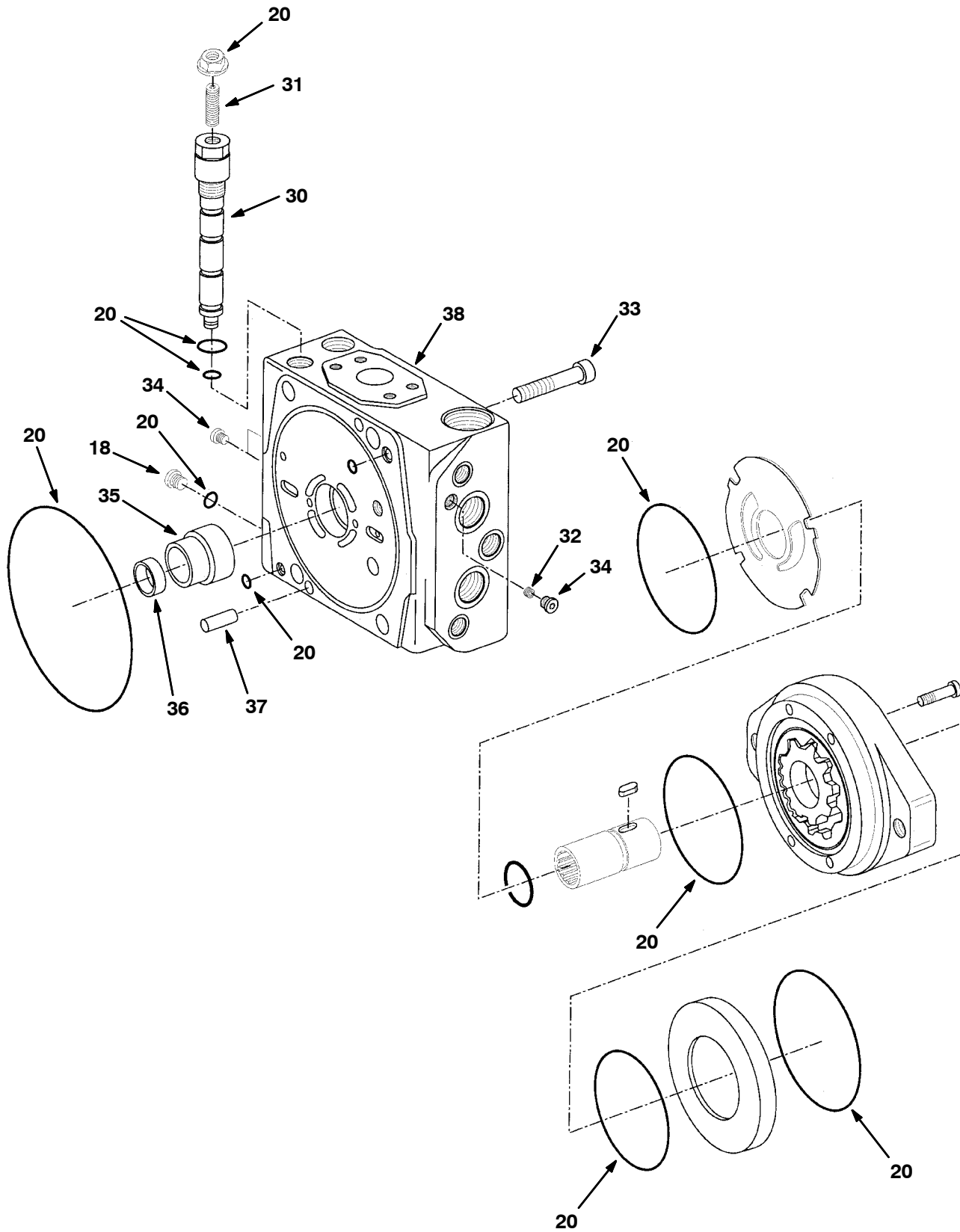
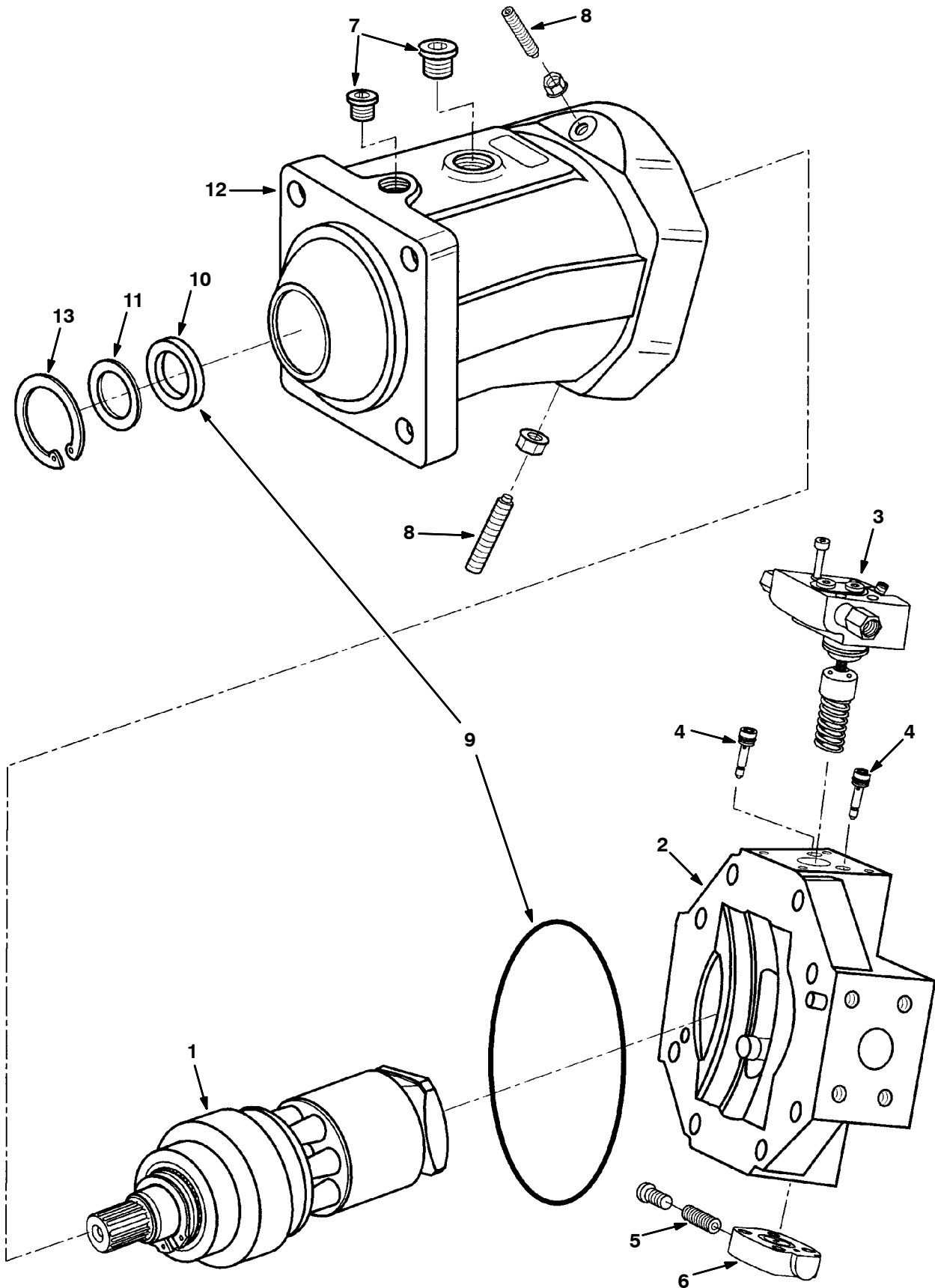




Fig. 1 - Hydraulic Piston Pump Breakdown, 767200

	Ref.	Part No.	Serial Number	Description	Qty.
▽		767200	(000000-	) Pump, Piston, Rexroth	1
▲	1	763521	(000000-	) Rotary Group	1
▲	2	763527	(000000-	) Stroking Piston Assembly	1
▲▽	3	763931	(000000-	) Control, Ez, Pump, Hyd	1
▲▲	4	770181	(000000-	) Coil	1
▲	5	763535	(000000-	) Stroking Piston Cover	1
▲	6	763536	(000000-	) Stroking Piston Cover	1
▲	7	763538	(000000-	) Snap Ring	1
▲	8	763537	(000000-	) Thru Drive Charge Pump Assembly	1
▲	9	763943	(000000-	) Orifice (0.8 mm)	1
▲	10	13904	(000000-	) Plug	2
▲	11	763443	(000000-	) Eccentric Screw	1
▲	12	763539	(000000-	) H.P.R.V. with Tow Option (4000-6100 psi)	2
▲	13	763446	(000000-	) Charge Pressure Relief Valve Kit	1
▲	14	763447	(000000-	) Plug	3
▲	15	13907	(000000-	) Plug	1
▲	16	763449	(000000-	) DA Cartridge	1
▲	17	763450	(000000-	) Jam Nut	1
▲	18	74098	(000000-	) Plug	6
▲	19	763541	(000000-	) Cap Screw	8
▲	20	763542	(000000-	) Seal Kit	1
▲	21	763518	(000000-	) Shaft	1
▲	22	763519	(000000-	) Bearing	1
▲	23	763520	(000000-	) Retaining Ring	2
▲	24	763522	(000000-	) Housing	1
▲	25	763523	(000000-	) Bushing	2
▲	26	763524	(000000-	) Locating Pin	1
▲	27	79779	(000000-	) Plug	1
▲	28	763525	(000000-	) Pin	1
▲	29	763526	(000000-	) Plug	1
▲	30	763528	(000000-	) P.O.R. Assembly	1
▲	31	763529	(000000-	) Adjusting Screw	1
▲	32	763451	(000000-	) Orifice (1.8 mm)	1
▲	33	763530	(000000-	) Cap Screw	4
▲	34	763452	(000000-	) Plug	3
▲	35	763531	(000000-	) Bushing Support	1
▲	36	763532	(000000-	) Bushing	1
▲	37	763533	(000000-	) Dowell Pin	2
▲	38	763534	(000000-	) Port Block	1
▲	39	1027904	(000000-	) Gasket, Cntrl Valve [Ez]	1

**Fig. 2 - Hydraulic Piston Motor Breakdown, 762136**

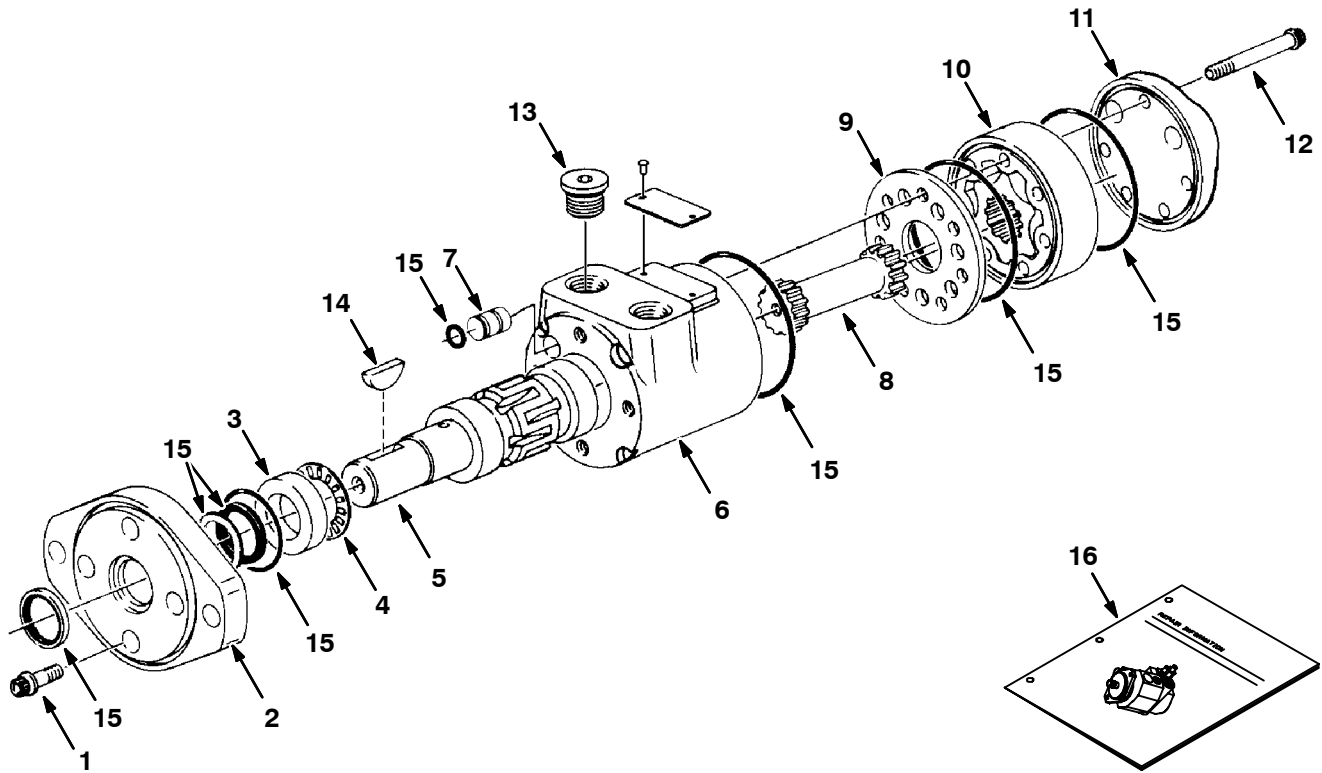


**Fig. 2 - Hydraulic Piston Motor Breakdown, 762136**

NOTE: This hydraulic motor is available as a "rebuilt" motor, Tennant part number 376059.

	Ref.	Part No.	Serial Number	Description	Qty.
▽		762136	(000000-	) Motor, Piston, Rexroth	1
▲	1	763948	(000000-	) Rotary Group	1
▲	2	763949	(000000-	) Rear Cover Assembly	1
▲	3	763950	(000000-	) DA Control Kit	1
▲	4	763951	(000000-	) Check Valve Kit	2
▲	5	763457	(000000-	) Swivel Orifice Kit	1
▲	6	763952	(000000-	) Stroking Piston Cover	1
▲	7	763447	(000000-	) Plug (M18 x 1.5)	2
▲	8	763461	(000000-	) Stop Screw	2
▲▽	9	763956	(000000-	) Seal Kit	1
▲▲	10	763464	(000000-	) Shaft Seal	1
▲	11	763953	(000000-	) Shim	1
▲	12	763954	(000000-	) Housing	1
▲	13	763955	(000000-	) Snap Ring	1

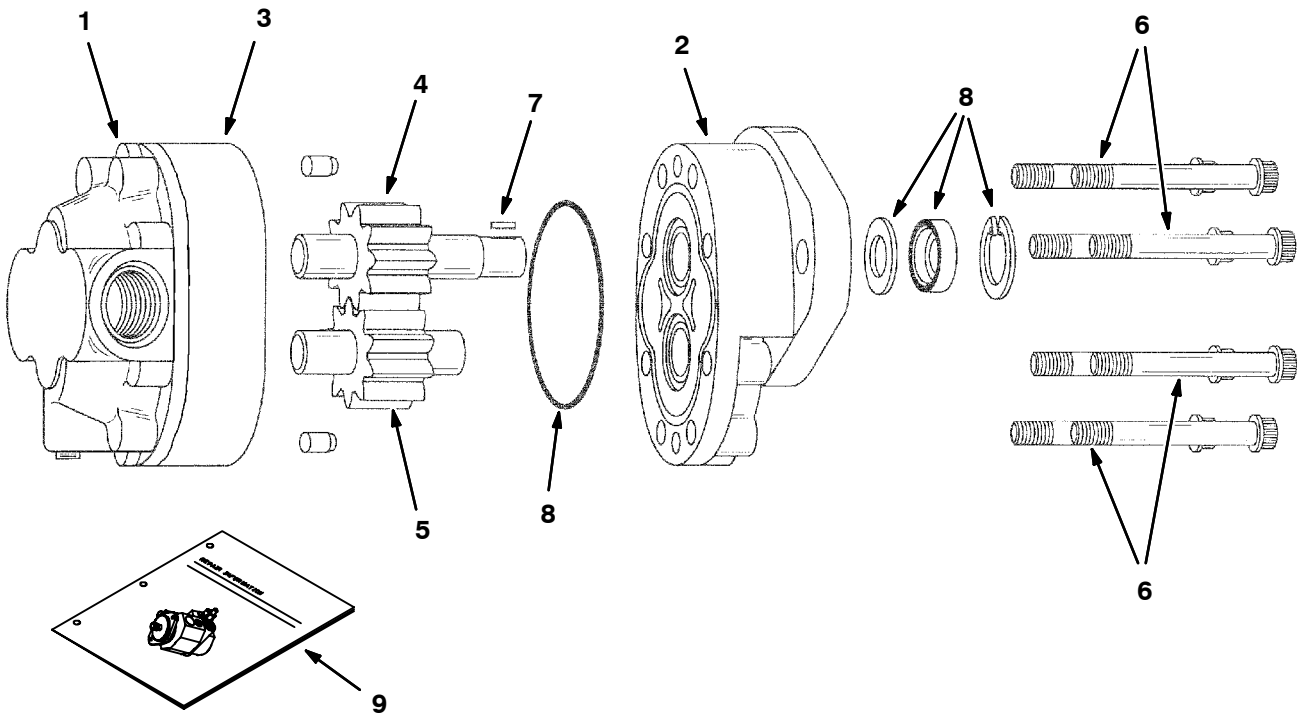
**Fig. 3 - Hydraulic Motor Breakdown, 762035**



10312-09670

Ref.	Part No.	Serial Number	Description	Qty.
▽	762035	(000000- )	Motor, Hyd Shaker W/End Ports	1
▲	1	37555	(000000- ) Screw	4
▲	2	763504	(000000- ) Flg, Mtg 2-Bolt	1
▲	3	16695	(000000- ) Race Thrust	1
▲	4	45628	(000000- ) Thrust Bearing	1
▲	5	763508	(000000- ) Output Shaft	1
▲	6	74092	(000000- ) Housing	1
▲	7	74093	(000000- ) Plug, Housing	1
▲	8	34172	(000000- ) Drive	1
▲	9	74094	(000000- ) Spacer Plate	1
▲	10	763506	(000000- ) Gerotor Assy	1
▲	11	763509	(000000- ) End Cap	1
▲	12	74191	(000000- ) Screw, Cap	5
▲	13	74099	(000000- ) Plug #10	2
▲	14	00500-15	(000000- ) Key-Wdruff 0.25 1.00 Asa#0808	1
▲	15	28835	(000000- ) Seal Kit, Motor A/H-Stnd	1
	16	763507	(000000- ) Repair Info, Mtr	1

**Fig. 4 - Hydraulic Motor Breakdown, 762032**



Ref.	Part No.	Serial Number	Description	Qty.	
▽	762032	(000000-	) Motor, Hyd, Vacfan 1.02 Cid	1	
▲	1	373561	(000000-	) Backplate	1
▲	2	373562	(000000-	) Frontplate	1
▲	3	373563	(000000-	) Body	1
▲	4	373564	(000000-	) Drive Gear	1
▲	5	373565	(000000-	) Idler Gear	1
▲	6	373212	(000000-	) Cap Screw	8
▲	7	373213	(000000-	) Key	1
▲	8	762117	(000000-	) Kit, Seal, Hyd Motor	1
	9	373566	(000000-	) Repair Info, Pmp	1

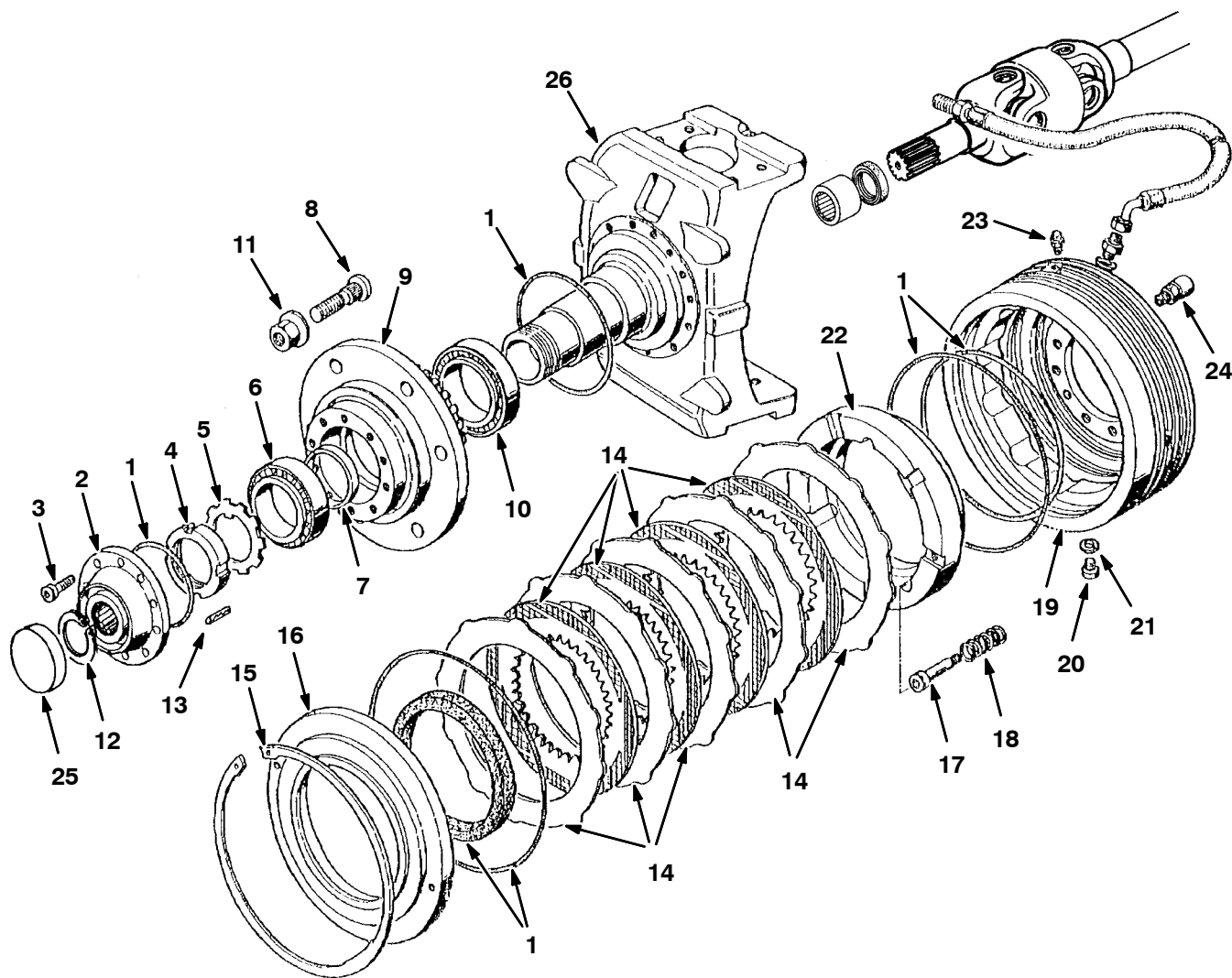


**Fig. 5 - Axle And Spindle Breakdown, Front**

NOTE: The Front Axle Breakdown, Tennant part number 1006065, includes Fig. 5, Fig. 6, Fig. 7, Fig. 8 and Fig. 9.

Ref.	Part No.	Serial Number	Description	Qty.
1	761601	(000000-	) Rod End Pivot Lh	1
2	761602	(000000-	) Rod End Pivot Rh	1
3	761727	(000000-	) Nut, Rh	1
4	761728	(000000-	) Nut, Lh	1
5	761600	(000000-	) Steering Rod Front	1
6	761606	(000000-	) Front Axle Housing	1
7	761607	(000000-	) Screw, M8x50	2
8	761609	(000000-	) Gasket	4
9	761610	(000000-	) Bearing	4
10	761613	(000000-	) Breather	1
11	761615	(000000-	) Screw, M12x30	1
12	761616	(000000-	) Magnetic Plug	2
13	08709	(000000-	) Nut, Self Lock M8	2
14	761629	(000000-	) Pivoting Hub	4
15	761630	(000000-	) Flange	2
16	761631	(000000-	) Grease Zerk	4
17	06969	(000000-	) Screw, M12x40	8
18	761611	(000000-	) Washer	16
19	761634	(000000-	) Steering Lever, Rh, Lower	1
20	761732	(000000-	) Steering Lever, Lower	1
21	41346	(000000-	) Screw, M12x30	8
▽	22	762080	(000000-) Cylinder, Hydraulic	1
▲		761714	(000000-) Seal Kit, Cylinder	1
	23	761715	(000000-) Pivoting Hub	1
	24	761716	(000000-) Rod End	1
	25	761717	(000000-) Nut, M18x1.5	1
	26	08280	(000000-) Cotter Pin	1
	27	769093	(000000-) Cylinder Anchor Pin	1
	28	761720	(000000-) Spacer	1
	29	761729	(000000-) Cap, Dust	4
	30	9002764	(000000-) Shim, Half, 0.10mm	2
	31	9002765	(000000-) Shim, Half, 0.25mm	2

**Fig. 6 - Axle Wheel Hub and Brake Breakdown, Front**



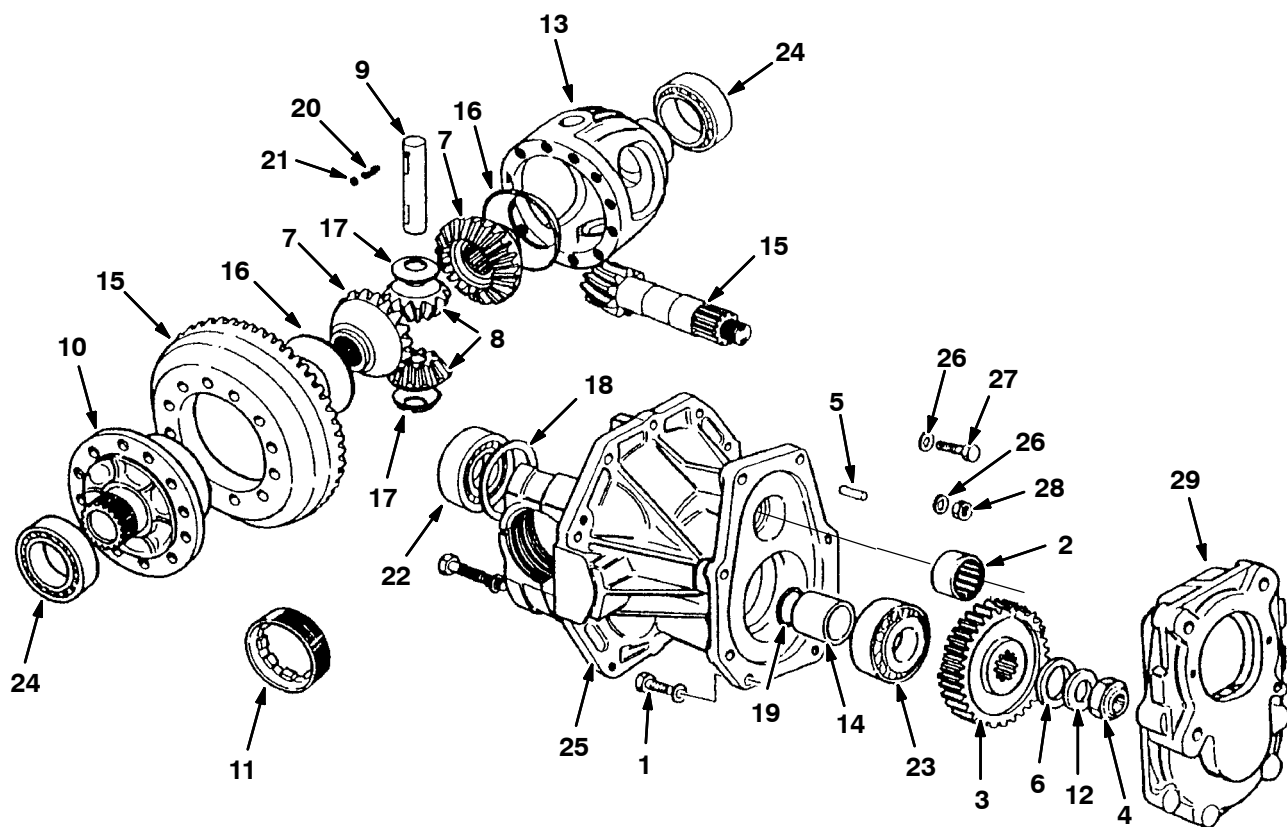


**Fig. 6 - Axle Wheel Hub and Brake Breakdown, Front**

NOTE: The Front Axle Breakdown, Tennant part number 1006065, includes Fig. 5, Fig. 6, Fig. 7, Fig. 8 and Fig. 9.

	Ref.	Part No.	Serial Number	Description	Qty.
▽		767767	(000000-	) Hub Assy, Front W/Brake	1
▲	1	767762	(000000-	) Kit, Seal, Brake	1
▲	2	767737	(000000-	) Flange, Driven	1
▲	3	39283	(000000-	) Screw, Hex, M10 X 1.5 X 25, 8.8	10
▲	4	767738	(000000-	) Nut	1
▲	5	767739	(000000-	) Washer	1
▲	6	761644	(000000-	) Bearing	1
▲	7	767764	(000000-	) Spacer	1
▲	8	761641	(000000-	) Stud	6
▲	9	767740	(000000-	) Hub, Wheel	1
▲	10	767741	(000000-	) Bearing	1
▲	11	761025	(000000-	) Nut, Wheel, Flng	6
▲	12	761647	(000000-	) Ring	1
▲	13	761646	(000000-	) Pin	2
▲	14	767763	(000000-	) Kit, Discs, Brake	1
▲	15	767745	(000000-	) Circlip	1
▲	16	767746	(000000-	) Cover	1
▲	17	767747	(000000-	) Screw	3
▲	18	767748	(000000-	) Spring	3
▲	19	767749	(000000-	) Hub, Brake	1
▲	20	767750	(000000-	) Plug	3
▲	21	761993	(000000-	) Washer	3
▲	22	767752	(000000-	) Piston	1
▲	23	767753	(000000-	) Screw, Bleed	1
▲	24	761613	(000000-	) Breather	1
▲	25	761643	(000000-	) Cover	1
▲	26	767742	(000000-	) Housing, Steering	1

Fig. 7 - Axle Differential Breakdown, Front

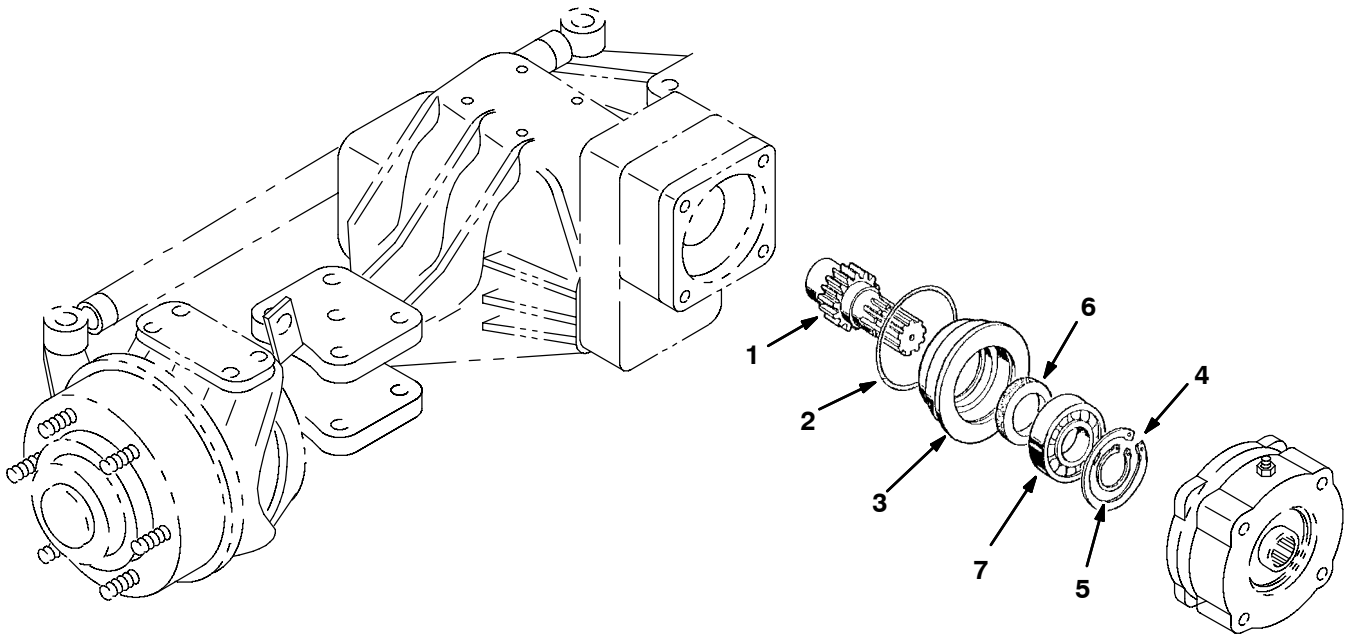


**Fig. 7 - Axle Differential Breakdown, Front**

NOTE: The Front Axle Breakdown, Tennant part number 1006065, includes Fig. 5, Fig. 6, Fig. 7, Fig. 8 and Fig. 9.

Ref.	Part No.	Serial Number	Description	Qty.
	1	39284	(000000- ) Screw, M10x1.5	8
▽	761988	(000000- )	Kit, Speed Reducer Gear Set	1
▲	2	761670	(000000- ) Bearing	1
▲	3	761672	(000000- ) Output Gear	1
▲	4	761655	(000000- ) Nut	1
	5	761682	(000000- ) Pin, M8x20	2
	6	761674	(000000- ) Spacer	1
	7	761650	(000000- ) Planetary Gear	2
	8	761651	(000000- ) Satellite Gear	2
	9	761652	(000000- ) Differential Pivot	1
	10	761653	(000000- ) Differential Flange	1
	11	761654	(000000- ) Retaining Ring	2
	12	761669	(000000- ) Lock Nut, D.25	1
	13	761649	(000000- ) Differential Housing	1
	14	761656	(000000- ) Spacer	1
	15	372944	(000000- ) Gear Assy, Ring And Pinion [13.6:1]	1
	16	761658	(000000- ) Planetary Spherical Washer	2
	17	761659	(000000- ) Satellite Spherical Washer	2
	18	761661	(000000- ) Spacer	2
	19	761662	(000000- ) Spacer	1
	20	761663	(000000- ) Screw, M12x20	1
	21	761665	(000000- ) Washer, A6	1
	22	761666	(000000- ) Bearing	1
	23	761667	(000000- ) Bearing	1
	24	761668	(000000- ) Bearing, 32012	2
	25	761608	(000000- ) Differential Cover	1
	26	761611	(000000- ) Washer	10
	27	41346	(000000- ) Screw, M12x30	9
	28	761614	(000000- ) Nut	1
	29	761678	(000000- ) Front Housing	1

**Fig. 8 - Axle Input Breakdown, Front**

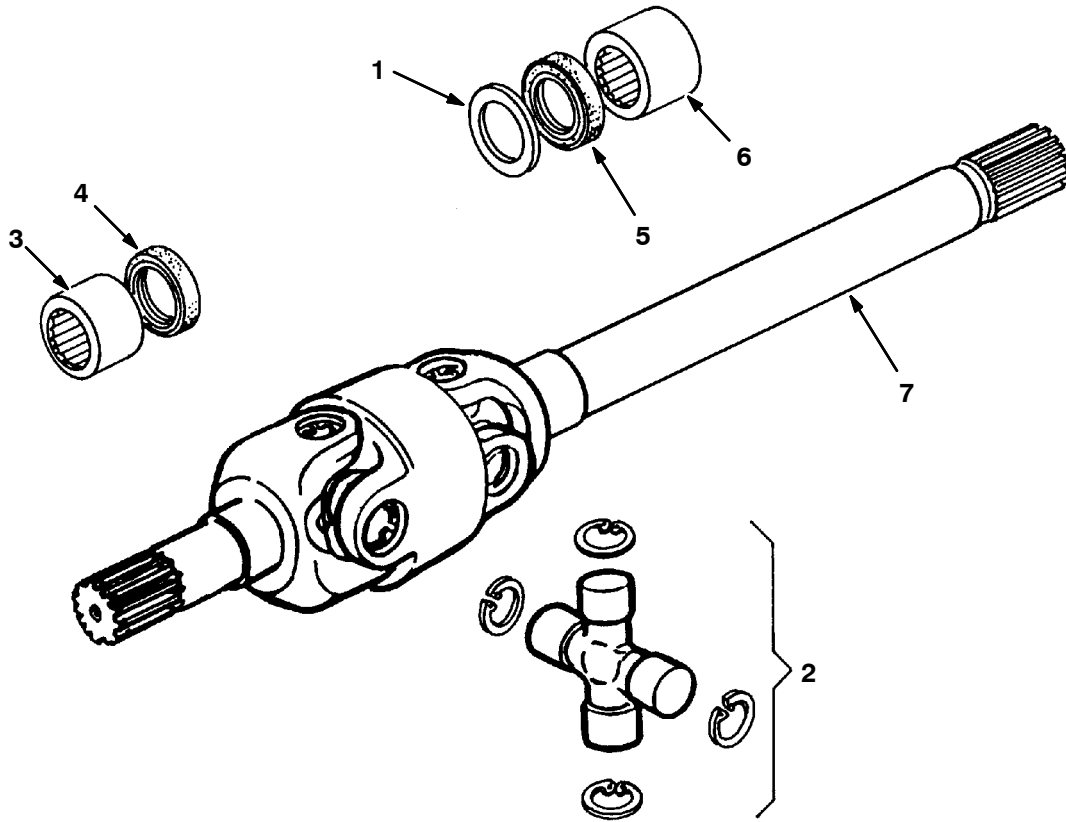


**Fig. 8 - Axle Input Breakdown, Front**

NOTE: The Front Axle Breakdown, Tennant part number 1006065, includes Fig. 5, Fig. 6, Fig. 7, Fig. 8 and Fig. 9.

Ref.	Part No.	Serial Number	Description	Qty.
1	767705	(000000-	) Gear, Input	1
2	372945	(000000-	) Seal, Hyd, O-ring 2.62mm X .88.57 Mm	1
3	767707	(000000-	) Bearing, Hub	1
4	767709	(000000-	) Circlip	1
5	767710	(000000-	) Circlip	1
6	1023437	(000000-	) Seal, Oil, 40mm B X 62mm D X 7mm H	1
7	1023442	(000000-	) Bearing, 35mm B X 72mm D X 17mm H	1

**Fig. 9 - Axle CV Joint Breakdown, Front**

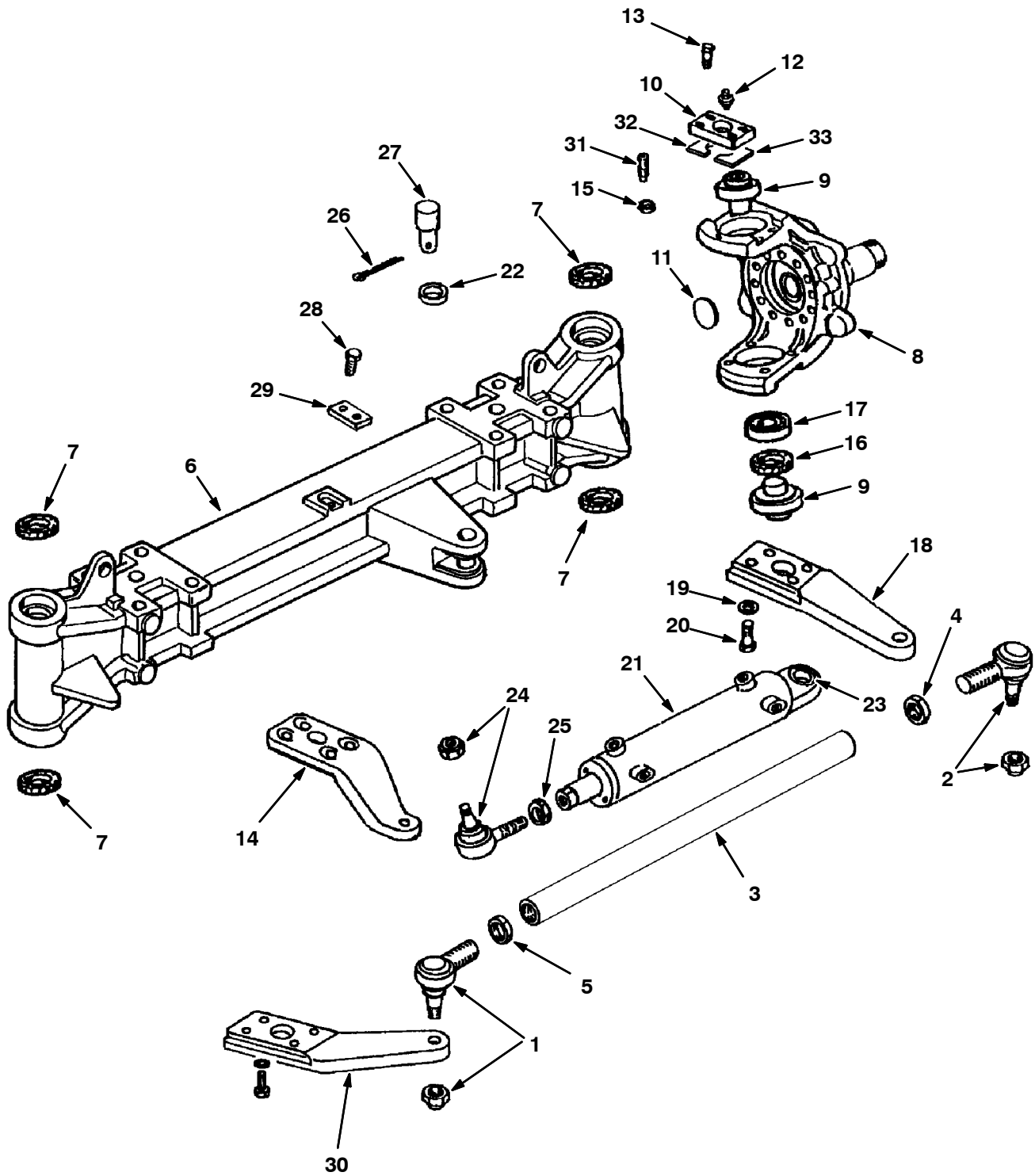


**Fig. 9 - Axle CV Joint Breakdown, Front**

NOTE: The Front Axle Breakdown, Tennant part number 1006065, includes Fig. 5, Fig. 6, Fig. 7, Fig. 8 and Fig. 9.

	Ref.	Part No.	Serial Number	Description	Qty.
▽		761986	(000000-	) Kit, Cv Joints	2
▲	1	761618	(000000-	) Dust Protector	1
▲	2	761660	(000000-	) Cross Bearing Kit	2
▲	3	761623	(000000-	) Bearing	1
▲	4	9001524	(000000-	) Seal, Oil, 42 X 55 X 8	1
▲	5	761625	(000000-	) Ring	1
▲	6	761626	(000000-	) Bearing	1
▲	7	1021410	(000000-	) Joint, U, Dbl	1

**Fig. 10 - Axle And Spindle Breakdown, Rear**



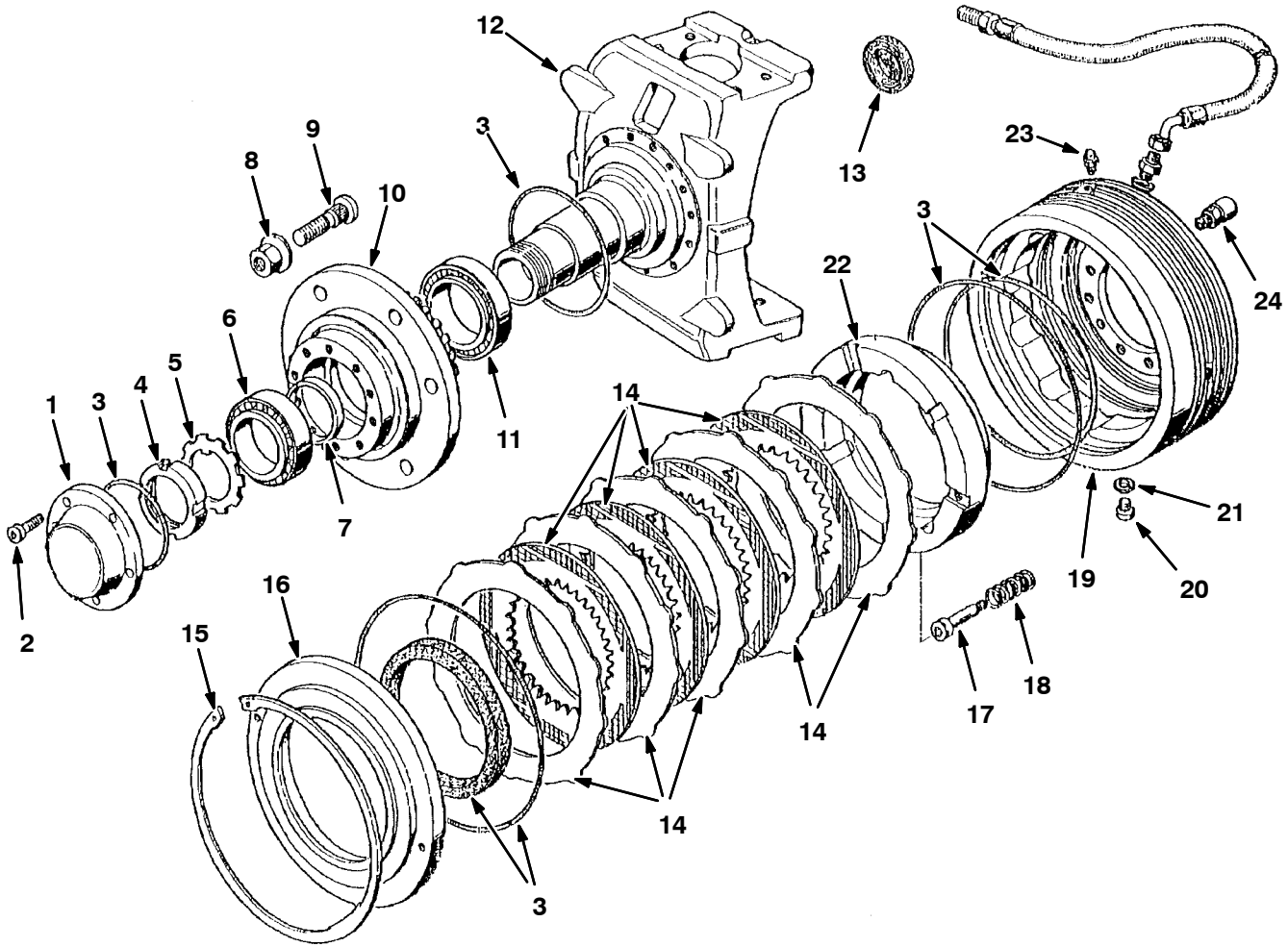


**Fig. 10 - Axle And Spindle Breakdown, Rear**

NOTE: The Rear Axle Breakdown, Tennant part number 767702, includes Fig. 10 and Fig. 11.

Ref.	Part No.	Serial Number	Description	Qty.	
1	761601	(000000-	) Rod End Pivot Lh	1	
2	761602	(000000-	) Rod End Pivot Rh	1	
3	761603	(000000-	) Steering Rod Rear	1	
4	761727	(000000-	) Nut, Rh	1	
5	761728	(000000-	) Nut, Lh	1	
6	767703	(000000-	) Rear Axle Housing	1	
7	761729	(000000-	) Cap, Dust	4	
8	767742	(000000-	) Housing, Steering	2	
9	761629	(000000-	) Pivoting Hub	4	
10	761630	(000000-	) Flange	1	
11	761643	(000000-	) Cover	2	
12	761631	(000000-	) Grease Zerk	4	
13	41346	(000000-	) Screw, M12x30	4	
14	761733	(000000-	) Lever, Steering, Upper, Rh	1	
15	08709	(000000-	) Nut, Self Lock M8	2	
16	761609	(000000-	) Gasket	4	
17	761610	(000000-	) Bearing	4	
18	761635	(000000-	) Lever, Steering, Lower, Lh	1	
19	761611	(000000-	) Washer	16	
20	06969	(000000-	) Screw, M12x40	12	
▽	21	762080	(000000-	) Cylinder, Hydraulic	1
▲	761714	(000000-	) Seal Kit, Cylinder	1	
22	761720	(000000-	) Spacer	1	
23	761715	(000000-	) Pivoting Hub	1	
24	761716	(000000-	) Rod End	1	
25	761717	(000000-	) Nut, M18x1.5	1	
26	08280	(000000-	) Cotter Pin	1	
27	769093	(000000-	) Cylinder Anchor Pin	1	
28	06960	(000000-	) Screw M10x16	1	
29	767704	(000000-	) Plate	1	
30	761732	(000000-	) Lever, Steering, Lower	1	
31	761607	(000000-	) Screw, M8x50	2	
32	9002764	(000000-	) Shim, Half, 0.10mm	2	
33	9002765	(000000-	) Shim, Half, 0.25mm	2	

**Fig. 11 - Axle Wheel Hub and Brake Breakdown, Rear**



**Fig. 11 - Axle Wheel Hub and Brake Breakdown, Rear**

NOTE: The Rear Axle Breakdown, Tennant part number 767702, includes Fig. 10 and Fig. 11.

	Ref.	Part No.	Serial Number	Description	Qty.
▽		767768	(000000-	) Axle Assembly, Rear W/Brake	1
▲	1	767734	(000000-	) Cover, Hub	1
▲	2	39283	(000000-	) Screw, Hex, M10 X 1.5 X 25, 8.8	5
▲	3	767762	(000000-	) Kit, Seal, Brake	1
▲	4	767738	(000000-	) Nut	1
▲	5	767739	(000000-	) Washer	1
▲	6	761644	(000000-	) Bearing	1
▲	7	767764	(000000-	) Spacer	1
▲	8	761025	(000000-	) Nut, Lug, Flanged	6
▲	9	761641	(000000-	) Stud	6
▲	10	767740	(000000-	) Hub, Wheel	1
▲	11	767741	(000000-	) Bearing	1
▲	12	767742	(000000-	) Housing, Steering	1
▲	13	767735	(000000-	) Gasket	1
▲	14	767763	(000000-	) Kit, Discs, Brake	1
▲	15	767745	(000000-	) Circlip	1
▲	16	767746	(000000-	) Cover	1
▲	17	767747	(000000-	) Screw	3
▲	18	767748	(000000-	) Spring	3
▲	19	767749	(000000-	) Hub, Brake	1
▲	20	767750	(000000-	) Plug	3
▲	21	761993	(000000-	) Washer	3
▲	22	767752	(000000-	) Piston	1
▲	23	767753	(000000-	) Screw, Bleed	1
▲	24	761613	(000000-	) Breather	1

**Fig. 12 - Cat Pump Breakdown, 762260**

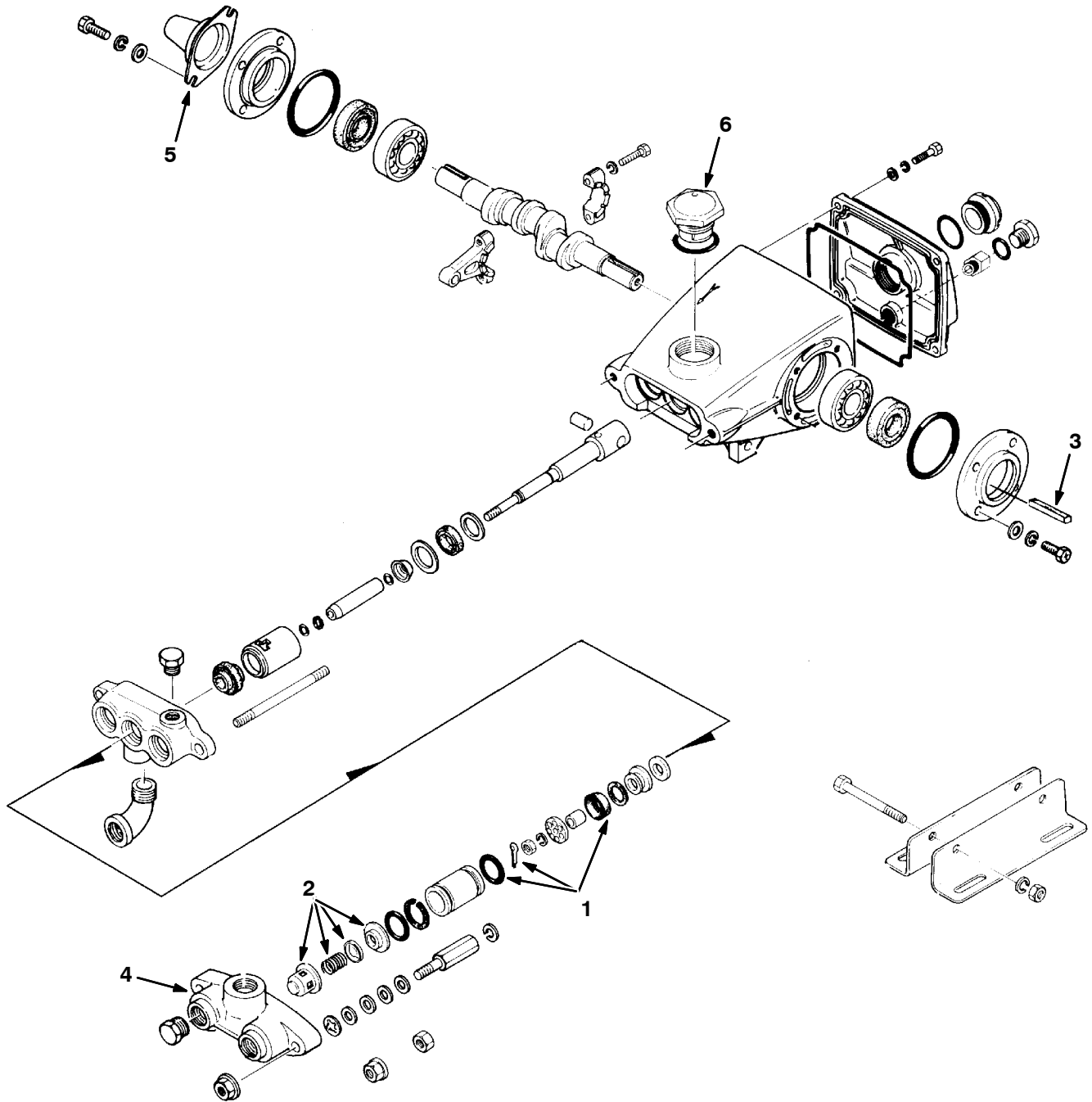


Fig. 12 - Cat Pump Breakdown, 762260

	Ref.	Part No.	Serial Number	Description	Qty.
▽		762260	(000000-	) Pump Breakdown, Cat	1
▲		40144-4	(000000-	) Oil, Crankcase (For 1 oil change)	1
▲	1	40144-21	(000000-	) Cup Kit	1
▲	2	40144-22	(000000-	) Dischrg Quiet Vlv Kit	1
▲	3	40144-6	(000000-	) Key, 5mm	1
▲	4	37778	(000000-	) Disc. Manifold	1
▲	5	38321	(000000-	) Cover, Pump	1
▲	6	37573	(000000-	) Cap, Oil Filler	1

**Fig. 13 - Hydraulic Solenoid Valve Breakdown, 768899**

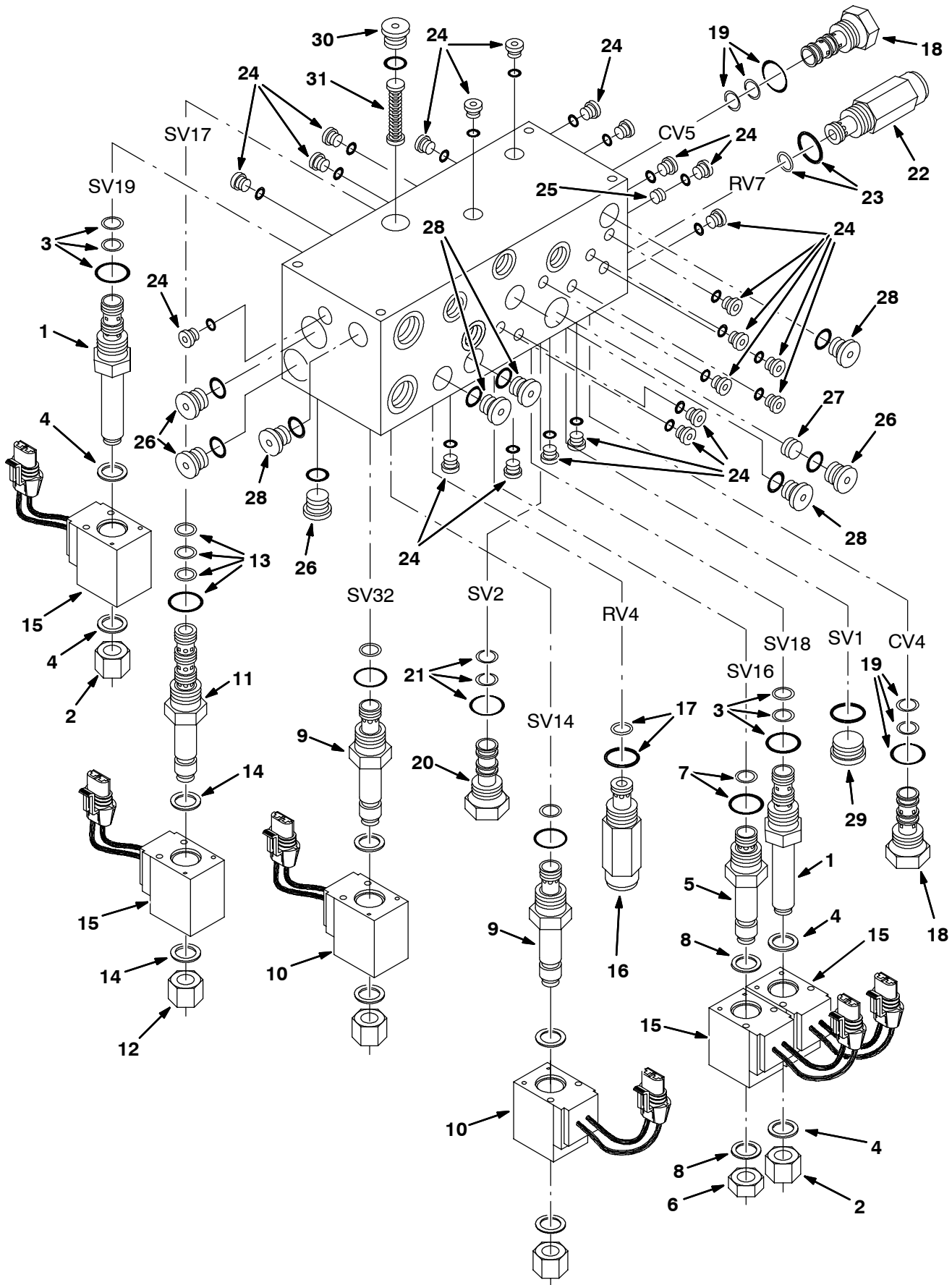
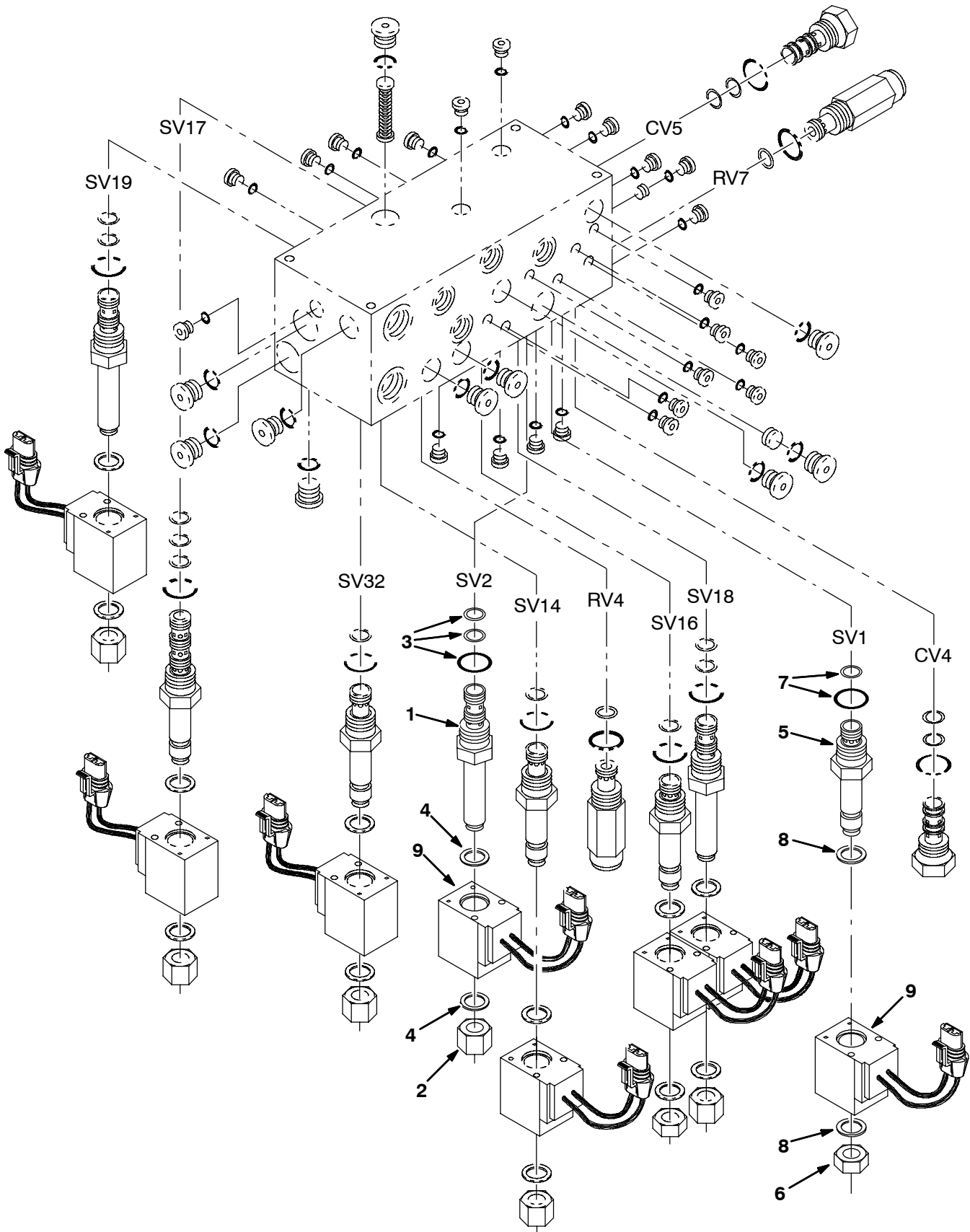


Fig. 13 - Hydraulic Solenoid Valve Breakdown, 768899

	Ref.	Part No.	Serial Number	Description	Qty.
▽		768899	(000000-	) Valve, Hyd Control Sol	1
▲▽	1	79718	(000000-	) Valve Stem 3W2P	2
▲▲	2	79731	(000000-	) Nut	1
▲▲	3	79711	(000000-	) Seal Kit, Cart	1
▲▲	4	79740	(000000-	) Seal Kit, Coil	2
▲▽	5	79716	(000000-	) Valve Stem	1
▲▲	6	79728	(000000-	) Nut	1
▲▲	7	79711	(000000-	) Seal Kit, Cart	1
▲▲	8	79740	(000000-	) Seal Kit, Coil	2
▲▽	9	22680	(000000-	) Valve Stem N.O. Cp	2
▲	10	22685	(000000-	) Coil, 12V Cp	2
▲▽	11	79719	(000000-	) Valve Stem 4W2P	1
▲▲	12	79731	(000000-	) Nut	1
▲▲	13	79711	(000000-	) Seal Kit, Cart	1
▲▲	14	79740	(000000-	) Seal Kit, Coil	2
▲	15	21916	(000000-	) Coil, 12V Cp	4
▲▽	16	22689	(000000-	) Cart, Psi Cn Cp	1
▲▲	17	79711	(000000-	) Seal Kit, Cart	1
▲▽	18	373417	(000000-	) Cart, Pilot Chk	2
▲▲	19	79711	(000000-	) Seal Kit, Cart	1
▲▽	20	22687	(000000-	) Plug, Cavity Cp	1
▲▲	21	79711	(000000-	) Seal Kit, Cart	1
▲▽	22	22688	(000000-	) Cart, Psi Cn Cp	1
▲▲	23	79711	(000000-	) Seal Kit, Cart	1
▲	24	13902	(000000-	) Plug	26
▲	25	79723	(000000-	) Plug	2
▲	26	13904	(000000-	) Plug, Gauge	5
▲	27	22690	(000000-	) Plug, Orifice Cp	1
▲	28	74098	(000000-	) Plug	6
▲	29	74099	(000000-	) Plug	1
▲	30	13907	(000000-	) Plug	1
▲	31	373418	(000000-	) Filter, 10 Micron	1

**Fig. 14 - Hydraulic Solenoid Valve Breakdown, 768899  
(For High Dump Hopper Lift Option)**





**Fig. 14 - Hydraulic Solenoid Valve Breakdown, 768899  
(For High Dump Hopper Lift Option)**

	<b>Ref.</b>	<b>Part No.</b>	<b>Serial Number</b>	<b>Description</b>	<b>Qty.</b>
▽		768899	(000000-	) Valve, Hyd Control Sol	1
▲▽	1	21906	(000000-	) Stem, Valve, Hyd 3w2p	1
▲▲	2	79731	(000000-	) Nut	1
▲▲	3	79711	(000000-	) Seal Kit, Cart	1
▲▲	4	79740	(000000-	) Seal Kit, Coil	2
▲▽	5	79716	(000000-	) Valve Stem	1
▲▲	6	79728	(000000-	) Nut	1
▲▲	7	79711	(000000-	) Seal Kit, Cart	1
▲▲	8	79740	(000000-	) Seal Kit, Coil	2
▲	9	21916	(000000-	) Coil, 12V Cp	2

**Fig. 15 - Hydraulic Solenoid Valve Breakdown, 767009**

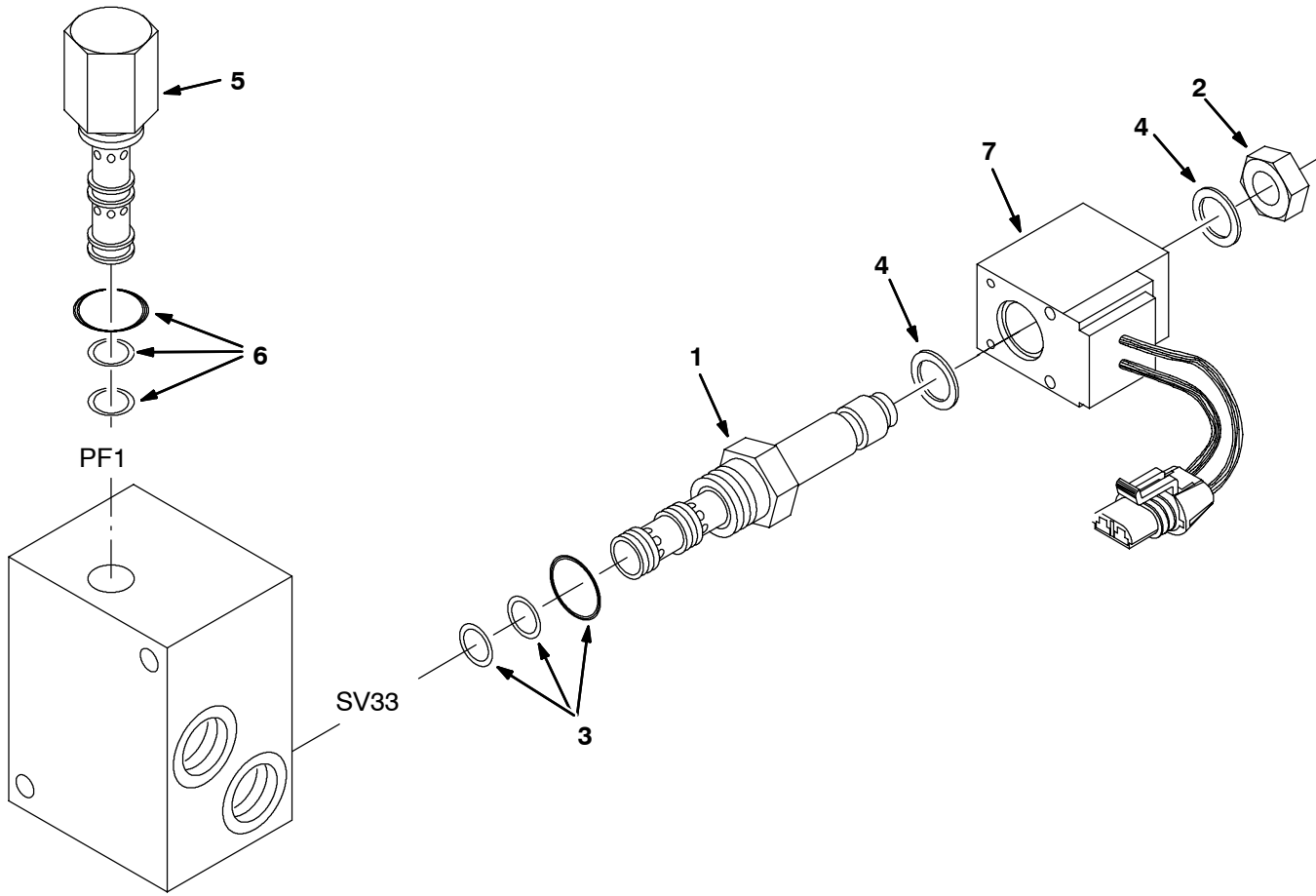


Fig. 15 - Hydraulic Solenoid Valve Breakdown, 767009

	Ref.	Part No.	Serial Number	Description	Qty.
▽		767009	(000000-	) Valve, Hyd Cntrl Sol	1
▲▽	1	79716	(000000-	) Valve Stem	1
▲▲	2	79728	(000000-	) Nut	1
▲▲	3	79711	(000000-	) Seal Kit, Cart	1
▲▲	4	79740	(000000-	) Seal Kit, Coil	2
▲▽	5	22692	(000000-	) Cart, Priority Cp	1
▲▲	6	22699	(000000-	) Seal Kit, Cart. Cp	1
▲	7	21916	(000000-	) Solenoid, 12V	1

**Fig. 16 - Hydraulic Steering Valve Breakdown, 771014**

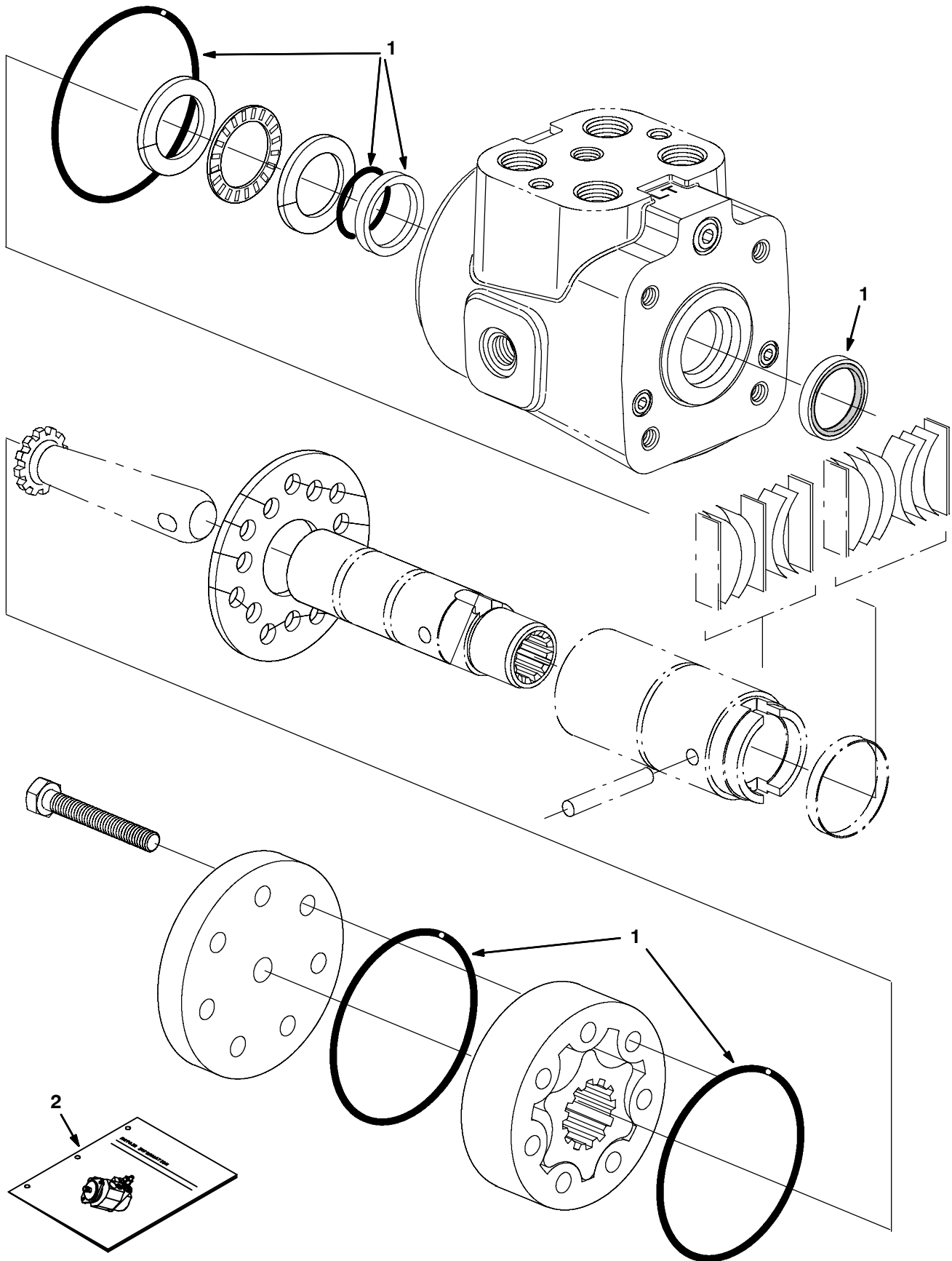


Fig. 16 - Hydraulic Steering Valve Breakdown, 771014

	Ref.	Part No.	Serial Number	Description	Qty.
▽		771014	(000000-	) Steer-control, Hyd, 10 04.5 4000	1
▲	1	373619	(000000-	) Seal Kit, Scu	1
	2	373620	(000000-	) Instr, Repair, Scu	1

**Fig. 17 - Hydraulic Solenoid Valve Breakdown, 771010**

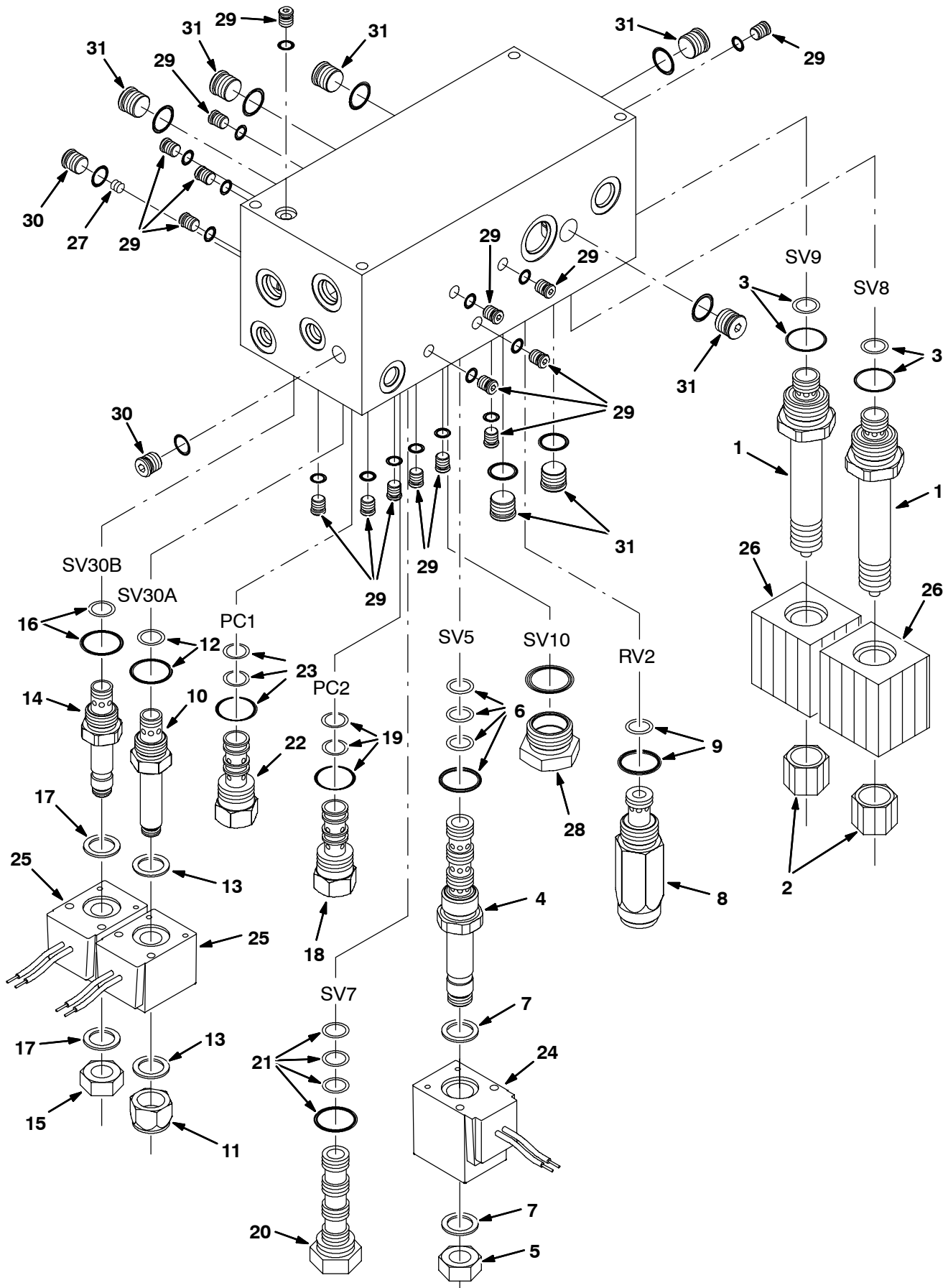
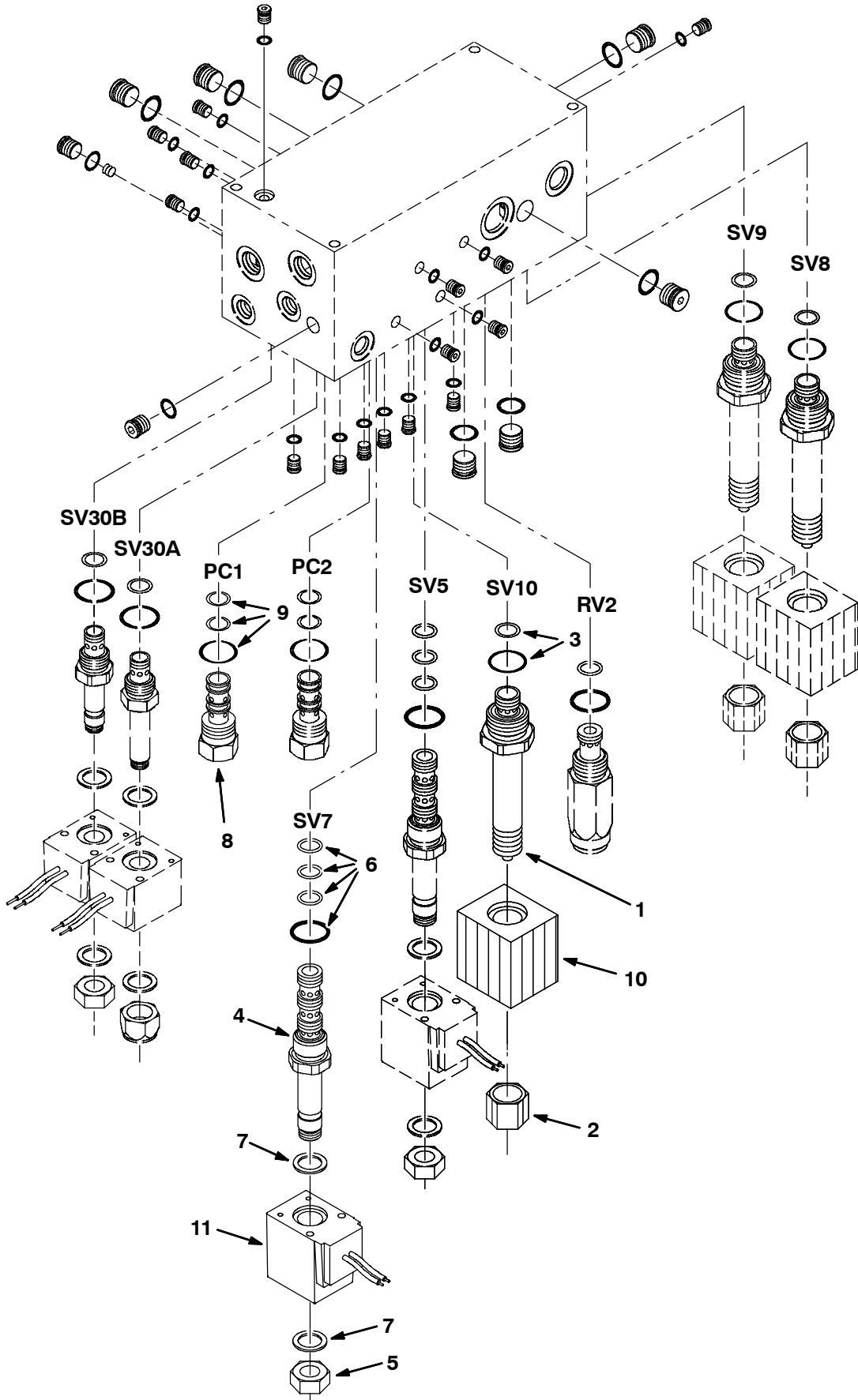


Fig. 17 - Hydraulic Solenoid Valve Breakdown, 771010

	Ref.	Part No.	Serial Number	Description	Qty.
▽		771010	(000000-	) Valve, Hyd, Sol, 12vdc [07s24g3000]	1
▲▽	1	373610	(000000-	) Valve, Stem, No	2
▲▲	2	373611	(000000-	) Nut, Coil	1
▲▲	3	373594	(000000-	) Kit, Seal, Cartridge	1
▲▽	4	79719	(000000-	) Stem, Valve, Hyd,4w2p {Cec}	1
▲▲	5	79728	(000000-	) Nut, Cart, Valve, Hyd Cec	1
▲▲	6	79711	(000000-	) Seal Kit, Cartridge	1
▲▲	7	79740	(000000-	) Kit, Seal, Valve, Hyd [Cec]	1
▲▽	8	373609	(000000-	) Valve, Cartridge, Relief	1
▲▲	9	79711	(000000-	) Seal Kit, Cartridge	1
▲▽	10	768891	(000000-	) Valve, Stem, No Poppet	1
▲▲	11	373416	(000000-	) Nut, Cartridge	1
▲▲	12	373342	(000000-	) Seal Kit, Cartridge	1
▲▲	13	373361	(000000-	) Seal Kit, Coil [Cp]	1
▲▽	14	768890	(000000-	) Valve, Stem, Nc Poppet	1
▲▲	15	373360	(000000-	) Nut, Cartridge [Cp]	1
▲▲	16	373342	(000000-	) Seal Kit, Cartridge	1
▲▲	17	373361	(000000-	) Seal Kit, Coil [Cp]	1
▲▽	18	373553	(000000-	) Valve, Check	1
▲▲	19	48834	(000000-	) Seal Kit, Valve, Hyd	1
▲▽	20	373489	(000000-	) Plug	1
▲▲	21	79711	(000000-	) Seal Kit, Cartridge	1
▲▽	22	373556	(000000-	) Plug, Cav	1
▲▲	23	48834	(000000-	) Seal Kit, Valve, Hyd	1
▲	24	21916	(000000-	) Solenoid, 12vdc, Valve, Hyd Cec	1
▲	25	22681	(000000-	) Coil, 12vdc	2
▲	26	373478	(000000-	) Solenoid, Hyd, 12 Vdc, 12 Watt	2
▲	27	21920	(000000-	) Plug, Orifice Cp	1
▲	28	33817	(000000-	) Fitting, Hyd, Plug, Om12	1
▲	29	13902	(000000-	) Fitting, Hyd, Plug, Om02	16
▲	30	74098	(000000-	) Fitting, Hyd, Plug, Om04	2
▲	31	13904	(000000-	) Fitting, Plug, Org, #6, Valve, Cec	7

**Fig. 18 - Hydraulic Solenoid Valve Breakdown, 771010  
(For Left Hand Side Brush Option)**





**Fig. 18 - Hydraulic Solenoid Valve Breakdown, 771010  
(For Left Hand Side Brush Option)**

	<b>Ref.</b>	<b>Part No.</b>	<b>Serial Number</b>	<b>Description</b>	<b>Qty.</b>
▽		771010	(000000-	) Valve, Hyd, Sol, 12vdc [07s24g3000]	1
▲▽	1	373610	(000000-	) Valve, Stem, No	1
▲▲	2	373611	(000000-	) Nut, Coil	1
▲▲	3	373594	(000000-	) Kit, Seal, Cartridge	1
▲▽	4	79719	(000000-	) Stem, Valve, Hyd,4w2p {Cec}	1
▲▲	5	79728	(000000-	) Nut, Cart, Valve, Hyd Cec	1
▲▲	6	79711	(000000-	) Seal Kit, Cartridge	1
▲▲	7	79740	(000000-	) Kit, Seal, Valve, Hyd [Cec]	1
▲▽	8	373602	(000000-	) Valve, Cartridge, Pilot Check	1
▲▲	9	373603	(000000-	) Seal Kit, Cartridge	1
▲	10	373478	(000000-	) Solenoid, Hyd, 12 Vdc, 12 Watt	1
▲	11	21916	(000000-	) Solenoid, 12vdc, Valve, Hyd [Cec]	1

**Fig. 19 - Hydraulic Solenoid Valve Breakdown, 771019**

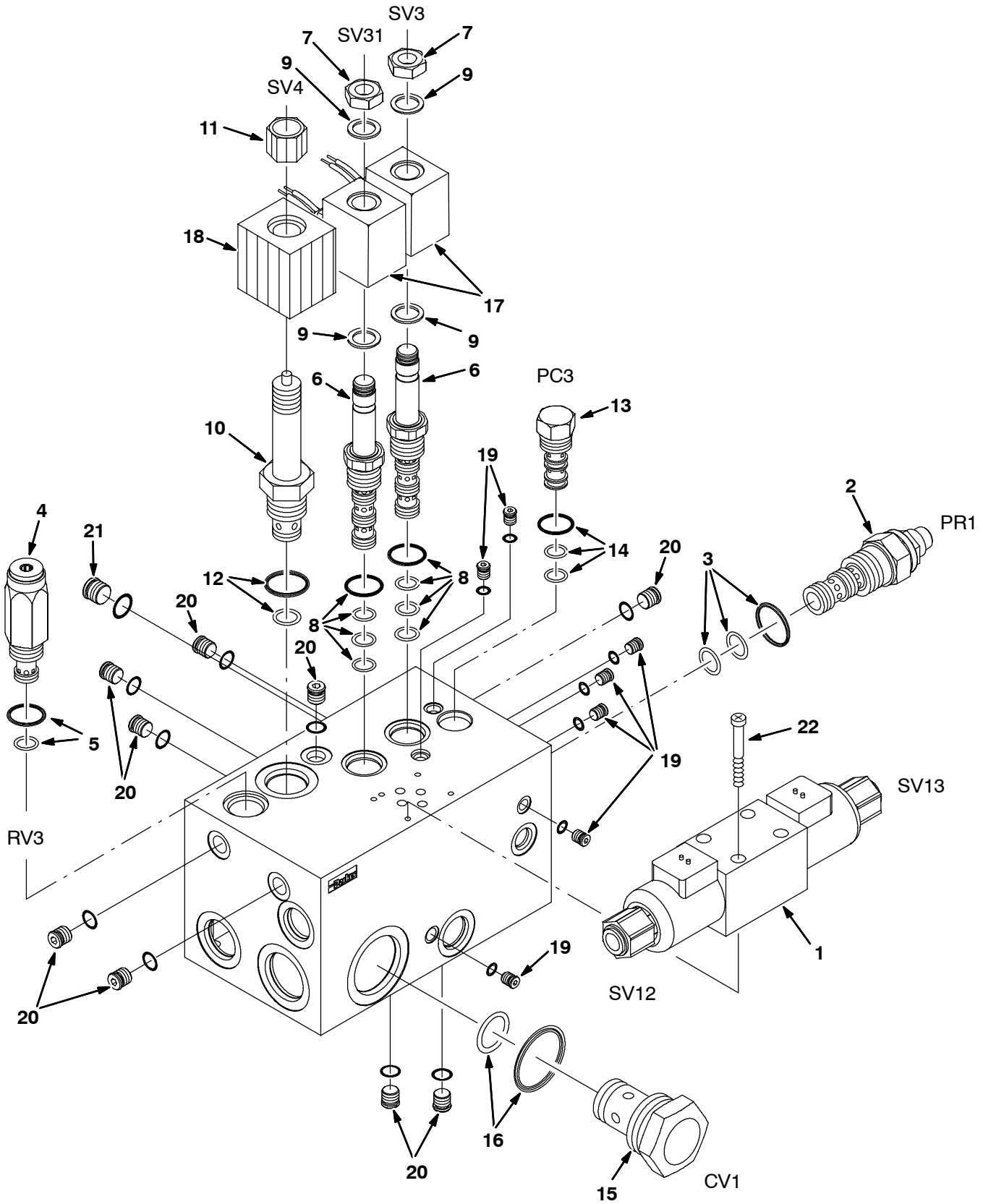


Fig. 19 - Hydraulic Solenoid Valve Breakdown, 771019

	Ref.	Part No.	Serial Number	Description	Qty.
▽		771019	(000000-	) Valve, Hyd, Sol, 12vdc [05s13g3000]	1
▲	1	373614	(000000-	) Valve [3p4w Do3]	1
▲▽	2	373612	(000000-	) Valve, Cntrl, Psi	1
▲▲	3	373594	(000000-	) Kit, Seal, Cartridge	1
▲▽	4	22689	(000000-	) Kit, Cartridge, Control, Psi	1
▲▲	5	79711	(000000-	) Seal Kit, Cartridge	1
▲▽	6	79719	(000000-	) Stem, Valve, Hyd,4w2p {Cec}	2
▲▲	7	79728	(000000-	) Nut, Cart, Valve, Hyd Cec	1
▲▲	8	79711	(000000-	) Seal Kit, Cartridge	1
▲▲	9	79740	(000000-	) Kit, Seal, Valve, Hyd [Cec]	1
▲▽	10	373610	(000000-	) Valve, Stem, No	1
▲▲	11	373611	(000000-	) Nut, Coil	1
▲▲	12	373594	(000000-	) Kit, Seal, Cartridge	1
▲▽	13	373553	(000000-	) Valve, Check	1
▲▲	14	48834	(000000-	) Seal Kit, Valve, Hyd	1
▲▽	15	373613	(000000-	) Valve, Check	1
▲▲	16	373463	(000000-	) Kit, Seal, Valve	1
▲	17	21916	(000000-	) Solenoid, 12vdc, Valve, Hyd Cec	2
▲	18	373478	(000000-	) Solenoid, Hyd, 12 Vdc, 12 Watt	1
▲	19	13902	(000000-	) Fitting, Hyd, Plug, Om02	7
▲	20	74098	(000000-	) Fitting, Hyd, Plug, Om04	9
▲	21	13904	(000000-	) Fitting, Plug, Org, #6, Valve, Cec	1
▲	22	373615	(000000-	) Screw, Soc, #10-24 X 1.25	4

**Fig. 20 - Hydraulic Solenoid Valve Breakdown, 771011**

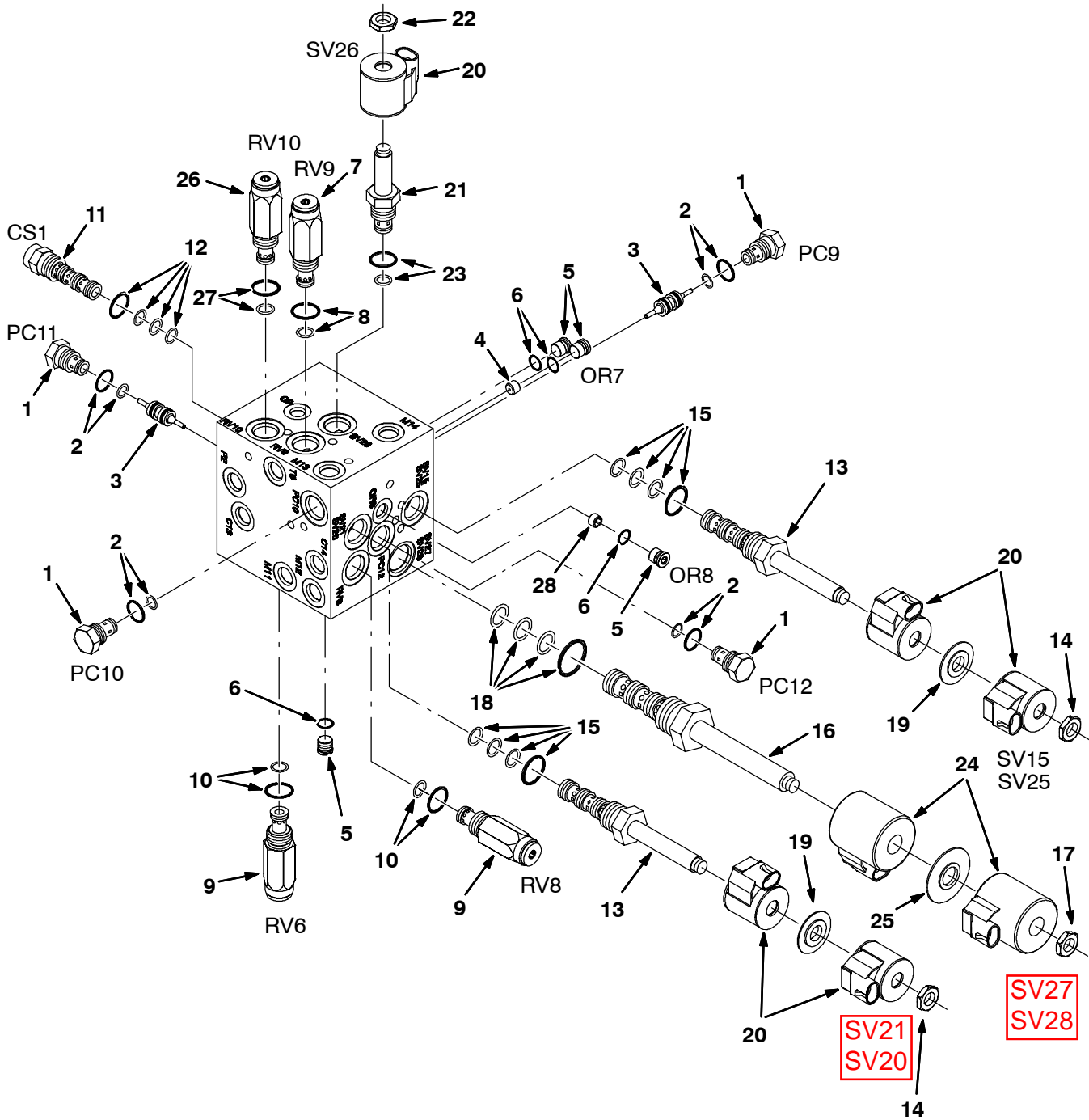


Fig. 20 - Hydraulic Solenoid Valve Breakdown, 771011

	Ref.	Part No.	Serial Number	Description	Qty.
▽		771011	(000000-	) Valve, Hyd, Solenoid, 12vdc [07s06g3000]	1
▲▽	1	373631	(000000-	) Valve, Check	4
▲▲	2	373647	(000000-	) Seal Kit, Cartridge	1
▲	3	373632	(000000-	) Spool, Pilot, Hd	2
▲	4	373633	(000000-	) Plug, Orifice, Valve, Hyd, .040	1
▲▽	5	74098	(000000-	) Fitting, Hyd, Plug, Om04	4
▲▲	6	77003	(000000-	) Seal, Org, .072 X 00.35id #04	1
▲▽	7	373634	(000000-	) Valve, Relief	1
▲▲	8	373647	(000000-	) Seal Kit, Cartridge	1
▲▽	9	373635	(000000-	) Valve, Relief	2
▲▲	10	373647	(000000-	) Seal Kit, Cartridge	1
▲▽	11	373636	(000000-	) Valve, Cntrl, Flow, Hyd	1
▲▲	12	373646	(000000-	) Seal Kit, Cartridge	1
▲▽	13	373637	(000000-	) Valve, Cntrl, Solenoid	2
▲▲	14	373648	(000000-	) Nut, Coil, F/#8	1
▲▲	15	373647	(000000-	) Seal Kit, Cartridge	1
▲▽	16	373638	(000000-	) Valve, Cntrl, Solenoid	1
▲▲	17	373648	(000000-	) Nut, Coil, F/#8	1
▲▲	18	373646	(000000-	) Seal Kit, Cartridge	1
▲	19	373639	(000000-	) Spacer, Coil, #8	2
▲	20	373640	(000000-	) Solenoid, #8, 12vdc	5
▲▽	21	373641	(000000-	) Valve, Cntrl, Solenoid	1
▲▲	22	373648	(000000-	) Nut, Coil, F/#8	1
▲▲	23	373647	(000000-	) Seal Kit, Cartridge	1
▲	24	373642	(000000-	) Solenoid, #10, 12vdc	2
▲	25	373643	(000000-	) Spacer, Coil, #10	1
▲▽	26	373644	(000000-	) Valve, Relief	1
▲▲	27	373647	(000000-	) Seal Kit, Cartridge	1
▲	28	373645	(000000-	) Plug, Orifice, Valve, Hyd, .026	1

**Fig. 21 - Hydraulic Solenoid Valve Breakdown, 771012**

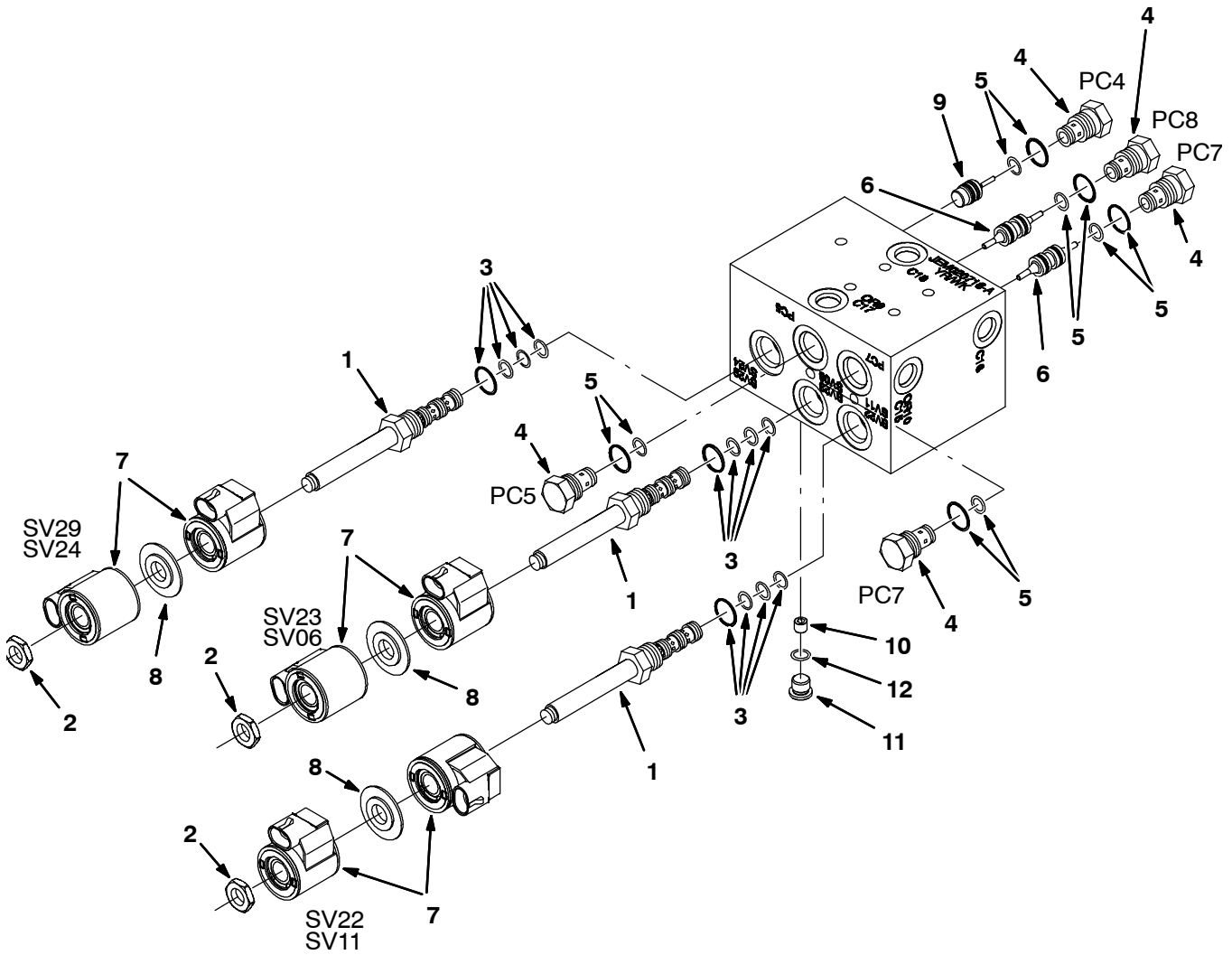


Fig. 21 - Hydraulic Solenoid Valve Breakdown, 771012

	Ref.	Part No.	Serial Number	Description	Qty.
▽		771012	(000000-	) Valve, Hyd, Solenoid, 12vdc [07s03g3000]	1
▲▽	1	373637	(000000-	) Valve, Cntrl, Solenoid	3
▲▲	2	373648	(000000-	) Nut, Coil, F/#8	1
▲▲	3	373647	(000000-	) Seal Kit, Cartridge	1
▲▽	4	373631	(000000-	) Valve, Check	5
▲▲	5	373647	(000000-	) Seal Kit, Cartridge	1
▲	6	373649	(000000-	) Spool, Pilot	2
▲	7	373640	(000000-	) Solenoid, #8, 12vdc	6
▲	8	373639	(000000-	) Spacer, Coil, #8	3
▲	9	373650	(000000-	) Spool, Pilot	1
▲	10	373651	(000000-	) Plug, Orifice, Valve, Hyd, .030	1
▲▽	11	74098	(000000-	) Fitting, Hyd, Plug, Om04	1
▲	12	77003	(000000-	) Seal, Org, .072 X 00.35id #04	1





## SECTION 5

Contents	Page
Fig. 1 - Balancer Group .....	5-2
Fig. 2 - Water Connection Group .....	5-4
Fig. 3 - Engine Oil Cooler Group .....	5-6
Fig. 4 - Valve Mechanism Cover Group .....	5-8
Fig. 5 - Front Housing Cover Group .....	5-10
Fig. 6 - Fuel Filter Group .....	5-12
Fig. 7 - Front Housing Group .....	5-14
Fig. 8 - Glow Plug Group .....	5-16
Fig. 9 - Engine Lifting Group .....	5-17
Fig. 10 - Exhaust Manifold Group .....	5-18
Fig. 11 - Exhaust Fastener Group .....	5-19
Fig. 12 - Engine Plug Group .....	5-20
Fig. 13 - Engine Plug Group .....	5-21
Fig. 14 - Fan Drive Group .....	5-22
Fig. 15 - Crankshaft Pulley Group .....	5-23
Fig. 16 - Oil Pan Group .....	5-24
Fig. 17 - Exhaust Pipe Group .....	5-26
Fig. 18 - Fuel Injection Pump Group .....	5-28
Fig. 19 - Water Pump Group .....	5-30
Fig. 20 - Pressure Switch Group .....	5-32
Fig. 21 - Camshaft Group .....	5-33
Fig. 22 - Crankshaft Group .....	5-34
Fig. 23 - Cylinder Block Group .....	5-36
Fig. 24 - Cylinder Head Group .....	5-38
Fig. 25 - Piston and Rod Group .....	5-40
Fig. 26 - Valve Mechanism Group .....	5-42

Fig. 1 - Balancer Group

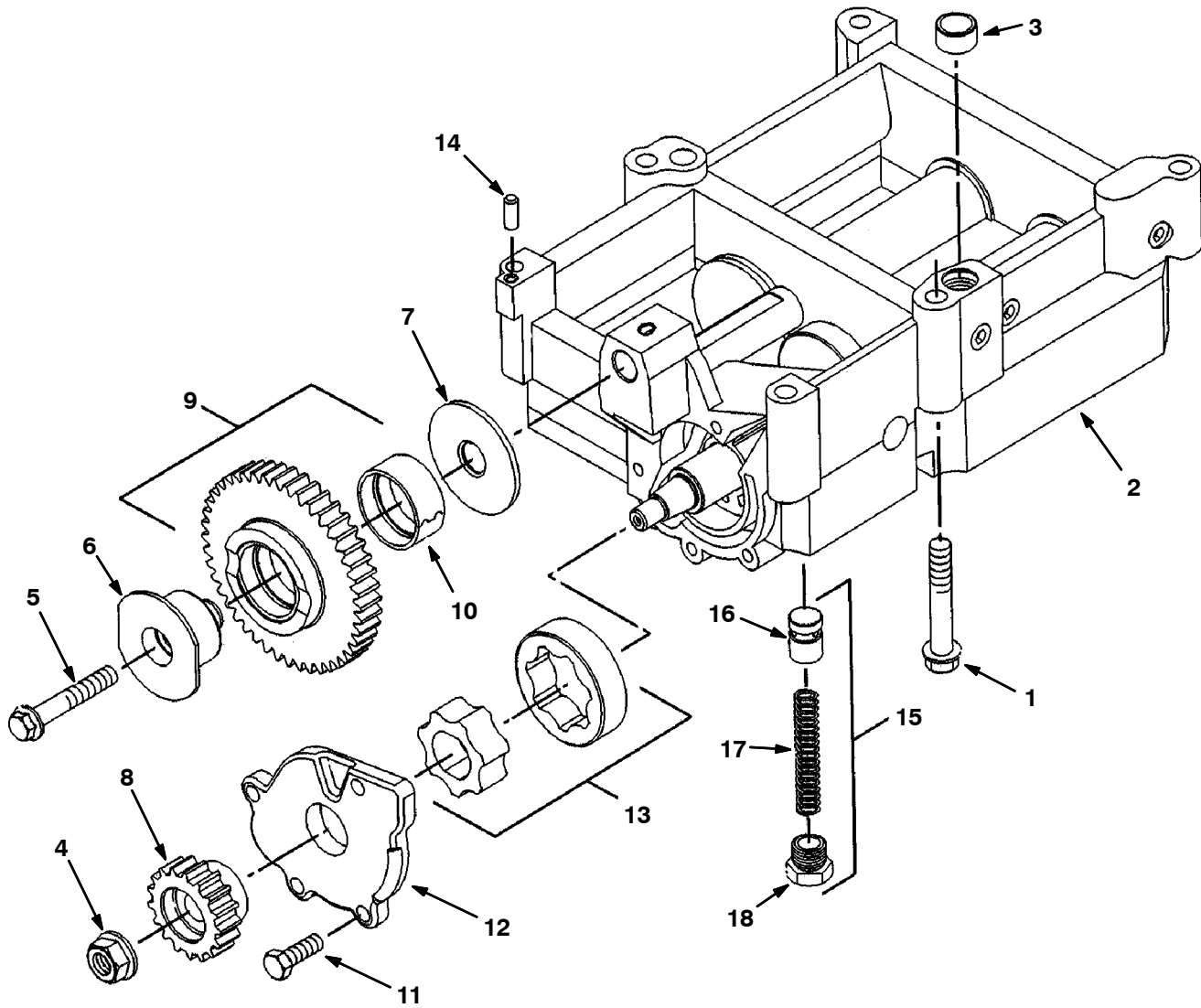


Fig. 1 - Balancer Group

	Ref.	Part No.	Description	Qty.	
		1	372069	Bolt, M10 X 1.5 X 70mm	6
▽		2	372070	Balancer	1
▲		3	372071	Dowel	1
▲		4	372072	Nut	1
▲		5	372073	Bolt	1
▲		6	372074	Gear, Shaft	1
▲		7	372075	Washer, Thrust	1
▲		8	372076	Gear, Balancer, 17tooth	1
▲▽		9	372077	Gear, 44tooth	1
▲▲		10	372078	Bearing	1
▲		11	372079	Bolt	5
▲		12	372080	Cover	1
▲		13	372081	Rotor	1
▲		14	372082	Dowel	1
▲▽		15	372083	Valve, Relief, Press, Oil, Eng	1
▲▲		16	372084	Plunger	1
▲▲		17	372085	Spring	1
▲▲		18	372086	Plug, Retainer	1

Fig. 2 - Water Connection Group

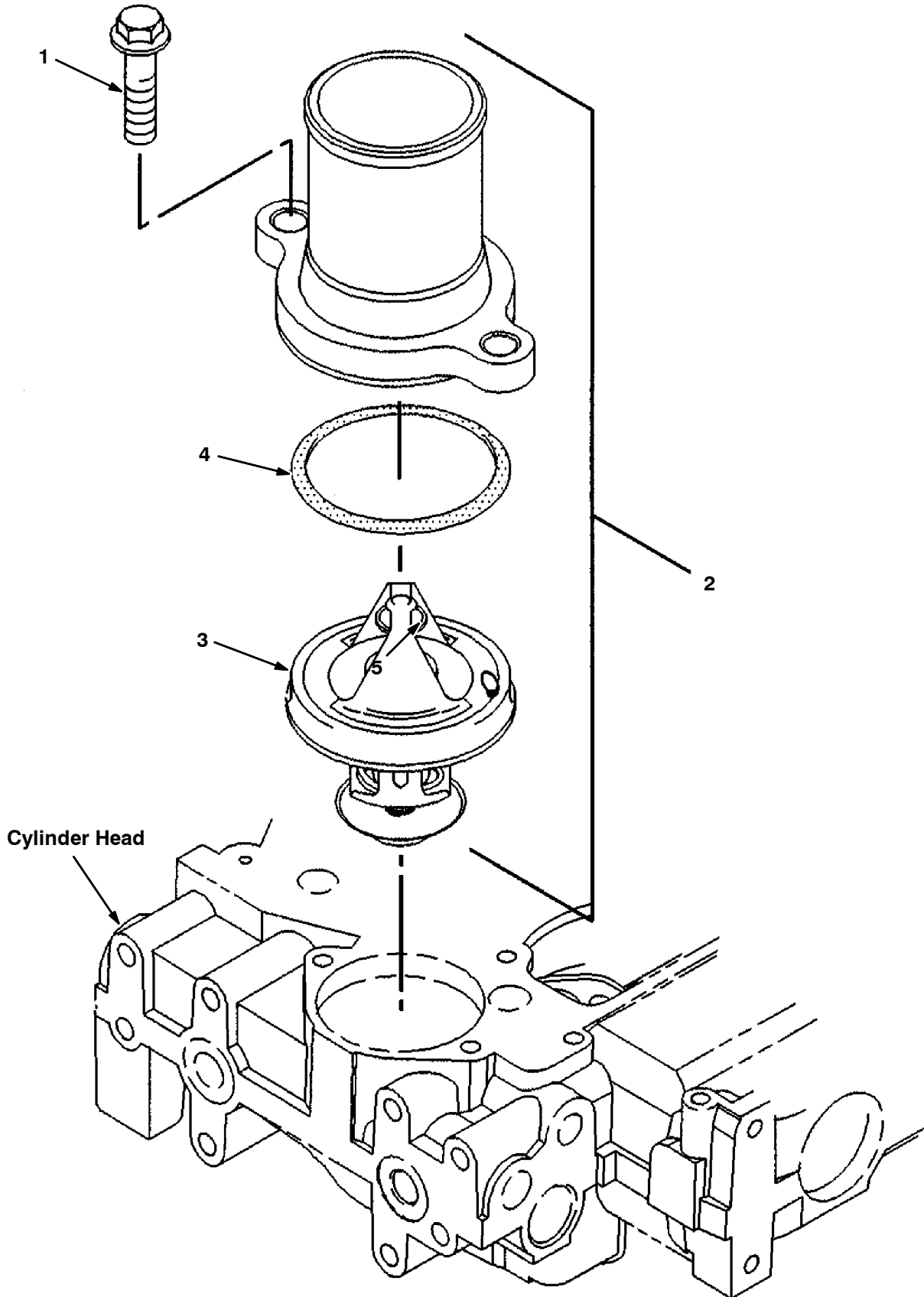


Fig. 2 - Water Connection Group

	<b>Ref.</b>	<b>Part No.</b>	<b>Description</b>	<b>Qty.</b>
	1	372087	Bolt, M8 X 1.25 X 25mm	2
▽	2	372088	Regulator Assy, Temp, Water	1
▲	3	372089	Regulator, Temp, Water	1
▲	4	372090	Seal, Org, Reg, Temp, Water	1

Fig. 3 - Engine Oil Cooler Group

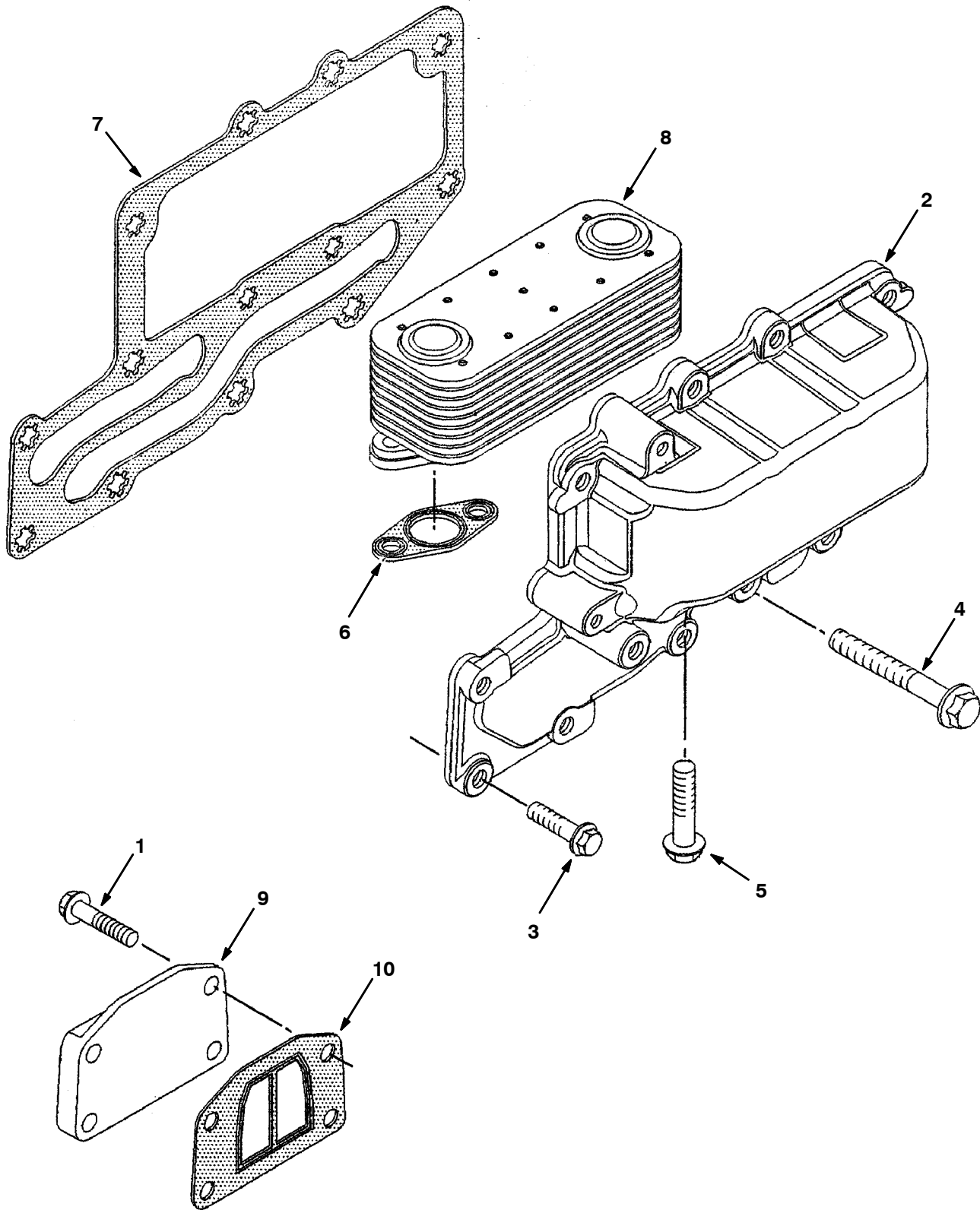


Fig. 3 - Engine Oil Cooler Group

	<b>Ref.</b>	<b>Part No.</b>	<b>Description</b>	<b>Qty.</b>
	1	372091	Bolt, M8 X 1.25 X 25mm	8
▽	2	372253	Cooler Assy, Oil	1
▲	3	372087	Bolt, M8 X 1.25 X 25mm	10
▲	4	372094	Bolt	3
▲	5	372095	Bolt, M8 X 1.25 X 35mm	4
▲	6	372096	Seal	2
▲	7	372097	Gasket	1
▲	8	372254	Cooler, Oil	1
	9	372099	Plate	1
	10	372100	Gasket	1

Fig. 4 - Valve Mechanism Cover Group

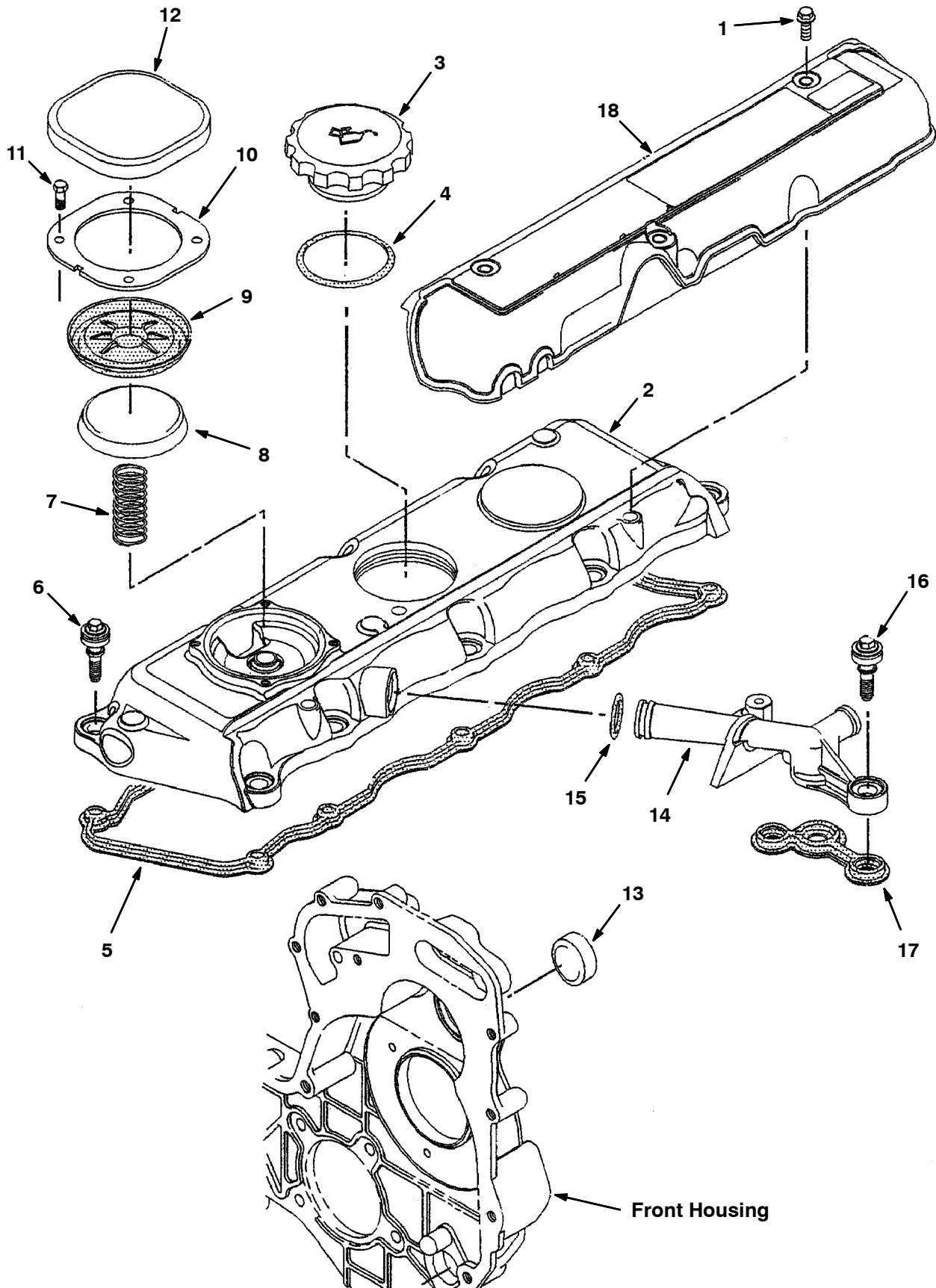




Fig. 4 - Valve Mechanism Cover Group

	Ref.	Part No.	Description	Qty.
	1	372405	Bolt, M6 X 1.0 X 14mm	3
▽	2	372406	Cover, Valve	1
▲▽	3	372407	Cap, Filler, Oil	1
▲▲	4	372408	Seal, Cap, Oil Filler	1
▲	5	372259	Gasket, Cover, Valve	1
▲	6	372409	Bolt	12
▲	7	372410	Spring	1
▲	8	372411	Cap	1
▲	9	372412	Partition, Diaphragm	1
▲	10	372413	Plate	1
▲	11	372414	Screw	4
▲	12	372415	Cap	1
	13	372416	Plug, Cup	1
▽	14	372422	Tube, Connecting	1
▲	15	372419	Seal, Org	1
▲	16	372421	Gasket	1
	17	372417	Cover	1

Fig. 5 - Front Housing Cover Group

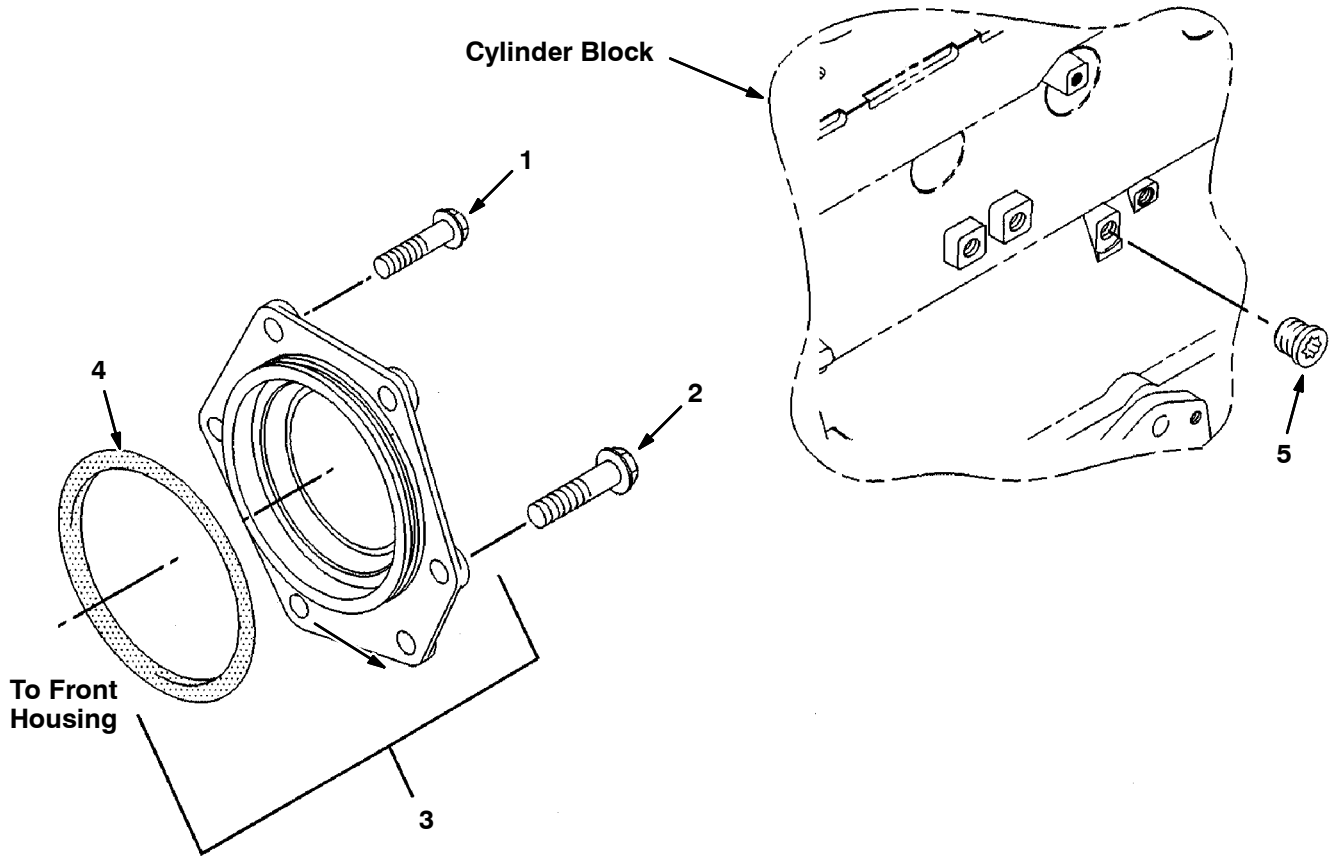


Fig. 5 - Front Housing Cover Group

	<b>Ref.</b>	<b>Part No.</b>	<b>Description</b>	<b>Qty.</b>
	1	372101	Bolt, M10 X 1.5 X 20mm	1
	2	372102	Bolt	5
▽	3	372103	Cover Assy, Gear, Timing	1
▲	4	372104	Seal, Cover	1
	5	372105	Plug	1

Fig. 6 - Fuel Filter Group

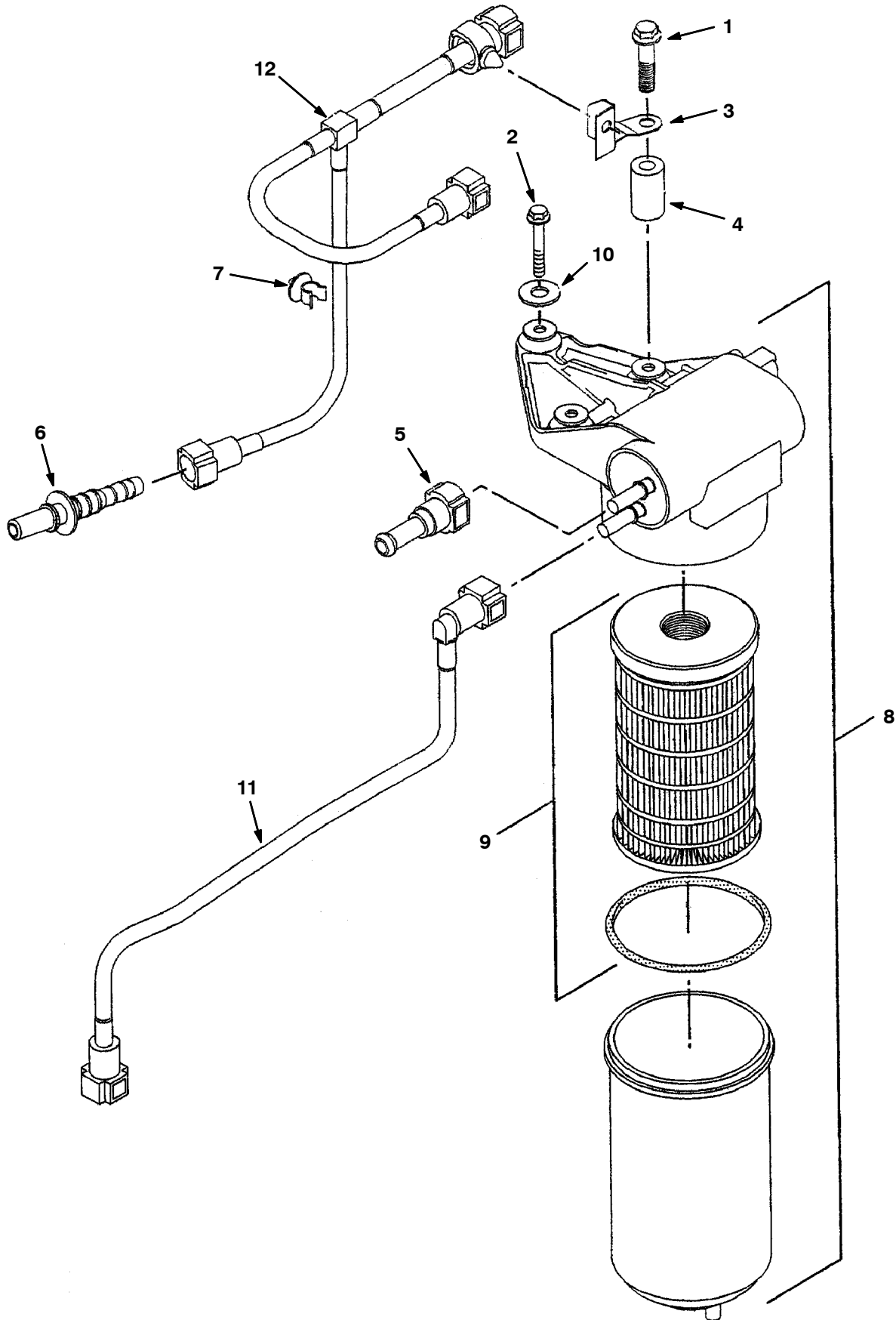


Fig. 6 - Fuel Filter Group

Ref.	Part No.	Description	Qty.	
1	372110	Bolt, M8 X 1.25 X 45mm	1	
2	372111	Bolt	3	
3	372121	Bracket	1	
4	372112	Spacer	1	
5	372113	Fitting, Special	1	
6	372114	Fitting, Special	1	
7	372115	Clip	1	
▽	8	372116	Pump Assy, Primer, Fuel	1
▲	9	372117	Element Assy, Filter, Fuel	1
10	372118	Washer	3	
11	372262	Fuelline Assy	1	
12	372263	Fuelline Assy	1	

Fig. 7 - Front Housing Group

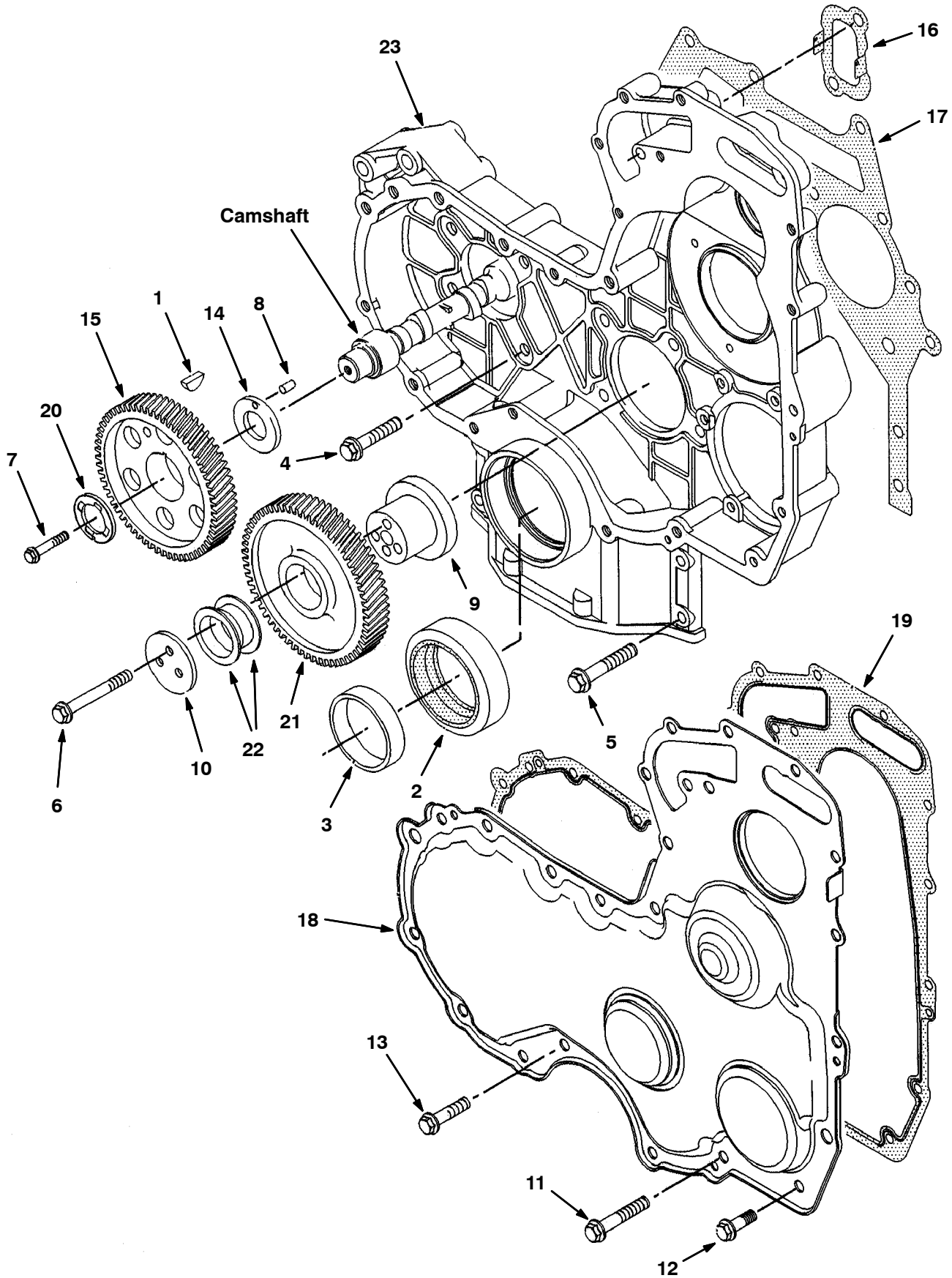
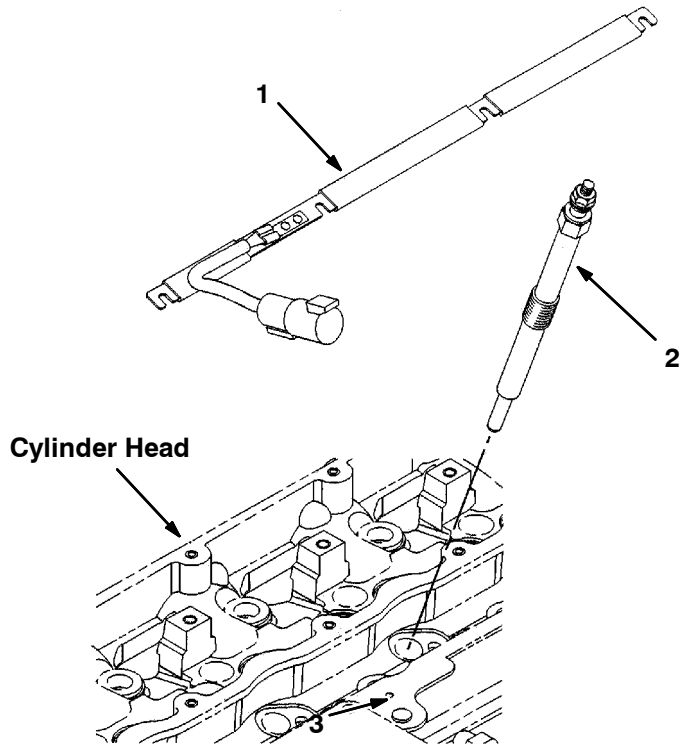


Fig. 7 - Front Housing Group

	Ref.	Part No.	Description	Qty.
	1	372124	Key, Woodruff	1
▽	2	372125	Seal, Cshaft	1
▲	3	372126	Sleeve, Cshaft	1
	4	372127	Bolt, M8 X 1.25 X 20mm	8
	5	372091	Bolt, M8 X 1.25 X 25mm	4
	6	372128	Bolt, M10 X 1.50 X 60mm	3
	7	372129	Bolt, M12 X 1.75 X 45mm	1
	8	372130	Pin, Dowel	1
	9	372131	Hub, Gear, Idler	1
	10	372132	Plate, Retaining	1
	11	372133	Bolt, M8 X 1.25 X 65mm	5
	12	372101	Bolt, M10 X 1.5 X 20mm	1
	13	372134	Bolt, M8 X 1.25 X 16mm	9
	14	372135	Washer	1
	15	372136	Gear, Camshaft, 68tooth	1
	16	372137	Gasket	1
	17	372138	Gasket	1
▽	18	372139	Cover Assy, Front	1
▲	19	372140	Gasket, Cover	1
	20	372141	Washer, Thrust	1
▽	21	372142	Gear Assy, Idler	1
▲	22	372143	Bushing, Gear, Idler	2
	23	372144	Housing, Front	1

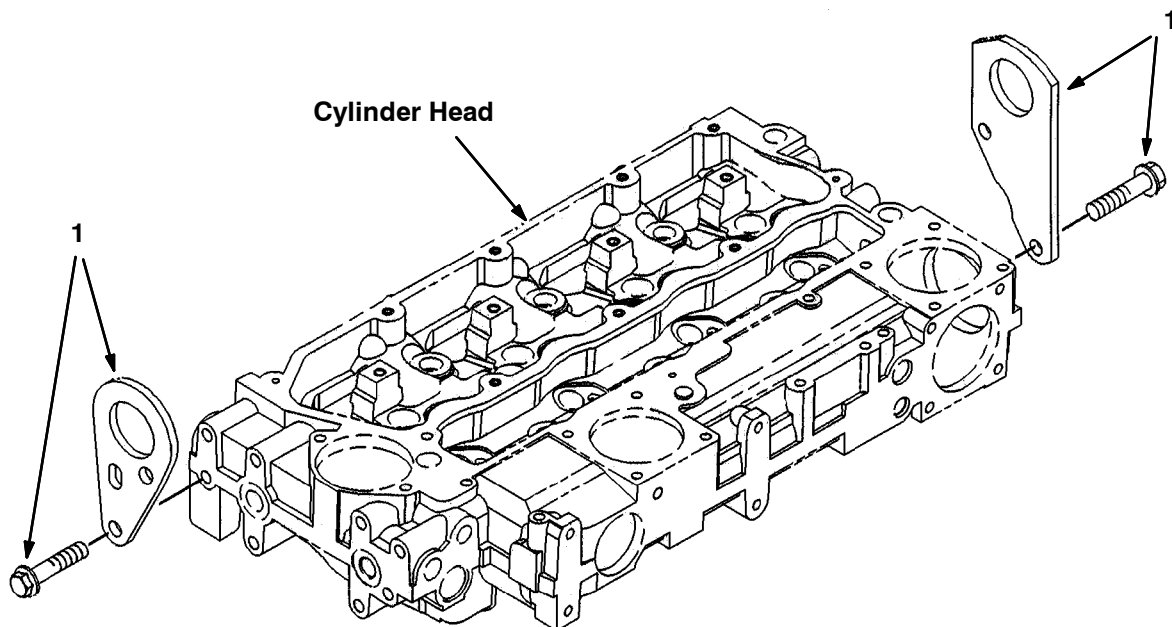
Fig. 8 - Glow Plug Group



Ref.	Part No.	Description	Qty.
1	372122	Support, Plug	1
2	372123	Plug, Glow	4



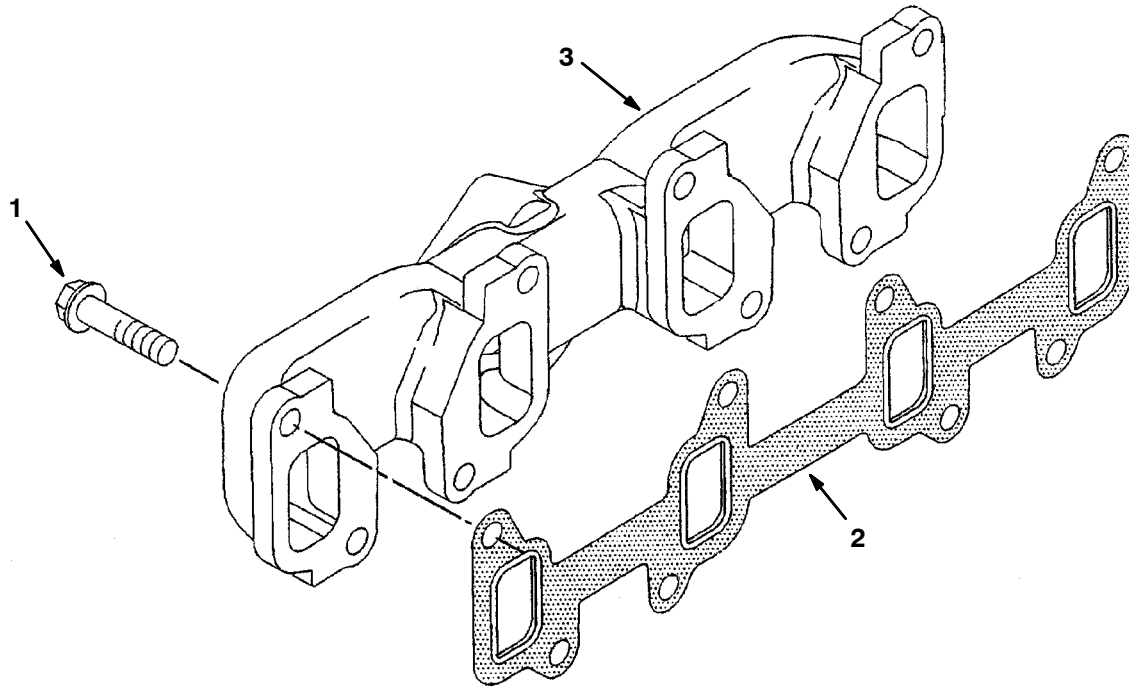
Fig. 9 - Engine Lifting Group



352398

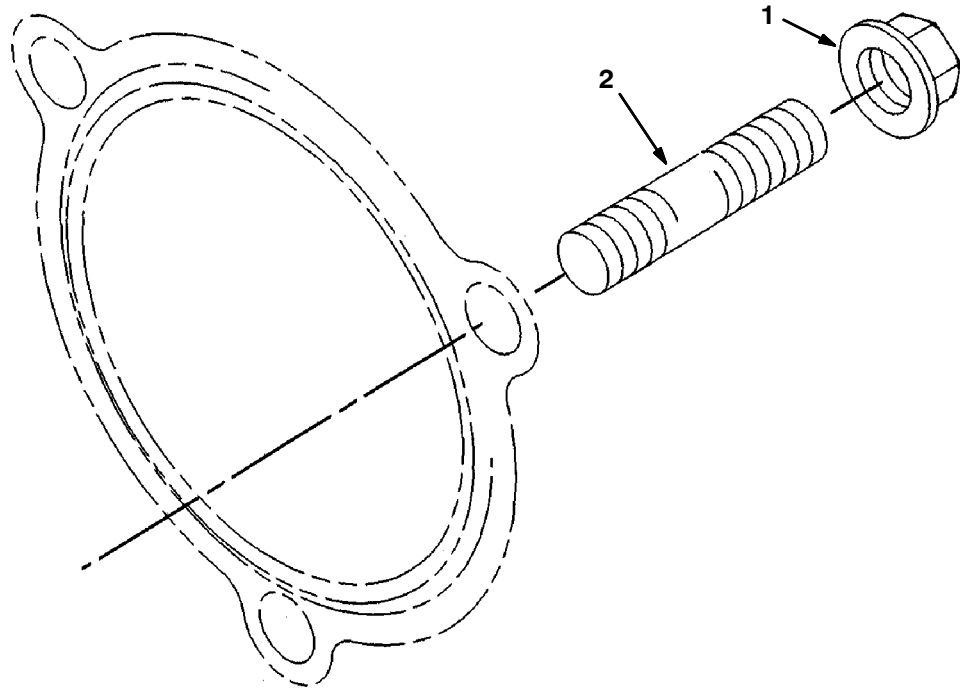
Ref.	Part No.	Description	Qty.
1	372145	Kit, Lift, Eng	1

Fig. 10 - Exhaust Manifold Group



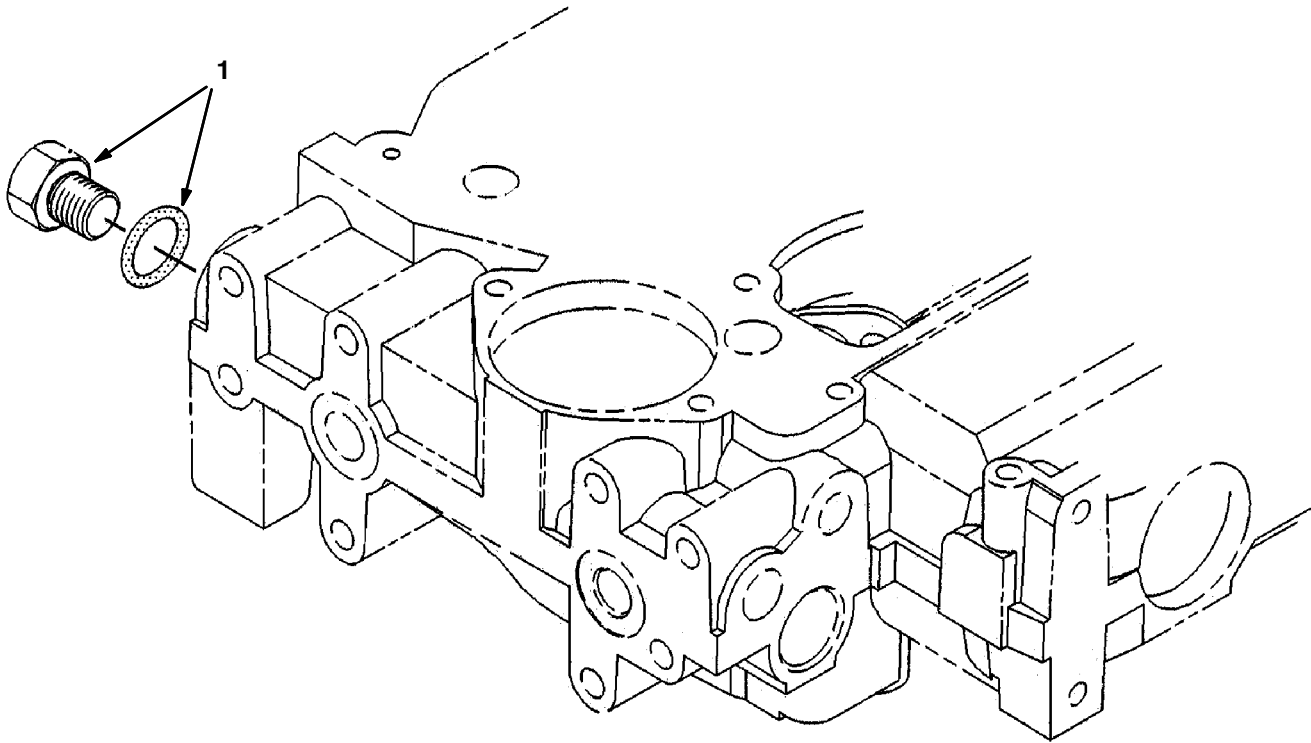
Ref.	Part No.	Description	Qty.
1	372146	Bolt	4
2	372147	Gasket	1
3	372148	Manifold, Exhaust	1

Fig. 11 - Exhaust Fastener Group



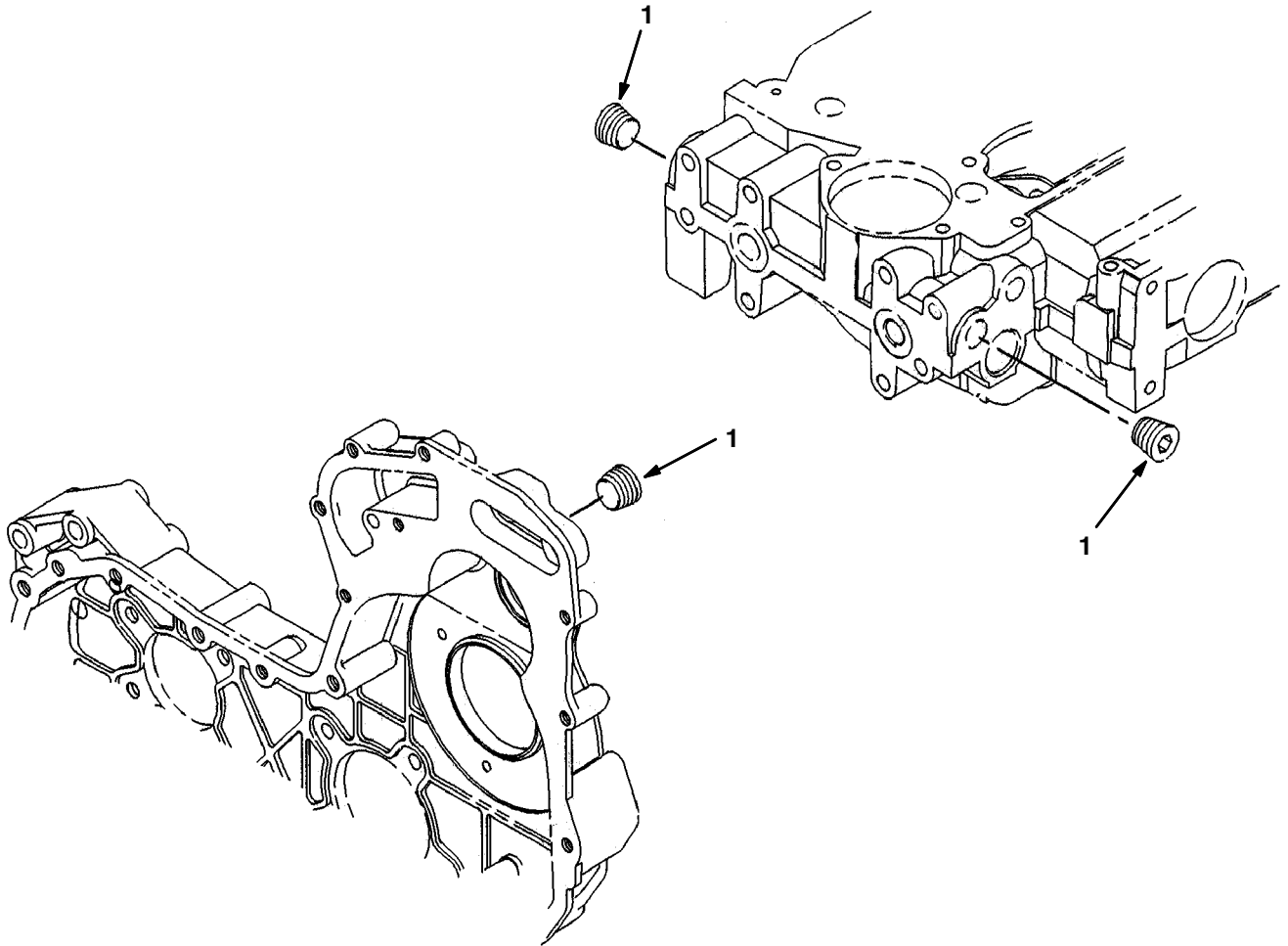
Ref.	Part No.	Description	Qty.
1	372109	Kit, Fastener, Exhaust	1

Fig. 12 - Engine Plug Group



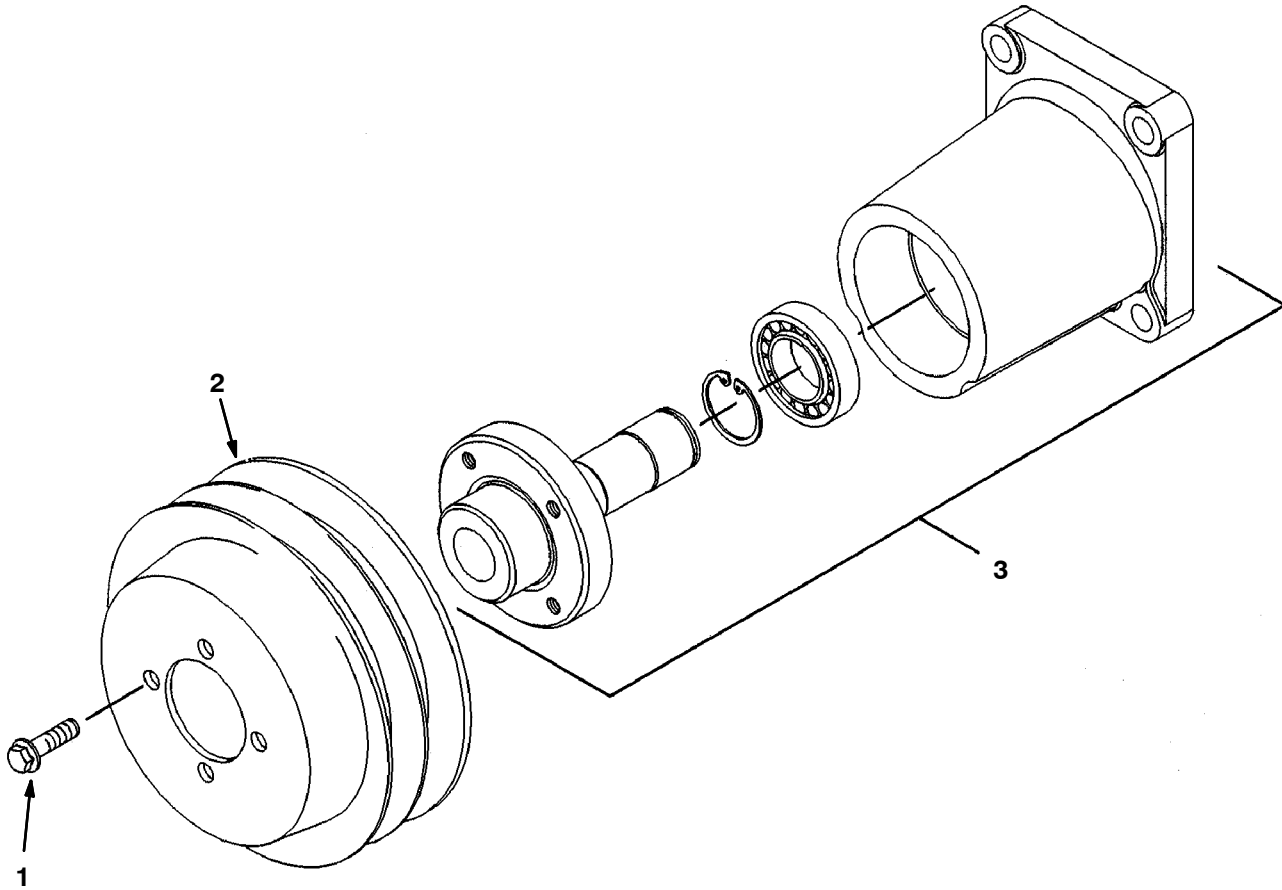
Ref.	Part No.	Description	Qty.
1	372174	Plug, W/ Org	1

Fig. 13 - Engine Plug Group



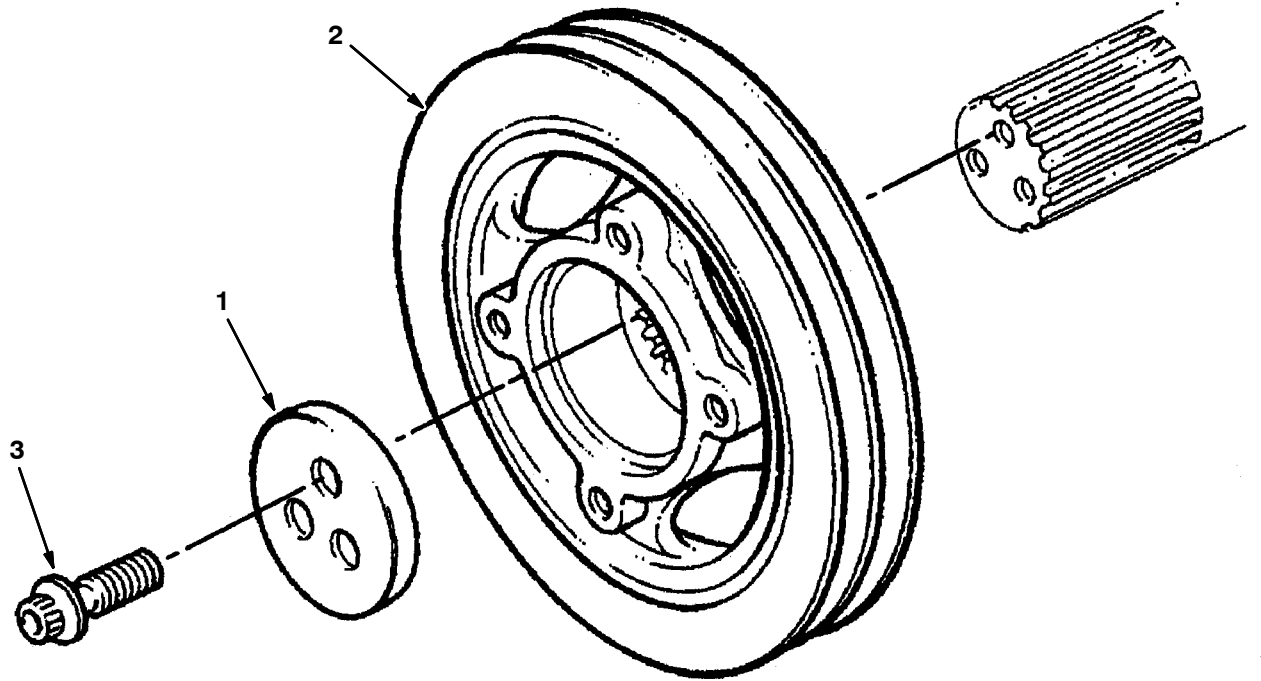
Ref.	Part No.	Description	Qty.
1	372175	Plug	3

Fig. 14 - Fan Drive Group



Ref.	Part No.	Description	Qty.
1	372106	Bolt, M10 X 1.5 X 35mm	4
2	372107	Pulley, Drive, Fan	1
3	372108	Housing Assy	1

Fig. 15 - Crankshaft Pulley Group



Ref.	Part No.	Description	Qty.
1	372176	Block, Pulley	1
2	372264	Pulley	1
3	372178	Bolt, .44-20 X 1.50	3





Fig. 16 - Oil Pan Group

Ref.	Part No.	Description	Qty.	
1	372149	Plug, Pipe	2	
2	372150	Seal, Org, Drain, Sump	2	
3	372127	Bolt, M8 X 1.25 X 20mm	8	
4	372151	Plug	1	
5	372152	Nut, M8 X 1.25	2	
6	372153	Bolt	2	
7	372154	Bolt, M8 X 1.25 X 80mm	4	
8	372155	Bolt, M6 X 1.00 X 20mm	2	
9	372156	Seal	1	
10	372157	Plug, Drain, Sump	2	
11	372158	Gasket	1	
12	372095	Bolt, M8 X 1.25 X 35mm	2	
▽	13	372159	Tube Assy	1
▲	14	372160	Nut	1
	15	372161	Dipstick	1
	16	372162	Stud	2
	17	372163	Bolt	4
	18	372164	Gasket	1
	19	372165	Yoke	1
	20	372166	Pan, Oil	1
	21	372167	Strainer	1

Fig. 17 - Exhaust Pipe Group

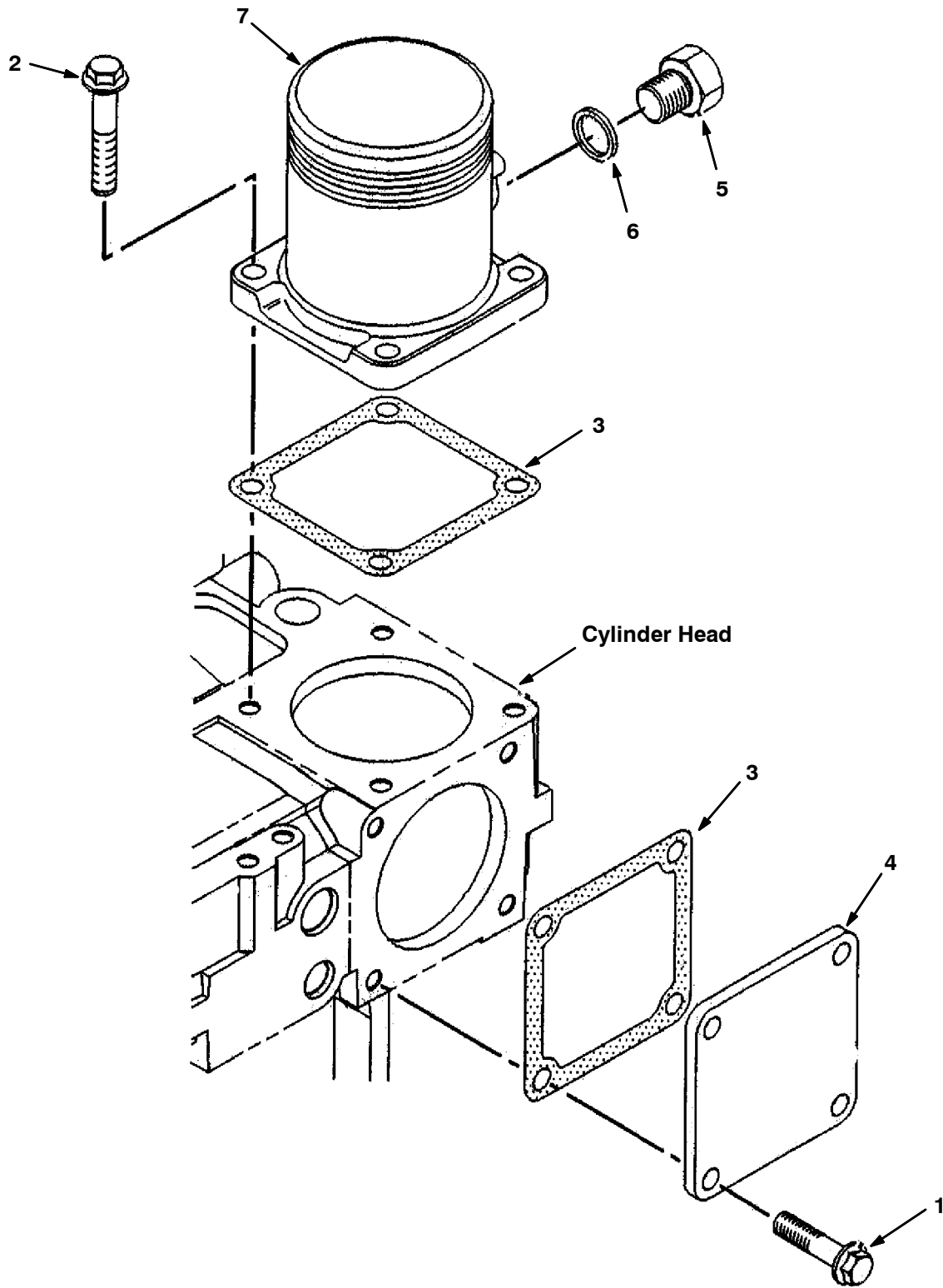


Fig. 17 - Exhaust Pipe Group

Ref.	Part No.	Description	Qty.
1	372168	Bolt, M8 X 1.25 X 20mm	12
2	372091	Bolt, M8 X 1.25 X 25mm	4
3	372169	Gasket	4
4	372170	Plate	3
5	372171	Plug	1
6	372172	Washer	1
7	372173	Pipe	1



Fig. 18 - Fuel Injection Pump Group

Ref.	Part No.	Description	Qty.	
1	372127	Bolt, M8 X 1.25 X 20mm	1	
2	372087	Bolt, M8 X 1.25 X 25mm	3	
3	372152	Nut, M8 X 1.25	1	
4	372101	Bolt, M10 X 1.5 X 20mm	1	
5	372134	Bolt, M8 X 1.25 X 16mm	1	
6	372179	Clip	1	
7	372180	Seal, Org	1	
8	372181	Cap	1	
9	372182	Switch, Advance, Timing	1	
10	372183	Seal, Org	1	
11	372184	Seal, Org	1	
12	372185	Bracket	1	
13	372186	Bracket	1	
14	372187	Plug	1	
15	372188	Plug	1	
16	372189	Plug, Cup	1	
17	372190	Fuelline Assy	1	
18	372191	Fuelline Assy	1	
19	372192	Fuelline Assy	1	
20	372193	Fuelline Assy	1	
21	372194	Clip	2	
22	372195	Clip	1	
23	372196	Washer	3	
24	372197	Bracket	1	
25	372198	Clamp, Injector	4	
26	372199	Bolt	4	
27	372200	Pump Assy, Fuel Injection	1	
28	372201	Gear, Pump	1	
29	372202	Cable	1	
▽	30	372203	Injector Assy, Fuel	4
▲	31	372204	Washer	1
▲	32	372205	Nozzle	1
▲	33	1037757	Soleniod, Shutoff, Fuel, Na	1
		372206	Clip, Pipe (not shown)	1

Fig. 19 - Water Pump Group

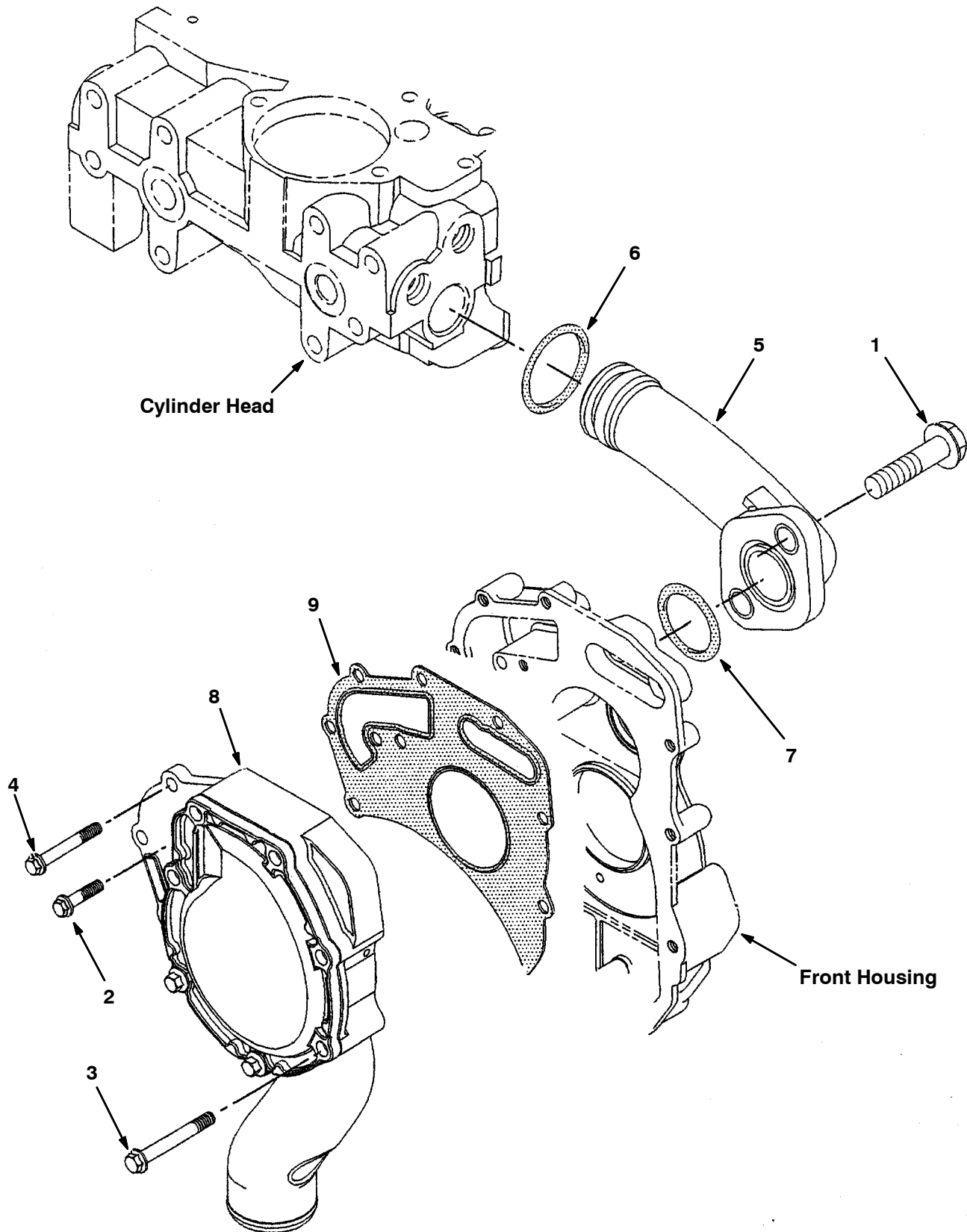
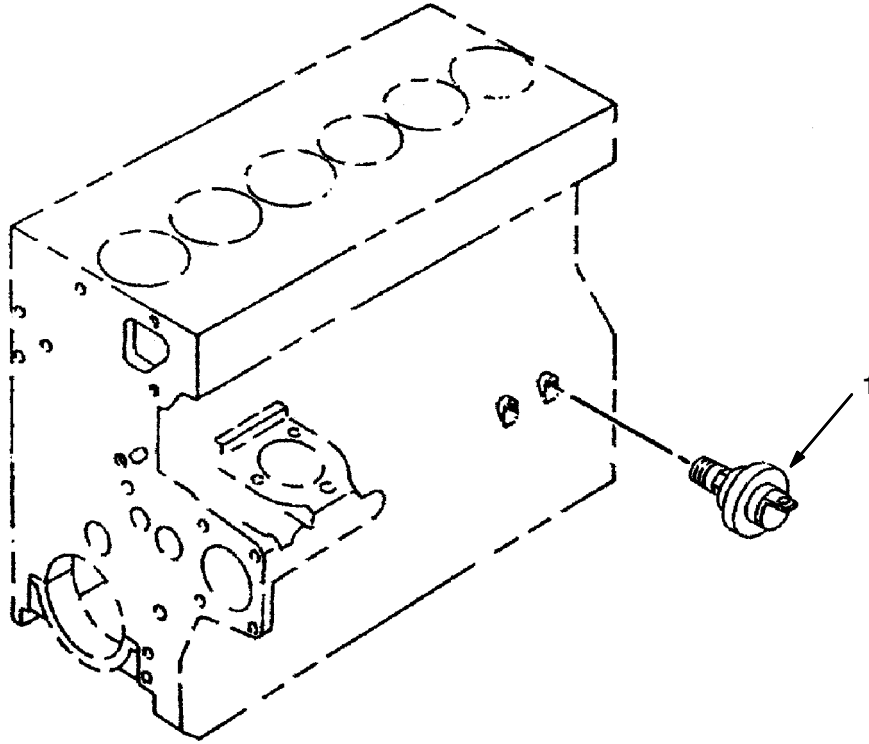


Fig. 19 - Water Pump Group

	<b>Ref.</b>	<b>Part No.</b>	<b>Description</b>	<b>Qty.</b>
	1	372127	Bolt, M8 X 1.25 X 20mm	2
	2	372207	Bolt, M8 X 1.25 X 30mm	2
	3	372133	Bolt, M8 X 1.25 X 65mm	5
	4	372208	Bolt, M8 X 75mm	2
▽	5	372209	Pipe Assy	1
▲	6	372210	Seal, Org	1
▲	7	372211	Seal, Org	1
▽	8	372212	Pump Assy, Water	1
▲	9	372213	Gasket	1

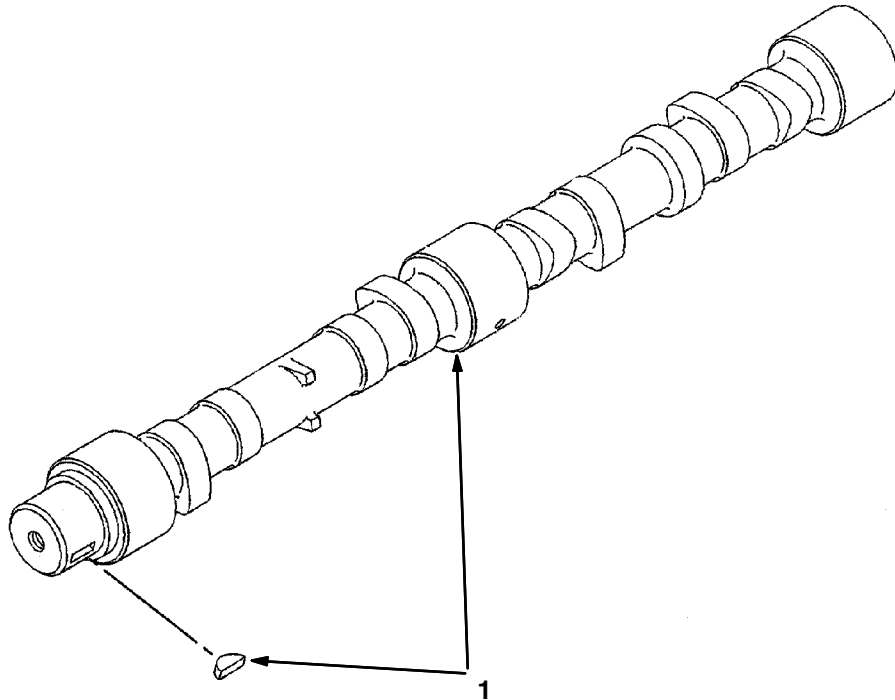
Fig. 20 - Pressure Switch Group



Ref.	Part No.	Description	Qty.
1	372214	Switch Assy, Press, Oil, Eng	1



Fig. 21 - Camshaft Group



Ref.	Part No.	Description	Qty.
1	372333	Camshaft, W/ Key	1

Fig. 22 - Crankshaft Group

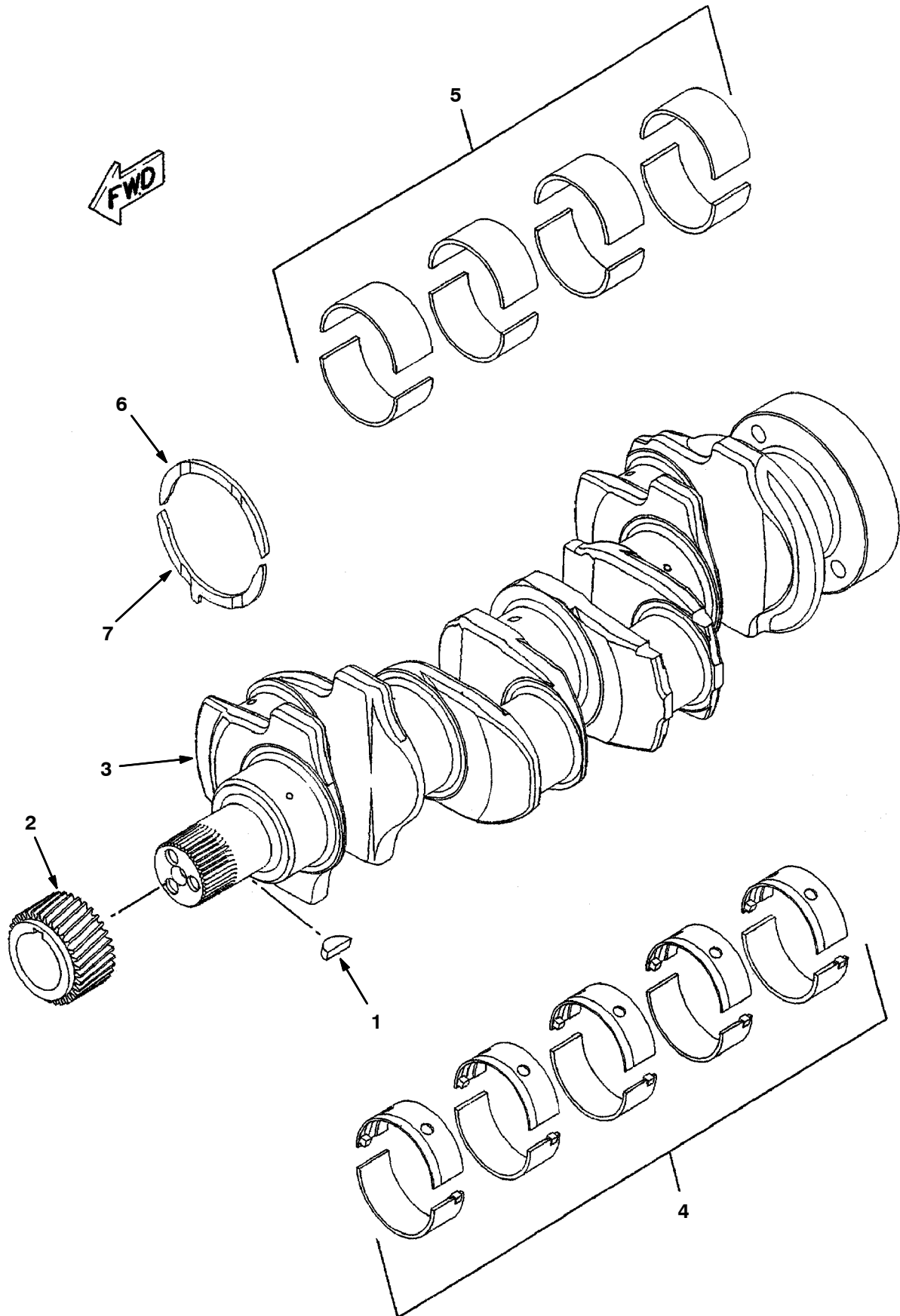


Fig. 22 - Crankshaft Group

	Ref.	Part No.	Description	Qty.
	1	372124	Key, Woodruff	1
	2	372334	Gear, Cshaft, 34tooth	1
▽	3	372402	Kit, Cshft	1
▲	4	372336	Kit, Brg, Main	1
▲	4	372337	Kit, Brg, Cshft, .25mm	1
▲	4	372338	Kit, Brg, Cshft, .50mm	1
▲	4	372339	Kit, Brg, Cshft, .76mm	1
▲	5	372340	Kit, Brg, Rod, Std	1
▲	5	372341	Kit, Brg, Rod, .25mm	1
▲	5	372342	Kit, Brg, Rod, .50mm	1
▲	5	372343	Kit, Brg, Rod, .76mm	1
▲	6	372344	Washer, Thrust, Upper, Std	2
▲	6	372345	Washer, Thrust, .18mm [Oversized]	2
▲	7	372346	Washer, Thrust, Lower, Std	2
▲	7	372347	Washer, Thrust, .18mm [Oversized]	2

Fig. 23 - Cylinder Block Group

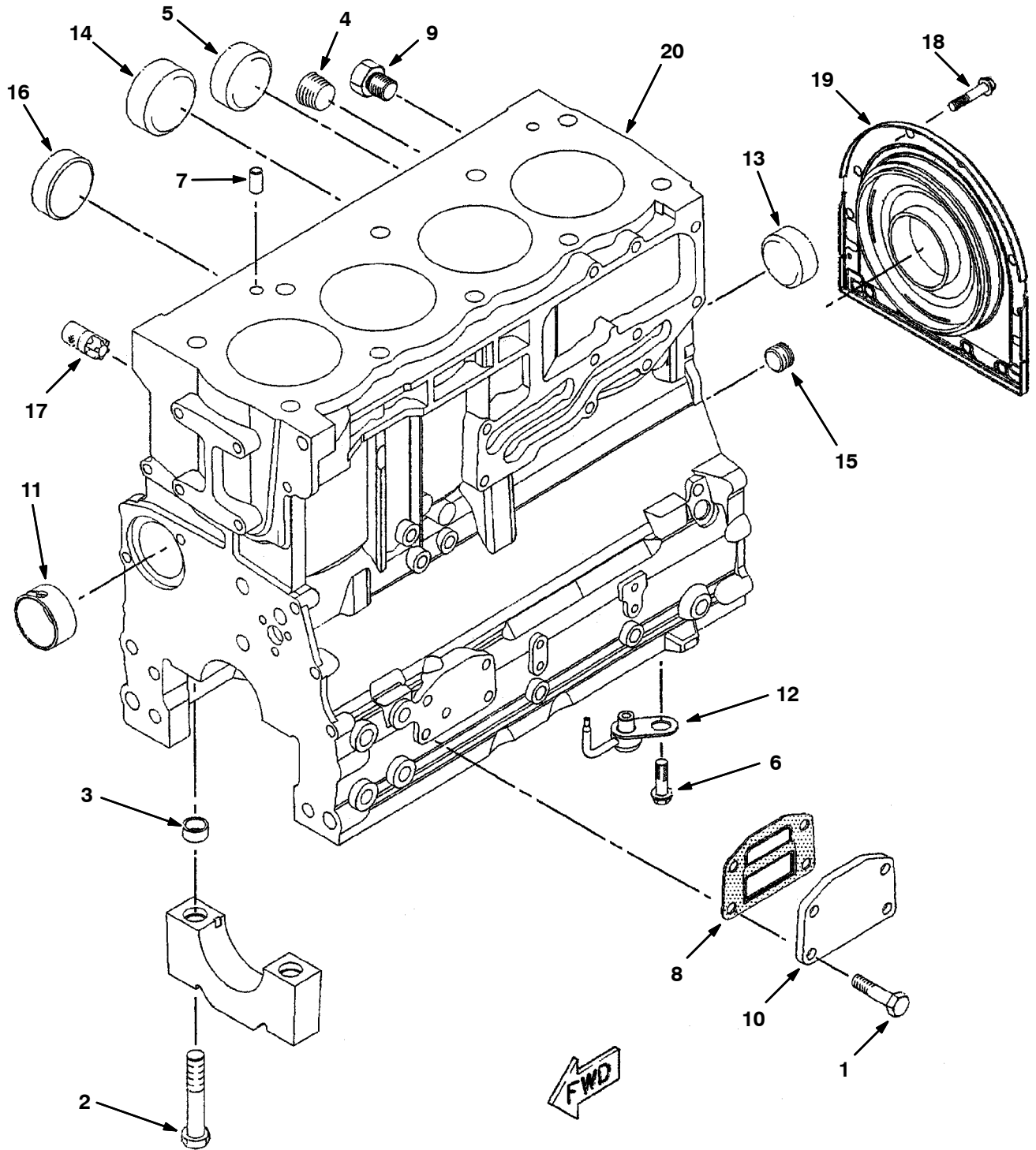
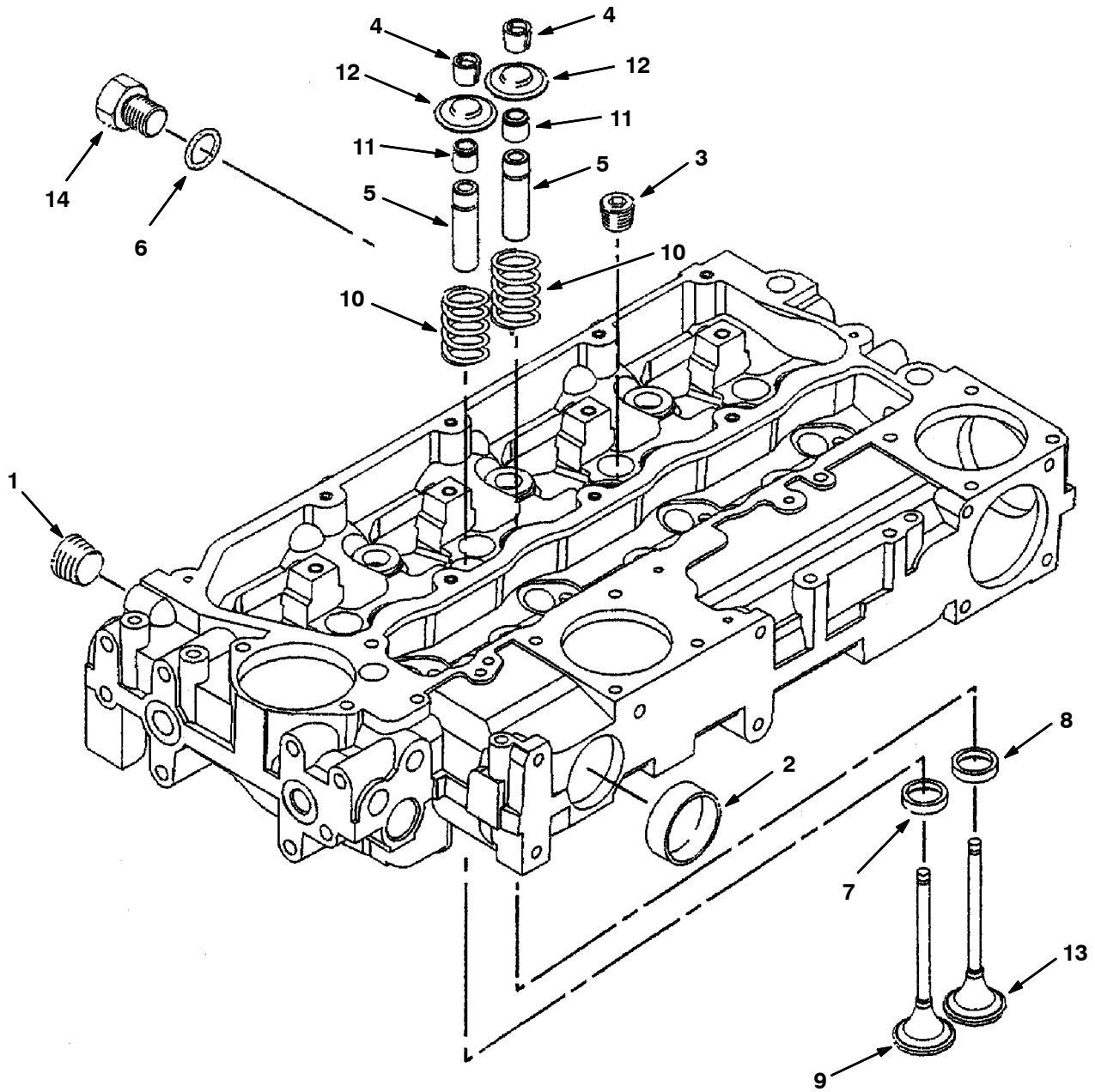


Fig. 23 - Cylinder Block Group

Ref.	Part No.	Description	Qty.
1	372168	Bolt, M8 X 1.25 X 20mm	4
2	372348	Bolt	10
3	372349	Pin, Dowel	10
4	372350	Plug	1
5	372351	Plug, Side	1
6	372352	Screw, M6 X 1.00 X 10mm	4
7	372353	Pin, Dowel	2
8	372217	Gasket, Adapter, Fltr, Oil	1
9	372354	Plug	2
10	372355	Plate	1
11	372356	Bearing	1
12	372357	Nozzle, Jet, Piston Cooling	4
13	372358	Plug	1
14	372359	Plug	2
15	372360	Plug	1
16	372361	Plug, Cup	1
17	372362	Plug	1
18	372363	Screw, M8 X 1.25 X 16mm	10
19	372364	Housing Assy	1
20	372365	Block Assy, Cyl	1

Fig. 24 - Cylinder Head Group



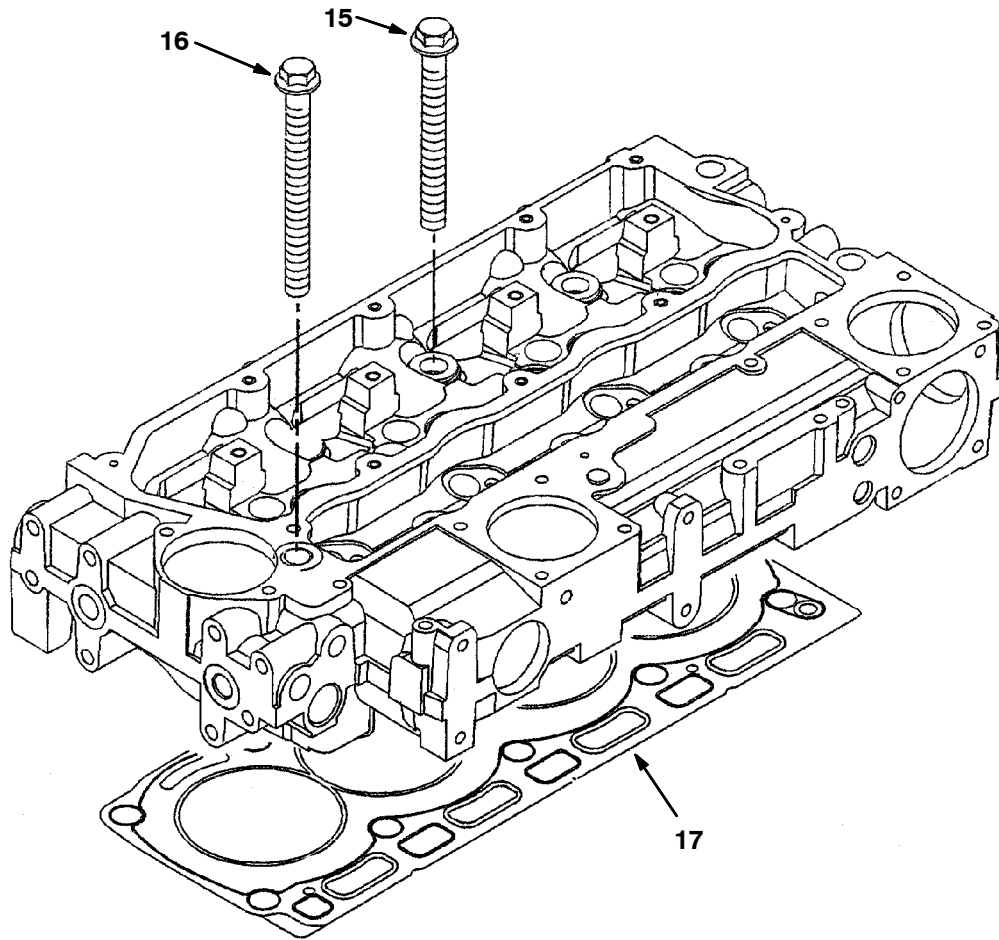


Fig. 24 - Cylinder Head Group

Ref.	Part No.	Description	Qty.
1	372159	Tube Assy	1
2	372367	Plug	2
3	372350	Plug	4
4	372368	Retainer	16
5	372369	Guide, Valve, Intake	8
6	372184	Seal, Org	1
7	372370	Insert, Valve, Inlet	4
8	372371	Insert, Valve, Exhaust	4
9	372372	Valve, Inlet	4
10	372373	Spring, Valve	8
11	372374	Seal, Valve	8
12	372375	Cap	8
13	372376	Valve, Exhaust	4
14	372188	Plug	1
15	372378	Bolt	7
16	372379	Bolt	3
17	372380	Gasket, Head	1

Fig. 25 - Piston and Rod Group

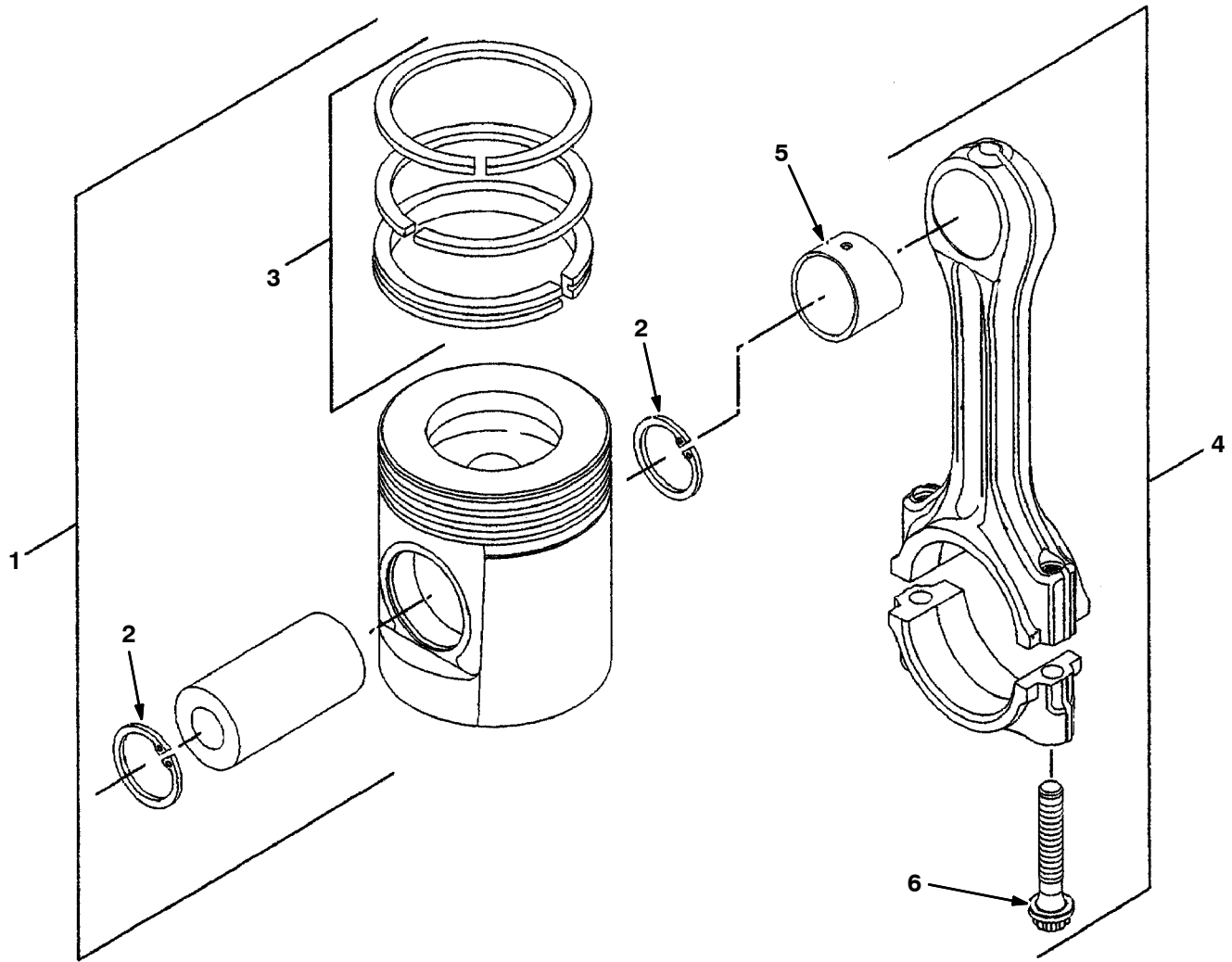




Fig. 25 - Piston and Rod Group

	<b>Ref.</b>	<b>Part No.</b>	<b>Description</b>	<b>Qty.</b>
▽	1	372381	Piston Assy	4
▲	2	372382	Ring, Retaining	2
▲	3	372383	Kit, Ring, Piston	1
▽	4	372384	Rod Assy	4
▲	5	372385	Bushing	1
▲	6	372386	Bolt	2

Fig. 26 - Valve Mechanism Group

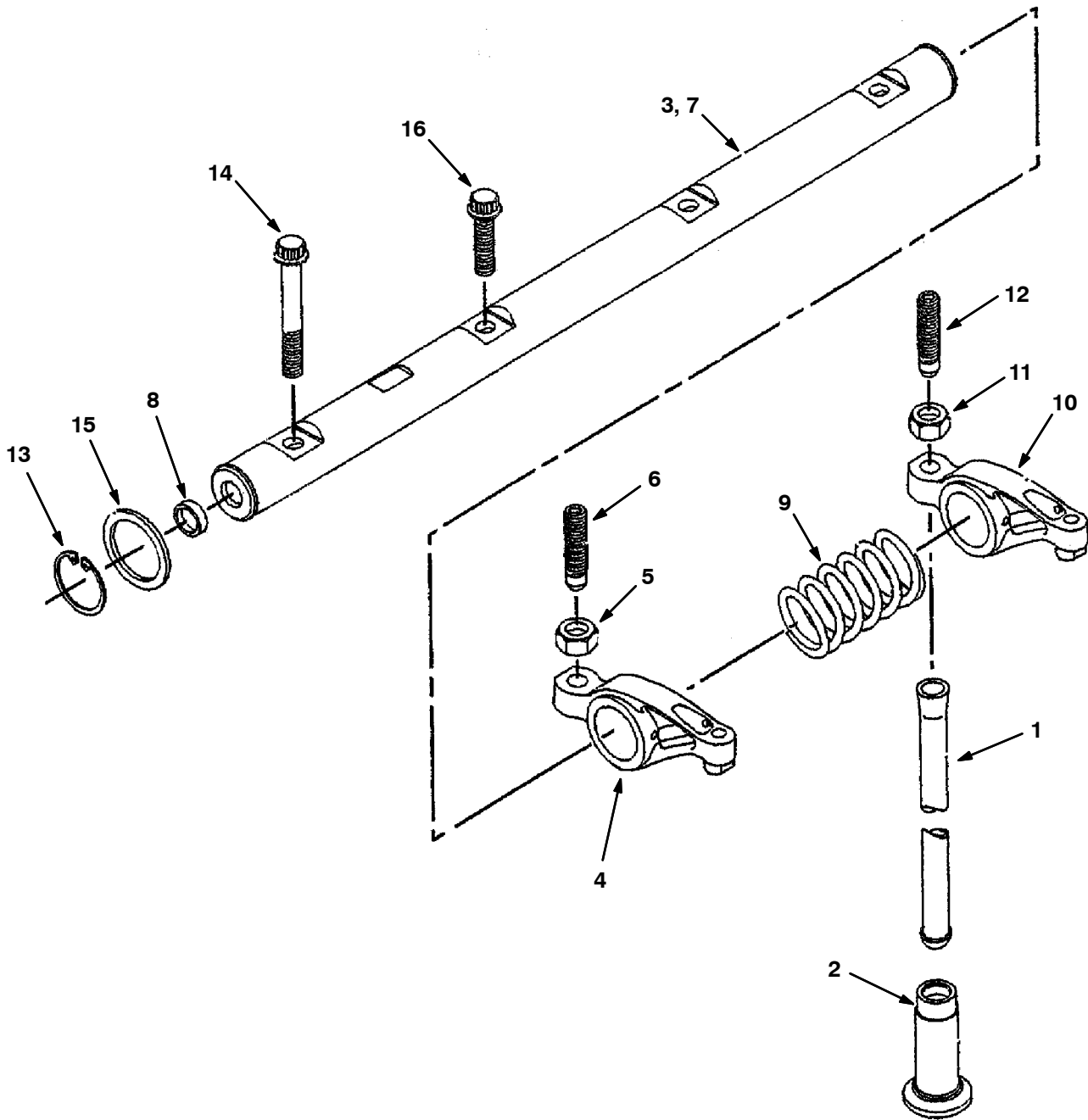


Fig. 26 - Valve Mechanism Group

	Ref.	Part No.	Description	Qty.
	1	372387	Rod	8
	2	372388	Tappet	8
▽	3	372389	Arm Assy, Rocker	1
▽▲	4	372390	Lever Assy	4
▲▲	5	372391	Nut, Jam, .38-24	1
▲▲	6	372392	Screw	1
▲	7	372393	Shaft Assy	1
▲	8	372394	Plug	2
▲	9	372395	Spring	3
▽▲	10	372396	Lever Assy	4
▲▲	11	372391	Nut, Jam, .38-24	1
▲▲	12	372392	Screw	1
▲	13	372397	Clip	2
▲	14	372398	Bolt	1
▲	15	372399	Washer	2
▲	16	372400	Bolt	3



## SECTION 6

Contents	Page
Fig. 1 - Balancer Group .....	6-2
Fig. 2 - Water Connection Group .....	6-4
Fig. 3 - Engine Oil Cooler Group .....	6-6
Fig. 4 - Valve Mechanism Cover Group .....	6-8
Fig. 5 - Front Housing Cover Group .....	6-10
Fig. 6 - Fuel Filter Group .....	6-12
Fig. 7 - Front Housing Group .....	6-14
Fig. 8 - Glow Plug Group .....	6-16
Fig. 9 - Engine Lifting Group .....	6-17
Fig. 10 - Engine Plug Group .....	6-18
Fig. 11 - Engine Plug Group .....	6-19
Fig. 12 - Fan Drive Group .....	6-20
Fig. 13 - Crankshaft Pulley Group .....	6-21
Fig. 14 - Oil Pan Group .....	6-22
Fig. 15 - Exhaust Pipe Group .....	6-24
Fig. 16 - Fuel Injection Pump Group .....	6-26
Fig. 17 - Water Pump Group .....	6-28
Fig. 18 - Pressure Switch Group .....	6-30
Fig. 19 - Camshaft Group .....	6-31
Fig. 20 - Crankshaft Group .....	6-32
Fig. 21 - Cylinder Block Group .....	6-34
Fig. 22 - Cylinder Head Group .....	6-36
Fig. 23 - Piston and Rod Group .....	6-38
Fig. 24 - Valve Mechanism Group .....	6-40
Fig. 25 - Turbocharger Group .....	6-42

Fig. 1 - Balancer Group

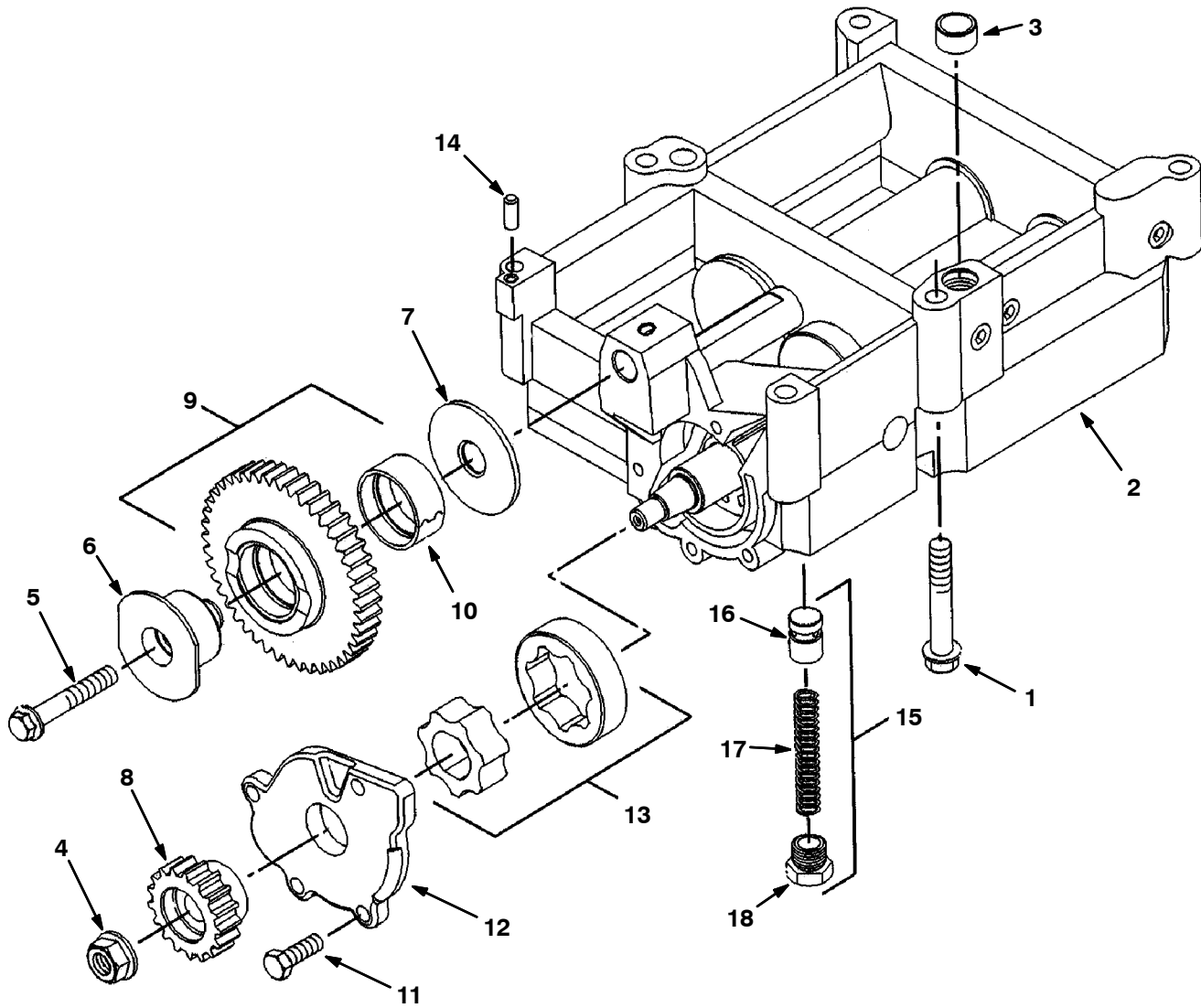


Fig. 1 - Balancer Group

	Ref.	Part No.	Description	Qty.	
		1	372069	Bolt, M10 X 1.5 X 70mm	6
▽		2	372070	Balancer	1
▲		3	372071	Dowel	1
▲		4	372072	Nut	1
▲		5	372073	Bolt	1
▲		6	372074	Gear, Shaft	1
▲		7	372075	Washer, Thrust	1
▲		8	372076	Gear, Balancer, 17tooth	1
▲▽		9	372077	Gear, 44tooth	1
▲▲		10	372078	Bearing	1
▲		11	372079	Bolt	5
▲		12	372080	Cover	1
▲		13	372081	Rotor	1
▲		14	372082	Dowel	1
▲▽		15	372083	Valve, Relief, Press, Oil, Eng	1
▲▲		16	372084	Plunger	1
▲▲		17	372085	Spring	1
▲▲		18	372086	Plug, Retainer	1

Fig. 2 - Water Connection Group

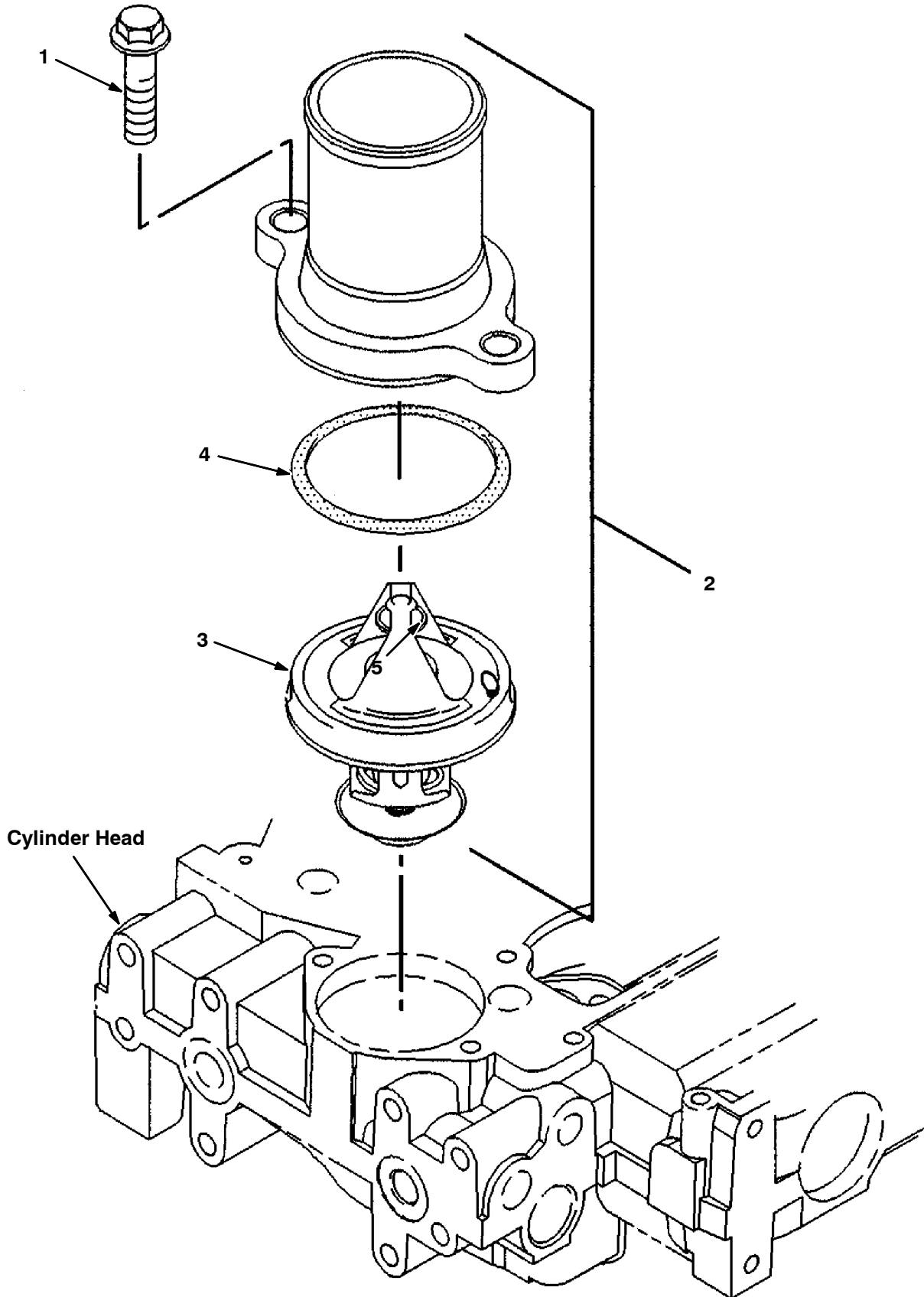




Fig. 2 - Water Connection Group

	<b>Ref.</b>	<b>Part No.</b>	<b>Description</b>	<b>Qty.</b>
	1	372087	Bolt, M8 X 1.25 X 25mm	2
▽	2	372088	Regulator Assy, Temp, Water	1
▲	3	372089	Regulator, Temp, Water	1
▲	4	372090	Seal, Org, Reg, Temp, Water	1

Fig. 3 - Engine Oil Cooler Group

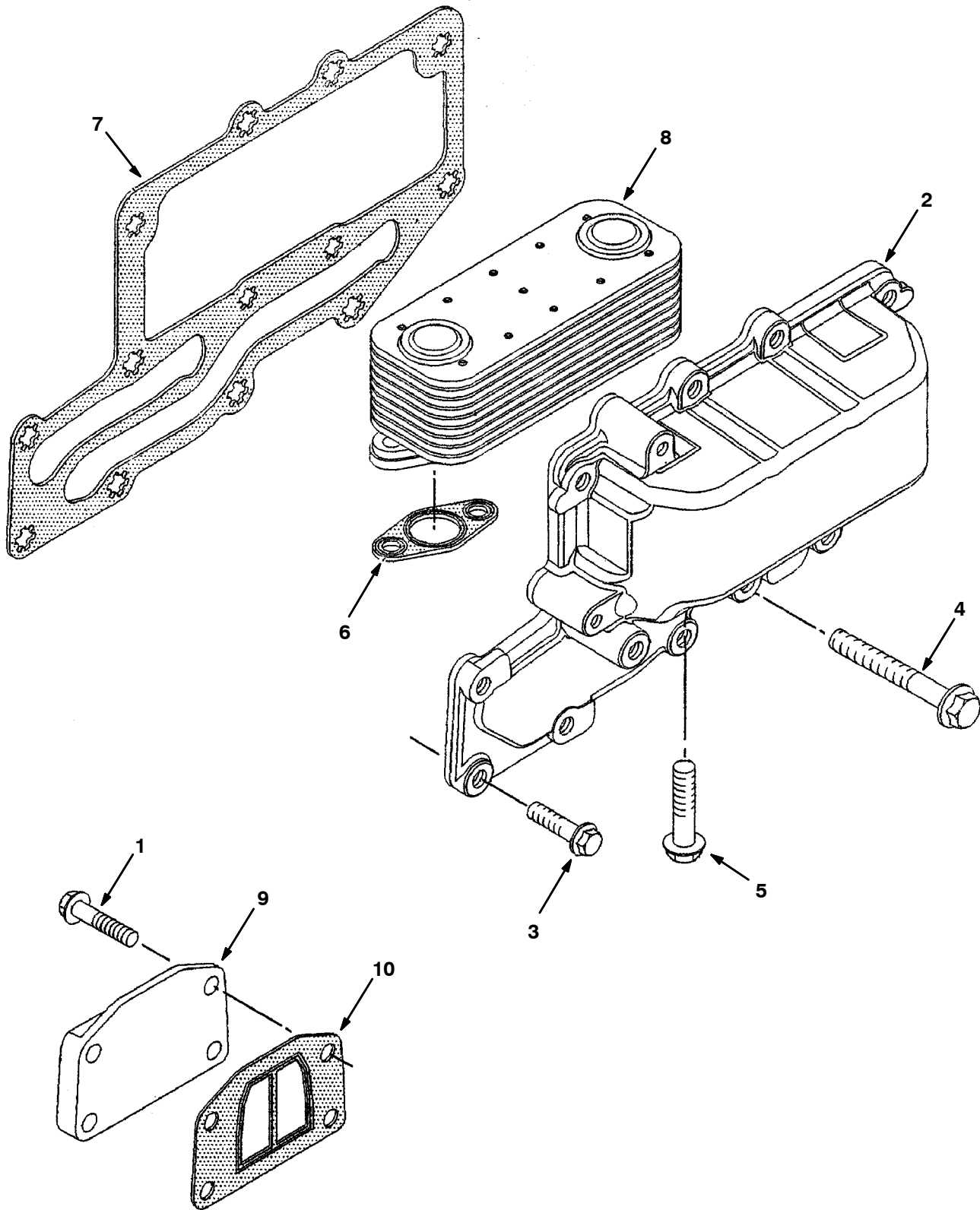


Fig. 3 - Engine Oil Cooler Group

	Ref.	Part No.	Description	Qty.
	1	372091	Bolt, M8 X 1.25 X 25mm	8
▽	2	372253	Cooler Assy, Oil	1
▲	3	372087	Bolt, M8 X 1.25 X 25mm	10
▲	4	372094	Bolt	3
▲	5	372095	Bolt, M8 X 1.25 X 35mm	4
▲	6	372096	Seal	2
▲	7	372097	Gasket	1
▲	8	372254	Cooler, Oil	1
	9	372099	Plate	1
	10	372100	Gasket	1

Fig. 4 - Valve Mechanism Cover Group

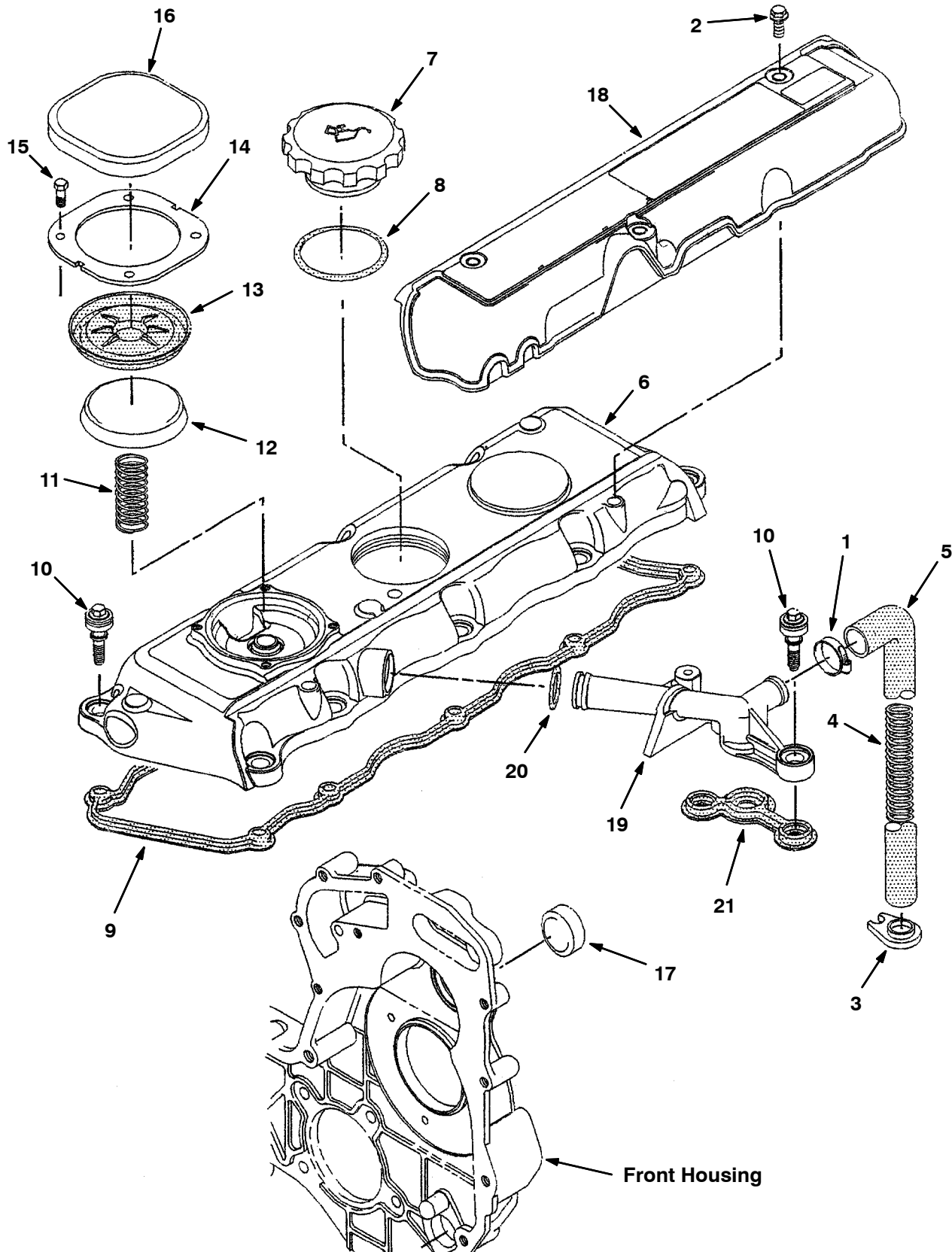


Fig. 4 - Valve Mechanism Cover Group

Ref.	Part No.	Description	Qty.	
	1	372255	Clamp, Hose	1
	2	372405	Bolt, M6 X 1.0 X 14mm	3
	3	372256	Bracket	1
	4	372257	Spring, Hose, Breather, Crankcase	1
	5	372258	Hose, Breather, Crankcase	1
▽	6	372406	Cover, Valve	1
▲▽	7	372407	Cap, Filler, Oil	1
▲▲	8	372408	Seal, Cap, Oil Filler	1
▲	9	372259	Gasket, Cover, Valve	1
▲	10	372409	Bolt	12
▲	11	372410	Spring	1
▲	12	372411	Cap	1
▲	13	372412	Partition, Diaphragm	1
▲	14	372413	Plate	1
▲	15	372414	Screw	4
▲	16	372415	Cap	1
	17	372416	Plug, Cup	1
	18	372417	Cover	1
▽	19	372418	Tube, Connecting	1
▲	20	372419	Seal, Org	1
▲	21	372421	Gasket	1

Fig. 5 - Front Housing Cover Group

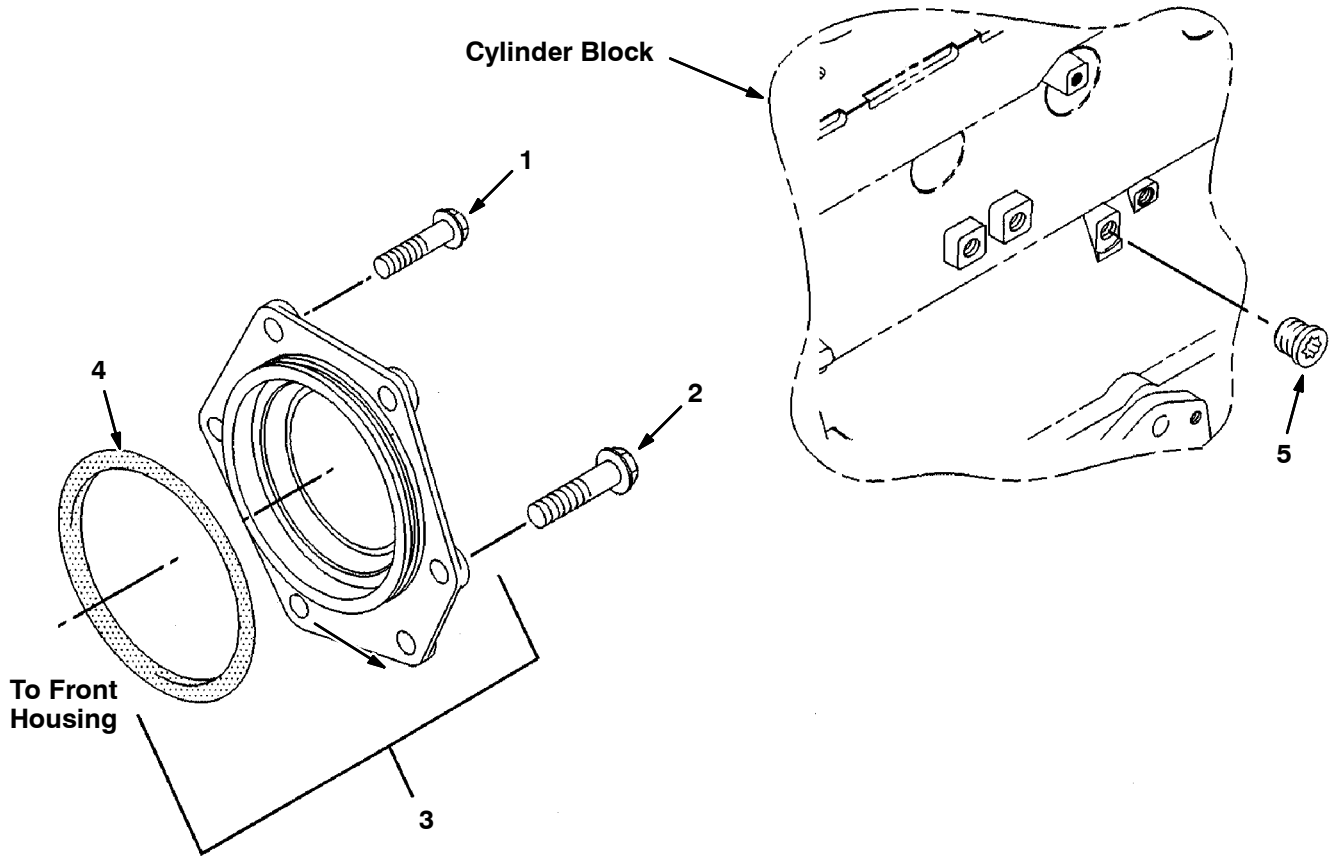


Fig. 5 - Front Housing Cover Group

	<b>Ref.</b>	<b>Part No.</b>	<b>Description</b>	<b>Qty.</b>
	1	372101	Bolt, M10 X 1.5 X 20mm	1
	2	372102	Bolt	5
▽	3	372103	Cover Assy, Gear, Timing	1
▲	4	372104	Seal, Cover	1
	5	372105	Plug	1

Fig. 6 - Fuel Filter Group

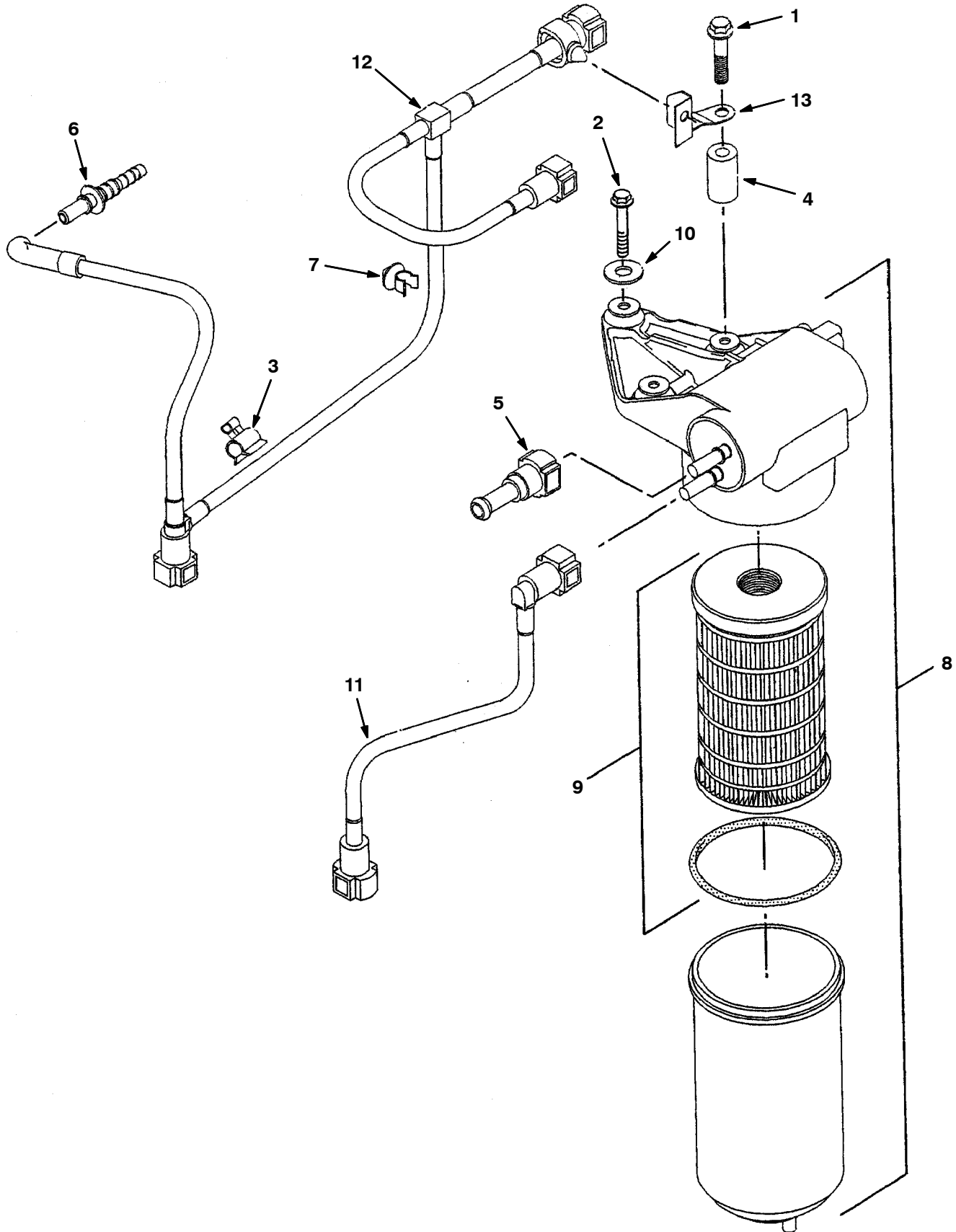




Fig. 6 - Fuel Filter Group

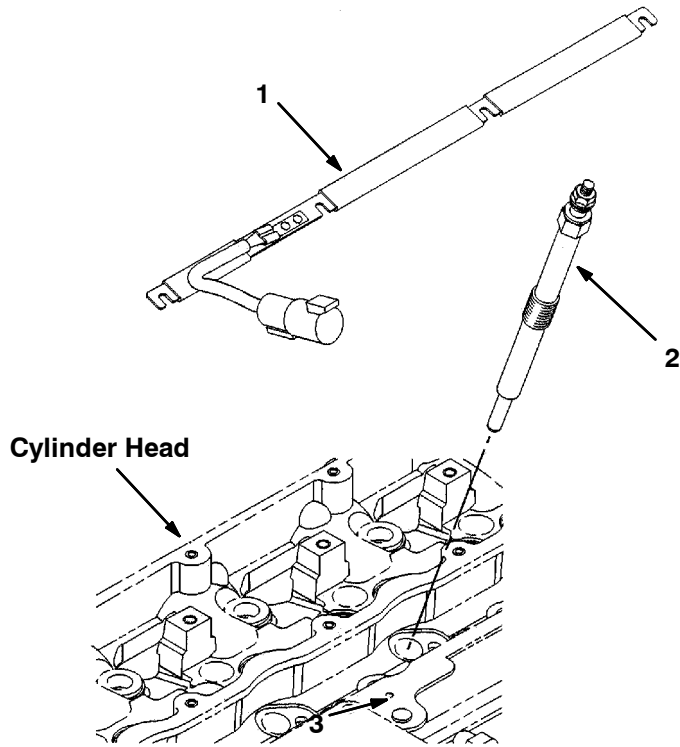
Ref.	Part No.	Description	Qty.	
1	372110	Bolt, M8 X 1.25 X 45mm	1	
2	372111	Bolt	3	
3	372261	Clip	1	
4	372112	Spacer	1	
5	372113	Fitting, Special	1	
6	372114	Fitting, Special	1	
7	372115	Clip	1	
▽	8	372116	Pump Assy, Primer, Fuel	1
▲	9	372117	Element Assy, Filter, Fuel	1
10	372118	Washer	3	
11	372262	Fuelline Assy	1	
12	372263	Fuelline Assy	1	
13	372121	Bracket	1	



Fig. 7 - Front Housing Group

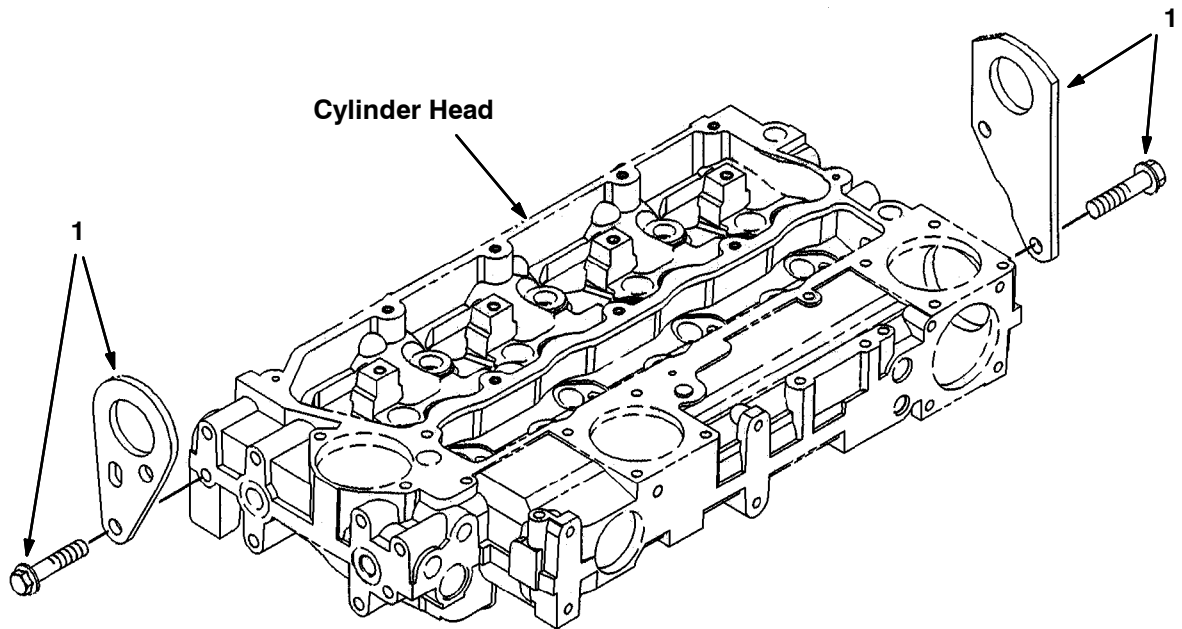
	Ref.	Part No.	Description	Qty.
	1	372124	Key, Woodruff	1
▽	2	372125	Seal, Cshaft	1
▲	3	372126	Sleeve, Cshaft	1
	4	372127	Bolt, M8 X 1.25 X 20mm	8
	5	372091	Bolt, M8 X 1.25 X 25mm	4
	6	372128	Bolt, M10 X 1.50 X 60mm	3
	7	372129	Bolt, M12 X 1.75 X 45mm	1
	8	372130	Pin, Dowel	1
	9	372131	Hub, Gear, Idler	1
	10	372132	Plate, Retaining	1
	11	372133	Bolt, M8 X 1.25 X 65mm	5
	12	372101	Bolt, M10 X 1.5 X 20mm	1
	13	372134	Bolt, M8 X 1.25 X 16mm	9
	14	372135	Washer	1
	15	372136	Gear, Camshaft, 68tooth	1
	16	372137	Gasket	1
	17	372138	Gasket	1
▽	18	372139	Cover Assy, Front	1
▲	19	372140	Gasket, Cover	1
	20	372141	Washer, Thrust	1
▽	21	372142	Gear Assy, Idler	1
▲	22	372143	Bushing, Gear, Idler	2
	23	372144	Housing, Front	1

**Fig. 8 - Glow Plug Group**



Ref.	Part No.	Description	Qty.
1	372122	Support, Plug	1
2	372123	Plug, Glow	4

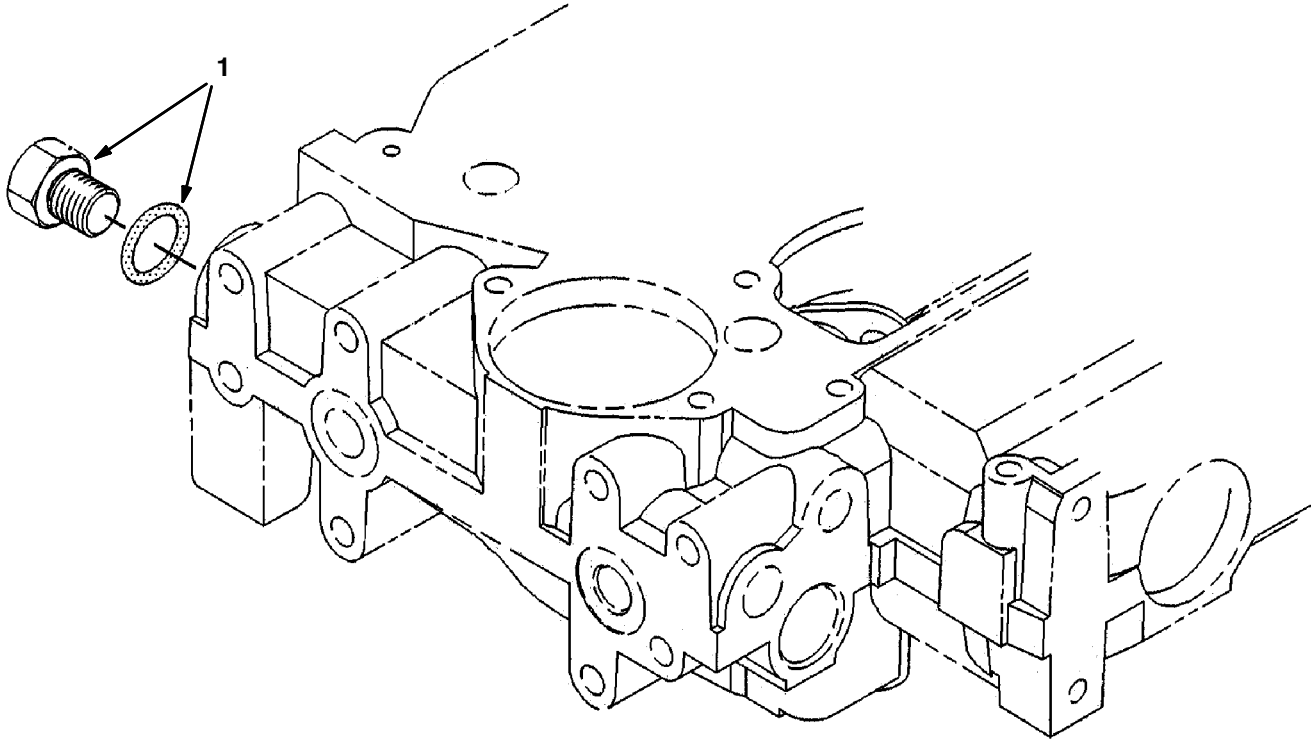
Fig. 9 - Engine Lifting Group



352398

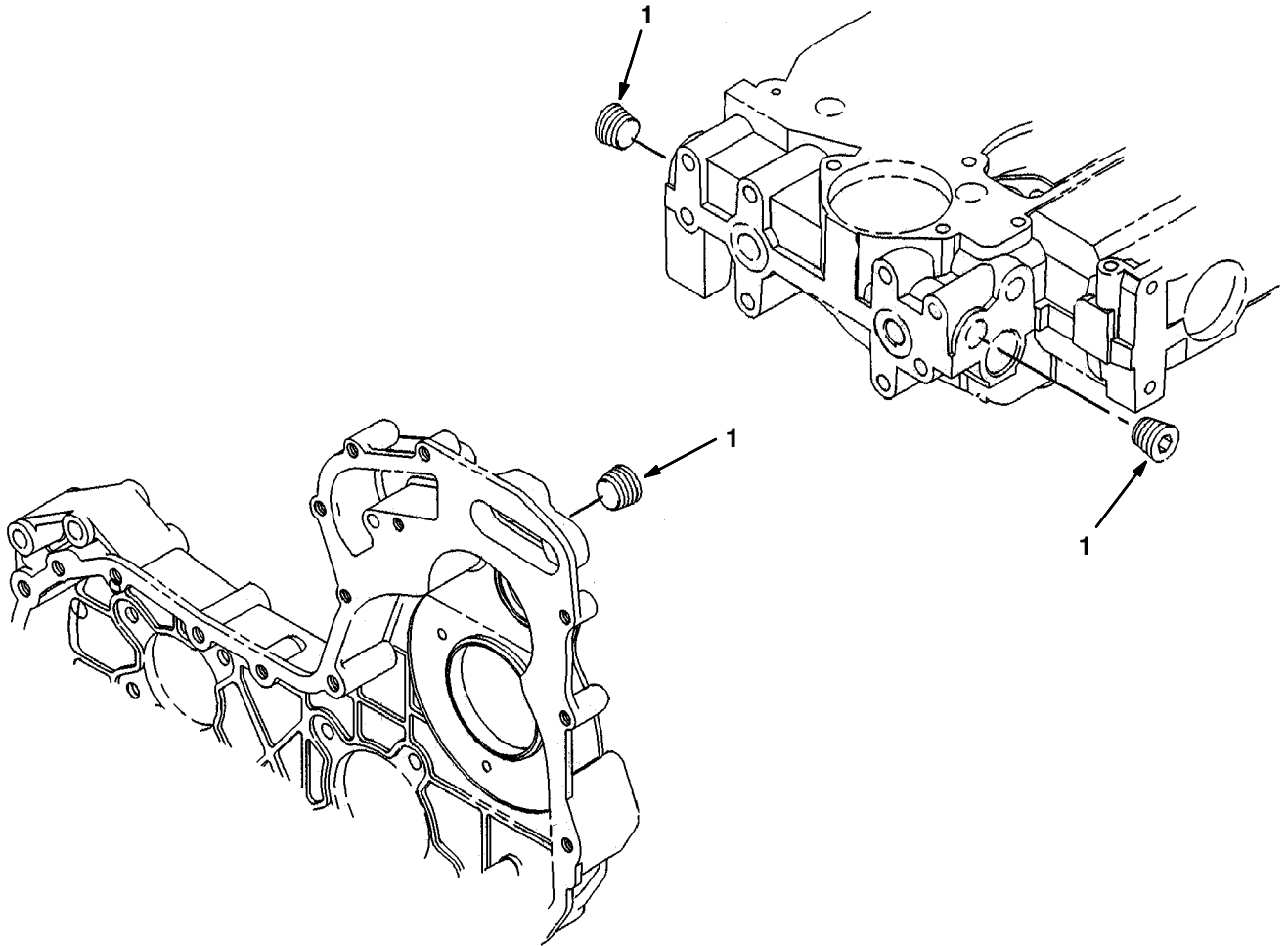
Ref.	Part No.	Description	Qty.
1	372145	Kit, Lift, Eng	1

Fig. 10 - Engine Plug Group



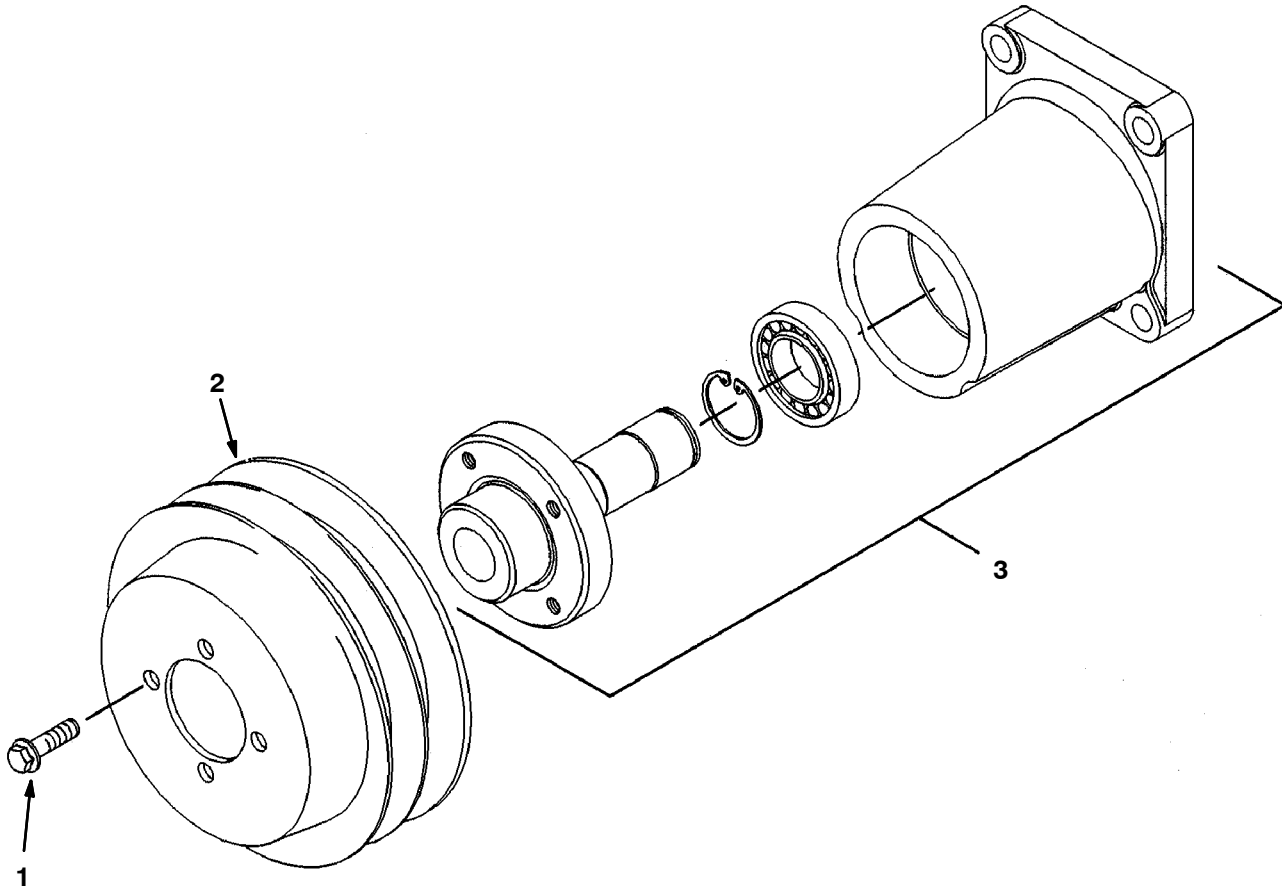
Ref.	Part No.	Description	Qty.
1	372174	Plug, W/ Org	1

Fig. 11 - Engine Plug Group



Ref.	Part No.	Description	Qty.
1	372175	Plug [Set Of 3]	1

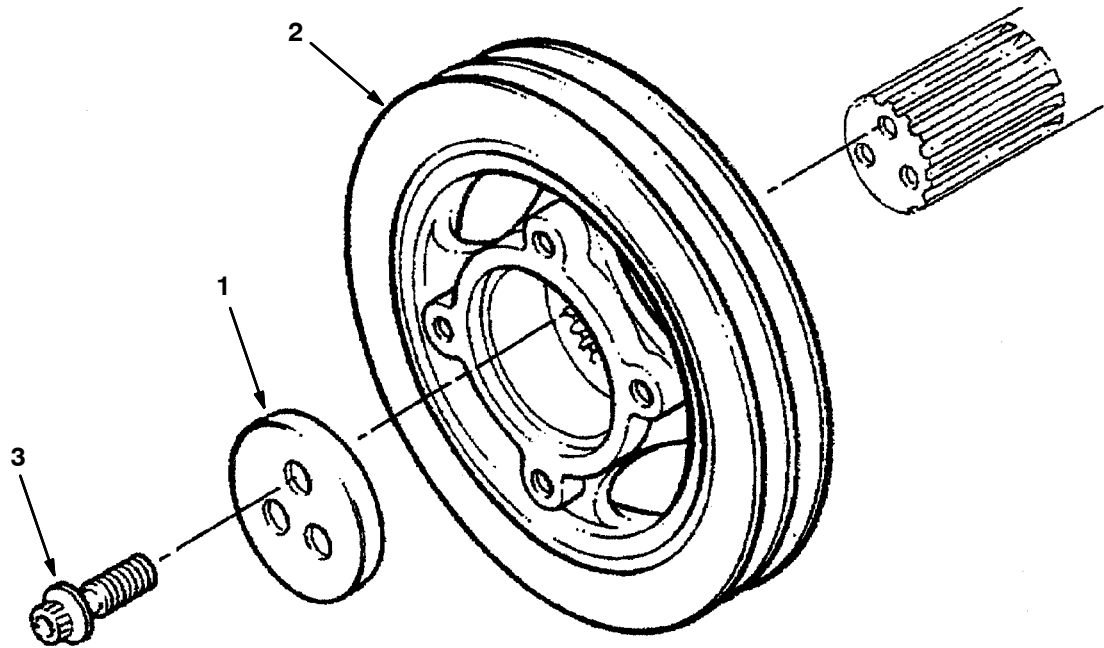
**Fig. 12 - Fan Drive Group**



<b>Ref.</b>	<b>Part No.</b>	<b>Description</b>	<b>Qty.</b>
1	372106	Bolt, M10 X 1.5 X 35mm	4
2	372107	Pulley, Drive, Fan	1
3	372108	Housing Assy	1



Fig. 13 - Crankshaft Pulley Group



Ref.	Part No.	Description	Qty.
1	372176	Block, Pulley	1
2	372264	Pulley	1
3	372178	Bolt, .44-20 X 1.50	3

Fig. 14 - Oil Pan Group

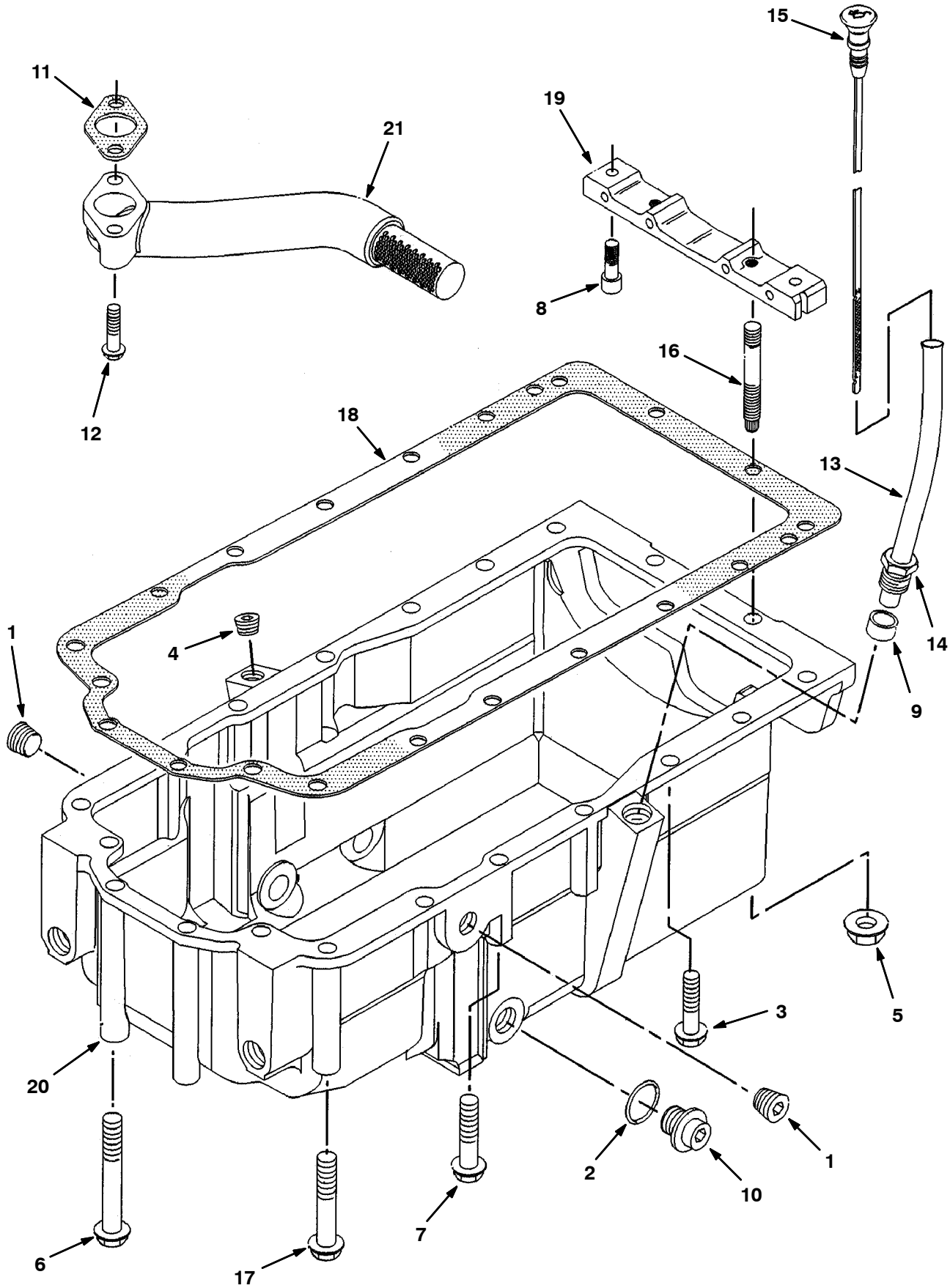
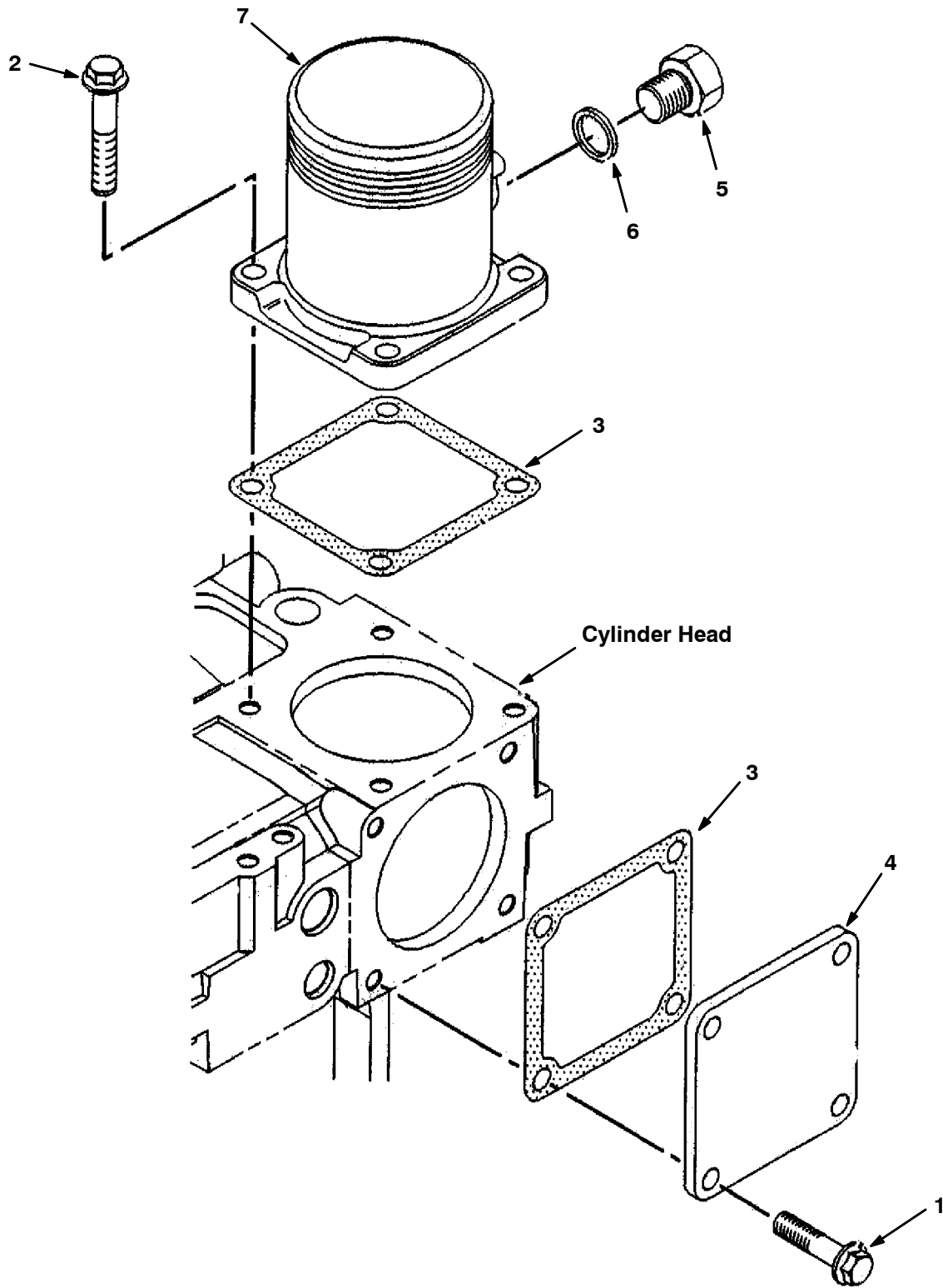


Fig. 14 - Oil Pan Group

Ref.	Part No.	Description	Qty.	
1	372149	Plug, Pipe	2	
2	372150	Seal, Org, Drain, Sump	2	
3	372127	Bolt, M8 X 1.25 X 20mm	8	
4	372151	Plug	1	
5	372152	Nut, M8 X 1.25	2	
6	372153	Bolt	2	
7	372154	Bolt, M8 X 1.25 X 80mm	4	
8	372155	Bolt, M6 X 1.00 X 20mm	2	
9	372156	Seal	1	
10	372157	Plug, Drain, Sump	2	
11	372158	Gasket	1	
12	372095	Bolt, M8 X 1.25 X 35mm	2	
▽	13	372159	Tube Assy	1
▲	14	372160	Nut	1
	15	372161	Dipstick	1
	16	372162	Stud	2
	17	372163	Bolt	4
	18	372164	Gasket	1
	19	372165	Yoke	1
	20	372166	Pan, Oil	1
	21	372167	Strainer	1

Fig. 15 - Exhaust Pipe Group



**Fig. 15 - Exhaust Pipe Group**

<b>Ref.</b>	<b>Part No.</b>	<b>Description</b>	<b>Qty.</b>
1	372168	Bolt, M8 X 1.25 X 20mm	12
2	372091	Bolt, M8 X 1.25 X 25mm	4
3	372169	Gasket	4
4	372170	Plate	3
5	372171	Plug	1
6	372172	Washer	1
7	372173	Pipe	1

Fig. 16 - Fuel Injection Pump Group

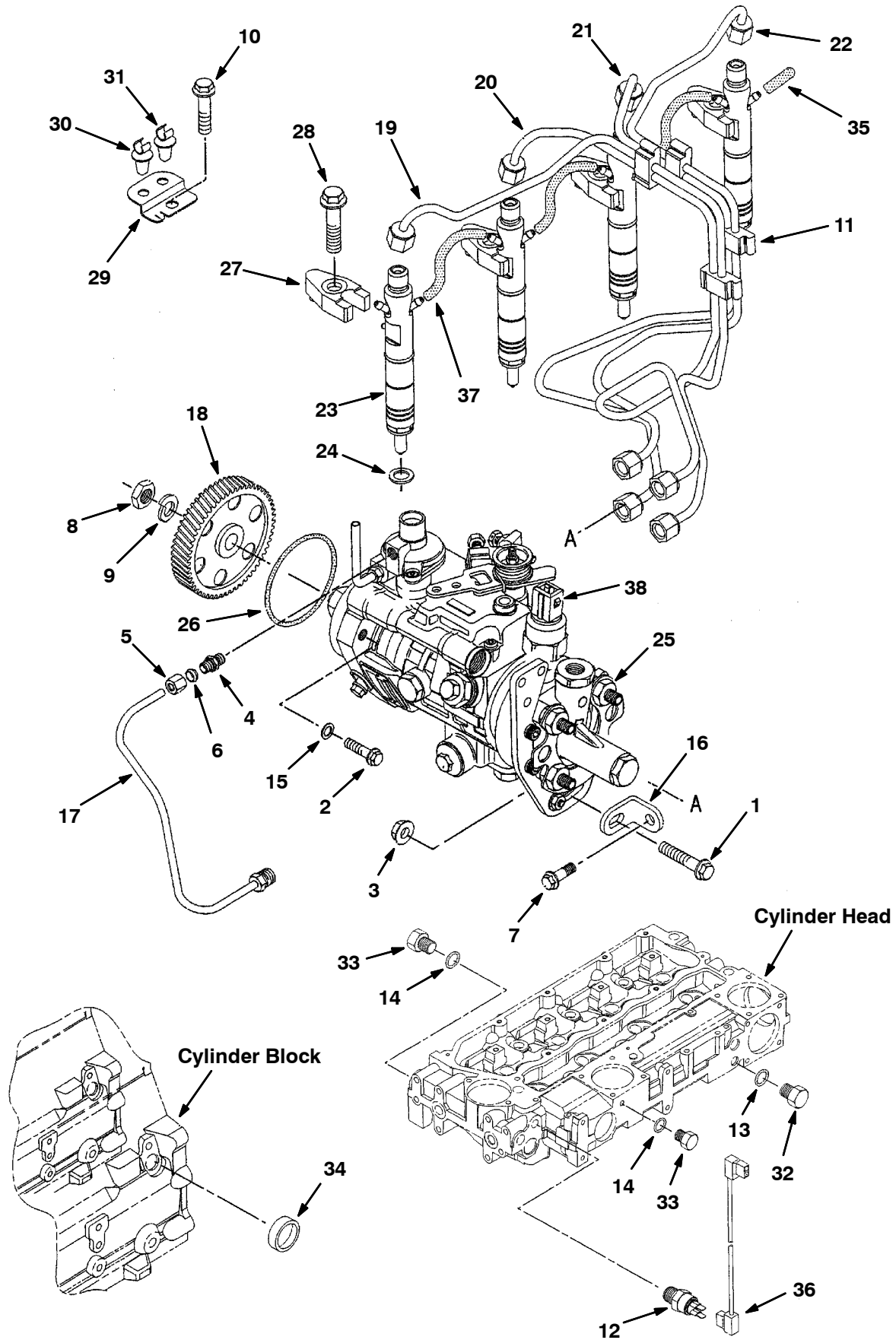


Fig. 16 - Fuel Injection Pump Group

Ref.	Part No.	Description	Qty.	
1	372127	Bolt, M8 X 1.25 X 20mm	1	
2	372087	Bolt, M8 X 1.25 X 25mm	3	
3	372152	Nut, M8 X 1.25	1	
4	372265	Fitting, Str	1	
5	372266	Fitting, Flair	1	
6	372267	Fitting, Brs	1	
7	372101	Bolt, M10 X 1.5 X 20mm	1	
8	372268	Nut	1	
9	372269	Washer	1	
10	372134	Bolt, M8 X 1.25 X 16mm	1	
11	372179	Clip	1	
12	372182	Switch, Advance, Timing	1	
13	372183	Seal, Org	1	
14	372184	Seal, Org	2	
15	372270	Washer	3	
16	372197	Bracket	1	
17	372271	Fuelline Assy	1	
18	372272	Gear, Pump, Fuel	1	
19	372273	Fuelline Assy, Cyl 1	1	
20	372274	Fuelline Assy, Cyl 2	1	
21	372275	Fuelline Assy, Cyl 3	1	
22	372276	Fuelline Assy, Cyl 4	1	
▽	23	372277	Injector Assy, Fuel	4
▲	24	372204	Washer	1
▽	25	372278	Pump Assy, Injection, Fuel	1
▲	26	372279	Seal, Org	1
	27	372280	Clamp, Injector	4
	28	372281	Bolt	4
	29	372185	Bracket	1
	30	372282	Clip, Pipe	1
	31	372186	Clip, Pipe	1
	32	372187	Plug	1
	33	372188	Plug	2
	34	372189	Plug, Cup	1
	35	372283	Cap	1
	36	372284	Cable	1
	37	372285	Hose	3
	38	1037758	Solenoid, Shutoff, Fuel, Turbo	1
		372194	Clip (Not Shown)	1
		372195	Clip (Not Shown)	1

Fig. 17 - Water Pump Group

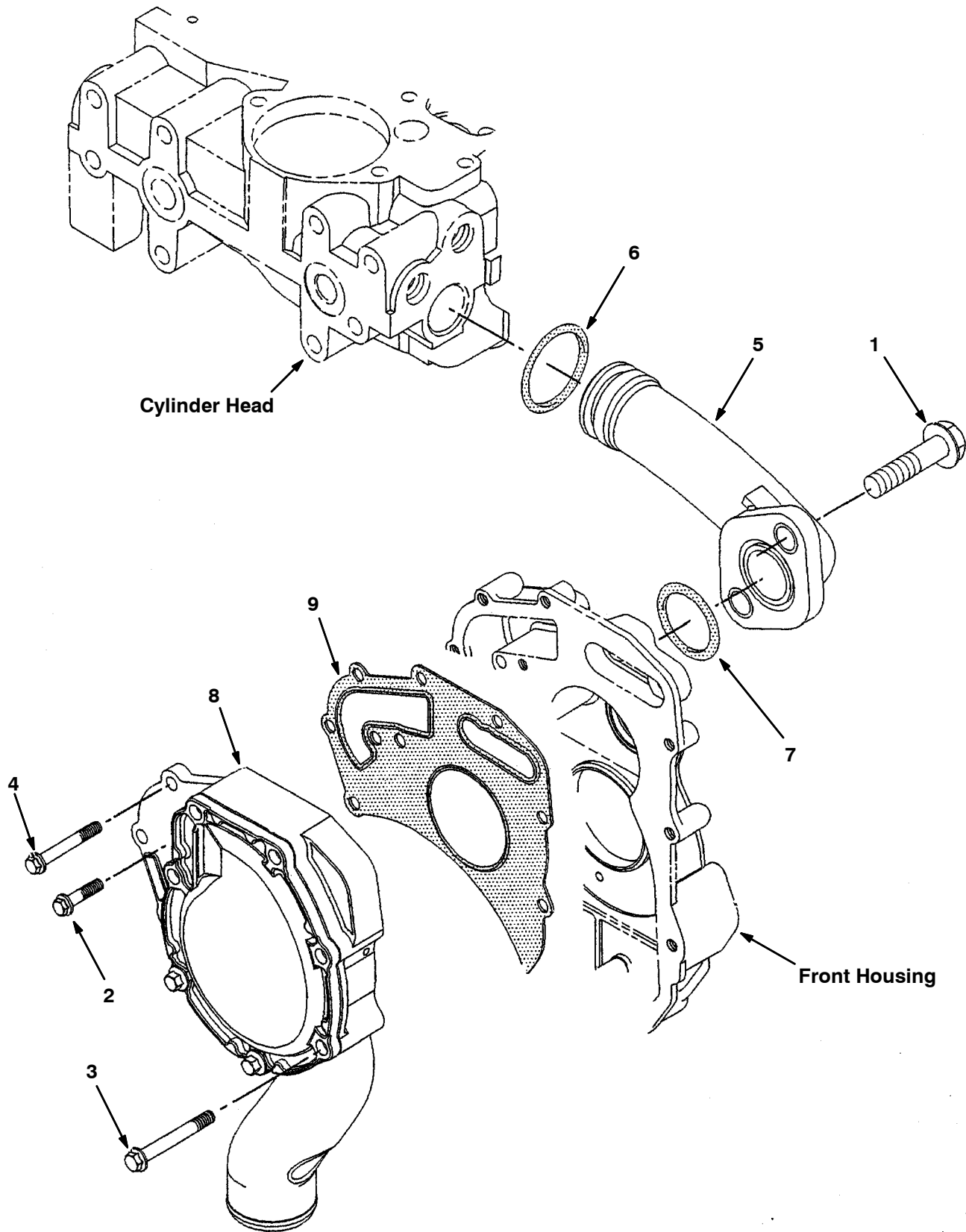
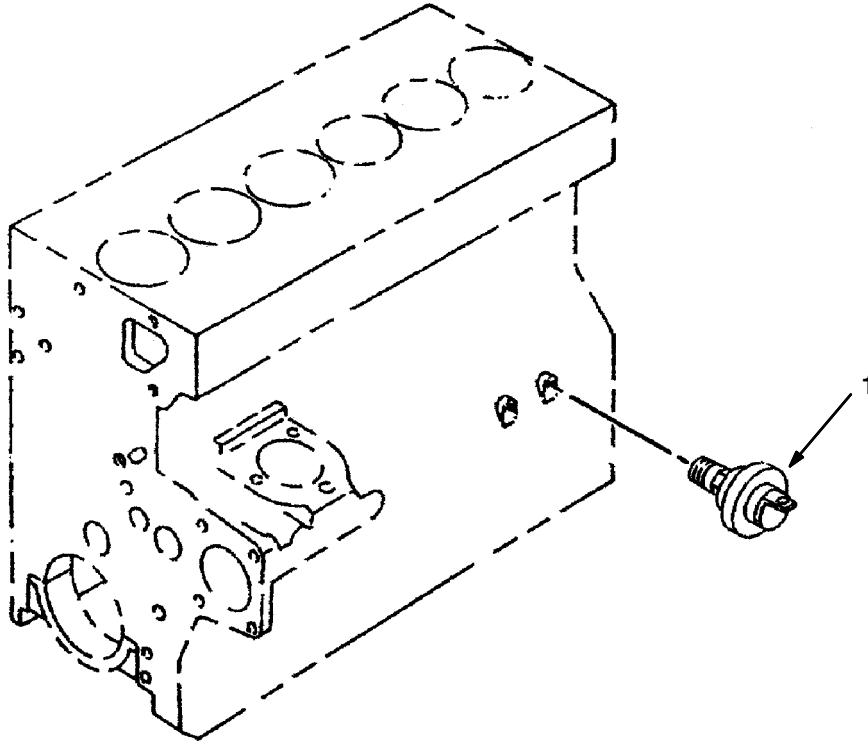




Fig. 17 - Water Pump Group

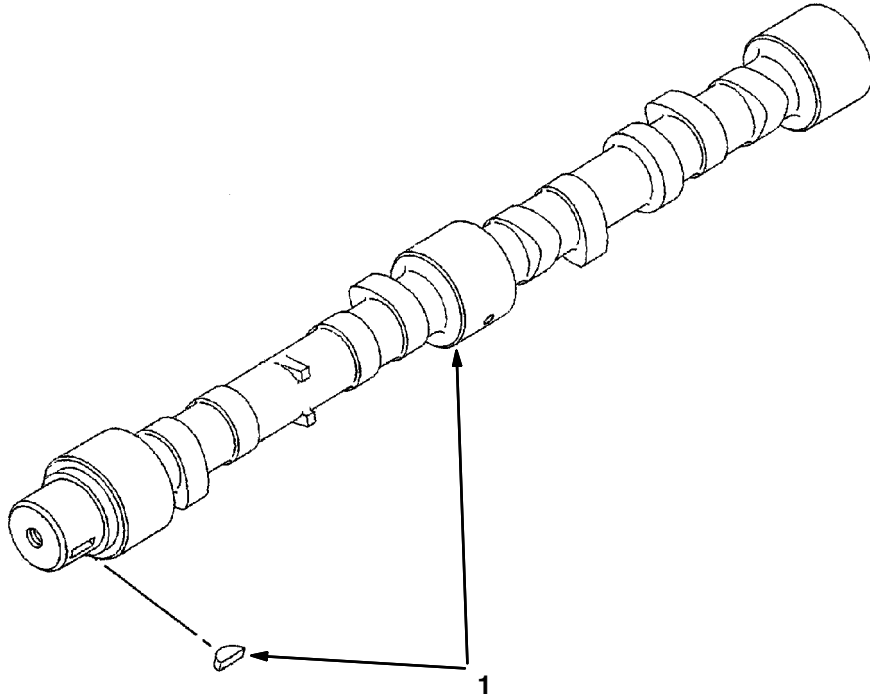
	<b>Ref.</b>	<b>Part No.</b>	<b>Description</b>	<b>Qty.</b>
	1	372127	Bolt, M8 X 1.25 X 20mm	2
	2	372207	Bolt, M8 X 1.25 X 30mm	2
	3	372133	Bolt, M8 X 1.25 X 65mm	5
	4	372208	Bolt, M8 X 75mm	2
▽	5	372209	Pipe Assy	1
▲	6	372210	Seal, Org	1
▲	7	372211	Seal, Org	1
▽	8	372212	Pump Assy, Water	1
▲	9	372213	Gasket	1

Fig. 18 - Pressure Switch Group



Ref.	Part No.	Description	Qty.
1	372214	Switch Assy, Press, Oil, Eng	1

Fig. 19 - Camshaft Group



Ref.	Part No.	Description	Qty.
1	372214	Switch Assy, Press, Oil, Eng	1

Fig. 20 - Crankshaft Group

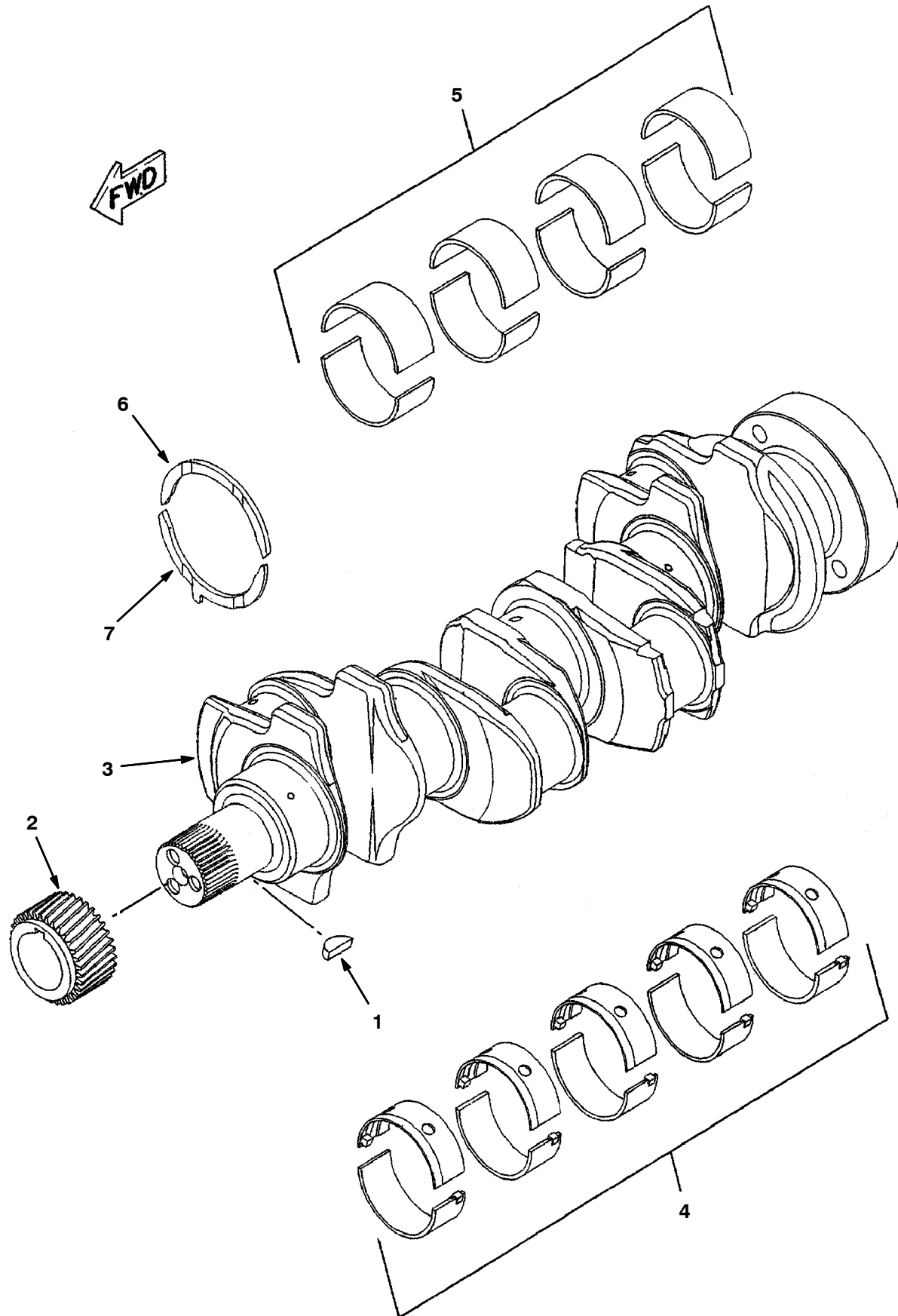


Fig. 20 - Crankshaft Group

	Ref.	Part No.	Description	Qty.
	1	372124	Key, Woodruff	1
	2	372334	Gear, Cshaft, 34tooth	1
▽	3	372402	Kit, Cshft	1
▲	4	372336	Kit, Brg, Main	1
▲	4	372337	Kit, Brg, Cshft, .25mm	1
▲	4	372338	Kit, Brg, Cshft, .50mm	1
▲	4	372339	Kit, Brg, Cshft, .76mm	1
▲	5	372340	Kit, Brg, Rod, Std	1
▲	5	372341	Kit, Brg, Rod, .25mm	1
▲	5	372342	Kit, Brg, Rod, .50mm	1
▲	5	372343	Kit, Brg, Rod, .76mm	1
▲	6	372344	Washer, Thrust, Upper, Std	2
▲	6	372345	Washer, Thrust, .18mm [Oversized]	2
▲	7	372346	Washer, Thrust, Lower, Std	2
▲	7	372347	Washer, Thrust, .18mm [Oversized]	2

Fig. 21 - Cylinder Block Group

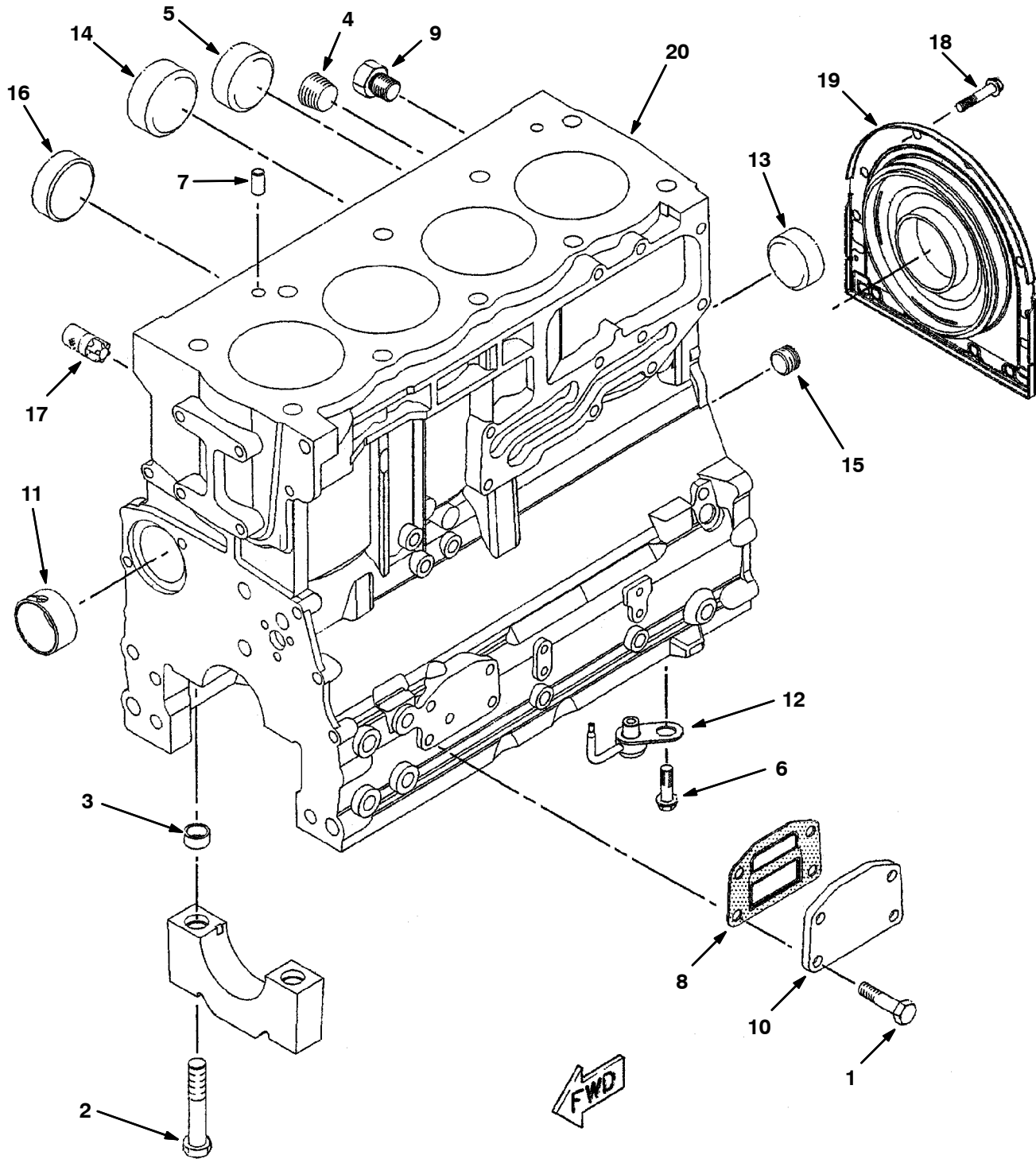
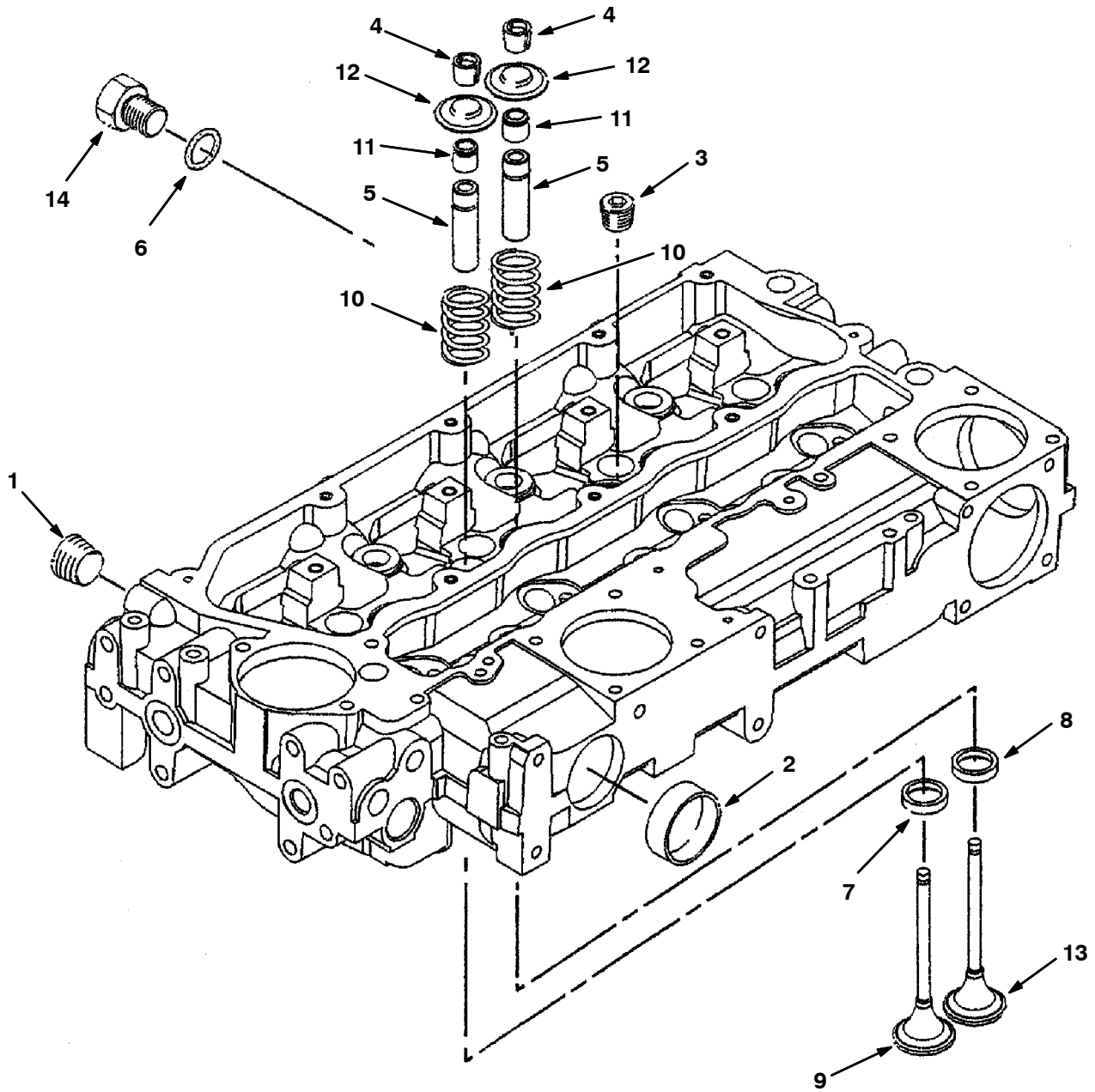


Fig. 21 - Cylinder Block Group

Ref.	Part No.	Description	Qty.
1	372168	Bolt, M8 X 1.25 X 20mm	4
2	372348	Bolt	10
3	372349	Pin, Dowel	10
4	372350	Plug	1
5	372351	Plug, Side	1
6	372352	Screw, M6 X 1.00 X 10mm	4
7	372353	Pin, Dowel	2
8	372217	Gasket, Adapter, Fltr, Oil	1
9	372354	Plug	2
10	372355	Plate	1
11	372356	Bearing	1
12	372357	Nozzle, Jet, Piston Cooling	4
13	372358	Plug	1
14	372359	Plug	2
15	372360	Plug	1
16	372361	Plug, Cup	1
17	372362	Plug	1
18	372363	Screw, M8 X 1.25 X 16mm	10
19	372364	Housing Assy	1
20	372365	Block Assy, Cyl	1

Fig. 22 - Cylinder Head Group





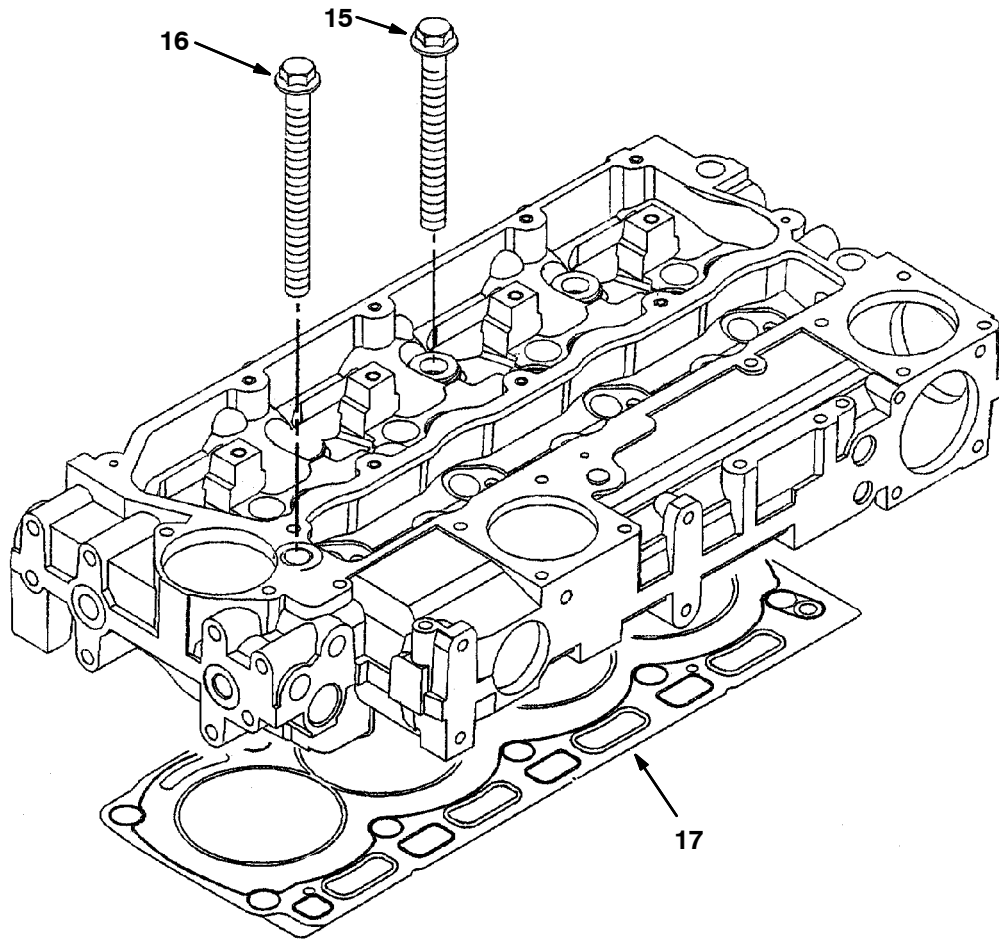


Fig. 22 - Cylinder Head Group

Ref.	Part No.	Description	Qty.
1	372159	Tube Assy	1
2	372367	Plug	2
3	372350	Plug	4
4	372368	Retainer	16
5	372369	Guide, Valve, Intake	8
6	372184	Seal, Org	1
7	372370	Insert, Valve, Inlet	4
8	372371	Insert, Valve, Exhaust	4
9	372372	Valve, Inlet	4
10	372373	Spring, Valve	8
11	372374	Seal, Valve	8
12	372375	Cap	8
13	372376	Valve, Exhaust	4
14	372188	Plug	1
15	372378	Bolt	7
16	372379	Bolt	3
17	372380	Gasket, Head	1

Fig. 23 - Piston and Rod Group

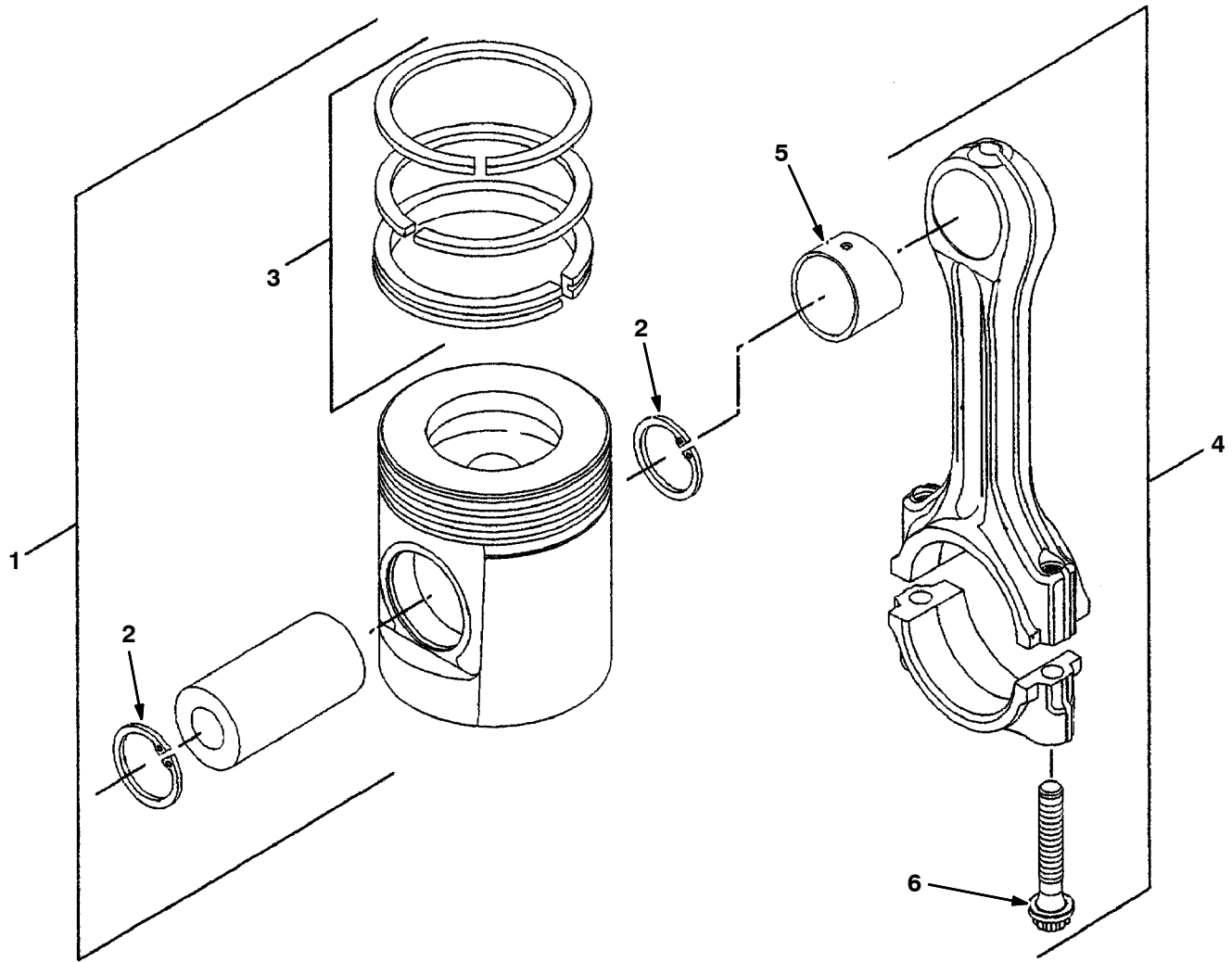


Fig. 23 - Piston and Rod Group

	<b>Ref.</b>	<b>Part No.</b>	<b>Description</b>	<b>Qty.</b>
▽	1	372404	Piston Assy	4
▲	2	372382	Ring, Retaining	2
▲	3	372383	Kit, Ring, Piston	1
▽	4	372384	Rod Assy	4
▲	5	372385	Bushing	1
▲	6	372386	Bolt	2

Fig. 24 - Valve Mechanism Group

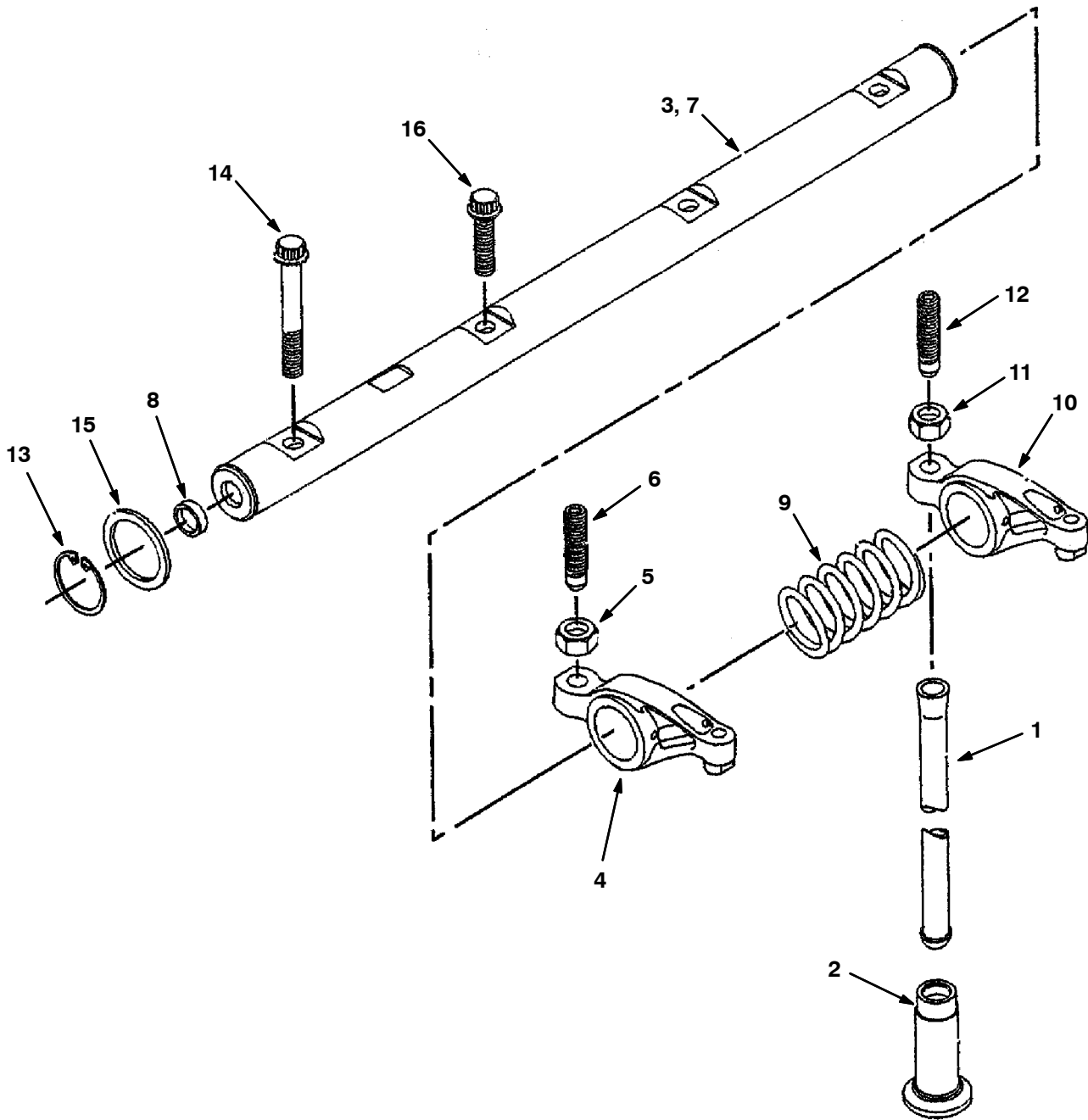


Fig. 24 - Valve Mechanism Group

	Ref.	Part No.	Description	Qty.
	1	372387	Rod	8
	2	372388	Tappet	8
▽	3	372389	Arm Assy, Rocker	1
▽▲	4	372390	Lever Assy	4
▲▲	5	372391	Nut, Jam, .38-24	1
▲▲	6	372392	Screw	1
▲	7	372393	Shaft Assy	1
▲	8	372394	Plug	2
▲	9	372395	Spring	3
▽▲	10	372396	Lever Assy	4
▲▲	11	372391	Nut, Jam, .38-24	1
▲▲	12	372392	Screw	1
▲	13	372397	Clip	2
▲	14	372398	Bolt	1
▲	15	372399	Washer	2
▲	16	372400	Bolt	3

Fig. 25 - Turbocharger Group

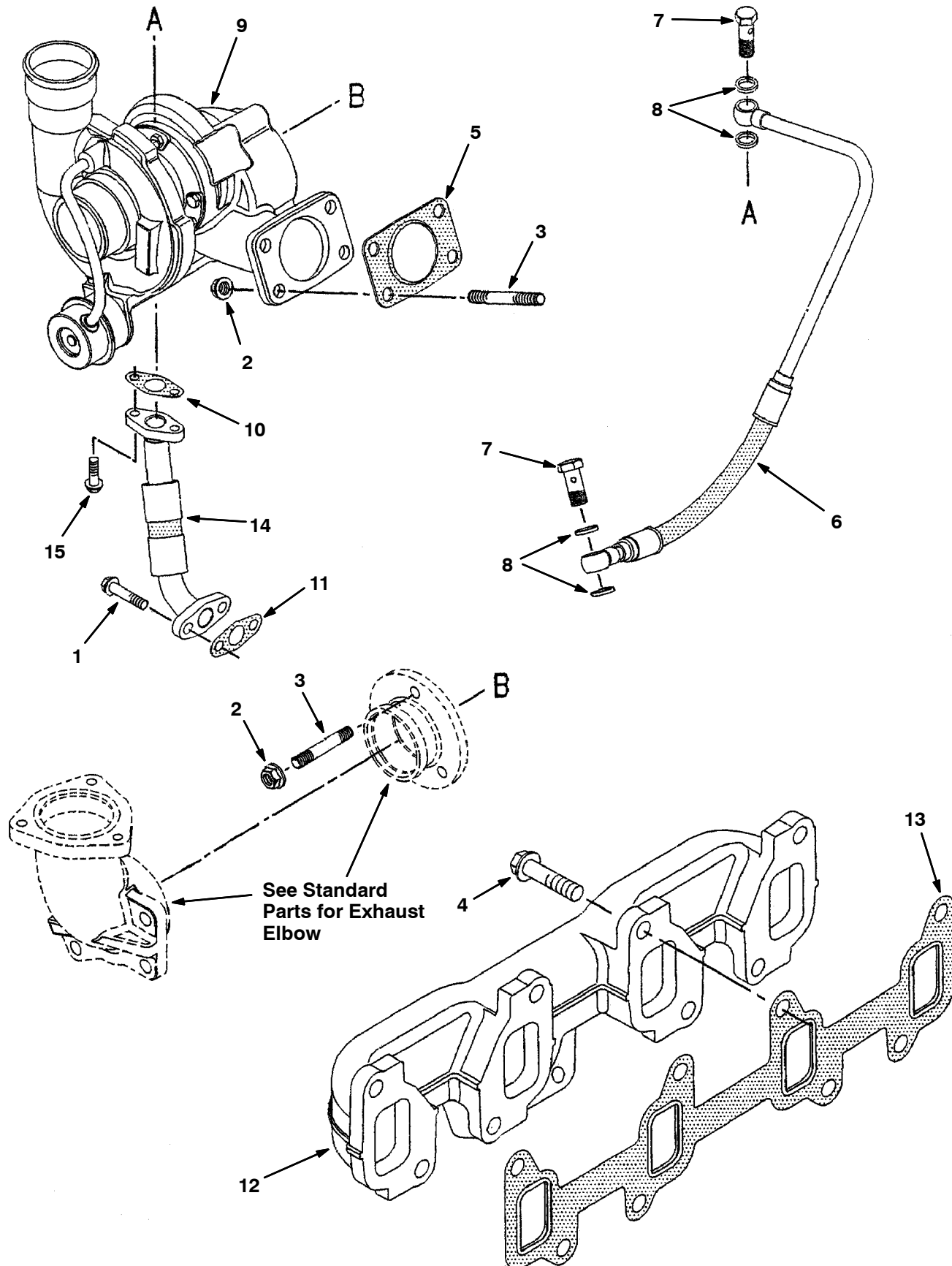


Fig. 25 - Turbocharger Group

Ref.	Part No.	Description	Qty.	
1	372127	Bolt, M8 X 1.25 X 20mm	2	
2	372423	Nut, M10	7	
3	372426	Stud	7	
4	372146	Bolt	8	
5	372427	Gasket, Manifold	1	
▽	6	372428	Tube Assy	1
▲	7	372429	Bolt	2
▲	8	372430	Washer	4
9	372431	Turbocharger	1	
10	372432	Gasket	1	
11	372433	Gasket	1	
12	372434	Manifold, Exhaust	1	
13	372147	Gasket	1	
14	372437	Tube Assy	1	
15	372438	Bolt	2	





## SECTION 7

<b>Contents</b>	<b>Page</b>
Fig. 1 - Balancer Group .....	7-2
Fig. 2 - Valve Mechanism Cover Group .....	7-4
Fig. 3 - Front Housing Cover Group .....	7-6
Fig. 4 - Front Housing Group .....	7-8
Fig. 5 - Engine Lifting Group .....	7-10
Fig. 6 - Engine Plug Group .....	7-11
Fig. 7 - Engine Plug Group .....	7-12
Fig. 8 - Fan Drive Group .....	7-13
Fig. 9 - Crankshaft Pulley Group .....	7-14
Fig. 10 - Water Connection Group .....	7-15
Fig. 11 - Oil Pan Group .....	7-16
Fig. 12 - Exhaust Pipe Group .....	7-18
Fig. 13 - Fuel Injection Pump Group .....	7-20
Fig. 14 - Water Pump Group .....	7-22
Fig. 15 - Glow Plug Group .....	7-24
Fig. 16 - Camshaft Group .....	7-25
Fig. 17 - Crankshaft Group .....	7-26
Fig. 18 - Cylinder Block Group .....	7-28
Fig. 19 - Piston and Rod Group .....	7-30
Fig. 20 - Turbocharger Group .....	7-32
Fig. 21 - Cylinder Head Group .....	7-34
Fig. 22 - Flywheel Housing Group .....	7-35
Fig. 23 - Flywheel Group .....	7-36
Fig. 24 - Starter Group .....	7-37
Fig. 25 - Alternator Group .....	7-38

Fig. 1 - Balancer Group

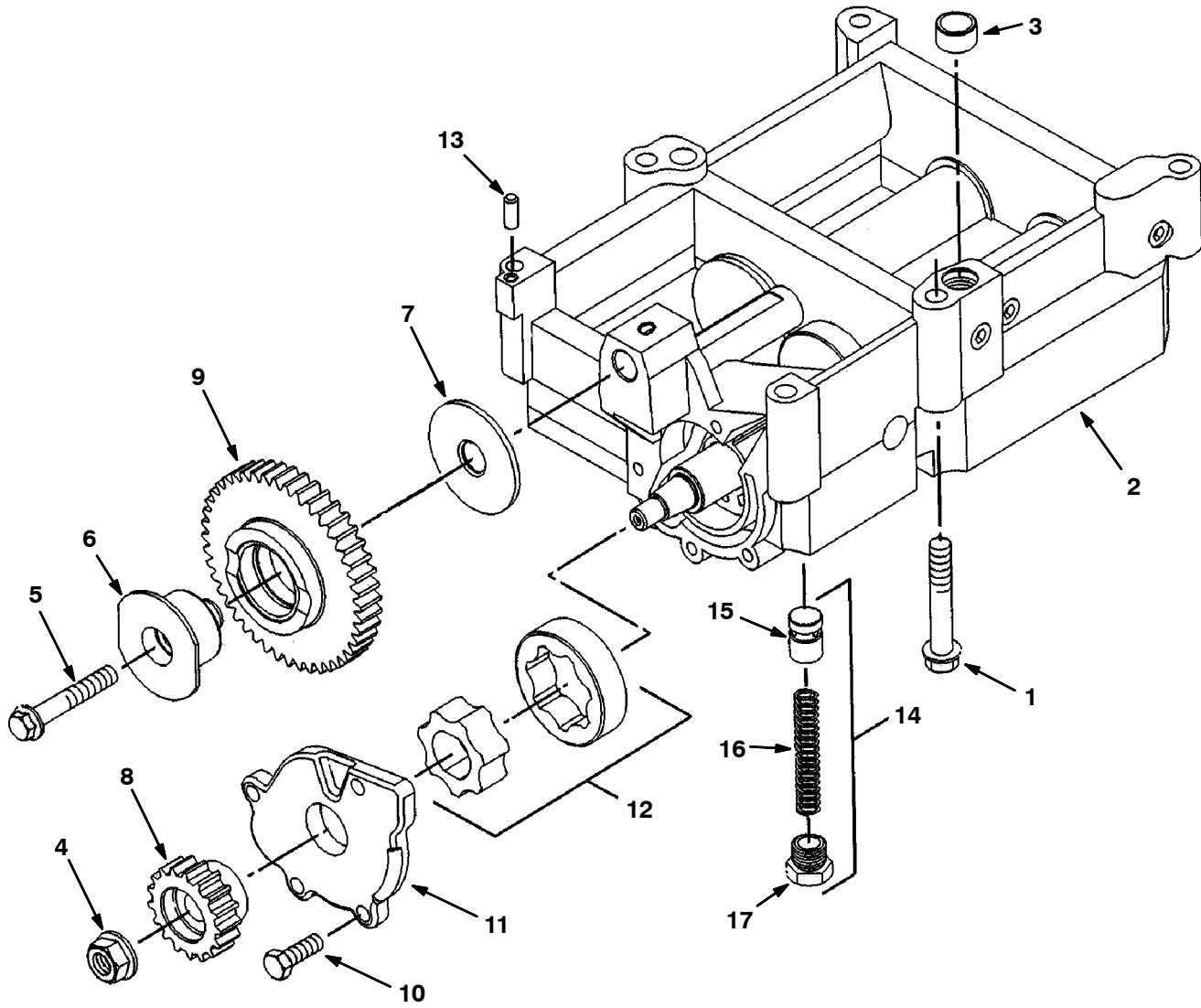


Fig. 1 - Balancer Group

	Ref.	Part No.	Description	Qty.
	1	372069	Bolt, M10 X 1.5 X 70mm	6
▽	2	372070	Balancer	1
▲	3	372071	Dowel	1
▲	4	372072	Nut	1
▲	5	372073	Bolt	1
▲	6	372074	Gear, Shaft	1
▲	7	372075	Washer, Thrust	1
▲	8	372076	Gear, Balancer, 17tooth	1
▲	9	372077	Gear, 44tooth	1
▲	10	372079	Bolt	5
▲	11	372080	Cover	1
▲	12	372081	Rotor	1
▲	13	372082	Dowel	1
▲▽	14	372083	Valve, Relief, Press, Oil, Eng	1
▲▲	15	372084	Plunger	1
▲▲	16	372085	Spring	1
▲▲	17	372086	Plug, Retainer	1

Fig. 2 - Valve Mechanism Cover Group

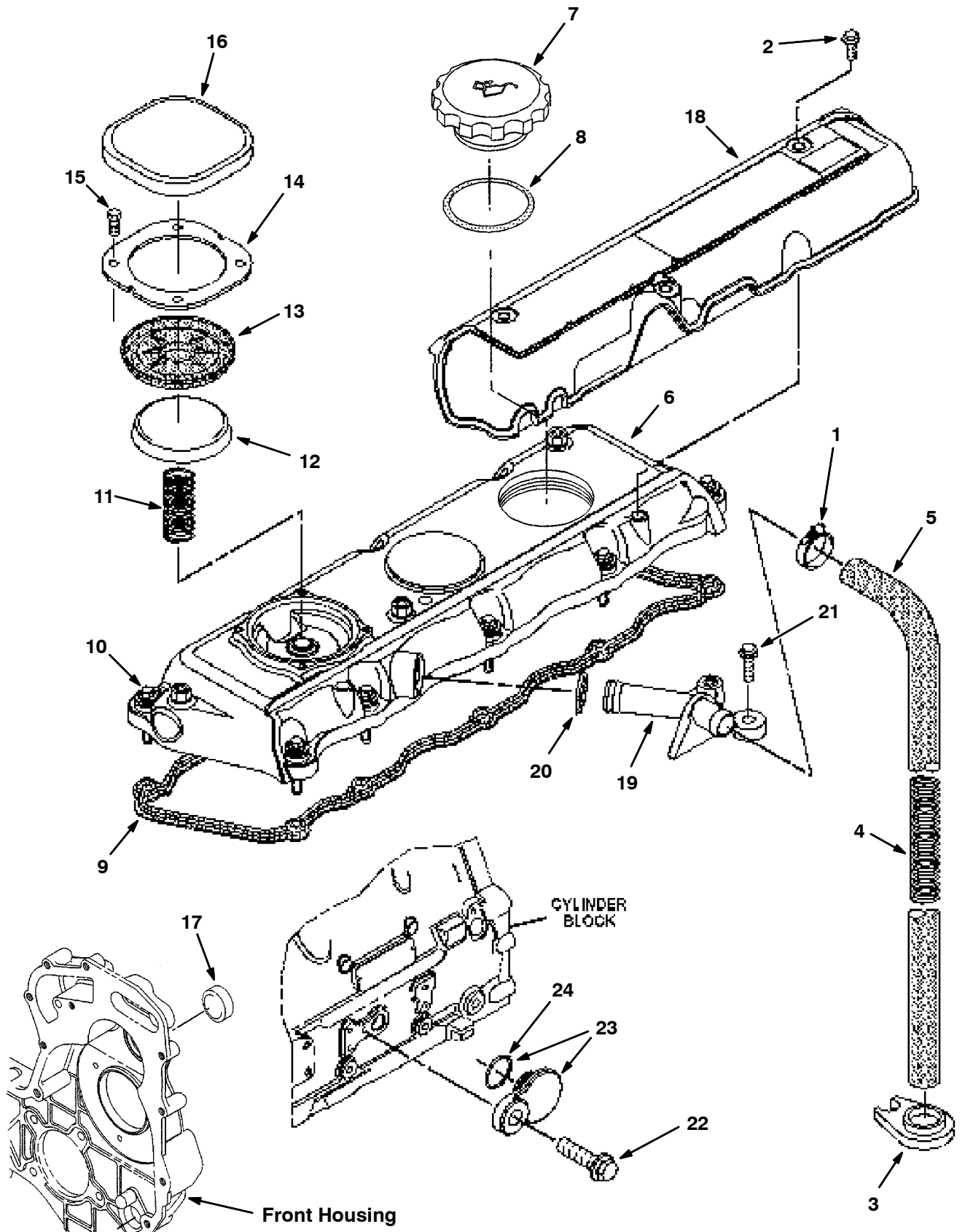


Fig. 2 - Valve Mechanism Cover Group

Ref.	Part No.	Description	Qty.	
1	372255	Clamp, Hose	1	
2	372405	Bolt, M6 X 1.0 X 14mm	3	
3	372256	Bracket	1	
4	372257	Spring, Hose, Breather, Crankcase	1	
5	372258	Hose, Breather, Crankcase	1	
▽	6	9005326	Cover, Cyl [Cat 08]	1
▲▽	7	372407	Cap, Filler, Oil	1
▲▲	8	372408	Seal, Cap, Oil Filler	1
▲	9	372259	Gasket, Cover, Valve	1
▲	10	372409	Bolt	12
▲	11	372410	Spring	1
▲	12	372411	Cap	1
▲	13	372412	Partition, Diaphragm	1
▲	14	372413	Plate	1
▲	15	372414	Screw	4
▲	16	372415	Cap	1
	17	372416	Plug, Cup	1
	18	372417	Cover	1
▽	19	9005327	Tube [Cat 08]	1
▲	20	372419	Seal, Org	1
▲	21	9005323	Bolt [Cat 08]	1
	22	372127	Bolt, M08 X 1.25 X 20mm	1
▽	23	9005324	Cover [Cat 08]	1
▲	24	9005325	Seal, Org [Cat 08]	1

Fig. 3 - Front Housing Cover Group

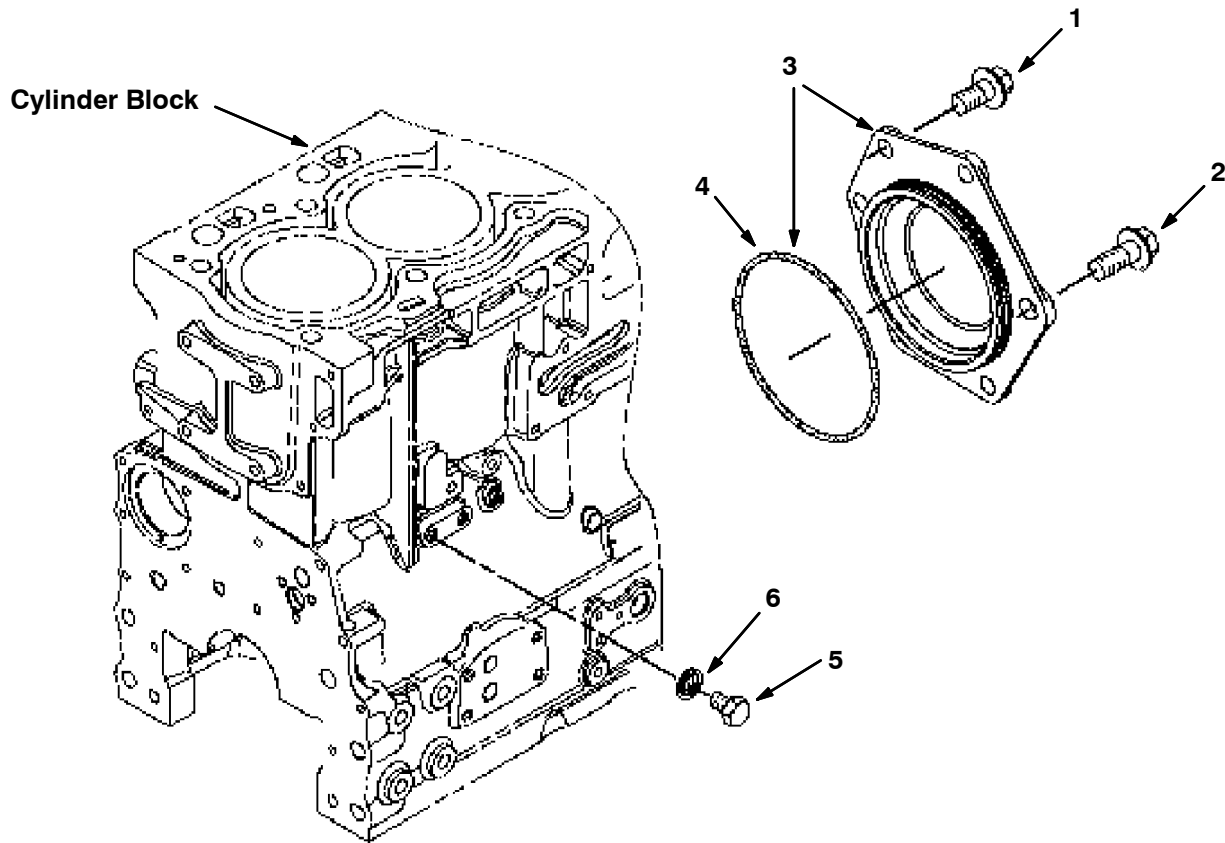


Fig. 3 - Front Housing Cover Group

Ref.	Part No.	Description	Qty.	
1	372101	Bolt, M10 X 1.5 X 20mm	1	
2	372102	Bolt	5	
▽	3	372103	Cover Assy, Gear, Timing	1
▲	4	372104	Seal, Cover	1
5	9005331	Bolt [Cat 08]	1	
6	9005313	Washer, Seal [Cat 08]	1	

Fig. 4 - Front Housing Group

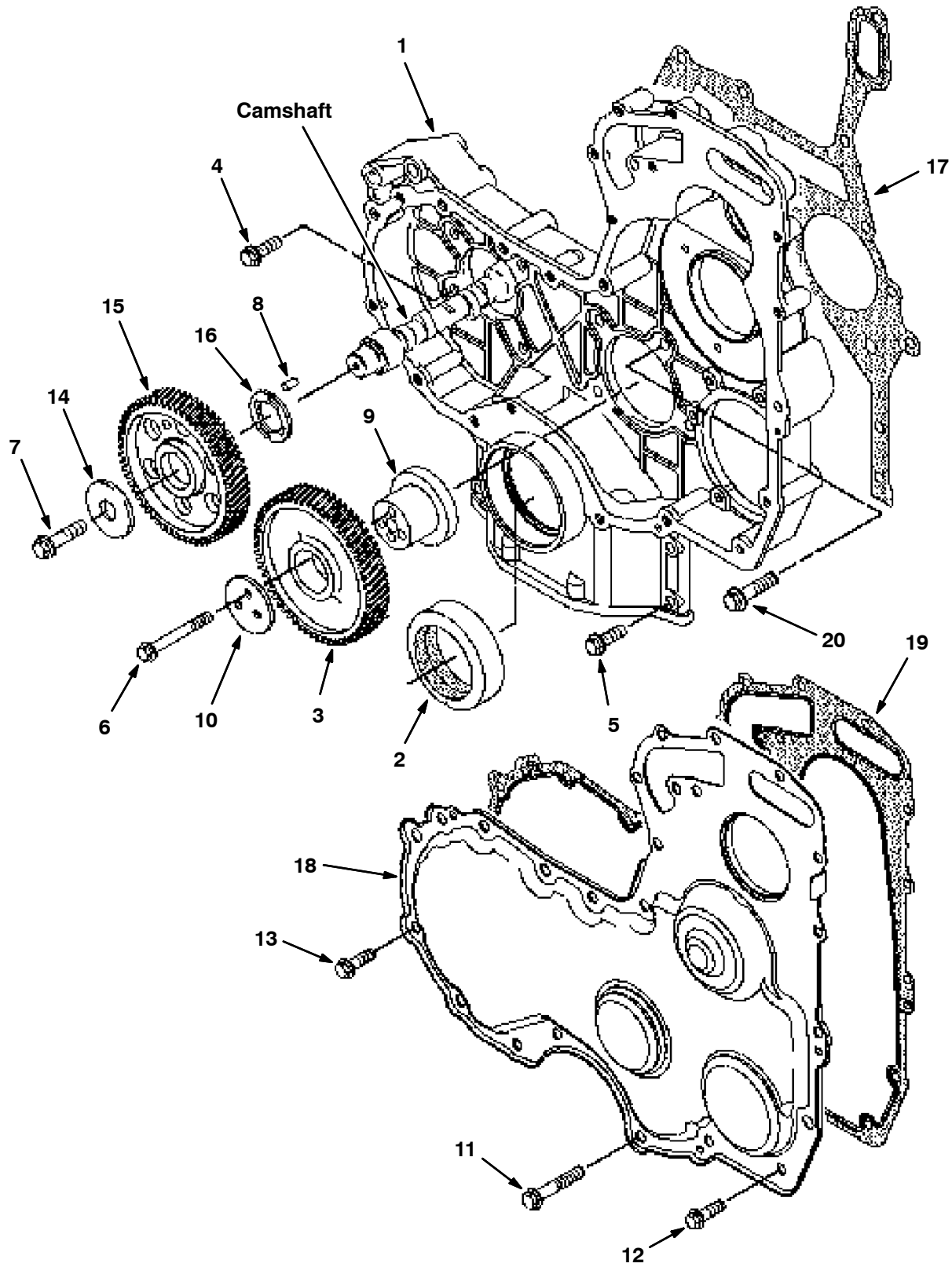
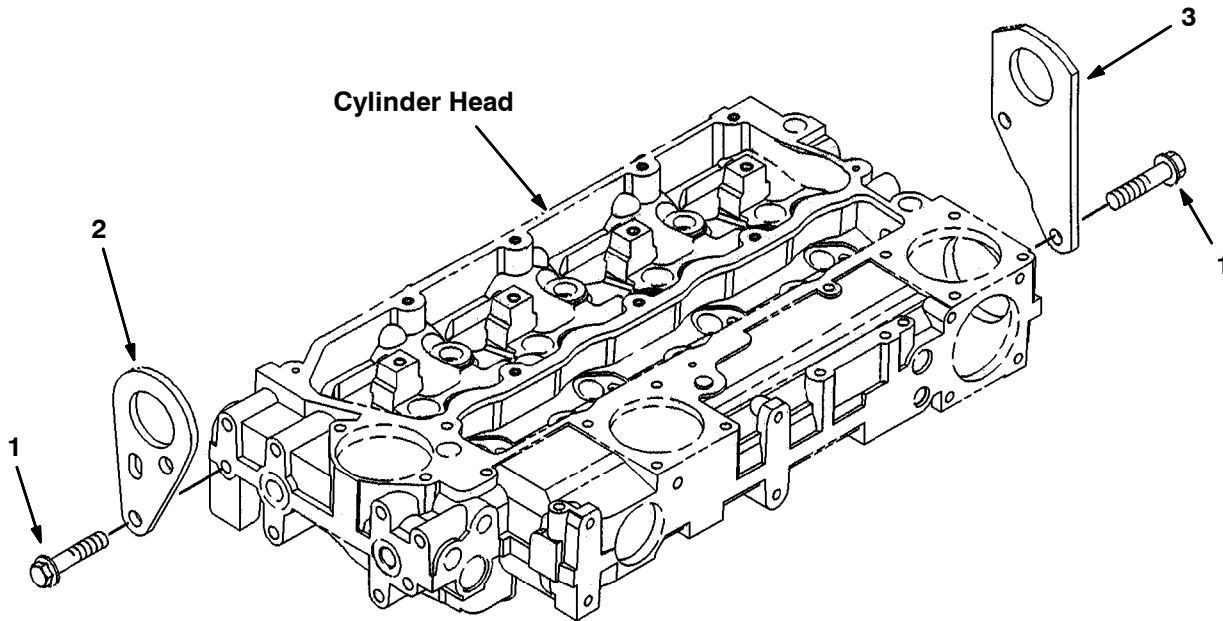




Fig. 4 - Front Housing Group

Ref.	Part No.	Description	Qty.	
1	9005311	Housing, Front [Cat 08]	1	
2	9005310	Seal, Oil [Cat 08]	1	
3	9005307	Gear, Idler [Cat 08]	1	
4	372127	Bolt, M8 X 1.25 X 20mm	6	
5	372091	Bolt, M8 X 1.25 X 25mm	4	
6	9005306	Vr, Bolt [Cat 08]	3	
7	372129	Bolt, M12 X 1.75 X 45mm	1	
8	372130	Pin, Dowel	1	
9	9005309	Hub, Idler, Gear [Cat 08]	1	
10	9005312	Plate, Retaining [Cat 08]	1	
11	372133	Bolt, M8 X 1.25 X 65mm	5	
12	372101	Bolt, M10 X 1.5 X 20mm	1	
13	372134	Bolt, M8 X 1.25 X 16mm	9	
14	372135	Washer	1	
15	372136	Gear, Camshaft, 68tooth	1	
16	372141	Washer, Thrust, Camshaft	1	
17	9005308	Gasket, Cover [Cat 08]	1	
▽	18	372139	Cover Assy, Front	1
▲	19	372140	Gasket, Cover	1
	20	372095	Bolt, M08 X 1.25 X 35mm	2

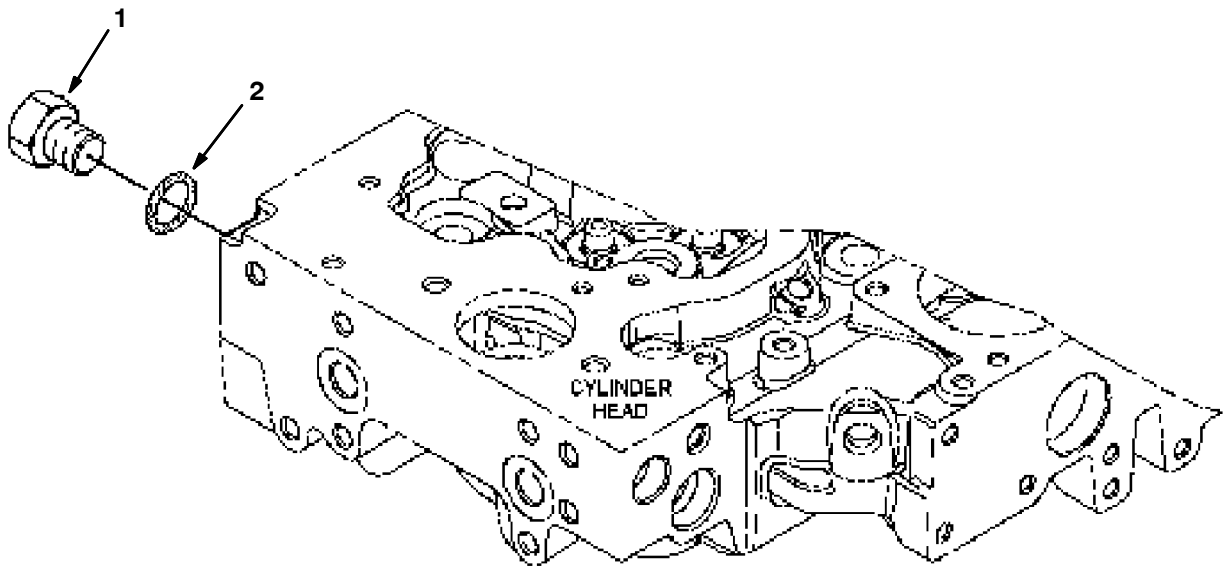
Fig. 5 - Engine Lifting Group



352398

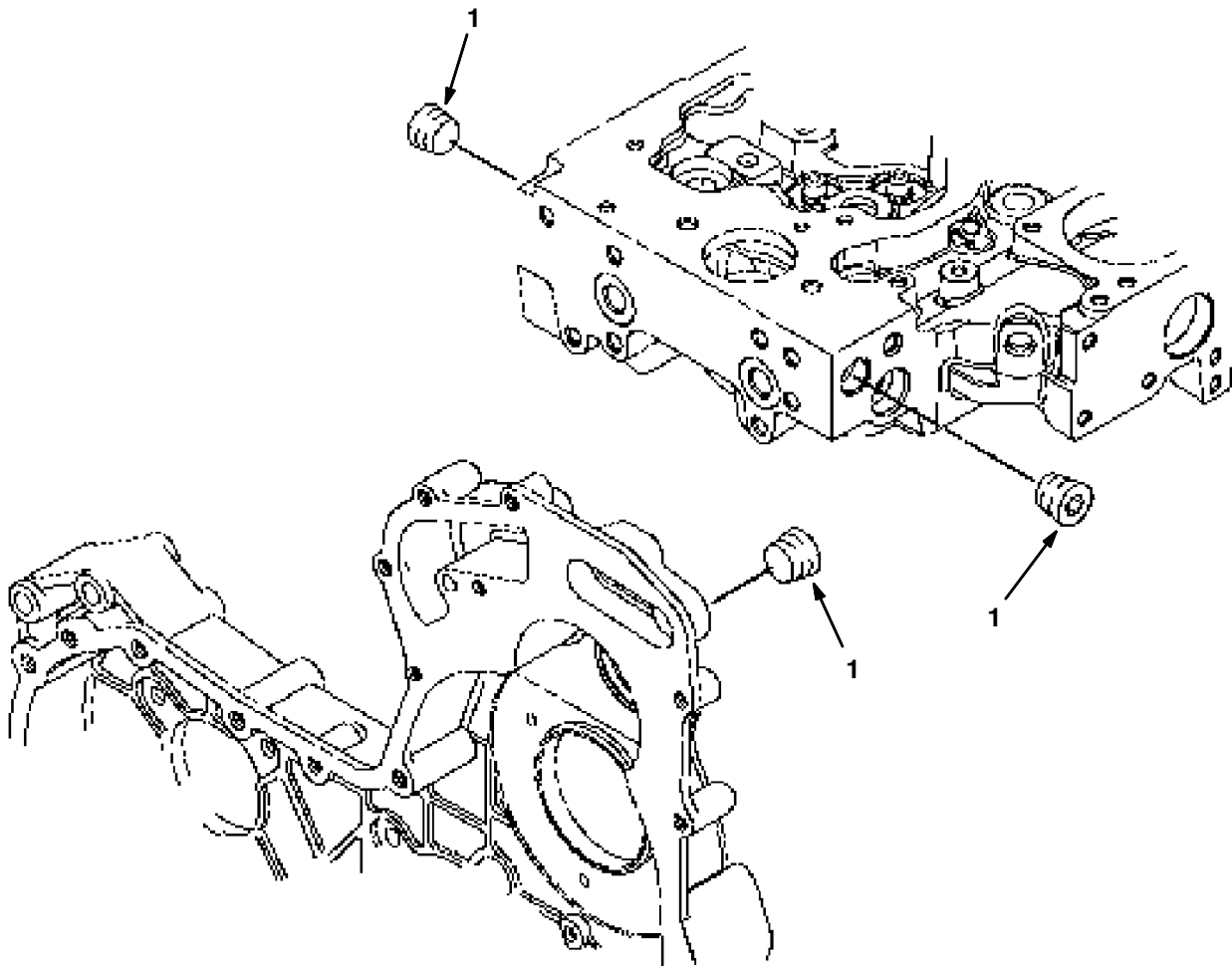
Ref.	Part No.	Description	Qty.
1	372101	Bolt, M10 X 1.50 X 20mm	4
2	9005320	Plate, Lift [Cat 08]	1
3	9005321	Plate, Lift [Cat 08]	1

Fig. 6 - Engine Plug Group



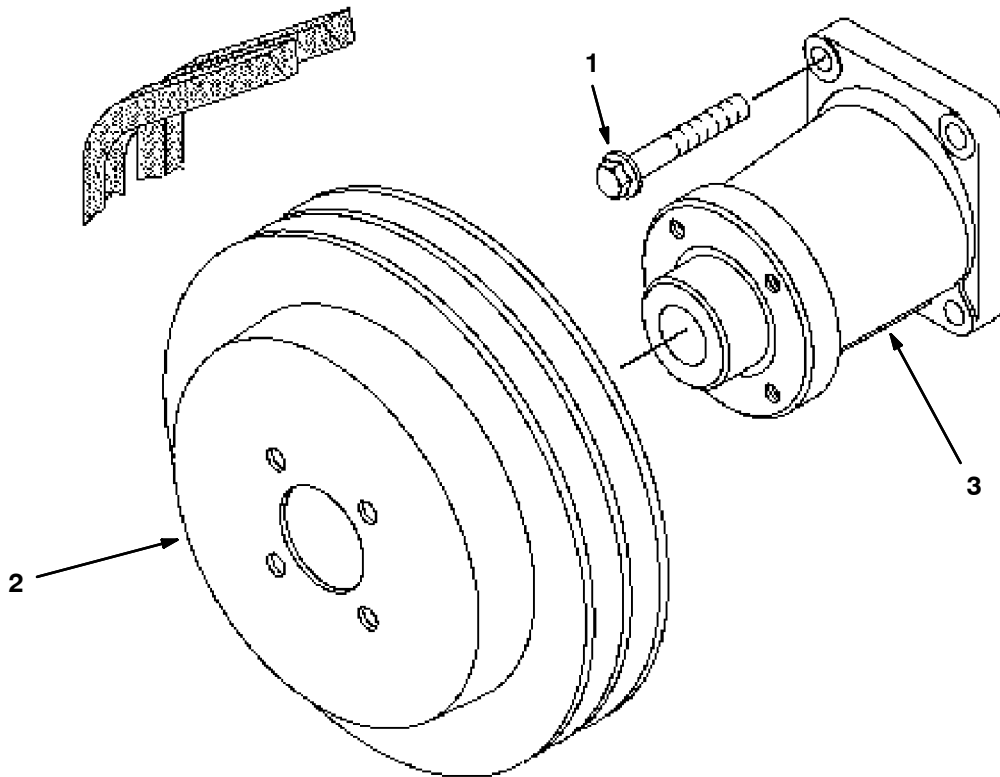
Ref.	Part No.	Description	Qty.
1	372188	Plug	1
2	372184	Seal, Org	1

Fig. 7 - Engine Plug Group



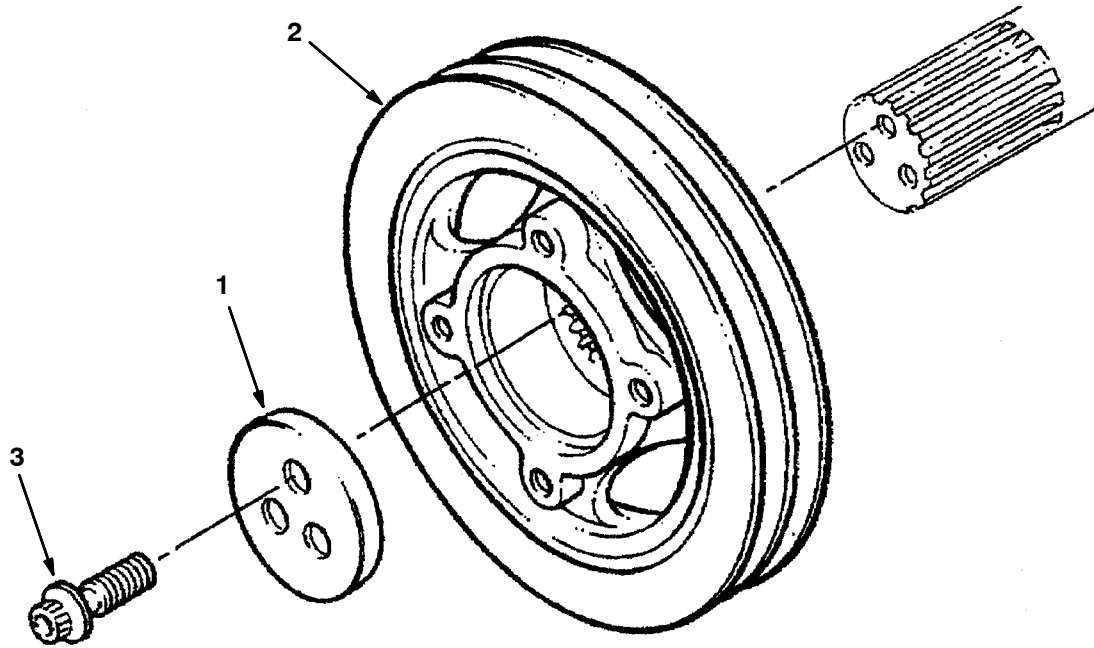
Ref.	Part No.	Description	Qty.
1	372149	Plug, Pipe	3

Fig. 8 - Fan Drive Group



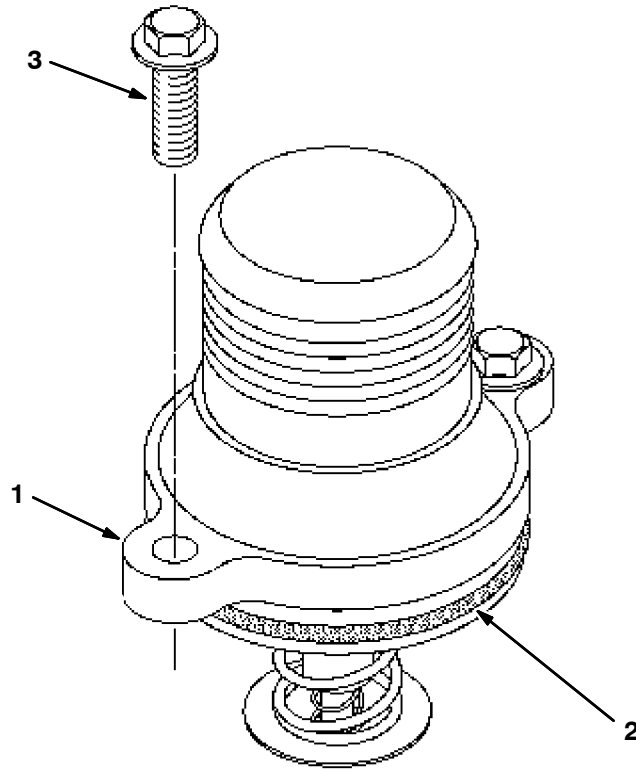
Ref.	Part No.	Description	Qty.
1	372106	Bolt, M10 X 1.5 X 35mm	4
2	9005355	Pulley, Fan [Cat 08]	1
3	372108	Housing Assy	1

Fig. 9 - Crankshaft Pulley Group



Ref.	Part No.	Description	Qty.
1	372176	Block, Pulley	1
2	372264	Pulley	1
3	372178	Bolt, .44-20 X 1.50	3

Fig. 10 - Water Connection Group



Ref.	Part No.	Description	Qty.
1	372089	Regulator, Temp,Water	1
2	9005322	Seal, Org [Cat 08]	1
3	372087	Bolt, M8 X 1.25 X 25mm	2

Fig. 11 - Oil Pan Group

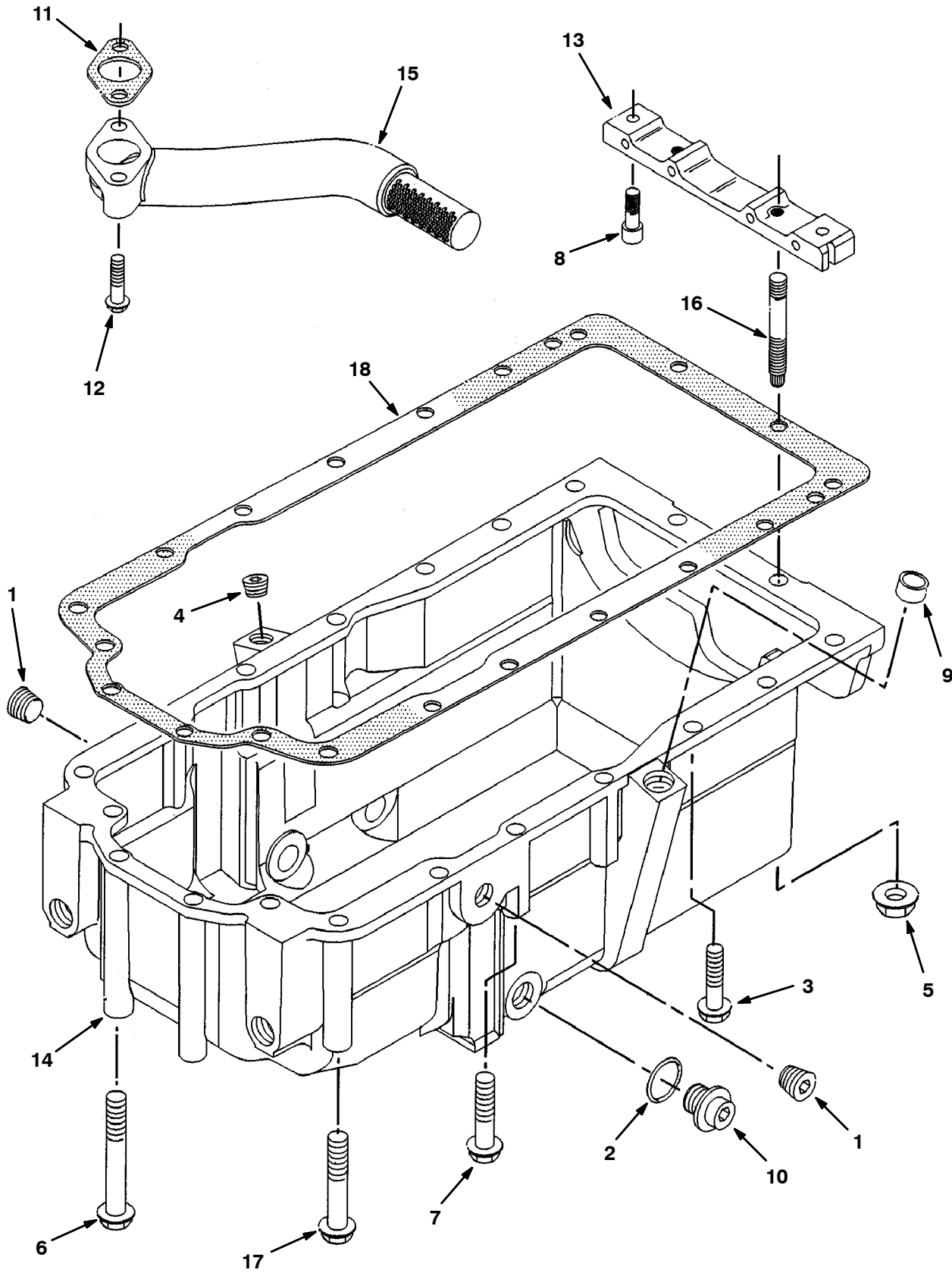




Fig. 11 - Oil Pan Group

Ref.	Part No.	Description	Qty.
1	372149	Plug, Pipe	2
2	9005314	Seal [Cat 08]	2
3	372127	Bolt, M8 X 1.25 X 20mm	8
4	372151	Plug	1
5	372152	Nut, M8 X 1.25	2
6	372153	Bolt	2
7	372154	Bolt, M8 X 1.25 X 80mm	4
8	372155	Bolt, M6 X 1.00 X 20mm	2
9	372156	Seal	1
10	372157	Plug, Drain, Sump	2
11	372158	Gasket	1
12	372095	Bolt, M8 X 1.25 X 35mm	2
13	372165	Yoke	1
14	372166	Pan, Oil	1
15	372167	Strainer	1
16	372162	Stud	2
17	372163	Bolt	4
18	372164	Gasket	1

Fig. 12 - Exhaust Pipe Group

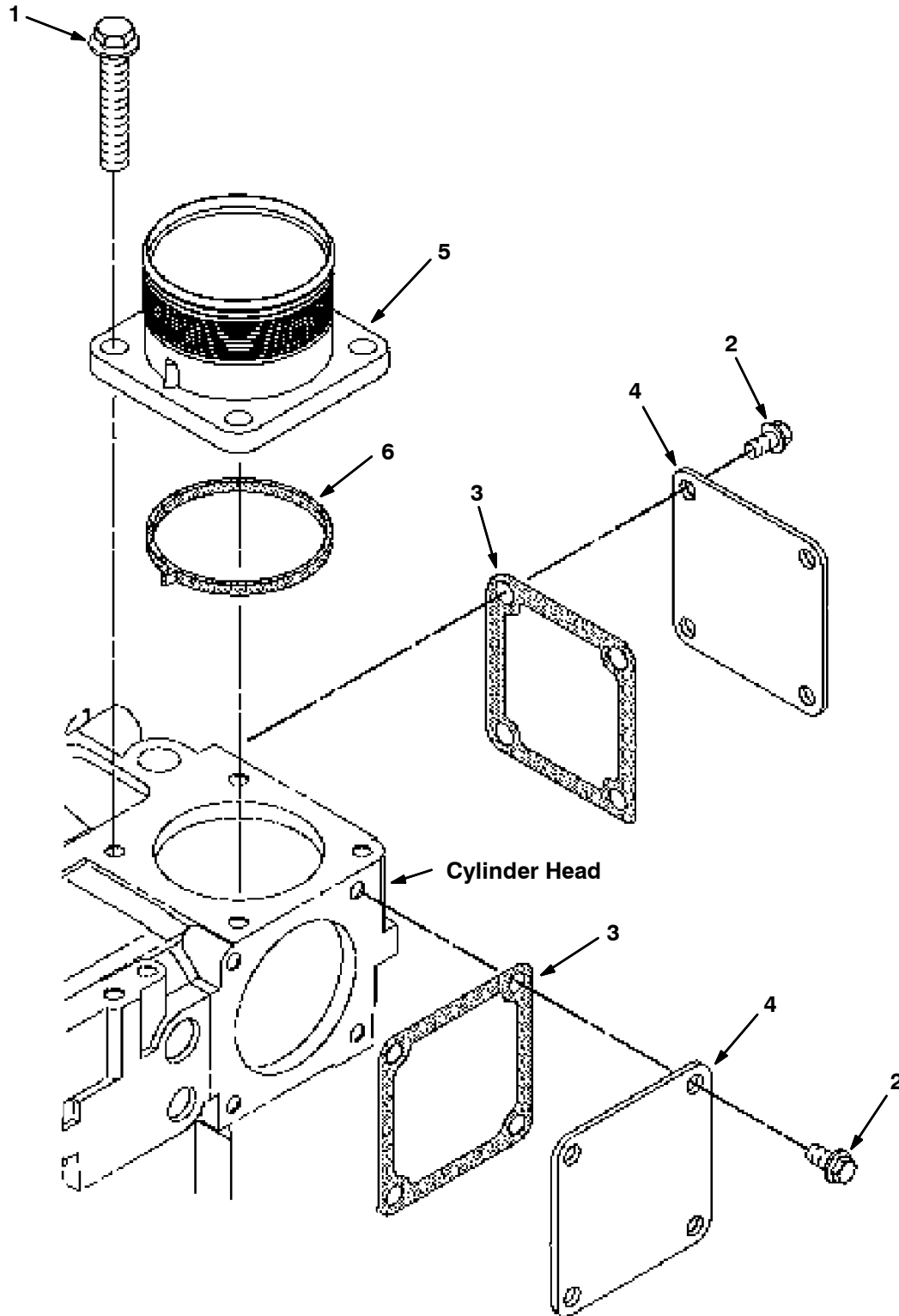


Fig. 12 - Exhaust Pipe Group

Ref.	Part No.	Description	Qty.
1	372091	Bolt, M8 X 1.25 X 25mm	4
2	372102	Bolt	8
3	372169	Gasket	2
4	9005328	Plate [Cat 08]	2
5	9005329	Pipe [Cat 08]	1
6	9005330	Gasket, Inlet [Cat 08]	1

Fig. 13 - Fuel Injection Pump Group

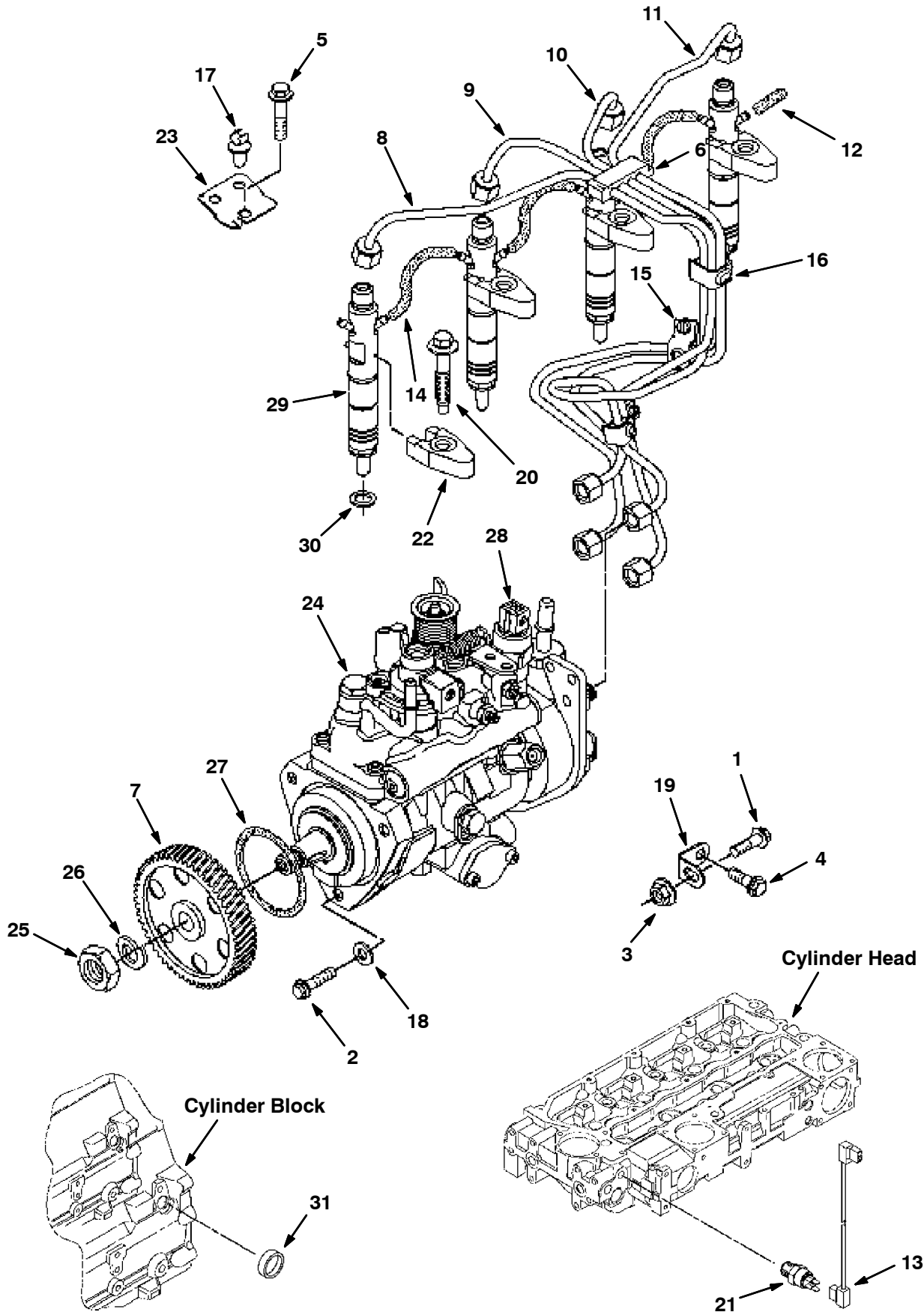


Fig. 13 - Fuel Injection Pump Group

Ref.	Part No.	Description	Qty.	
1	372127	Bolt, M8 X 1.25 X 20mm	1	
2	372087	Bolt, M8 X 1.25 X 25mm	3	
3	372152	Nut, M8 X 1.25	1	
4	372101	Bolt, M10 X 1.5 X 20mm	1	
5	372134	Bolt, M8 X 1.25 X 16mm	1	
6	372179	Clip	1	
7	372272	Gear, Pump, Fuel	1	
8	372273	Fuelline Assy, Cyl 1	1	
9	372274	Fuelline Assy, Cyl 2	1	
10	9005349	Fuelline Assy, Cyl 3	1	
11	372276	Fuelline Assy, Cyl 4	1	
12	372283	Cap	1	
13	372284	Cable	1	
14	372285	Hose	3	
15	372194	Clip	2	
16	372195	Clip	1	
17	372115	Clip	1	
18	372196	Washer	3	
19	372197	Bracket	1	
20	372199	Bolt	4	
21	372182	Switch, Advance, Timing	1	
22	9005350	Clamp, Injector [Cat 08]	4	
23	9005351	Bracket [Cat 08]	1	
▽	24	9005352	Fuel, Pump, Injection [Cat 08]	1
▲	25	372268	Nut	1
▲	26	372269	Washer	1
▲	27	372279	Seal, Org	1
▲	28	1037758	Solenoid, Shutoff, Fuel, Turbo	1
▽	29	9005353	Atomizer [Cat 08]	4
▲	30	372204	Washer	1
	31	372189	Plug, Cup	1
		9005354	Seal, Org [Cat 08] (not shown)	1

Fig. 14 - Water Pump Group

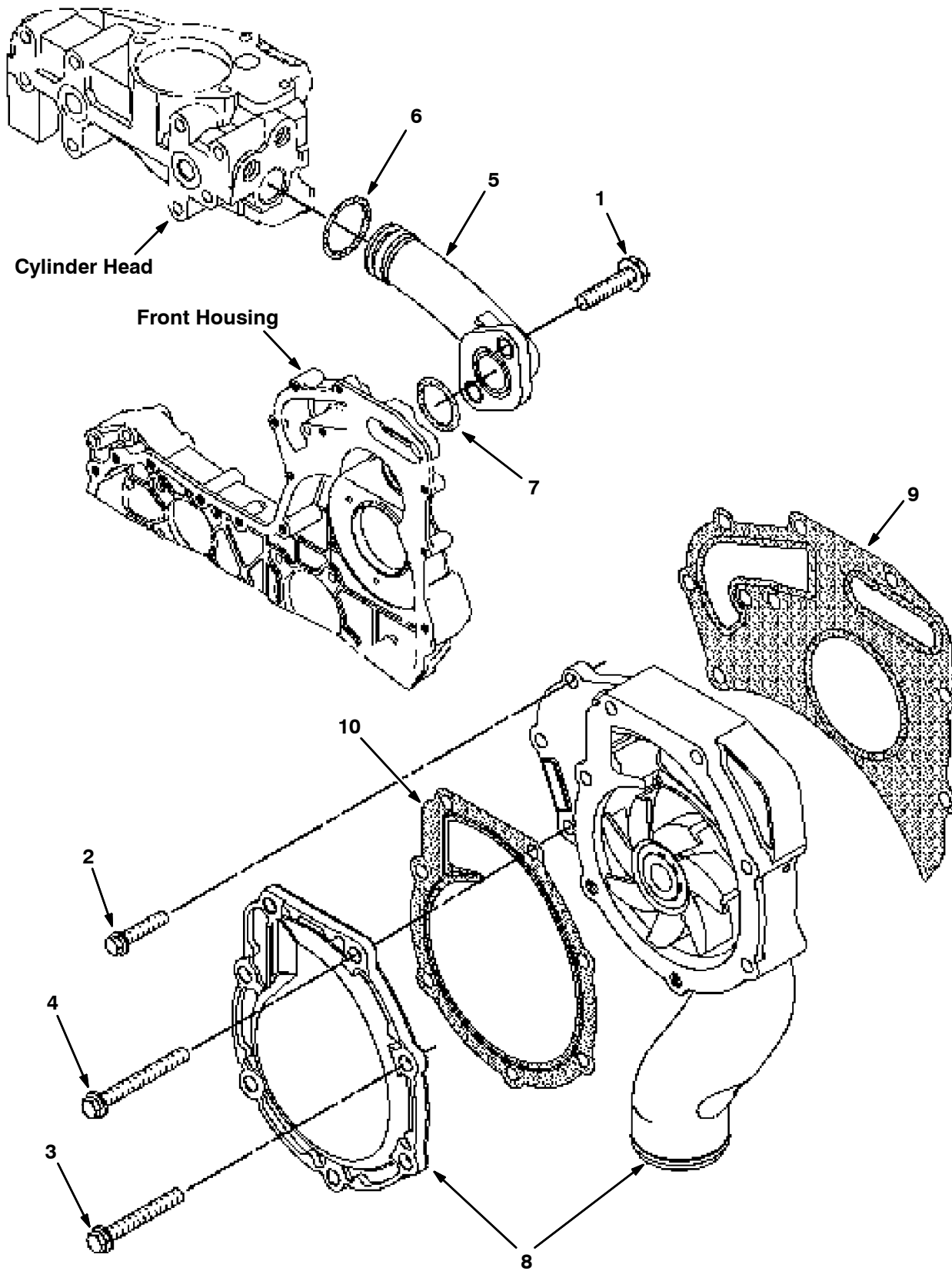
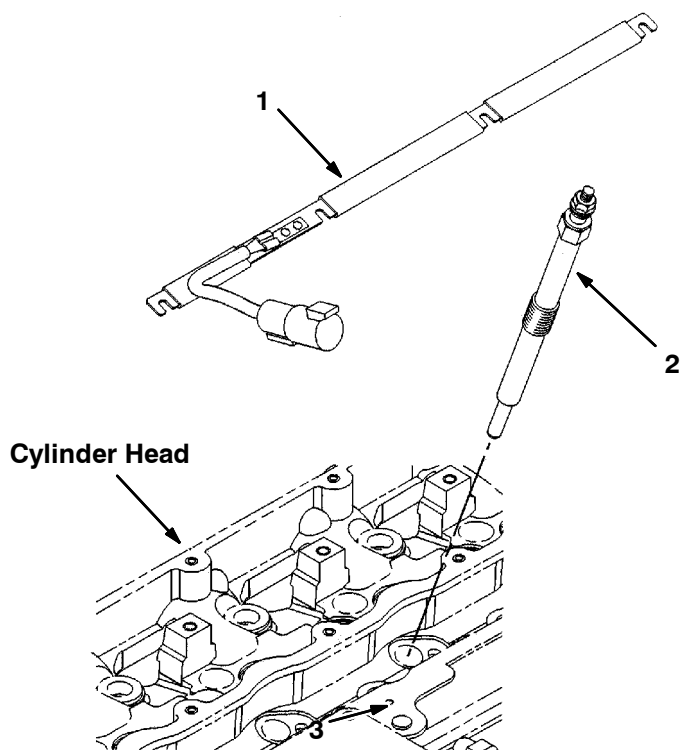


Fig. 14 - Water Pump Group

	Ref.	Part No.	Description	Qty.
	1	372127	Bolt, M8 X 1.25 X 20mm	2
	2	372207	Bolt, M8 X 1.25 X 30mm	2
	3	372133	Bolt, M8 X 1.25 X 65mm	5
	4	372208	Bolt, M8 X 75mm	2
▽	5	372209	Pipe Assy	1
▲	6	372210	Seal, Org	1
▲	7	372211	Seal, Org	1
▽	8	9005317	Pump, Water [Cat 08]	1
▲	9	372213	Gasket	1
▲	10	9005318	Gasket, Cover [Cat 08]	1

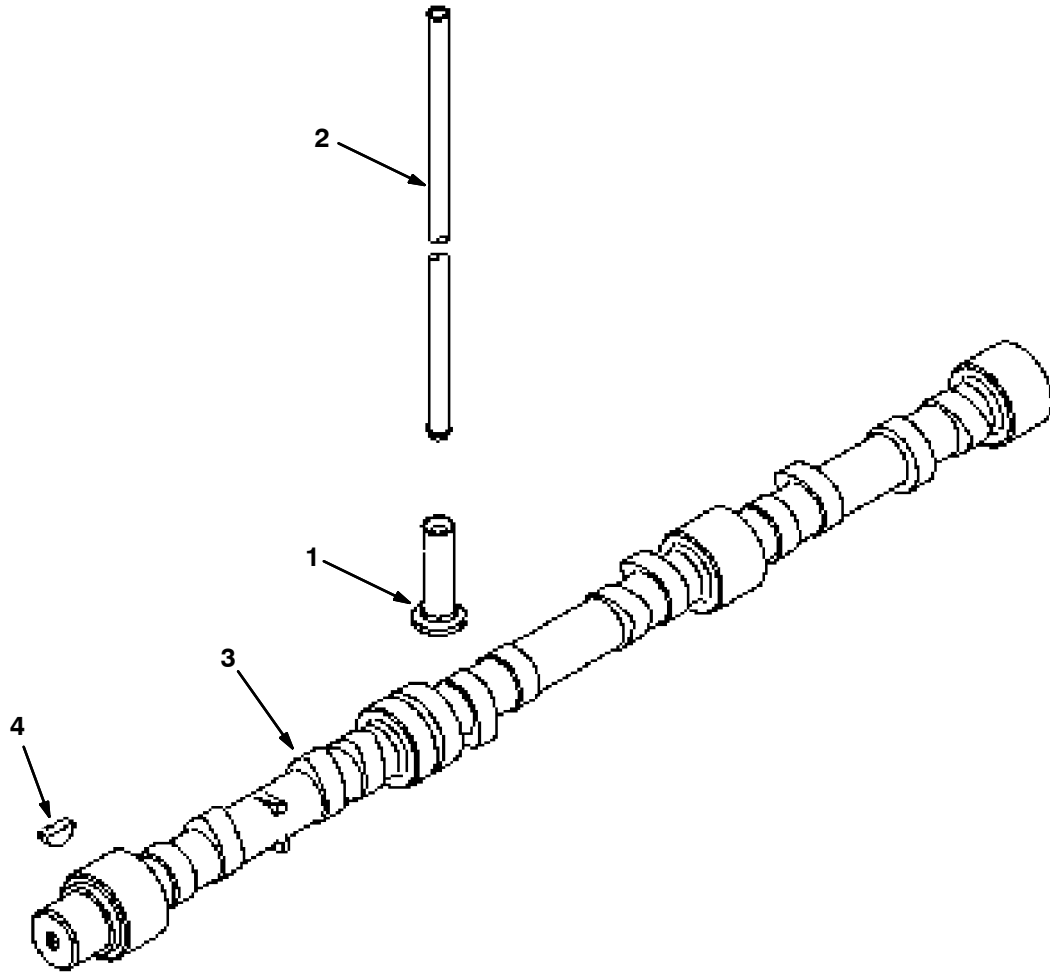
**Fig. 15 - Glow Plug Group**



Ref.	Part No.	Description	Qty.
1	9005319	Bar [Cat 08]	1
2	372123	Plug, Glow	4



Fig. 16 - Camshaft Group



Ref.	Part No.	Description	Qty.
1	9005346	Tappet [Cat 08]	1
2	9005347	Rod, Push [Cat 08]	1
▽ 3	9005348	Camshaft Assy [Cat 08]	1
▲ 4	372124	Key, Woodruff	1

Fig. 17 - Crankshaft Group

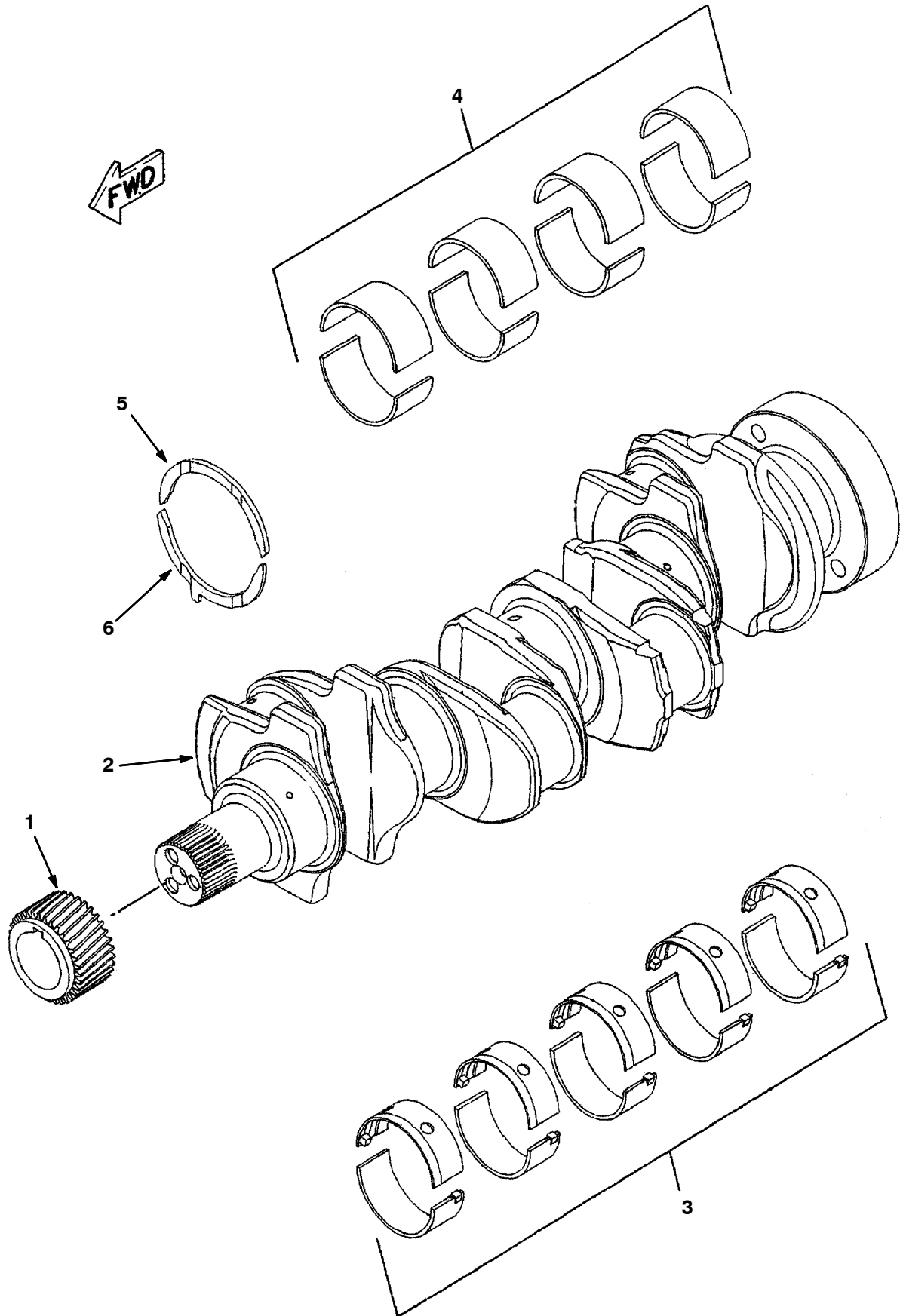


Fig. 17 - Crankshaft Group

	Ref.	Part No.	Description	Qty.
	1	372334	Gear, Cshaft, 34tooth	1
▽	2	372402	Kit, Cshft	1
▲	3	372336	Kit, Brg, Main	1
▲	3	372337	Kit, Brg, Cshft, .25mm	1
▲	3	372338	Kit, Brg, Cshft, .50mm	1
▲	3	372339	Kit, Brg, Cshft, .76mm	1
▲	4	372340	Kit, Brg, Rod, Std	1
▲	4	372341	Kit, Brg, Rod, .25mm	1
▲	4	372342	Kit, Brg, Rod, .50mm	1
▲	4	372343	Kit, Brg, Rod, .76mm	1
▲	5	372344	Washer, Thrust, Upper, Std	2
▲	5	372345	Washer, Thrust, .18mm [Oversized]	2
▲	6	372346	Washer, Thrust, Lower, Std	2
▲	6	372347	Washer, Thrust, .18mm [Oversized]	2

Fig. 18 - Cylinder Block Group

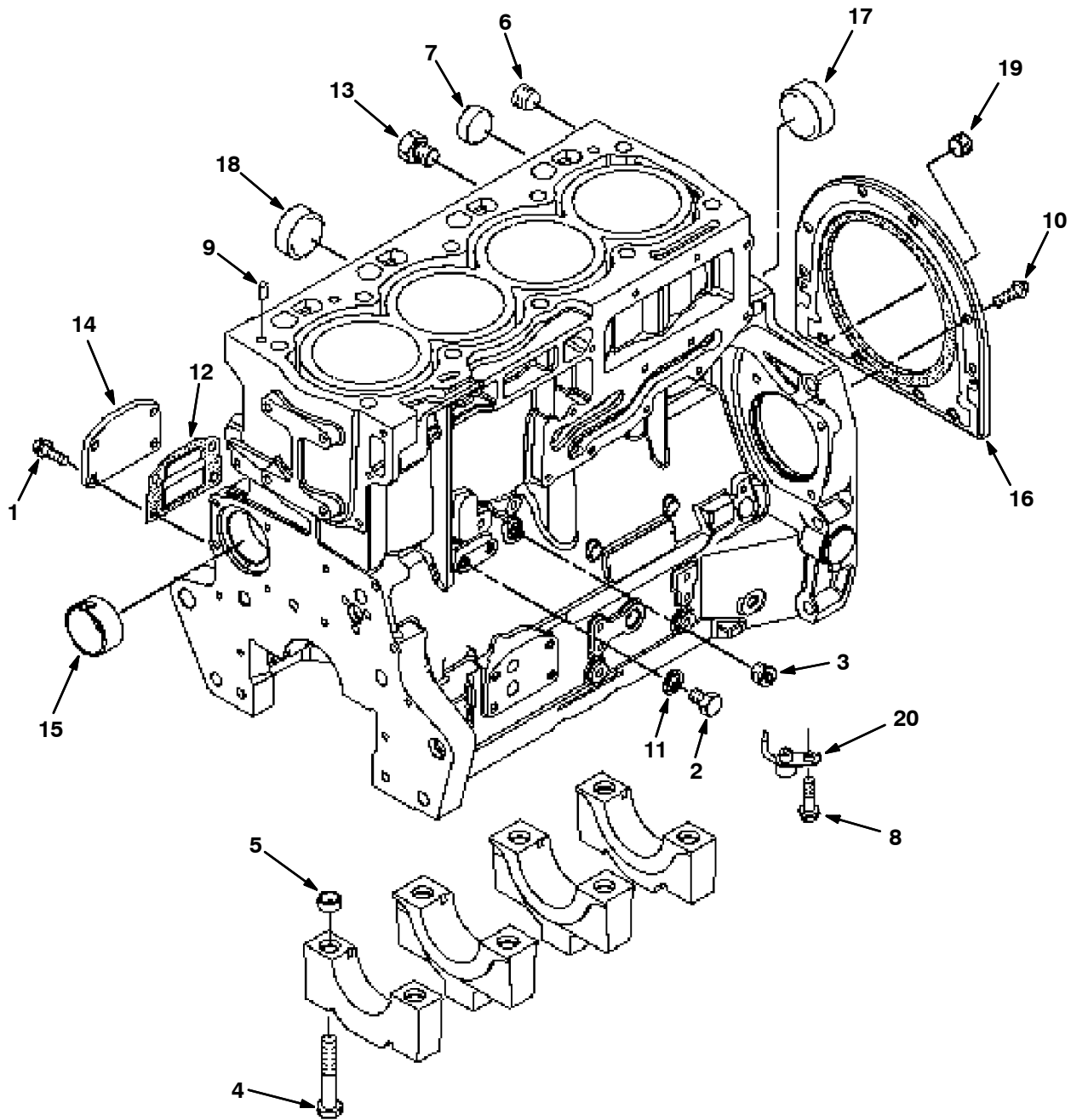


Fig. 18 - Cylinder Block Group

Ref.	Part No.	Description	Qty.
1	372168	Bolt, M8 X 1.25 X 20mm	4
2	9005331	Bolt [Cat 08]	1
3	9005332	Plug [Cat 08]	1
4	372348	Bolt	10
5	372349	Pin, Dowel	10
6	372350	Plug	1
7	372351	Plug, Side	1
8	372352	Screw, M6 X 1.00 X 10mm	4
9	372353	Pin, Dowel	2
10	372363	Screw, M8 X 1.25 X 16mm	10
11	9005333	Washer, Seal [Cat 08]	1
12	9005334	Gasket [Cat 08]	1
13	372354	Plug	2
14	372355	Plate	1
15	372356	Bearing	1
16	372364	Housing Assy	1
17	372358	Plug	1
18	372359	Plug	2
19	372360	Plug	1
20	9005335	Piston, Cooling, Jet [Cat 08]	4

Fig. 19 - Piston and Rod Group

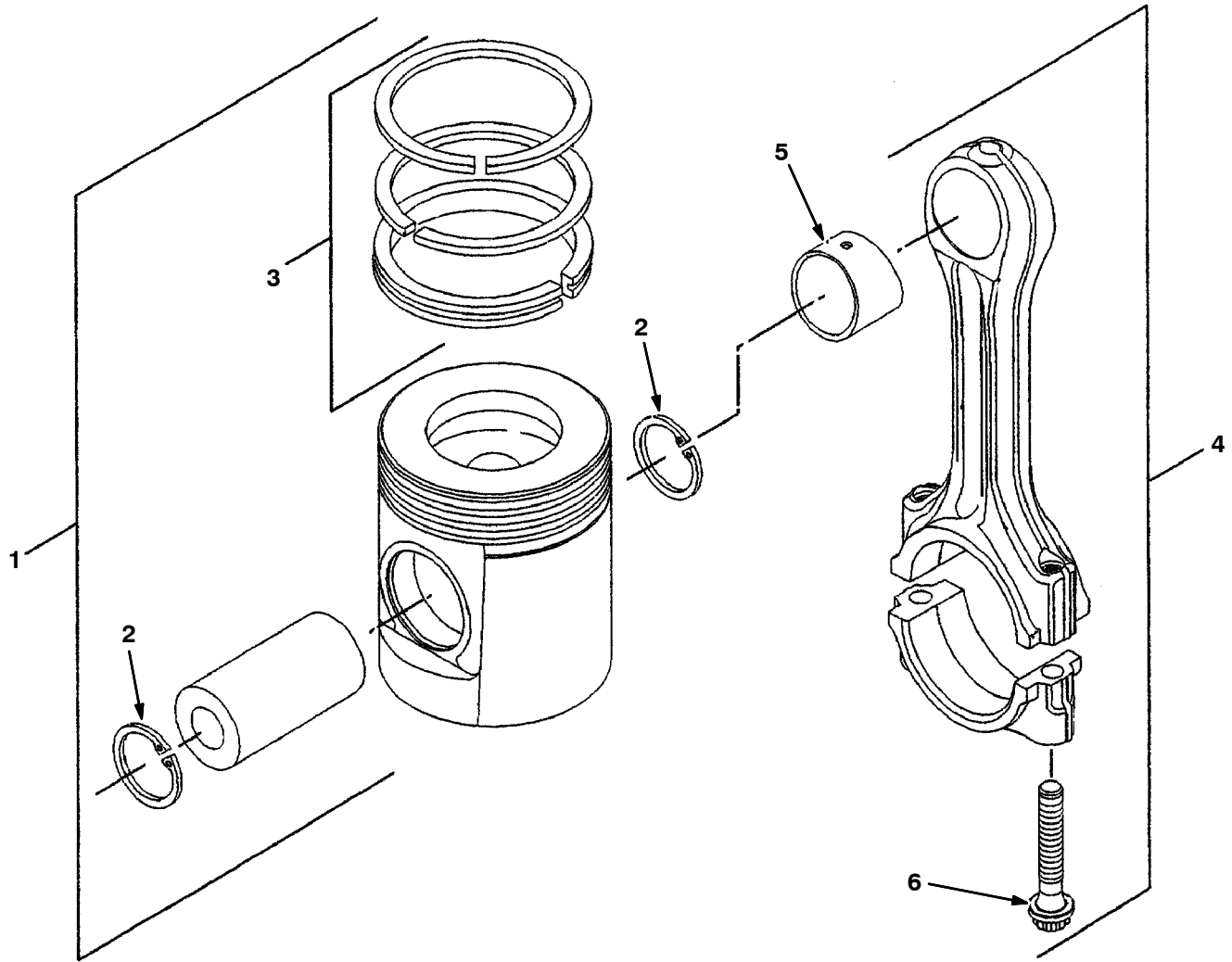


Fig. 19 - Piston and Rod Group

	<b>Ref.</b>	<b>Part No.</b>	<b>Description</b>	<b>Qty.</b>
▽	1	9005341	Piston Assy [Cat 08]	4
▲	2	372382	Ring, Retaining	2
▲	3	9005342	Ring, Piston Kit [Cat 08]	1
▽	4	372384	Rod Assy	4
▲	5	372385	Bushing	1
▲	6	372386	Bolt	2

Fig. 20 - Turbocharger Group

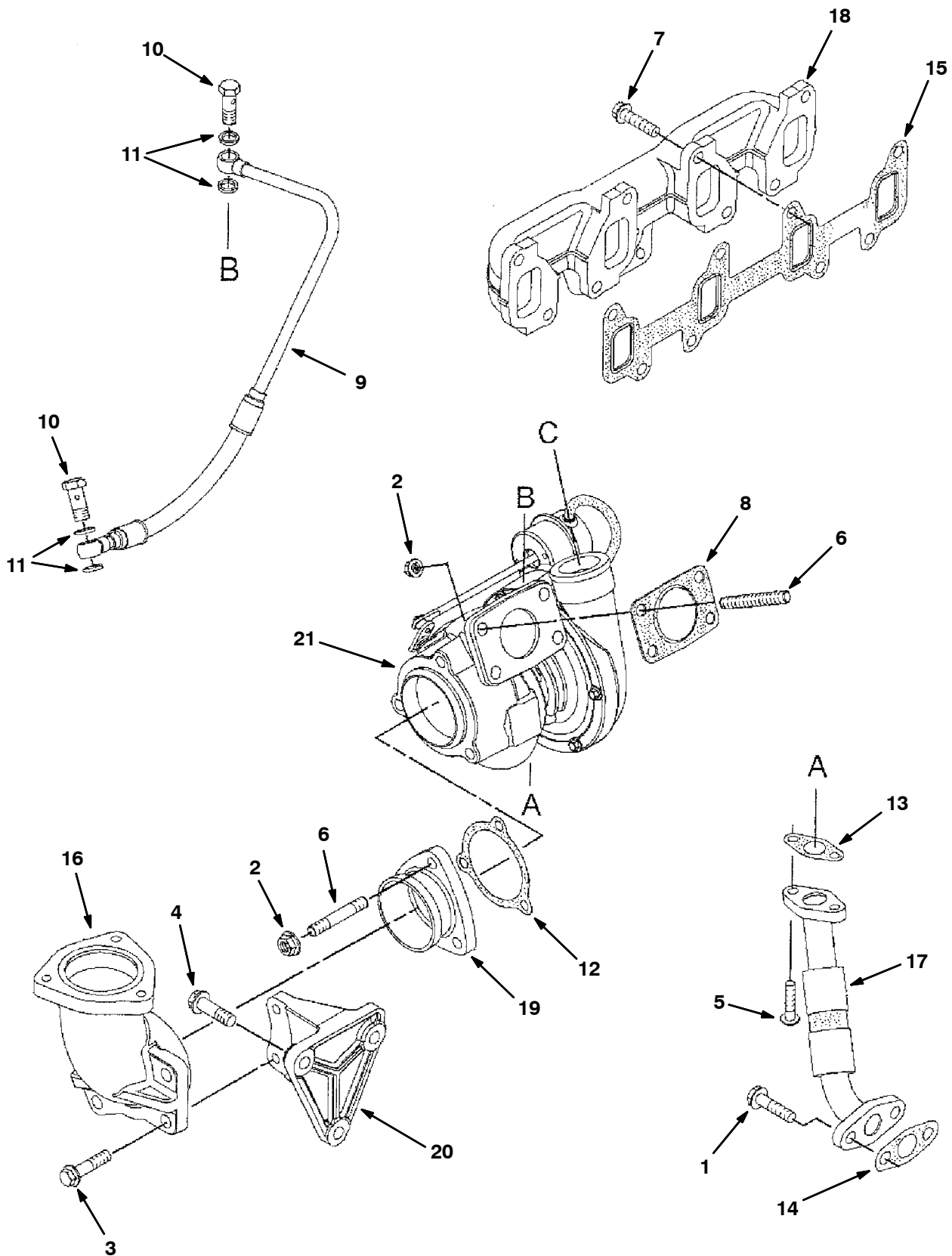
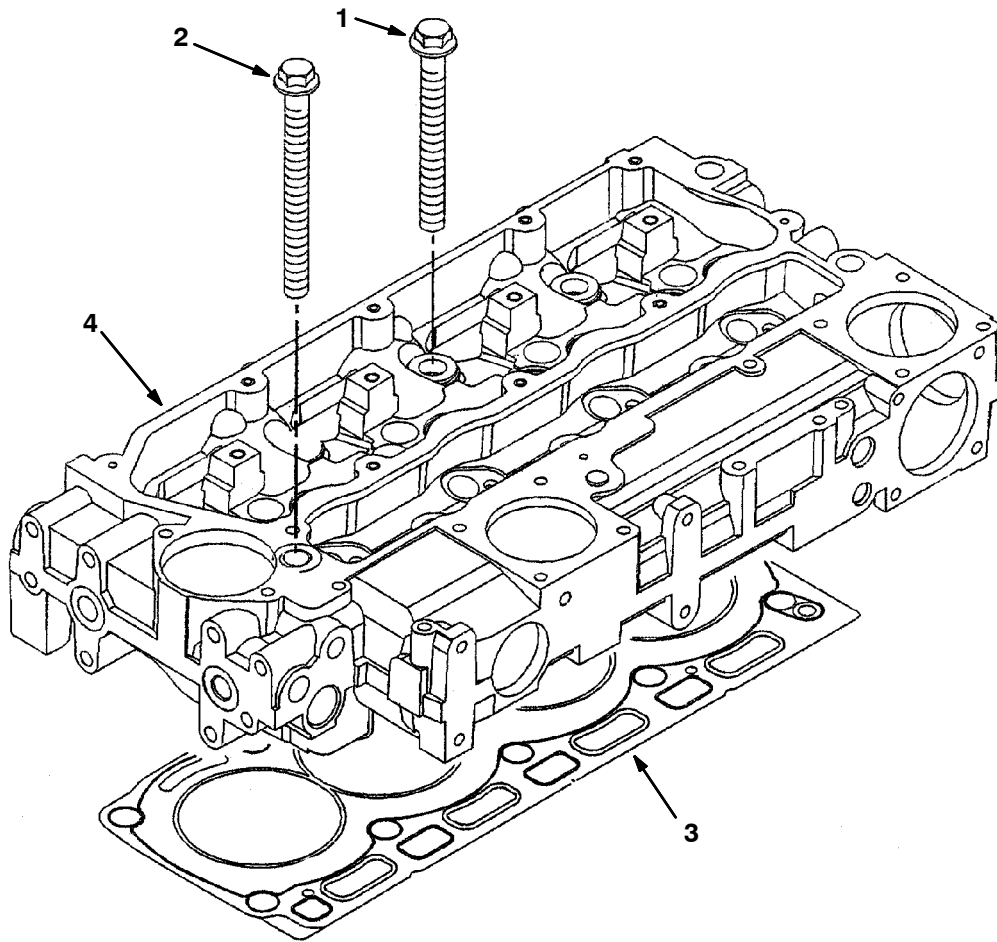




Fig. 20 - Turbocharger Group

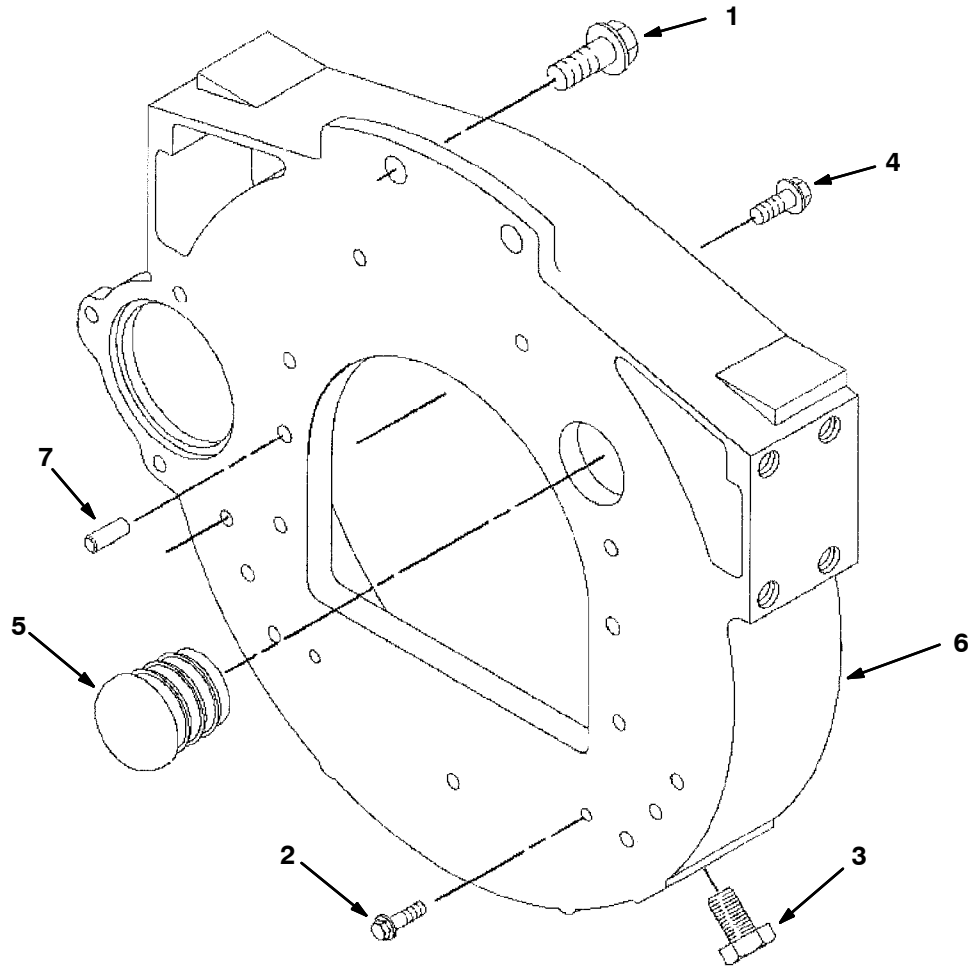
Ref.	Part No.	Description	Qty.	
1	372127	Bolt, M8 X 1.25 X 20mm	2	
2	372423	Nut, M10	7	
3	9005402	Bolt [Cat 08]	2	
4	9005403	Bolt [Cat 08]	3	
5	9005404	Bolt [Cat 08]	2	
6	372426	Stud	7	
7	372146	Bolt	8	
8	372427	Gasket, Manifold	1	
▽	9	372428	Tube Assy	1
▲	10	372429	Bolt	1
▲	11	372430	Washer	1
	12	9005409	Vr, Gasket, Elbow [Cat 08]	1
	13	372432	Gasket	1
	14	372433	Gasket	1
	15	372147	Gasket	1
	16	9005413	Vr, Elbow, Exhaust [Cat 08]	1
	17	372437	Tube Assy	1
	18	9005415	Manifold, Exhaust [Cat 08]	1
	19	9005416	Adapter, Exhaust [Cat 08]	1
	20	9005417	Bracket [Cat 08]	1
	21	9005418	Turbocharger [Cat 08]	1

Fig. 21 - Cylinder Head Group



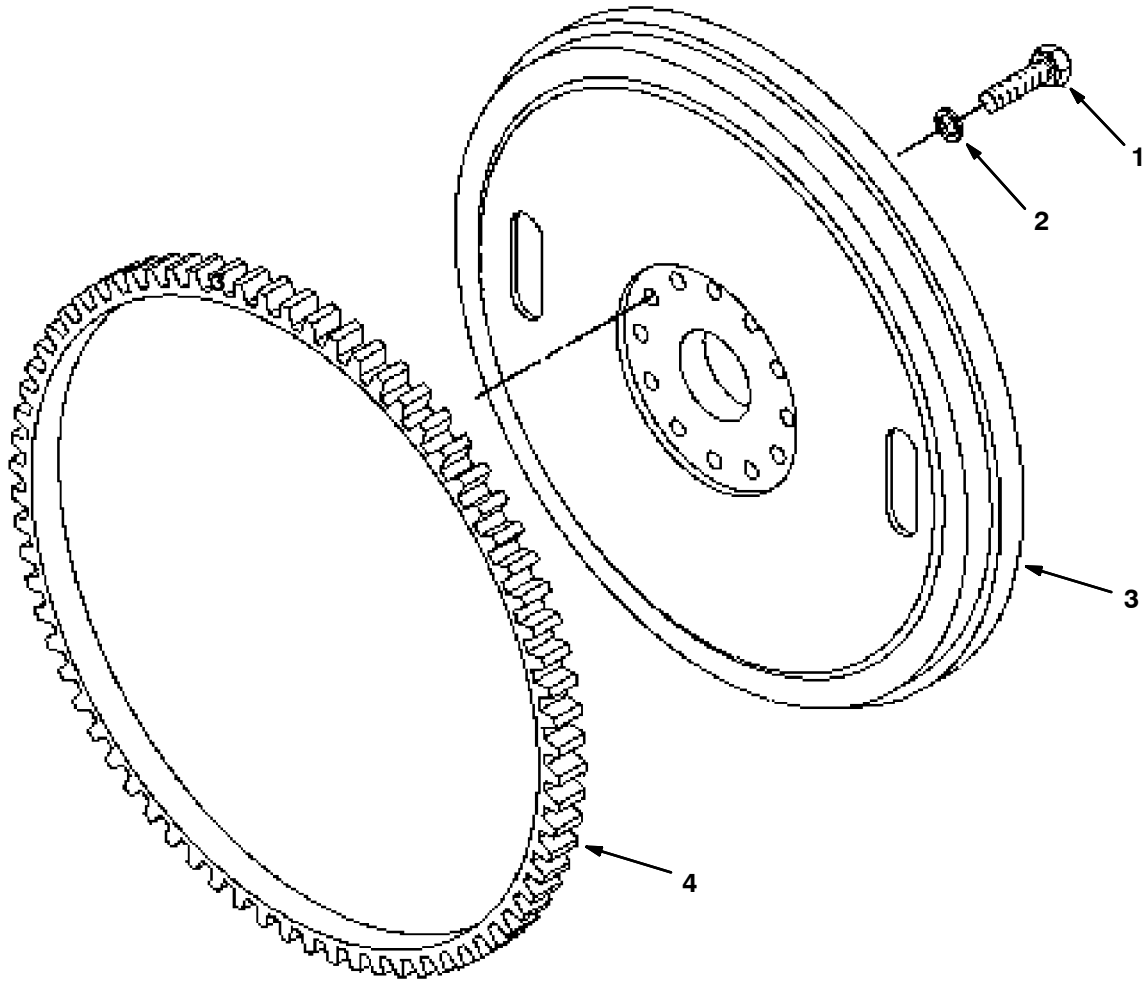
Ref.	Part No.	Description	Qty.
1	372378	Bolt	1
2	372379	Bolt	7
3	9005343	Gasket, Head, Cyl [Cat 08]	1
4	9005344	Head, Cylinder [Cat 08]	1

Fig. 22 - Flywheel Housing Group



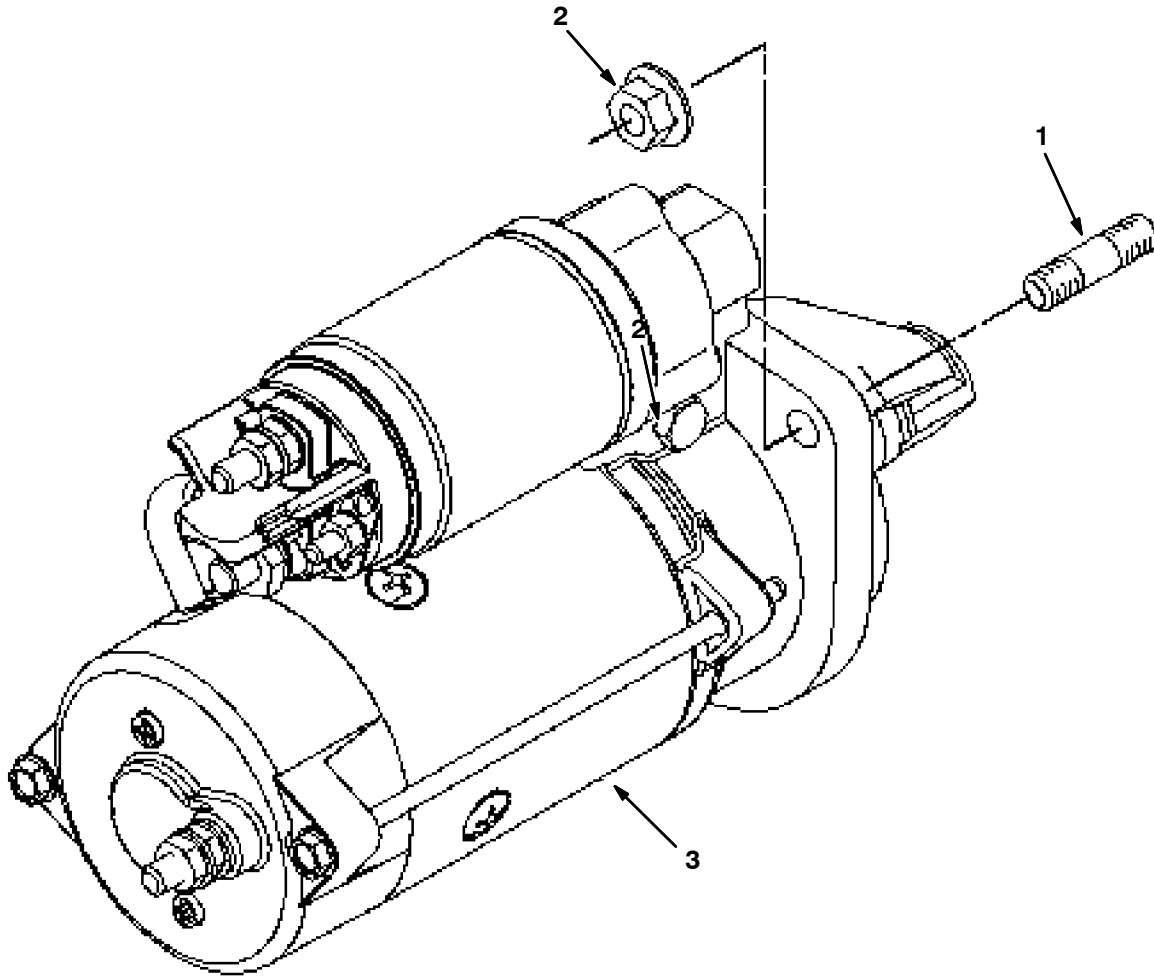
Ref.	Part No.	Description	Qty.
1	9005382	Bolt [Cat 08]	2
2	9005383	Bolt [Cat 08]	3
3	9005384	Plug [Cat 08]	1
4	9005385	Bolt [Cat 08]	6
5	9005386	Plug [Cat 08]	1
6	9005387	Housing, Flywheel [Cat 08]	1
7	9005388	Pin, Dowel [Cat 08]	1

Fig. 23 - Flywheel Group



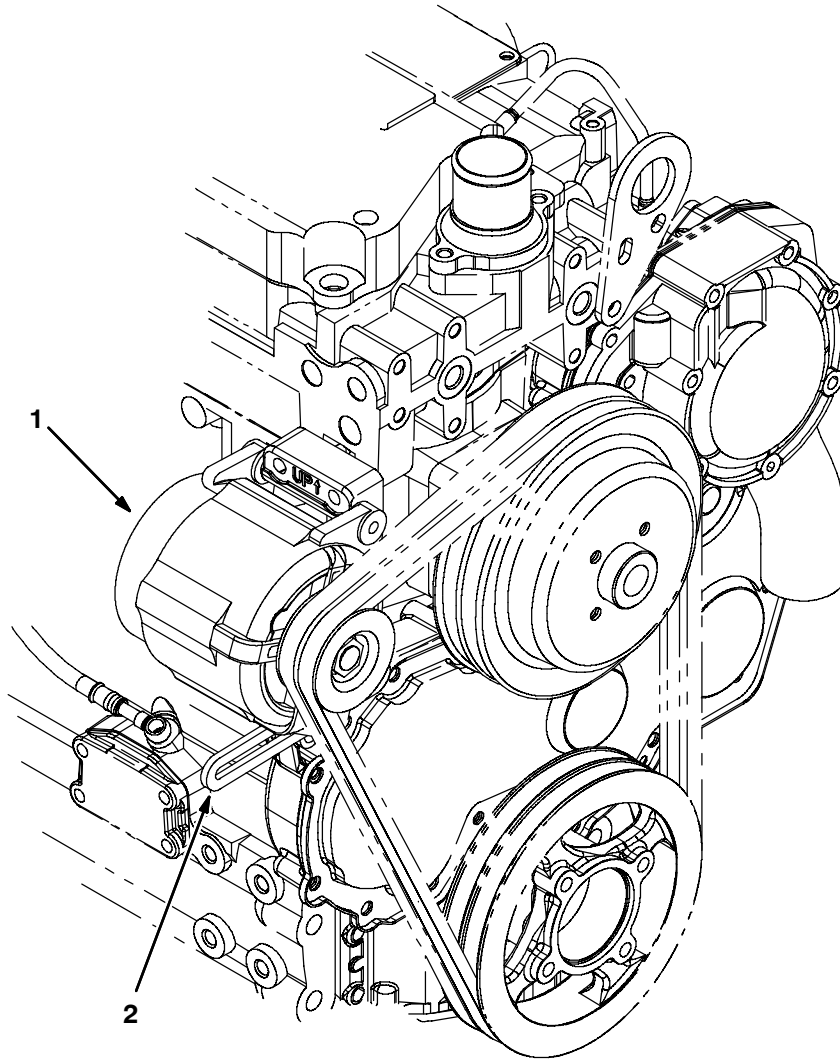
Ref.	Part No.	Description	Qty.
1	9005422	Bolt [Cat 08]	10
2	9005423	Washer, Hard [Cat 08]	10
▽	3	Flywheel Assy [Cat 08]	1
▲	4	Ring, Motor [126t, Cat 08]	1

Fig. 24 - Starter Group



Ref.	Part No.	Description	Qty.
1	9005373	Stud [Cat 08]	3
2	9005374	Nut [Cat 08]	3
3	9005375	Starter [Cat 08]	1

**Fig. 25 - Alternator Group**



Ref.	Part No.	Description	Qty.
1	9005397	Alternator	1
2	9005399	Lever [Cat 08]	1
	9005398	Bracket, Alternator [Cat 08] (not shown)	1

# SECTION 8

CONTENTS	PAGE
PART NUMBER TO PAGE NUMBER CROSS REFERENCE LIST .....	8-2
PART DESCRIPTION TO PAGE NUMBER CROSS REFERENCE LIST .....	8-15

# CROSS REFERENCE

## PART NUMBER TO PAGE NUMBER CROSS REFERENCE LIST

Part Number	Page Number	Part Number	Page Number	Part Number	Page Number
00500-15	4-8	08179	3-37	1006006	2-67
01493	2-99	08180	3-9	1006010	2-59
01684	2-9, 2-11, 3-13	08185	3-17	1006013	2-59
01685	3-17	08202	3-21	1006031	2-59, 2-63
01686	3-21	08280	4-11, 4-21	1006065	2-15
02506-6	3-52	08708	2-7, 2-11, 2-33, 2-35, 2-37, 2-57, 2-97, 2-135, 2-143, 2-145, 3-17, 3-19, 3-45, 3-47, 3-63, 3-65, 3-67, 3-71	1006103	2-57
02850	2-99, 2-107, 3-47			1006108	2-2, 2-57
02942	3-3			1006142	2-143
03192	2-45, 2-131, 2-143, 3-13, 3-37			1006148	3-13
03292B	3-47, 3-50			1006175	2-2, 2-57
05881	2-41	08709	2-9, 2-11, 2-37, 2-39, 2-41, 2-49, 2-51, 2-53, 2-57, 2-63, 2-69, 2-73, 2-89, 2-99, 3-3, 3-5, 3-17, 3-47, 3-69, 4-11, 4-21	1006224	2-143
06415	2-11			1006225	2-2, 2-57
06416	2-111			1006391	2-59, 2-63
06418	2-13, 2-15			1006519	2-69, 2-73
06549	3-37, 3-47			1006521	2-17
06928	2-99, 3-47			1006554	2-57
06935	3-37, 3-47			1006556	2-69, 2-73
06942	2-97, 3-47, 3-71	08711	2-23, 2-27, 2-57, 2-59, 2-63, 2-67, 2-69, 2-73, 2-141, 3-9, 3-15, 3-17, 3-21, 3-37, 3-75	1006590	3-19
06943	2-9, 2-11, 2-57, 2-145, 3-19, 3-45, 3-47			1006606	3-19
06944	2-33, 2-35, 2-37, 2-145, 3-65, 3-67	08712	2-9, 2-11	1006612	3-19
06948	2-135, 2-143	08713	3-21	1006617	2-57
06949	3-17	08714	3-17	1006624	2-24, 2-28
06955	3-17	08716	2-9, 2-11	1006629	2-69, 2-73
06960	3-13, 4-21	09010	3-17, 3-21, 3-45	1006648	2-69, 2-73
06961	2-21, 2-41, 2-135, 3-3, 3-15, 3-19	09029	3-13	1006669	3-19
06963	2-27, 2-51, 2-53, 3-13, 3-37	09145	2-91	1006691	2-57
06964	3-19, 3-37	09162	2-69, 2-73	1006801	2-69, 2-73
06968	2-23, 2-27, 2-57, 2-59, 2-67, 2-69, 2-70, 2-73, 2-74, 3-37	09278	3-13	1006828	2-69, 2-73
06969	2-63, 2-69, 2-73, 3-13, 3-37, 3-75, 4-11, 4-21	09294	3-3, 3-5	1006842	2-69, 2-73
06970	2-60	09718	2-11	1006843	2-69, 2-73
06971	2-111, 3-9, 3-15, 3-21	09741	3-9, 3-13	1006852	2-63
06972	2-59, 2-63	09744	3-13	1006888	2-69, 2-73
06973	3-77	09901	2-200	1006894	3-17
06974	2-23, 2-27, 3-13	09905	2-200	1006939	3-13
06975	2-21, 3-13	1002939	2-59	1007049	2-69, 2-73
06976	2-141	1005171	2-59, 2-63	1007053	3-17
06981	2-59, 2-63, 2-69, 2-73	1005173	2-2, 2-63	1007081	2-43
06986	3-21	1005175	2-2, 2-60, 2-63	1007105	2-67, 2-69, 2-73
06992	3-3	1005242	2-59, 2-63	1007123	3-19
07782	2-64, 2-69, 2-73, 3-19	1005248	2-59, 2-63	1007150	3-37
07783	2-5, 2-7	1005309	2-59	1007217	2-49, 2-53
07791	2-143, 3-19	1005312	2-59, 2-63	1007233	2-49
08166	2-63, 3-43	1005678	2-63	1007315	2-63
08167	2-111, 3-9, 3-77	1005718	2-63	1007327	3-17, 3-19
		1005719	2-2, 2-63	1007331	2-67
		1005722	2-63	1007462	2-23, 2-27
		1005753	3-15	1007496	3-17
		1005819	2-67	1007497	2-37
		1005888	2-59	1007616	2-69, 2-73
		1005923	2-67	1007630	2-37
		1005925	2-67	1007637	2-49
		1005936	2-59, 2-63	1007670	2-51, 2-53
		1005954	2-67	1007707	2-33, 2-35
		1005978	3-19	1007738	3-47
				1007742	2-39, 2-41
				1007761	2-39
				1007764	2-69, 2-73
				1007770	2-43



# CROSS REFERENCE

Part Number	Page Number	Part Number	Page Number	Part Number	Page Number
1007776	2-39, 2-41	1008787	2-23	1010326	2-200
1007779	2-23, 2-27	1008806	2-39, 2-41	1010364	2-51
1007814	2-33	1008809	2-39, 2-41	1010399	3-13
1007833	2-45, 2-47	1008816	2-39, 2-41	1010413	3-47
1007854	3-19	1008823	2-5, 2-7	1010423	2-67
1007880	3-19	1008853	3-13	1010495	2-5, 2-7
1007881	2-127	1008883	3-13	1010697	3-13
1007882	2-125, 3-25	1008982	3-13	1010759	3-13
1007884	2-123	1008985	3-13	1010833	2-23, 2-27
1007885	2-123	1009012	2-5, 2-7	1010859	2-133
1007887	2-125	1009095	3-23	1010941	3-11
1007890	2-123	1009099	3-37	1010942	2-123
1007891	2-121	1009154	2-200, 3-37	1010943	2-123
1007893	2-121	1009169	2-2	1010944	2-123
1007895	2-123, 2-127	1009170	2-2	1010961	2-23, 2-27
1007896	2-125	1009191	2-77	1010962	2-23, 2-27
1007898	2-123	1009199	2-79	1010963	2-23, 2-27
1007901	2-125	1009201	3-13	1011122	2-23, 2-27
1007908	2-131	1009224	2-85	1011123	3-37
1007930	2-51	1009226	3-37	1011125	3-25
1007936	2-51	1009227	3-37	1011181	2-30
1007953	2-133	1009229	2-135	1011183	2-23
1007954	2-111, 3-9	1009237	2-77	1011194	2-2, 2-23, 2-27
1007955	2-17	1009243	2-77	1011195	2-23, 2-27
1007959	2-67	1009254	2-77	1011254	3-19
1007978	2-133	1009266	2-11	1011403	3-23
1007983	2-49	1009306	2-9	1011429	2-5, 2-7
1008018	2-45	1009314	2-107	1011527	3-13
1008020	2-59, 2-63	1009327	2-77	1011587	2-51
1008021	2-59, 2-63	1009349	2-5, 2-7	1011730	2-24
1008022	2-59, 2-63	1009367	2-77	1011835	3-23
1008028	2-45	1009386	2-9, 2-11	1011918	2-24
1008101	2-45	1009396	2-59, 2-63	1011922	2-24
1008130	2-39, 2-41	1009443	3-17, 3-19	1011945	2-24
1008149	2-143	1009447	2-69, 2-73	1011992	2-33, 2-35
1008156	3-17	1009503	2-39, 2-41	1012145	3-39
1008200	2-135	1009526	2-37, 2-39, 2-41	1012158	3-39
1008235	3-17	1009537	3-19	1012159	2-33, 2-35
1008236	3-15	1009571	3-13	1012160	2-33, 2-35
1008248	2-15	1009614	2-69	1012161	2-33, 2-35
1008254	3-17	1009651	2-73	1012316	2-33
1008261	2-131	1009653	2-70, 2-74	1012546	2-23
1008264	3-17	1009676	3-37	1012561	3-17
1008297	2-99, 3-29	1009680	2-5, 2-7	1013169	3-17
1008302	2-39, 2-41	1009694	2-5, 2-7	1013272	3-19
1008303	2-39	1009751	2-99	1013447	3-19
1008308	2-39, 2-41	1009784	3-13	1013454	3-47
1008317	2-39, 2-41	1009821	2-87	1013494	3-17
1008326	3-43	1009908	2-51	1013513	3-19
1008375	2-5	1009951	2-67	1013847	3-17
1008543	2-51	1010020	3-23	1014044	3-47
1008571	3-37	1010146	2-51	1014045	3-47
1008586	2-99	1010153	2-21	1014717	3-17
1008607	2-69, 2-73	1010217	3-17	1015444	2-60, 2-63
1008644	2-69, 2-73	1010219	3-17	1015478	2-15
1008689	3-17	1010249	3-17	1015530	2-77
1008710	2-135	1010266	3-17	1016370	2-93, 2-95
1008733	2-51	1010272	3-17	1016719	2-60, 2-63
1008784	2-39, 2-41	1010306	3-17	1016732	2-60, 2-63
1008786	2-23	1010320	3-23	1016827	2-33

# CROSS REFERENCE

Part Number	Page Number	Part Number	Page Number	Part Number	Page Number
1017282	2-3	1039495	3-71	16931	2-9, 2-11, 2-23,
1017496	2-59, 2-63	1040660	2-27		2-37, 2-43, 2-51,
1017826	2-33	1040830	2-67, 2-69, 2-73		2-57, 2-59, 2-64,
1017948	2-5, 2-7	1041780	2-79		2-67, 2-89, 2-91,
1018900	2-37	1041886	3-78		2-99, 2-135, 2-139,
1018901	2-37	1042226	2-77		2-143, 3-19, 3-47,
1018902	2-37	1042485	2-15		3-69
1018903	2-39, 2-41	1043567	2-28	17188	2-49
1018904	2-39, 2-41	1043568	2-28	17200	2-200
1018905	2-39, 2-41	1043659	2-5, 2-7	17400-18	2-37, 2-39, 2-41
1018906	2-39, 2-41	1043982	2-30	17414	2-23, 2-27
1019488	2-67	1043984	2-30	17521	2-143, 3-33
1019759	3-5	1045950	2-41	18141	2-59
1019760	3-5	1045977	2-47	19065	2-77, 2-99, 3-47
1021410	4-19	1045982	2-41	19066	2-97, 3-37, 3-45,
1021424	2-5, 2-7	1045986	2-53		3-65, 3-67, 3-71
1021902	3-65, 3-67	1046088	2-7	19312	2-37
1023437	4-17	1046317	2-41	19895	2-9
1023442	4-17	1046323	2-7	21195	2-13, 2-15
1023833	2-67	1046434	2-143	21906	4-29
1023835	2-67	1046447	2-31	21916	4-27, 4-29, 4-31,
1024020	3-23	1046895	2-27		4-35, 4-37, 4-39
1025192	2-2, 2-59, 2-63	1046936	2-31	21920	4-35
1026950	2-21	1046979	2-31	222158	2-21
1026997	2-21	1047097	2-27	222159	2-21
1027904	4-5	1047100	2-27	222290	2-99, 3-43
1028021	2-89	1047133	2-35	222516	2-69, 2-73
1028063	3-37	1047567	2-199	22297	2-24, 2-33, 2-35,
1028112	2-89, 3-69	1047569	2-200		2-39, 2-41, 2-143
1028186	2-89, 3-69	1047590	2-31	22680	4-27
1028188	2-89	1047685	2-47	22681	4-35
1028491	3-21	1048150	2-53	22685	4-27
1028504	2-21	1048156	2-53	22687	4-27
1028505	2-111	1048297	2-31	22688	4-27
1029852	2-81	1049834	2-17	22689	4-27, 4-39
1030628	2-51	10632-11	3-59, 3-71	22690	4-27
1031501	2-24	10632-14	2-37, 2-39, 2-41	22692	4-31
1031502	2-24	10632-2	2-99, 3-65, 3-67	22699	4-31
1031615	2-51	10632	2-99	23498	2-51, 2-53
1031670	2-19, 2-111, 3-9,	10917	3-71	24976	2-49, 2-51, 2-53
	3-21	10962	2-99	25015	3-19
1031672	3-15	11399	2-143	25046	3-15
1031676	2-133	11516	2-59, 2-63, 2-67	25312	3-54
1031679	3-15	11848	2-59, 2-63	25831	3-71
1032822	2-37, 2-39, 2-41	12138	2-141	26239	2-21
1033993	3-47	12271	2-99, 2-135, 2-145	26565	2-109
1034397	2-109	12317	3-21	26927	2-59, 2-63
1034499	2-59	12459	2-5, 2-7, 2-141,	27928	2-107
1035699	2-81		3-61, 3-63, 3-71	27964	2-107
1035701	2-81	13902	4-27, 4-35, 4-39	27990	2-13, 2-15
1035958	3-74	13904	4-5, 4-27, 4-35,	28270	2-59, 2-63
1036050	2-85		4-39	28835	4-8
1036052	2-85	13907	4-5, 4-27	310580	2-55
1036697	2-30	14432	2-33, 2-35, 2-37	310667	2-39, 2-41
1037643	2-131	15331	2-60, 2-64, 2-69,	310668	2-51, 2-53
1037757	5-29		2-73, 2-111, 3-9	311331	2-39, 2-41
1037758	6-27, 7-21	15678	3-17	311437	2-49
1038895	2-133	16695	4-8	311690	2-51, 2-53
1039198	2-133	16735	2-69, 2-73, 3-23	312960	3-73
1039201	2-133	16930	2-63	31613	2-131

# CROSS REFERENCE

Part Number	Page Number	Part Number	Page Number	Part Number	Page Number
31922	2-97	35706	2-101	372103	5-11, 6-11, 7-7
32129	2-69, 2-73	35709	2-89	372104	5-11, 6-11, 7-7
32483	2-37, 2-67, 2-135, 2-143, 3-47	360074	2-19	372105	5-11, 6-11
32485	2-27, 2-63, 3-37	360357	3-19	372106	5-22, 6-20, 7-13
32486	2-21, 2-23, 2-27, 2-57, 2-59, 2-63, 2-67, 2-69, 2-73, 2-111, 2-141, 3-9, 3-13, 3-15, 3-19, 3-21, 3-37, 3-75, 3-77	361339	2-57, 2-69, 2-73	372107	5-22, 6-20
32490	2-7, 2-9, 2-11, 2-30, 2-33, 2-35, 2-37, 2-49, 2-53, 2-57, 2-89, 2-99, 2-139, 2-141, 3-15, 3-17, 3-19, 3-45, 3-47, 3-69	36328	3-13	372108	5-22, 6-20, 7-13
32491	2-21, 2-31, 2-37, 2-39, 2-41, 2-43, 2-45, 2-47, 2-51, 2-57, 2-59, 2-64, 2-67, 2-69, 2-70, 2-73, 2-74, 2-99, 2-143, 3-17, 3-19, 3-23	363616	3-37	372109	5-19
32492	2-17, 2-23, 2-41, 2-45, 2-143, 3-3, 3-13, 3-15, 3-17, 3-19	364292	2-107	372110	5-13, 6-13
32493	2-23, 2-27, 3-9, 3-13, 3-17, 3-21, 3-37	364587	2-69, 2-73	372111	5-13, 6-13
32515	2-107	364614	3-47	372112	5-13, 6-13
32815	2-37, 2-39, 2-41, 3-45	364837	2-51	372113	5-13, 6-13
32822	2-57, 3-58	364942	2-107	372114	5-13, 6-13
32895	3-37	364943	2-107	372115	5-13, 6-13, 7-21
32969	3-9, 3-21	365183	2-107	372116	5-13, 6-13
32978	3-47	365353	2-51	372117	2-2, 5-13, 6-13
32982	2-37	36643	2-13, 2-15	372118	5-13, 6-13
32985	3-9, 3-19, 3-37, 3-75	367679	2-77	372121	5-13, 6-13
32988	3-3	367946	3-61	372122	5-16, 6-16
331000	3-78	369704	2-5, 2-7	372123	5-16, 6-16, 7-24
331002	3-78	371748	2-133	372124	5-15, 5-35, 6-15, 6-33, 7-25
331003	3-78	372069	5-3, 6-3, 7-3	372125	5-15, 6-15
331005	3-78	372070	5-3, 6-3, 7-3	372126	5-15, 6-15
331019	3-78	372071	5-3, 6-3, 7-3	372127	5-15, 5-25, 5-29, 5-31, 6-15, 6-23, 6-27, 6-29, 6-43, 7-5, 7-9, 7-17, 7-21, 7-23, 7-33
33342	2-19, 2-69, 2-73, 2-111, 3-9, 3-21	372072	5-3, 6-3, 7-3	372128	5-15, 6-15
33440	3-9	372073	5-3, 6-3, 7-3	372129	5-15, 6-15, 7-9
33691	3-33	372074	5-3, 6-3, 7-3	372130	5-15, 6-15, 7-9
33692	3-33	372075	5-3, 6-3, 7-3	372131	5-15, 6-15
33812	2-141	372076	5-3, 6-3, 7-3	372132	5-15, 6-15
33817	4-35	372077	5-3, 6-3, 7-3	372133	5-15, 5-31, 6-15, 6-29, 7-9, 7-23
33862	2-141	372078	5-3, 6-3	372134	5-15, 5-29, 6-15, 6-27, 7-9, 7-21
34172	4-8	372079	5-3, 6-3, 7-3	372135	5-15, 6-15, 7-9
34392	2-13, 2-17	372080	5-3, 6-3, 7-3	372136	5-15, 6-15, 7-9
		372081	5-3, 6-3, 7-3	372137	5-15, 6-15
		372082	5-3, 6-3, 7-3	372138	5-15, 6-15
		372083	5-3, 6-3, 7-3	372139	5-15, 6-15, 7-9
		372084	5-3, 6-3, 7-3	372140	5-15, 6-15, 7-9
		372085	5-3, 6-3, 7-3	372141	5-15, 6-15, 7-9
		372086	5-3, 6-3, 7-3	372142	5-15, 6-15
		372087	5-5, 5-7, 5-29, 6-5, 6-7, 6-27, 7-15, 7-21	372143	5-15, 6-15
		372088	5-5, 6-5	372144	5-15, 6-15
		372089	5-5, 6-5, 7-15	372145	5-17, 6-17
		372090	5-5, 6-5	372146	5-18, 6-43, 7-33
		372091	5-7, 5-15, 5-27, 6-7, 6-15, 6-25, 7-9, 7-19	372147	5-18, 6-43, 7-33
		372094	5-7, 6-7	372148	5-18
		372095	5-7, 5-25, 6-7, 6-23, 7-9, 7-17	372149	5-25, 6-23, 7-12, 7-17
		372096	5-7, 6-7	372150	5-25, 6-23
		372097	5-7, 6-7	372151	5-25, 6-23, 7-17
		372099	5-7, 6-7	372152	5-25, 5-29, 6-23, 6-27, 7-17, 7-21
		372100	5-7, 6-7	372153	5-25, 6-23, 7-17
		372101	5-11, 5-15, 5-29, 6-11, 6-15, 6-27, 7-7, 7-9, 7-10, 7-21	372154	5-25, 6-23, 7-17
		372102	5-11, 6-11, 7-7, 7-19	372155	5-25, 6-23, 7-17

# CROSS REFERENCE

Part Number	Page Number	Part Number	Page Number	Part Number	Page Number
372156	5-25, 6-23, 7-17	372213	5-31, 6-29, 7-23	372295	2-87
372157	5-25, 6-23, 7-17	372214	5-32, 6-30, 6-31	372296	2-87
372158	5-25, 6-23, 7-17	372215	2-23	372297	2-87
372159	5-25, 5-39, 6-23, 6-37	372216	2-23, 2-27	372298	2-87, 2-91
372160	5-25, 6-23	372217	2-23, 2-27, 5-37, 6-35	372299	2-91
372161	5-25, 6-23	372218	2-23	372300	2-91
372162	5-25, 6-23, 7-17	372219	2-23, 2-27	372301	2-87
372163	5-25, 6-23, 7-17	372220	2-30	372302	2-89
372164	5-25, 6-23, 7-17	372221	2-30	372303	2-87, 2-89
372165	5-25, 6-23, 7-17	372222	2-30	372304	2-89, 2-91
372166	5-25, 6-23, 7-17	372223	2-30	372305	2-91
372167	5-25, 6-23, 7-17	372224	2-30	372306	2-87
372168	5-27, 5-37, 6-25, 6-35, 7-29	372225	2-30	372307	2-87
372169	5-27, 6-25, 7-19	372226	2-30	372308	2-87
372170	5-27, 6-25	372227	2-23, 2-27	372309	2-87
372171	5-27, 6-25	372228	2-24	372310	2-91
372172	5-27, 6-25	372229	2-24	372311	2-87
372173	5-27, 6-25	372230	2-45	372312	2-93, 2-95
372174	5-20, 6-18	372233	2-30	372313	2-93, 2-95
372175	5-21, 6-19	372253	5-7, 6-7	372314	2-93, 2-95
372176	5-23, 6-21, 7-14	372254	5-7, 6-7	372315	2-93, 2-95
372178	5-23, 6-21, 7-14	372255	6-9, 7-5	372316	2-93, 2-95
372179	5-29, 6-27, 7-21	372256	6-9, 7-5	372317	2-93, 2-95
372180	5-29	372257	6-9, 7-5	372318	2-93, 2-95
372181	5-29	372258	6-9, 7-5	372319	2-93, 2-95
372182	5-29, 6-27, 7-21	372259	5-9, 6-9, 7-5	372320	2-93, 2-95
372183	5-29, 6-27	372261	6-13	372321	2-93
372184	5-29, 5-39, 6-27, 6-37, 7-11	372262	5-13, 6-13	372322	2-93
372185	5-29, 6-27	372263	5-13, 6-13	372323	2-93
372186	5-29, 6-27	372264	5-23, 6-21, 7-14	372324	2-93, 2-95
372187	5-29, 6-27	372265	6-27	372325	2-93
372188	5-29, 5-39, 6-27, 6-37, 7-11	372266	6-27	372326	2-93
372189	5-29, 6-27, 7-21	372267	6-27	372327	2-93
372190	5-29	372268	6-27, 7-21	372328	2-95
372191	5-29	372269	6-27, 7-21	372329	2-95
372192	5-29	372270	6-27	372330	2-95
372193	5-29	372271	6-27	372331	2-95
372194	5-29, 6-27, 7-21	372272	6-27, 7-21	372332	2-95
372195	5-29, 6-27, 7-21	372273	6-27, 7-21	372333	5-33
372196	5-29, 7-21	372274	6-27, 7-21	372334	5-35, 6-33, 7-27
372197	5-29, 6-27, 7-21	372275	6-27	372336	5-35, 6-33, 7-27
372198	5-29	372276	6-27, 7-21	372337	5-35, 6-33, 7-27
372199	5-29, 7-21	372277	6-27	372338	5-35, 6-33, 7-27
372200	5-29	372278	6-27	372339	5-35, 6-33, 7-27
372201	5-29	372279	6-27, 7-21	372340	5-35, 6-33, 7-27
372202	5-29	372280	6-27	372341	5-35, 6-33, 7-27
372203	5-29	372281	6-27	372342	5-35, 6-33, 7-27
372204	5-29, 6-27, 7-21	372282	6-27	372343	5-35, 6-33, 7-27
372205	5-29	372283	6-27, 7-21	372344	5-35, 6-33, 7-27
372206	5-29	372284	6-27, 7-21	372345	5-35, 6-33, 7-27
372207	5-31, 6-29, 7-23	372285	6-27, 7-21	372346	5-35, 6-33, 7-27
372208	5-31, 6-29, 7-23	372286	2-95	372347	5-35, 6-33, 7-27
372209	5-31, 6-29, 7-23	372287	2-93	372348	5-37, 6-35, 7-29
372210	5-31, 6-29, 7-23	372289	2-89	372349	5-37, 6-35, 7-29
372211	5-31, 6-29, 7-23	372290	2-89	372350	5-37, 5-39, 6-35, 6-37, 7-29
372212	5-31, 6-29	372291	2-89	372351	5-37, 6-35, 7-29
		372292	2-89	372352	5-37, 6-35, 7-29
		372293	2-87	372353	5-37, 6-35, 7-29
		372294	2-91	372354	5-37, 6-35, 7-29

# CROSS REFERENCE

Part Number	Page Number	Part Number	Page Number	Part Number	Page Number
372355	5-37, 6-35, 7-29	372419	5-9, 6-9, 7-5	373643	4-41
372356	5-37, 6-35, 7-29	372421	5-9, 6-9	373644	4-41
372357	5-37, 6-35	372422	5-9	373645	4-41
372358	5-37, 6-35, 7-29	372423	6-43, 7-33	373646	4-41
372359	5-37, 6-35, 7-29	372426	6-43, 7-33	373647	4-41, 4-43
372360	5-37, 6-35, 7-29	372427	6-43, 7-33	373648	4-41, 4-43
372361	5-37, 6-35	372428	6-43, 7-33	373649	4-43
372362	5-37, 6-35	372429	6-43, 7-33	373650	4-43
372363	5-37, 6-35, 7-29	372430	6-43, 7-33	373651	4-43
372364	5-37, 6-35, 7-29	372431	6-43	37555	4-8
372365	5-37, 6-35	372432	6-43, 7-33	375642	2-59, 2-63
372367	5-39, 6-37	372433	6-43, 7-33	37573	4-25
372368	5-39, 6-37	372434	6-43	376059	2-15
372369	5-39, 6-37	372437	6-43, 7-33	376716	2-143
372370	5-39, 6-37	372438	6-43	37778	4-25
372371	5-39, 6-37	372944	4-15	381981	2-57
372372	5-39, 6-37	372945	4-17	382745	3-74
372373	5-39, 6-37	373212	4-9	38321	3-33, 4-25
372374	5-39, 6-37	373213	4-9	38490	3-9
372375	5-39, 6-37	373342	4-35	388532	3-43
372376	5-39, 6-37	373360	4-35	392171	3-23
372378	5-39, 6-37, 7-34	373361	4-35	392585	3-9
372379	5-39, 6-37, 7-34	373416	4-35	39277	2-9, 2-11, 2-39, 2-41, 2-45, 2-47, 2-53, 2-57, 2-69, 2-73, 2-143, 3-47
372380	5-39, 6-37	373417	4-27	39279	2-43, 2-45, 2-47
372381	5-41	373418	4-27	39283	2-17, 3-3, 4-13, 4-23
372382	5-41, 6-39, 7-31	373463	4-39	39284	2-63, 4-15
372383	5-41, 6-39	373478	4-35, 4-37, 4-39	39285	2-59, 2-111, 3-17, 3-37
372384	5-41, 6-39, 7-31	373489	4-35	39311	2-43, 2-45, 2-47, 3-17
372385	5-41, 6-39, 7-31	373553	4-35, 4-39	39312	2-69, 2-73
372386	5-41, 6-39, 7-31	373556	4-35	39313	2-9, 2-23, 2-27, 2-69, 2-70, 2-73, 2-74, 2-131
372387	5-43, 6-41	373561	4-9	393135	2-57
372388	5-43, 6-41	373562	4-9	39322	3-33
372389	5-43, 6-41	373563	4-9	395973	3-15
372390	5-43, 6-41	373564	4-9	395974	2-139
372391	5-43, 6-41	373565	4-9	396287	2-141
372392	5-43, 6-41	373566	4-9	396288	2-141
372393	5-43, 6-41	373594	4-35, 4-37, 4-39	396440	3-63
372394	5-43, 6-41	373602	4-37	39663	3-43
372395	5-43, 6-41	373603	4-37	397889	3-23
372396	5-43, 6-41	373609	4-35	39811	2-24, 2-27
372397	5-43, 6-41	373610	4-35, 4-37, 4-39	398528	3-23
372398	5-43, 6-41	373611	4-35, 4-37, 4-39	39890	2-9, 2-11, 2-143, 2-145
372399	5-43, 6-41	373612	4-39	40143	3-33
372400	5-43, 6-41	373613	4-39	40144-21	4-25
372402	5-35, 6-33, 7-27	373614	4-39	40144-22	4-25
372404	6-39	373615	4-39	40144-4	3-33, 4-25
372405	5-9, 6-9, 7-5	373619	4-33	40144-6	3-33, 4-25
372406	5-9, 6-9	373620	4-33	40145	3-31
372407	5-9, 6-9, 7-5	373631	4-41, 4-43	40758	2-111
372408	5-9, 6-9, 7-5	373632	4-41	41142	2-99
372409	5-9, 6-9, 7-5	373633	4-41	41178	2-145
372410	5-9, 6-9, 7-5	373634	4-41		
372411	5-9, 6-9, 7-5	373635	4-41		
372412	5-9, 6-9, 7-5	373636	4-41		
372413	5-9, 6-9, 7-5	373637	4-41, 4-43		
372414	5-9, 6-9, 7-5	373638	4-41		
372415	5-9, 6-9, 7-5	373639	4-41, 4-43		
372416	5-9, 6-9, 7-5	373640	4-41, 4-43		
372417	5-9, 6-9, 7-5	373641	4-41		
372418	6-9	373642	4-41		

# CROSS REFERENCE

Part Number	Page Number	Part Number	Page Number	Part Number	Page Number
41187	2-59, 2-63, 3-3, 3-13	59965	2-81	760560	2-85
41345	2-63	60428	2-9, 2-11	760562	2-85
41346	2-23, 2-27, 2-67, 2-69, 2-73, 2-111, 3-9, 3-43, 4-11, 4-15, 4-21	60933	2-49	760565	2-37, 2-39, 2-41, 2-77
41430	2-17, 2-143, 3-17, 3-19, 3-37	61288	2-131	760566	2-85
41445	3-17, 3-19	61866	3-61, 3-63	760577	2-77
41619	3-13, 3-23	61923	2-77	760586	2-77
41620	2-93, 2-95	62595	2-37, 2-39, 2-41	760591	3-45
41732	2-57	63244-1	2-143, 3-23, 3-31	760598	2-77
42467	2-59	63810	2-103, 3-43	760599	3-31
43844	2-33, 2-35	65084	2-141	760640	3-45
45223	3-63	65869-5	2-2	760647	2-77
45224	3-63	65870-5	2-2	760649	3-45
45290	2-63	66612	2-59	760653	3-47
45628	4-8	67767	2-33	760660	2-83, 3-31, 3-37, 3-47, 3-50
45779	2-5	68445	2-93, 2-95	760661	3-47
45780	2-5	68567	2-51, 3-45	760663	2-77
46314	2-7	69234	2-37	760665	3-49
46482	2-141	70006	2-131	760668	2-83
46711	2-77	70157	2-17	760672	3-31, 3-56, 3-57
47167	2-37, 2-39, 2-41	70157	2-17	760673	2-83
47801	2-9, 2-11, 2-77, 2-81, 2-83, 2-111, 3-3, 3-5, 3-9	71388	3-17	760679	2-83
48183	2-11	72970	2-97, 2-99, 3-39	760682	2-77, 2-81, 3-5
48416	2-133	73219	2-107	760691	2-83
48834	4-35, 4-39	74027	3-23	760695	2-83, 3-5
49145	3-21	74092	4-8	760721	2-57
49247	3-71	74093	4-8	760726	3-47
49883	2-30, 2-31	74094	4-8	760740	2-69, 2-73
49891	3-45	74098	4-5, 4-27, 4-35, 4-39, 4-41, 4-43	760757	2-23, 2-27, 2-69, 2-131
50270	2-59, 2-63	74099	4-8, 4-27	760785	2-57
50902	2-43, 2-45, 2-47	74191	4-8	760798	2-2, 2-57
51305	2-37, 2-39, 2-41	75428	3-39	760824	2-83
51538	2-5, 2-7	75430	2-5, 2-7	760828	2-73
54333	2-143, 3-23, 3-31, 3-74	760073	3-53	760837	2-2, 2-57
54396	2-24, 2-28	760078	3-50	760838	2-57
54618	3-17	760098	2-2	760882	2-2, 2-57
54620	3-17	760099	2-2	760883	2-57
55767	3-17	760105	3-51	760884	2-57
55844	2-2	760107	2-3, 3-75	760896	2-57
55845	3-61	760143	3-58	760897	2-2, 2-57
55850	2-2	760205	2-9, 2-11	760916	2-21, 3-3
56992	2-101, 3-39	760208	2-9, 2-11	760917	3-3
57048	2-13, 2-15	760357	2-5, 2-7	760921	2-21
57145	2-143	760395	2-5, 2-7	760925	2-21
57167	3-39	760447	2-81	760980	2-200
57534	2-51	760504	2-77	760983	2-200
57676	2-109	760507	3-45	760991	3-45
57702	2-5, 2-7, 2-143, 3-19, 3-45	760509	3-45, 3-49	761004	2-13
57804	2-99	760522	2-77	761005	2-13, 2-15
58366	2-19, 2-143	760523	2-77	761010	2-13, 2-15
58595	2-145	760529	2-79	761011	2-13, 2-15
59118-2	2-135	760532	2-79, 2-145	761012	2-13, 2-15
		760535	2-79	761013	2-13, 2-15
		760536	2-79	761014	2-13, 2-15
		760540	2-79	761017	2-13, 2-15
		760543	2-77	761018	2-13, 2-15
		760545	2-79	761019	2-13, 2-15
		760548	2-77	761020	2-13, 2-15
		760550	2-79		
		760552	2-145		
		760554	2-83		

# CROSS REFERENCE

Part Number	Page Number	Part Number	Page Number	Part Number	Page Number
761025	2-13, 2-15, 4-13, 4-23	761595	3-73, 3-74	761728	4-11, 4-21
761035	2-33, 2-35	761600	4-11	761729	4-11, 4-21
761036	2-33, 2-35	761601	4-11, 4-21	761732	4-11, 4-21
761043	2-5, 2-7	761602	4-11, 4-21	761733	4-21
761044	2-5, 2-7	761603	4-21	761738	2-87
761093	2-5, 2-7	761606	4-11	761741	3-73
761106	2-9, 2-11	761607	4-11, 4-21	761742	3-73
761111	2-59, 2-63	761608	4-15	761743	3-73
761117	2-2, 2-11	761609	4-11, 4-21	761744	3-73
761118	2-11	761610	4-11, 4-21	761745	3-73
761119	2-11	761611	4-11, 4-15, 4-21	761746	3-73
761120	2-9, 2-11	761613	4-11, 4-13, 4-23	761747	3-73
761121	2-9, 2-11	761614	4-15	761748	3-73
761124	2-9, 2-11	761615	4-11	761749	3-73
761125	2-9, 2-11	761616	4-11	761750	3-73
761126	2-3	761618	4-19	761751	3-73
761128	2-19	761623	4-19	761752	3-73
761130	2-19	761625	4-19	761753	3-73
761131	2-19	761626	4-19	761754	3-73
761134	2-19	761629	4-11, 4-21	761755	3-73
761141	2-19	761630	4-11, 4-21	761756	3-73
761148	2-57	761631	4-11, 4-21	761757	3-73
761153	2-57	761634	4-11	761758	3-73
761158	2-2, 2-9, 2-11	761635	4-21	761759	3-73
761179	2-9, 2-11	761641	4-13, 4-23	761761	3-73
761209	2-111, 3-9	761643	4-13, 4-21	761762	3-73
761211	2-3	761644	4-13, 4-23	761763	3-73
761213	2-3	761646	4-13	761781	3-73
761215	2-111	761647	4-13	761782	3-73
761216	2-111	761649	4-15	761783	3-73
761217	2-111	761650	4-15	761784	3-73
761223	2-111, 3-9	761651	4-15	761785	3-73
761225	2-111, 3-9, 3-19, 3-75	761652	4-15	761786	3-73
761229	2-111, 3-9	761653	4-15	761787	3-73
761233	3-45	761654	4-15	761788	3-73
761235	3-75	761655	4-15	761789	3-73
761237	2-5, 2-7	761656	4-15	761790	3-73
761238	2-3	761658	4-15	761791	3-55
761239	2-3	761659	4-15	761795	3-51
761292	2-23, 2-27	761660	4-19	761798	2-13, 2-15
761293	2-23, 2-27	761661	4-15	761799	2-13, 2-15
761311	3-21	761662	4-15	761824	2-43, 2-45, 2-47
761317	3-13	761663	4-15	761826	2-43, 2-45, 2-47
761328	3-15	761665	4-15	761828	2-143
761372	2-3	761666	4-15	761830	2-49
761417	2-77	761667	4-15	761867	2-87, 3-39
761428	2-111, 3-9, 3-21	761668	4-15	761872	2-87
761449	3-15	761669	4-15	761881	2-101
761451	3-21	761670	4-15	761882	2-5, 2-7
761463	3-21	761672	4-15	761885	3-39
761490	3-19, 3-45	761674	4-15	761893	2-5
761501	2-2, 3-55	761678	4-15	761914	2-93, 2-95
761505	2-79	761682	4-15	761915	2-93, 2-95
761515	2-77	761712	2-13, 2-17	761924	2-103, 3-43
761524	2-83, 3-31	761714	4-11, 4-21	761926	2-103, 3-43
761525	3-58	761715	4-11, 4-21	761927	2-103, 3-43
761526	3-58	761716	4-11, 4-21	761936	2-105
761542	2-77	761717	4-11, 4-21	761946	2-103, 3-43
		761720	4-11, 4-21	761950	2-103, 3-43
		761727	4-11, 4-21	761952	2-97

# CROSS REFERENCE

Part Number	Page Number	Part Number	Page Number	Part Number	Page Number
761954	2-97	762266	3-31	762438	2-17, 2-109, 2-141, 3-15, 3-35
761959	3-43	762267	3-31	762439	3-15
761960	3-43	762269	3-31	762440	2-139, 2-141
761961	3-43	762270	3-31	762441	2-15, 2-139
761962	3-43	762271	3-31	762442	2-139
761963	3-43	762272	3-31	762443	2-81
761965	3-43	762277	3-33	762444	3-5
761981	2-93, 2-95	762278	3-31	762445	2-131, 2-139, 2-141
761986	4-19	762279	3-33	762446	2-23, 2-27, 2-131
761988	4-15	762280	3-33	762448	2-23, 2-27, 2-131
761992	2-13, 2-17	762281	3-33	762456	2-23, 2-27
761993	2-13, 2-17, 4-13, 4-23	762282	3-33	762457	2-133
761995	2-13, 2-17	762284	3-31	762461	3-21
761996	2-13	762285	3-31	762463	2-19, 2-133, 2-135, 2-137, 3-15
761997	2-13	762286	3-31	762464	2-60, 2-135, 2-137
761998	2-17	762288	2-133	762468	2-85, 2-141
761999	2-17	762290	3-31	762469	2-85, 2-119, 2-133
762007	2-15	762291	3-31	762481	2-39, 2-41, 2-135
762011	3-19	762292	3-31	762482	2-135
762032	2-85, 4-9	762293	3-31	762484	2-131
762035	2-77, 4-8	762294	3-31	762487	2-133
762043	3-9	762297	3-31, 3-56, 3-57	762488	2-15
762073	2-111, 3-9	762335	2-119	762492	2-133, 3-15
762075	2-131	762349	2-119	762501	2-109
762080	4-11, 4-21	762350	2-119	762504	2-109
762105	2-131	762366	2-127	762505	3-23
762109	2-15	762371	2-123	762513	2-99, 3-71
762116	2-60	762377	3-25	762514	2-99
762117	4-9	762387	3-35, 3-41	762515	2-99, 3-59, 3-65, 3-67
762136	2-15, 4-7	762399	2-127	762516	2-99
762160	2-139	762409	2-23, 2-27	762517	2-109
762165	2-24	762415	2-37, 2-39, 2-41	762519	2-97, 2-99
762180	2-5, 2-7, 3-15	762425	2-17, 2-21, 2-133, 2-135, 3-5, 3-19	762520	2-97
762201	3-57	762426	2-17, 2-21, 2-77, 2-135, 3-15, 3-19, 3-21	762522	2-97, 3-61, 3-63
762207	3-57	762427	2-15, 2-69, 2-73, 2-109, 2-133, 2-137, 2-139, 3-17, 3-37	762523	2-97
762209	2-143			762525	2-97
762210	3-57			762547	2-97
762212	2-143, 3-31			762554	2-55
762213	3-31			762555	2-55
762214	2-143			762556	2-55
762217	2-143, 3-23	762428	2-15, 2-137, 2-141	762557	2-55
762219	3-23	762430	2-13, 2-15	762572	3-59
762220	2-2, 2-143	762431	2-13, 2-15	762573	2-5
762221	2-2, 2-143, 3-23	762432	2-13, 2-17, 2-81, 2-85, 2-111, 2-131, 2-133, 2-137, 2-139, 3-5, 3-9, 3-15	762575	3-23
762225	2-143			762583	2-99
762228	2-143			762587	2-5
762229	3-31			762601	2-109
762234	2-2, 2-143	762433	2-15, 2-131, 2-133, 2-137, 2-139, 2-141, 3-5, 3-15, 3-35	762602	2-109
762236	2-143, 3-23			762603	2-109
762237	3-31			762604	2-97
762249	2-143, 3-23, 3-74	762434	2-15, 2-81, 2-141, 3-9	763003	2-21, 2-111, 3-9
762253	3-56			763005	2-111, 3-9
762254	3-31			763007	2-21, 2-111, 3-9
762255	2-143	762435	2-67, 2-81, 2-139, 3-35	763022	2-21
762256	3-31			763024	2-21
762260	3-33, 4-25	762436	2-85	763036	2-21, 3-21
762261	3-33	762437	2-77		
762264	3-31				
762265	3-31				



# CROSS REFERENCE

Part Number	Page Number	Part Number	Page Number	Part Number	Page Number
763040	2-5, 2-7, 2-9, 2-11, 2-69, 2-73, 2-145, 3-19	763518	4-5	764139	2-33, 2-35
763041	2-9, 2-11, 2-24, 2-28, 2-30, 2-57, 2-91, 2-135, 2-143, 2-145, 3-45, 3-69	763519	4-5	764168	2-51, 2-53
763042	2-43, 2-45, 2-47, 2-111, 2-131, 2-135, 2-143, 3-17, 3-37	763520	4-5	764182	2-51, 2-53
763043	2-23, 2-24, 2-27, 2-111, 3-9, 3-43	763521	4-5	764183	2-37, 2-39, 2-41
763045	2-21, 3-45	763522	4-5	764190	2-2, 2-51, 2-53
763050	2-21	763523	4-5	764191	2-51, 2-53
763061	2-23, 2-27, 2-69, 2-73, 2-131	763524	4-5	764209	3-43
763065	2-111	763525	4-5	764212	3-43
763067	3-3	763526	4-5	764234	2-145
763072	2-51, 2-53, 2-143, 3-37	763527	4-5	764235	2-145
763074	2-111, 3-9	763528	4-5	764238	2-145
763075	2-9, 2-11, 2-77, 2-79, 3-45	763529	4-5	764240	2-145
763092	2-67	763530	4-5	764241	2-145
763096	3-43	763531	4-5	764244	2-145
763100	2-9	763532	4-5	764245	2-145
763114	3-45	763533	4-5	764253	2-145
763115	3-15, 3-23, 3-31	763534	4-5	764254	2-145
763116	2-5, 2-7, 3-31	763535	4-5	764256	2-9, 2-11, 2-145
763117	2-133	763536	4-5	764260	2-2, 2-145
763118	2-21, 3-3	763537	4-5	764261	2-2, 2-145
763126	2-5, 2-7	763538	4-5	764263	2-145
763127	3-47	763539	4-5	764291	2-49
763131	2-19	763541	4-5	76438	2-69, 2-73
763133	2-19	763542	4-5	765283	2-99
763134	2-19	763931	4-5	765292	3-71
763139	2-111, 3-9	763943	4-5	765293	3-59
763148	3-33	763948	4-7	765307	2-5, 2-7
763149	2-99	763949	4-7	765322	2-11
76321	2-49	763950	4-7	765335	2-11
763212	3-45, 3-49	763951	4-7	765336	2-9
763244	2-77	763952	4-7	765360	2-5, 2-7
763278	2-77	763953	4-7	765370	2-21
763284	2-77	763954	4-7	765380	2-21
763443	4-5	763955	4-7	765381	2-21
763446	4-5	763956	4-7	765391	2-5, 2-7
763447	4-5, 4-7	764002	2-33, 2-35	765435	3-3
763449	4-5	764009	2-23, 2-27	765444	3-5
763450	4-5	764011	2-23, 2-27	765445	3-5
763451	4-5	764012	2-23, 2-27	765450	2-81
763452	4-5	764014	2-23, 2-27	765465	3-3
763457	4-7	764015	2-23, 2-27	765488	2-21
763461	4-7	764016	2-5, 2-7	765491	3-5
763464	4-7	764025	2-37, 2-39, 2-41	765492	3-5
763504	4-8	764027	2-49	765612	2-77
763506	4-8	764045	2-23, 2-27	765614	2-77
763507	4-8	764064	2-33, 2-35	765620	3-3
763508	4-8	764070	2-21, 2-23, 2-27	765621	3-3
763509	4-8	764071	2-23, 2-27	765650	3-45
		764073	2-5, 2-7	76570	2-9, 2-37, 2-39, 2-41, 2-49, 2-53, 2-57, 2-63, 2-145
		764077	2-43, 2-45, 2-47		
		764082	2-43, 2-45, 2-47	765805	2-59, 2-63
		764085	2-43, 2-45, 2-47	765806	2-59, 2-63
		764087	2-33, 2-35	765817	2-59, 2-63
		764090	2-33, 2-35	765845	2-2, 2-67
		764098	2-43, 2-45, 2-47	765960	2-200
		764120	2-43, 2-45, 2-47	766014	2-55
		764123	2-43	766015	2-55
		764126	2-33, 2-35	766031	2-17
		764129	2-33, 2-35	766042	2-37
		764131	2-2, 2-49		

# CROSS REFERENCE

Part Number	Page Number	Part Number	Page Number	Part Number	Page Number
766043	2-37	767523	3-43	768200	2-11
766044	2-37	767641	2-111, 3-9, 3-76,	768202	2-9, 2-11
766046	2-37		3-77	768205	2-9
766405	2-49	767642	3-76	768207	2-9, 2-11
766406	2-51, 2-53	767644	2-111, 3-9, 3-76	768209	2-9, 2-11
766417	2-37, 2-39, 2-41	767645	3-29	768210	2-9, 2-11
766966	2-5, 2-7	767646	3-29	768211	2-9, 2-11
766980	2-5, 2-7	767647	2-107	768222	2-9, 2-11
766984	2-5	767648	2-23, 2-27	768304	2-143
767009	3-35, 4-31	767702	2-13	768310	3-31, 3-56, 3-57
767014	2-133, 3-15	767703	4-21	768314	3-31
767019	2-131	767704	4-21	768318	3-56, 3-57
767026	2-137	767705	4-17	768320	2-143
767180	2-60	767707	4-17	768322	3-57
767200	2-133, 4-5	767709	4-17	768323	2-143
767205	2-143	767710	4-17	768324	2-143
767212	2-17	767734	4-23	768325	3-57
767221	2-141	767735	4-23	768410	2-5, 2-7
767224	2-119	767737	4-13	768411	2-5, 2-7
767225	2-119	767738	4-13, 4-23	768412	2-5, 2-7
767230	2-119, 2-123, 2-127	767739	4-13, 4-23	768413	2-5, 2-7
767231	2-119	767740	4-13, 4-23	768416	3-43
767232	2-119	767741	4-13, 4-23	768423	3-39
767233	3-7	767742	4-13, 4-21, 4-23	768425	2-97
767234	2-119	767745	4-13, 4-23	768430	2-97
767235	2-119, 2-127	767746	4-13, 4-23	768431	2-97
767236	2-119	767747	4-13, 4-23	768432	2-99
767237	2-119	767748	4-13, 4-23	768433	2-99
767238	2-119	767749	4-13, 4-23	768434	2-99
767239	2-127	767750	4-13, 4-23	768435	3-71
767241	2-121	767752	4-13, 4-23	768438	3-71
767242	2-121	767753	4-13, 4-23	768443	2-97
767253	3-25	767762	4-13, 4-23	768445	3-39
767255	3-37	767763	4-13, 4-23	768446	2-99
767261	2-129	767764	4-13, 4-23	768447	2-91
767262	2-129	767766	2-2	768448	2-91, 3-69
767264	2-125	767767	4-13	768449	2-99
767265	2-129	767768	4-23	768451	2-99
767266	2-127	768009	2-9, 2-11	768453	2-97
767282	2-123	768014	2-21	768457	2-109
767290	2-119	768019	2-21	768458	2-97
767291	2-127	768025	2-3	768469	3-39
767308	2-129	768026	2-3	768471	2-135
767309	2-129	768028	2-3	768472	3-39
767311	2-129	768029	2-3	768476	3-39
767312	2-129	768030	2-3	768477	3-39
767315	2-131	768031	2-3	768480	2-109
767319	3-7	768032	2-3	768481	2-109
767320	3-7	768033	2-3	768482	2-109
767321	3-7	768034	2-3	768485	2-99, 3-69
767323	3-7	768036	2-3	768486	3-71
767324	2-125	768038	2-145	768487	2-5, 2-7
767325	3-7	768039	2-145	768492	2-99
767329	3-25	768089	2-2, 2-145	768493	2-99
767333	2-119	768091	2-145	768496	3-39
767407	2-131, 2-133	768096	2-145	768497	3-39
767411	2-135	768099	2-9, 2-11	768504	3-65, 3-67
767422	3-37	768100	2-145	768505	3-65, 3-67
767521	3-43	768103	2-145	768550	2-101
767522	3-43	768104	2-145	768551	2-99

# CROSS REFERENCE

Part Number	Page Number	Part Number	Page Number	Part Number	Page Number
768552	2-99	769036	2-105	769616	2-87
768554	2-99	769038	2-103, 3-43	769617	2-87
768555	3-59	769039	2-103, 3-43	769618	2-91, 2-99
768561	2-178, 2-199	769040	2-103, 3-43	769619	2-91
768563	2-178, 2-199	769042	3-43	769620	2-87
768567	2-49	769046	2-103, 3-43	769626	2-101
768568	2-51, 2-53	769071	2-87	769630	2-87
768570	2-101	769077	2-135	769631	2-87
768580	2-99	769087	2-145	769640	2-89
768581	2-99	769090	3-73	769641	2-89
768582	2-107	769093	4-11, 4-21	769642	2-89
768583	2-107	769208	2-39, 2-41	769643	2-89
768584	2-107	769300	3-67	769645	2-91
768586	2-107	769314	2-127	769651	2-101
768587	2-107	769503	3-3	769652	2-101
768591	2-101	769504	3-3	769653	2-93, 2-95
768593	2-23, 2-27	769507	3-5	769654	2-91
768595	2-99	769508	3-5	769656	2-101
768596	2-99	769509	3-3	769657	2-2, 2-87
768598	3-61	769510	3-3	769658	2-91
768601	2-99	769511	3-3	769659	2-87
768602	2-139	769512	3-3	769777	3-23
768603	2-99	769513	3-3	769778	3-23
768604	3-61, 3-63	769514	3-3	770000	2-11
768605	3-61	769515	3-5	770002	2-121
768606	2-101, 3-59	769516	3-5	770016	2-15
768607	2-101	769518	3-5	770023	2-109
768609	2-99	769522	3-3, 3-5	770025	2-81
768610	2-99	769523	3-3, 3-5	77003	4-41, 4-43
768612	3-59	769524	3-3	770035	3-73
768619	2-5	769525	3-5	770148	2-17
768620	2-5	769526	3-5	770149	3-73
768627	2-23, 2-27	769527	3-5	770154	2-85
768717	3-45	769528	3-3	770155	3-45
768810	3-63	769529	3-3	770168	3-61
768827	2-178	769530	3-5	770169	3-63
768834	2-111, 3-9, 3-76	769531	3-5	770170	3-67
768836	2-111, 3-9, 3-76, 3-77	769534	3-3	770171	3-65
768842	2-111, 3-9, 3-76, 3-77	769540	3-5	770172	2-37, 2-39, 2-41
768843	2-111	769541	3-3	770176	2-77, 2-81
768852	3-9	769542	3-3	770180	2-178, 2-199
768872	2-13, 2-15	769545	3-3	770181	4-5
768890	4-35	769547	3-3	770500	3-65, 3-67
768891	4-35	769548	3-3	770504	3-53
768896	2-37	769549	3-3	770646	3-73
768897	2-37, 2-39, 2-41	76955	3-69	770682	3-45
768899	2-137, 4-27, 4-29	769554	3-3	770696	3-45
769004	2-133	769558	3-5	771000	2-123
769005	2-133	769561	3-5	771001	2-17
769020	3-43	769562	3-5	771002	2-17
769021	3-43	769563	3-3	771003	2-17
769023	3-43	769589	3-77	771006	2-139
769024	2-103	769590	2-3, 3-77	771007	2-127
769029	3-43	769593	3-43	771008	2-19
769030	3-43	769598	2-9	771009	2-60
769031	2-105	769601	2-87	771010	2-139, 3-9, 4-35, 4-37
769032	2-105	769607	2-101	771011	3-15, 4-41
769033	2-105	769609	2-87	771012	3-19, 4-43
		769610	2-87	771013	2-135
		769615	2-87, 3-39		

# CROSS REFERENCE

Part Number	Page Number	Part Number	Page Number	Part Number	Page Number
771014	2-109, 4-33	79718	4-27	9005314	7-17
771016	2-133	79719	4-27, 4-35, 4-37,	9005317	7-23
771017	2-125		4-39	9005318	7-23
771018	2-131	79723	4-27	9005319	7-24
771019	2-135, 4-39	79728	4-27, 4-29, 4-31,	9005320	7-10
771023	2-135		4-35, 4-37, 4-39	9005321	7-10
771024	2-135	79731	4-27, 4-29	9005322	7-15
771029	2-69, 2-73	79740	4-27, 4-29, 4-31,	9005323	7-5
771030	2-123		4-35, 4-37, 4-39	9005324	7-5
771031	3-7	79779	4-5	9005325	7-5
771032	2-123	79840	2-121, 3-35	9005326	7-5
771036	2-123	79872	2-131	9005327	7-5
771037	2-125	79874	3-37	9005328	7-19
771038	2-127	82661	2-37, 2-39, 2-41,	9005329	7-19
771040	2-139		3-43	9005330	7-19
771041	2-127	82727	2-109	9005331	7-7, 7-29
771042	2-141	82733	2-77	9005332	7-29
771043	2-127, 3-11	82829	2-33, 2-35	9005333	7-29
771045	2-127	83584	2-39, 2-41	9005334	7-29
771047	3-25	83733	3-17	9005335	7-29
771048	3-25	86318	3-13	9005341	7-31
771050	3-25	86385	2-2	9005342	7-31
771051	3-25	86508	2-143, 3-31	9005343	7-34
771052	2-2	87308	2-67, 2-69, 2-73	9005344	7-34
771053	2-139	87677	3-31	9005346	7-25
771057	3-25	9000071	2-77	9005347	7-25
771059	3-37	9000119	2-2	9005348	7-25
771070	3-37	9000452	2-107	9005349	7-21
771072	2-111, 3-9, 3-21	9000522	2-30	9005350	7-21
771073	2-39, 2-41	9000688	2-2	9005351	7-21
771074	2-123	9000689	2-2	9005352	7-21
771076	2-123	9000735	3-41	9005353	7-21
771077	2-135	9000736	3-41	9005354	7-21
771078	2-2, 2-131	9001442	2-133	9005355	7-13
771079	3-37	9001524	4-19	9005373	7-37
771081	3-35	9001540	2-123	9005374	7-37
771082	3-35	9001541	2-123	9005375	7-37
771083	3-35	9001775	2-21	9005382	7-35
771084	3-15	9001923	2-89	9005383	7-35
771085	3-25	9001924	2-89, 3-69	9005384	7-35
771086	3-19	9002029	3-69	9005385	7-35
771088	3-37	9002764	4-11, 4-21	9005386	7-35
771089	2-131	9002765	4-11, 4-21	9005387	7-35
771090	2-135	9003022	2-131	9005388	7-35
771092	2-127	9003028	2-59	9005397	7-38
771094	2-125	9003286	3-74	9005398	7-38
771095	2-127	9003311	2-69	9005399	7-38
771096	2-59	9003312	2-73	9005402	7-33
771098	2-119	9003314	2-69	9005403	7-33
771099	2-123	9003315	2-73	9005404	7-33
77752	2-64	9003498	3-37	9005409	7-33
78951	3-71	9004937	2-35	9005413	7-33
78954	3-71	9005306	7-9	9005415	7-33
79508-1	3-50	9005307	7-9	9005416	7-33
79515	3-50	9005308	7-9	9005417	7-33
79517	3-50	9005309	7-9	9005418	7-33
79518	3-50	9005310	7-9	9005422	7-36
79711	4-27, 4-29, 4-31,	9005311	7-9	9005423	7-36
	4-35, 4-37, 4-39	9005312	7-9	9005424	7-36
79716	4-27, 4-29, 4-31	9005313	7-7	9005425	7-36

**PART DESCRIPTION TO PAGE NUMBER CROSS REFERENCE LIST**

**Numbers**  
 424 Oil, Brakes, 2.5 Gal., 2-2

**A**

Accumulator, Piston, Brake, Ce, 2-17  
 Adaptor, Arm, Wiper, 2-87  
 Adaptor, Cam Coupler, 3-57  
 Adaptor, Filter, Oil, Eng, Remote, 2-23 ,  
 2-27  
 Adaptor, 2-87  
 Adjusting Screw, 4-5  
 Air Cleaner, 8 inch, 2-51 , 2-53  
 Air Cleaner, 2-49  
 Alarm, Backup, Smart, 2-77  
 Alternator, 2-30  
 Angle, Guard, 3-17  
 Angle, Guide, 2-59 , 2-63 , 2-67  
 Angle, Hyd Valve Mount, 2-137  
 Angle, Paddle, Conveyor, 2-63  
 Angle, Skid Chain, 2-9 , 2-11  
 Angle, Switch, 2-77  
 Angle, Weld't, Filterbag Lift, 3-55  
 Angle, 3-31 , 3-37 , 3-56 , 3-57  
 Arm Assy, Rocker, 5-43 , 6-41  
 Arm Wldt, Lower, 3-19  
 Arm Wldt, Upper, 3-19  
 Arm Wldt, 2-21  
 Arm, Drive, 2-87  
 Arm, Lift, 2-69 , 2-73  
 Arm, Seal, Upper, 2-145  
 Arm, Wiper, Panel, 28.0, 3-39  
 Arm, Wiper, 2-87  
 Ashtray, Side Mounting, Chr, 2-97  
 Aspirator, Air Cleaner, 2-49  
 Axle Assembly, Rear W/Brake, 4-23  
 Axle, Front, 13.6:1 (See Breakdowns),  
 2-15  
 Axle, Rear (See Breakdowns), 2-13

**B**

Backplate, 4-9  
 Balancer, 5-3 , 6-3 , 7-3  
 Bar Flat, Rubber Hopper, 2-77  
 Bar Wldt, Brush Support, 3-76 , 3-77  
 Bar Wldt, Mtg, Hose, 3-17  
 Bar, Brush Support, 2-111  
 Bar, Hex, Stl, 0.75 3.2l M10 X 1.50 Thru,  
 3-17  
 Bar, Retainer, 2-59 , 2-63  
 Bar, Seal, Upper, 2-145  
 Bar, Side Spring, 2-13 , 2-15  
 Bar, Stop, Filter Bag, 2-79  
 Bar, Support, Lh, 2-145  
 Bar, Support, Rh, 2-145  
 Bar, Wldt. Brush Support, 3-9  
 Base, Lift, Lower, 2-81  
 Battery Box, Poly, 2-55  
 Battery, 12V, Cc Amps:1000 Wet, 2-55

Bearing, 32012, 4-15  
 Bearing, 35mm B X 72mm D X 17mm H,  
 4-17  
 Bearing, Ball, 50mm, 2-59 , 2-63  
 Bearing, Ball, 20.0b 47.0d 20.6w [Ang],  
 3-13  
 Bearing, Cam Roller 52x14x20, 2-69 ,  
 2-73  
 Bearing, Flange, 2-59 , 2-63 , 2-111 , 3-9

Bearing, Hub, 4-17  
 Bearing, Sleeve 30x38x10, 2-21  
 Bearing, Sleeve, 2-77  
 Bearing, Spherical, 3-3 , 3-5  
 Bearing, Thrust, 2-21  
 Bearing,, 3-9  
 Bearing, 2-19 , 2-21 , 2-111 , 3-9 , 3-21 ,  
 4-5 , 4-11 , 4-13 , 4-15 , 4-19 , 4-21  
 , 4-23 , 5-3 , 5-37 , 6-3 , 6-35 ,  
 7-29

Beater Bar, Filter Bag, 2-77  
 Belt, Fan, 2-30  
 Belt, V, 50.0l [Ax53], 2-31  
 Belt, 3-43  
 Bezel, Case, Instmt, 2-99  
 Bezel, Center, 2-97  
 Bezel, Switch, 2-99  
 Bezel, 2-97 , 2-99  
 Blade, Wiper, 2-87 , 3-39  
 Block Assy, Cyl, 5-37 , 6-35  
 Block Wldt, Spring, 2-67  
 Block, Pulley, 5-23 , 6-21 , 7-14  
 Block, Retainer, 2-67  
 Block, Stop, 3-13  
 Blower, Assy, 2-105  
 Body, 4-9  
 Bolt Kit, Cplg, 2-59  
 Bolt, .374-16X2.75, 2-101  
 Bolt, .44-20 X 1.50, 5-23 , 6-21 , 7-14  
 Bolt, Eye, .50-13 X 03.5, 3-19  
 Bolt, Eye, M10x1.50 X 30mm, 10 Eye,  
 3-17  
 Bolt, M10 X 1.5 X 20mm, 5-11 , 5-15 ,  
 5-29 , 6-11 , 6-15 , 6-27 , 7-7 , 7-9 ,  
 7-21  
 Bolt, M10 X 1.5 X 35mm, 5-22 , 6-20 ,  
 7-13  
 Bolt, M10 X 1.5 X 70mm, 5-3 , 6-3 , 7-3  
 Bolt, M10 X 1.50 X 60mm, 5-15 , 6-15  
 Bolt, M10x130, 3-43  
 Bolt, M12 X 1.75 X 45mm, 5-15 , 6-15 ,  
 7-9  
 Bolt, M6 X 1.0 X 14mm, 5-9 , 6-9 , 7-5  
 Bolt, M6 X 1.00 X 20mm, 5-25 , 6-23 ,  
 7-17  
 Bolt, M8 X 1.25 X 16mm, 5-15 , 5-29 ,  
 6-15 , 6-27 , 7-9 , 7-21

Bolt, M8 X 1.25 X 20mm, 5-15 , 5-25 ,  
 5-27 , 5-29 , 5-31 , 5-37 , 6-15 ,  
 6-23 , 6-25 , 6-27 , 6-29 , 6-35 ,  
 6-43 , 7-9 , 7-17 , 7-21 , 7-23 ,  
 7-29 , 7-33  
 Bolt, M8 X 1.25 X 25mm, 5-5 , 5-7 , 5-15  
 , 5-27 , 5-29 , 6-5 , 6-7 , 6-15 ,  
 6-25 , 6-27 , 7-9 , 7-15 , 7-19 ,  
 7-21  
 Bolt, M8 X 1.25 X 30mm, 5-31 , 6-29 ,  
 7-23  
 Bolt, M8 X 1.25 X 35mm, 5-7 , 5-25 , 6-7  
 , 6-23 , 7-17  
 Bolt, M8 X 1.25 X 45mm, 5-13 , 6-13  
 Bolt, M8 X 1.25 X 65mm, 5-15 , 5-31 ,  
 6-15 , 6-29 , 7-9 , 7-23  
 Bolt, M8 X 1.25 X 80mm, 5-25 , 6-23 ,  
 7-17  
 Bolt, M8 X 75mm, 5-31 , 6-29 , 7-23  
 Bolt, Modif, 2-5 , 2-7  
 Bolt, U, 48mm Id, 6mm, 3-19  
 Bolt, 5-3 , 5-7 , 5-9 , 5-11 , 5-13 , 5-18 ,  
 5-25 , 5-29 , 5-37 , 5-39 , 5-41 ,  
 5-43 , 6-3 , 6-7 , 6-9 , 6-11 , 6-13 ,  
 6-23 , 6-27 , 6-35 , 6-37 , 6-39 ,  
 6-41 , 6-43 , 7-3 , 7-5 , 7-7 , 7-17 ,  
 7-29 , 7-31 , 7-33 , 7-34  
 Boom Wldt, Vacuum Wand, 3-45  
 Boot, Rbr, 2-133  
 Bottle, Washer Fluid W/Pump, 2-5  
 Bottle, Winshield Washer Fluid, 2-5 , 2-7  
 Box Wldt, Cntrl R.H., 3-23  
 Box, Cntrl L.H., 3-23  
 Box, Instrument, 2-107  
 Bracket Wldt, Air-Clnr, 2-51  
 Bracket Weldt, 2-33 , 2-35  
 Bracket Wldt, Air Intake, 2-49  
 Bracket Wldt, Air-Clnr, 2-49 , 2-53  
 Bracket Wldt, Compressor, 3-43  
 Bracket Wldt, Door, 2-5 , 2-7  
 Bracket Wldt, Exhaust [Sentinel 08], 2-47  
 Bracket Wldt, Exhaust, 2-45  
 Bracket Wldt, Muffler, 2-43  
 Bracket Wldt, Tilt, Cab, Lower, 3-37  
 Bracket Wldt, Tilt, Cab, 3-37  
 Bracket Wldt, Tilt, Pump, 3-37  
 Bracket Wldt, Side Brush Lh, 3-9  
 Bracket, Eng, 2-39 , 2-41  
 Bracket, Accelerator, 2-101  
 Bracket, Air-Intk, 2-53  
 Bracket, Angle, Mtg, Tank, 2-143  
 Bracket, Antenna, 3-71  
 Bracket, Cable, Throttle Na, 2-23  
 Bracket, Cable, Throttle, 2-97  
 Bracket, Coil, 2-103 , 3-43  
 Bracket, Coolant Overflow, 2-37  
 Bracket, Dust Containment, Lh, 2-145  
 Bracket, Dust Containment, Rh, 2-145  
 Bracket, Extended Pin, 2-83  
 Bracket, Filter Bag, 2-79  
 Bracket, Intake, Turbo, 2-51

## CROSS REFERENCE

- Bracket, L, 2-107  
Bracket, Latch, 2-69  
Bracket, Light, Night Sweeping, 3-59  
Bracket, Mount, Hose, 2-143  
Bracket, Mtg, Alternator, 2-30  
Bracket, Mtg, Hinge, Lh, 3-47  
Bracket, Mtg, Hinge, Rh, 3-47  
Bracket, Mtg, Mirror, 24.5", 2-93 , 2-95  
Bracket, Mtg, Radio, 3-71  
Bracket, Mtg, Strobe, Rh, 3-67  
Bracket, Mtg, Valve, Hyd, 2-135  
Bracket, Nozzle, Tank, Water, 2-143  
Bracket, Pipe, Air, Chrgr [Sentinel 08], 2-41  
Bracket, Plate, Latch, Door, Lh, 2-73  
Bracket, Receiver, Dryer, 3-43  
Bracket, Remote Oil Filter, 2-23 , 2-27  
Bracket, Retainer, Rear, 2-11  
Bracket, Seatbelt, Lh, 2-89 , 3-69  
Bracket, Seatbelt, Rh, 2-89  
Bracket, Skirt, Lh, 2-145  
Bracket, Skirt, Rh, 2-145  
Bracket, Sppt, Hose, Vacuum, 3-45  
Bracket, Steering Column, Lh, 3-39  
Bracket, Stop, 2-23 , 2-27  
Bracket, Strike, 2-87  
Bracket, Switch, 2-81  
Bracket, Tank, Coolant, 2-39 , 2-41  
Bracket, Throttle Cable Turbo, 2-23 , 2-27
- Bracket, Throttle, Lh, 3-39  
Bracket, Tool Box, 3-31  
Bracket, Wldt, Turbo, 2-45  
Bracket, Cable Mount, 2-77  
Bracket, Clip Mount, 3-47  
Bracket, Filler Tube, 2-33 , 2-35  
Bracket, Hyd. Motor Support, 2-111 , 3-9  
Bracket, Side Brush Rh, 2-111  
Bracket, Skirt (on wet machine only), 2-111
- Bracket, 2-5 , 2-7 , 3-21 , 3-47 , 5-13 , 5-29 , 6-9 , 6-13 , 6-27 , 7-5  
Brake Kit, Parking, 2-15  
Brake, Parking, 2-15  
Breather, Hyd, 10 Mic, 2-131  
Breather, 4-11 , 4-13 , 4-23  
Brush Kit, Segmented -32 D-Flatwire, 2-3
- Brush Kit, Segmented -32 D-Poly&Wire, 2-3  
Brush Kit, Segmented -32 D-Poly, 2-3  
Brush Kit, Segmented -38 D-Poly&Wire, 2-3  
Brush Kit, Segmented -38 D-Poly, 2-3  
Brush Wrap, 2-11  
Brush-Main Sweep, 51Lg Strp Poly, 2-3  
Brush-Side Sweep -32D Flatwire, Side, 2-3  
Brush-Side Sweep -32D Poly, Side, 2-3  
Brush-Side Sweep -38D Poly, Vario, 2-3  
Brush-Side Sweep 32D Poly&Wire, Side, 2-3
- Brush-Side Sweep-38D Poly&Wire, Vario, 2-3  
Brush-Side Swp, 4 Segments-Flatwire, 2-3  
Brush-Side Swp, 4 Segments-Poly&Wire, 2-3  
Brush-Side Swp, 4 Segments-Poly&wire, 2-3  
Brush-Side Swp, 4 Segments-Poly, 2-3  
Bulb, GE (Brake/backup), 2-5  
Bulb, GE (Signal/tail), 2-5  
Bulb, GE (signal/tail), 2-5  
Bulb, 2-101  
Bumper, Engine Door, 2-23 , 2-27 , 2-69 , 2-73 , 2-131  
Bumper, Rbr, 2.0d 1.7t 0.34h, 3-17 , 3-19  
Bumper, Rear Rubber, 3-53  
Bumper, Rubber Recessed, 3-47  
Bumper, 3-17  
Bushing Support, 4-5  
Bushing, 1.125 X .875 X 3.00, 2-13, 2-15  
Bushing, 0.26b 0.50d, Nyl, White, 2-93 , 2-95  
Bushing, Engine Door Hinge, 2-5 , 2-7  
Bushing, Flng, 0.63b 0.82d 0.75l, Bnz, 3-76 , 3-77  
Bushing, Flng, 1.00b 1.13d 0.38l, 3-17  
Bushing, Flng, 1.00b 1.13d 1.00l, 3-17  
Bushing, Flng, 1.50b 1.65d .750l, 3-17  
Bushing, Flng, 1.50b 1.65d 1.00l, 3-17  
Bushing, Flng, 25b 28d 25l, 3-19  
Bushing, Gear, Idler, 5-15 , 6-15  
Bushing, Rear Support, 2-77  
Bushing, Sleeve, 0.50b 0.59d 0.95l, Fgl, 3-37  
Bushing, Sleeve, 0.88b 1.00d 0.75l, Bnz, 2-69 , 2-73  
Bushing, Sleeve, 12.3b 19.9d 55.9l, Ss, 3-13  
Bushing, Sleeve, 30mmb 40mmd 25mml, Bnz, 3-3  
Bushing, Sleeve, 3-3  
Bushing, 2-5 , 2-7 , 2-77 , 3-3 , 3-5 , 4-5 , 5-41 , 6-39 , 7-31  
Button, Plug, 1.25h .183 [Black Stl], 3-13  
Button, Plug, 0.50h Blind, [Black Stl], 3-13  
Button, Plug, 0.50h .03-.12 [Black Nyl], 2-101 , 3-39  
Button, Plug, 0.62h .03-.12 [Black Nyl], 3-39  
Button, Plug, 1.00H .03-.12 [Black Nyl], 2-99  
Button, Plug, 2-135  
Buzzer, 2-97
- C**
- Cable Assy, Arrow Stick, 3-65 , 3-67  
Cable, .06d, 12.0l, .26eye /.26eye, 3-19 , 3-45  
Cable, .06D, 12.0L, .26 Eye/.26 Eye, 2-143  
Cable, 3.96D, 109 L, M8-1.25/Plug, 3-17  
Cable, Brush Lift, 2-21  
Cable, Engine Speed, 2-23 , 2-27  
Cable, Hopper Door Hook, 2-77  
Cable, Power, 3-73  
Cable, Push-Pull, 2-103 , 3-43  
Cable, Ribbon, 20 Conductor, 2-107  
Cable, Ribbon, 34 Conductor, 2-107  
Cable, Rotary Control, 2-103 , 3-43  
Cable, 2-5 , 2-7 , 5-29 , 6-27  
Camshaft, W/ Key, 5-33  
Cap Screw, 4-5 , 4-9  
Cap, Bearing, Lower, 2-59 , 2-63  
Cap, Dust Coupling, Hyd, 2-141  
Cap, Dust, 4-11 , 4-21  
Cap, Filler, Oil, 5-9 , 6-9 , 7-5  
Cap, Fuel, Protectoseal, 3-52  
Cap, Nozzle, Spray, Nylon, 2-143  
Cap, Oil Filler, 4-25  
Cap, Radiator, 07psi, 2-37 , 2-39 , 2-41  
Cap, Spray Nozzle (Wet Dust Control), 2-2
- Cap, Tank, Fuel, Filler, 2-33 , 2-35  
Cap, 5-9 , 5-29 , 5-39 , 6-9 , 6-27 , 6-37 , 7-5  
Cart, Pilot Chk, 4-27  
Cart, Priority Cp, 4-31  
Cart, Psi Cn Cp, 4-27  
Catch, Strike, .44-14 X .75, G8, 2-87  
Chain Wldt, Brush, Cage, 2-9 , 2-11  
Chain, 1.654 Pitch. 92P Long, 2-60 , 2-63
- Chain, 2/0 13 Links, 2-9 , 2-11  
Chain, Rlr, 1.65 Pitch, 92 Pitches, 2-2  
Chain, Snap, 3-45  
Chain, Link#2/0, 11 Links, Zinc Pl, 2-11  
Chain, Link#2/08 5 Links, Br. Zinc, 2-111  
Chain, Rlr, 15 Pitches, 3-33  
Channel Weldt, Lower Support, 2-111 , 3-9
- Channel Wldt, Lower Support, 3-76  
Channel Wldt, 3-13  
Channel, Clamp, Hyd, 2-141  
Channel, 2-5 , 2-7  
Charge Pressure Relief Valve Kit, 4-5  
Check Valve Kit, 4-7  
Circlip, 4-13 , 4-17 , 4-23  
Circuitboard, Power Supply, 2-99  
Circuitboard, Diode / Timer, Vario, 2-99 , 3-29  
Clamp [Grease Jockey], 3-73  
Clamp, 1.25-2.12 Dia Power Gear, 3-57  
Clamp, 2.5 Muffler, 2-43 , 2-45 , 2-47  
Clamp, 6" Dia Bridge R.S., 3-49  
Clamp, 8 inch Air Cleaner, 2-51 , 2-53  
Clamp, Cable, Stl, 1.00d X 0.62w, 1h, 2-37  
Clamp, Cable, Stl, 1.25D X 1.00W, 1H, 2-143  
Clamp, Cable, 2-17  
Clamp, Dovetail, 2-93 , 2-95

Clamp, Gasket, Front, 2-77  
 Clamp, Hose, Spring, 50-60Mm, 2-39 , 2-41  
 Clamp, Hose, Wormdrive, 0.31-0.88d, .31w, 3-74  
 Clamp, Hose, Wormdrive, 0.31-0.88D, 3-23  
 Clamp, Hose, Wormdrive, 1.31-3.25D, 2-39 , 2-41  
 Clamp, Hose, Wormdrive, 1.56-2.50D, 2-39 , 2-41  
 Clamp, Hose, Wormdrive, 1.56-2.50d, 2-24  
 Clamp, Hose, Wormdrive, 1.81-2.75D, 2-37  
 Clamp, Hose, Wormdrive, 3.56-4.50d, .50w, 2-51 , 2-53  
 Clamp, Hose, Wormdrive, 5.56-6.50d, .56w, 3-45  
 Clamp, Hose, Wormdrive, 2-143  
 Clamp, Hose, 6-9 , 7-5  
 Clamp, Hyd, 0.75d, 2-141  
 Clamp, Injector, 5-29 , 6-27  
 Clamp, Muf 6-8 In, 2-45 , 2-47  
 Clamp, Muffler, 2.00d, 2-41  
 Clamp, Receiver, Dryer, 3-43  
 Clamp, S.s. Spring&screw 110mm, 2-51 , 2-53  
 Clamp, S.S., Spring & Screw, 65-75 Mm, 2-39 , 2-41  
 Clamp, S.S., Spring & Screw, 80-90 Mm, 2-39 , 2-41  
 Clamp, S.S., Spring & Screw, 75-85 Mm, 2-51 , 2-53  
 Clamp, Spring And Screw, 85-95 Mm, Ss, 2-49  
 Clamp, Wormdrive, 1.62-3.5OD, 2-49  
 Clamp, Wormdrive, 2-103 , 3-43  
 Clamp, Muf 6-8 In, 2-43  
 Clamp-Cable, 1.25Dia. 1.0Wth, 2-19  
 Clamp-Wormdrive, 0.25- 0.62D, 2-33 , 2-35  
 Clamp-Wormdrive, 0.31- 0.88D, 3-31  
 Clamp-Wormdrive, 1.56- 2.50D L, 2-33 , 2-35  
 Clamp-Wormdrive, 1.81- 2.75D, 2-33 , 2-35  
 Clamp, 2-33 , 2-35 , 3-45  
 Clevis & Spring Assy .188, 2-23 , 2-27  
 Clevis & Spring Assy .250, 2-23 , 2-27  
 Clevis Assy, Support, 3-5  
 Clevis Pin, 2-5 , 2-7  
 Clip (Not Shown), 6-27  
 Clip, Storage Plastic, 3-31  
 Clip, Finger Clip, Metal, 2-83 , 3-31  
 Clip, Finger Clip, 2-83  
 Clip, Pipe (not shown), 5-29  
 Clip, Pipe, 6-27  
 Clip, Window, 2-87  
 Clip, Finger Grip, 3-47 , 3-50  
 Clip, 3-37 , 5-13 , 5-29 , 5-43 , 6-13 , 6-27 , 6-41 , 7-21  
 Coil, 12V Cp, 4-27 , 4-29

Coil, 12vdc, 4-35  
 Coil, Air-Cond, Heater, 3-43  
 Coil, Condenser, 3-43  
 Coil, Heater, 2-103  
 Coil, 4-5  
 Collar, Split, 2.00b 3.00d .69w, Stl, 2-59 , 2-63  
 Column, Steering, 29.0l .81d 36tooth, 2-109  
 Compressor, Air-Cond, 3-43  
 Connector, Shutoff, Fuel, 2-23 , 2-27  
 Connector, Wire Lock, 3-71  
 Connector, 3-71  
 Console, Steering, 2-87  
 Control, Ez, Pump, Hyd, 4-5  
 Controlbox, Pre-Heat, 2-97  
 Controller Kit, Micro, Replmt [Sentinel], 2-107  
 Cooler Assy, Oil, 5-7 , 6-7  
 Cooler, Air, Turbo [Sentinel], 2-39 , 2-41  
 Cooler, Hyd, Turbo, 2-39 , 2-41  
 Cooler, Hyd, 2-37  
 Cooler, Oil, 5-7 , 6-7  
 Cotter Pin, 4-11 , 4-21  
 Coupler Body, .375F Brass, 3-31  
 Coupler Plug, .375M Ss, 3-31  
 Coupling Assy, Conveyor, 2-59  
 Coupling Kit, Flywheel [Cat 4.4 08], 2-28  
 Coupling, Motor Press Washer, 3-33  
 Coupling, Tank Fill Hose, 3-57  
 Coupling, Water, 2-143  
 Coupling, Chain, L.H Half, Keyed, 3-33  
 Cover Assy, Front, 5-15 , 6-15 , 7-9  
 Cover Assy, Gear, Timing, 5-11 , 6-11 , 7-7  
 Cover, Back, 2-97  
 Cover, Channel, Lh, 2-5 , 2-7  
 Cover, Door, Brush, Lh, 2-11  
 Cover, Door, Brush, Rh, 2-9  
 Cover, Filter, Assy, 2-87  
 Cover, Floor Plate, 3-39  
 Cover, Fltr, Bag, 2-79  
 Cover, Follower, 3-13  
 Cover, Heater, Lh, 2-91  
 Cover, Hub, 4-23  
 Cover, Latch, Handle, Lh, 2-95  
 Cover, Latch, Handle, Rh, 2-93  
 Cover, Line, Hyd, 2-77  
 Cover, Lower, Lh, 2-89  
 Cover, Lower, Rh, 2-89  
 Cover, Panl, Fuse, Cab [Sentinel], 2-99  
 Cover, Pump, 4-25  
 Cover, Steering Column, 3-39  
 Cover, Steering Wheel, 2-109  
 Cover, Top, 2-97  
 Cover, Upper, Lh, 2-89  
 Cover, Upper, Rh, 2-89  
 Cover, Valve, Inner, 2-135  
 Cover, Valve, Outer, 2-135  
 Cover, Valve, 5-9 , 6-9  
 Cover, 4-13 , 4-21 , 4-23 , 5-3 , 5-9 , 6-3 , 6-9 , 7-3 , 7-5  
 Cross Bearing Kit, 4-19

Cup Kit, 4-25  
 Cushion, Side Skids, 2-9 , 2-11  
 Cyl, Hyd, 2.0b, 19.0l, 12.0strk, 2500, 3-37  
 Cyl, Hyd, 2.5b, 27.3l, 17.7strk 3000, 2-81  
 Cylinder Anchor Pin, 4-11 , 4-21  
 Cylinder, Hyd S Br Lift, 3-9  
 Cylinder, Hyd, 1.5b 07.8l 01.60strk 3000, 3-21  
 Cylinder, Hyd, 1.5b 11.0l 02.94strk 3000, 2-77  
 Cylinder, Hyd, 1.5b 12.6l 05.10strk 3000, 2-21  
 Cylinder, Hyd, 1.5B, 11.0L, 02.90Strk, 3-19  
 Cylinder, Hyd, 1.8b 07.7l 01.70strk 3000, 2-111  
 Cylinder, Hyd, 2.0b 11.3l 04.00strk 3000, 2-67 , 2-69 , 2-73  
 Cylinder, Hyd, 2.0B, 15.5L, 07.50Strk, 3-17  
 Cylinder, Hyd, 2.0b, 30.0l, 19.25strk, 3000, 3-5  
 Cylinder, Hyd, 3.5b, 25.3l, 16.50strk, 3000, 3-5  
 Cylinder, Hydraulic, 4-11 , 4-21

**D**

DA Cartridge, 4-5  
 DA Control Kit, 4-7  
 Differential Cover, 4-15  
 Differential Flange, 4-15  
 Differential Housing, 4-15  
 Differential Pivot, 4-15  
 Diode, Bridge 12.0a, 2-99  
 Diode, Ele, Plug, 2-99  
 Diode, Electric Plug, 3-43  
 Dipstick, Oil [Sentinel 08], 2-27  
 Dipstick, 5-25 , 6-23  
 Disc Kit, Cplg, 2-59  
 Disc. Manifold, 4-25  
 Dischrg Quiet Vlv Kit, 4-25  
 Dolly Wldt, 3-13  
 Dome Light W/Map 12V, 2-101  
 Door Assy, Eng, Lh, 2-5 , 2-7  
 Door Assy, Eng, Rh, 2-5 , 2-7  
 Door Assy, Lh, 2-95  
 Door Assy, Rh, 2-93  
 Door Wldt, Lh, 2-95  
 Door Wldt, Rh, 2-93  
 Door Wldt, Vacuum Wand, 3-47  
 Door, Hppr, 2-77  
 Door, Weldt Vacuum Door, 3-47  
 Dowel, 5-3 , 6-3 , 7-3  
 Dowell Pin, 4-5  
 Drive Gear, 4-9  
 Drive, 4-8  
 Dryer, Air-Cond, 3-43  
 Duct Wldt, Intake, Air, 2-51  
 Duct, Air, 2-99  
 Dust Protector, 4-19

## CROSS REFERENCE

### E

Eccentric Screw, 4-5  
Elbow, Air Scoop, 2-51 , 2-53  
Elbow, Turbo, 2-51  
Element Assy, Filter, Fuel, 5-13 , 6-13  
Element, 8 inch Air Cleaner, 2-51 , 2-53  
Element, Filter Safety, 2-49  
Element, Fltr, Fuel [Cat#1r-1804], 2-2  
Element, Fltr, Oil (NA Engine), 2-2  
Element, Fltr, Oil (Turbo Engine), 2-2  
Element, Fltr, Oil, Hyd, 2-131  
Element, Safety, 2-51 , 2-53  
End Cap, 4-8  
Engine Access Step Kit, 3-58  
Engine Assy, DSL [Cat 83 Hp], 2-23  
Engine Assy, DSL, Turbo [Cat 127 Hp], 2-23  
Engine, Dsl, 99hp, Turbo [Cat 4.4 08], 2-27  
Extinguisher, Fire, 3-54  
Eyebolt, .50-13X3.5", 2-111 , 3-9 , 3-75

### F

Fan Kit, Eng, Turbo, Replmt [Sentinel], 2-30  
Fan, [Sickle], Eng, Turbo [Sentinel], 2-30  
Fan, Cooling, 24.0d, 7 Blade [Sentl 08], 2-31  
Fender, 2-5 , 2-7  
Filler, Neck, Fuel Tank, 2-33 , 2-35  
Filter Assy, Fuel, 3-Mic [Nelson91783a], 2-2  
Filter Assy, Fuel, Dsl, 2-33  
Filter Bag Assy, Hopper, 2-79  
Filter Bag Lifting Kit, 2-2  
Filter Element, Oil, 2-23 , 2-27  
Filter Element, Air Donaldson (NA Engine), 2-2  
Filter Element, Air Donaldson (Turbo Engine), 2-2  
Filter Element, Air Donaldson, 2-49  
Filter, 10 Micron, 4-27  
Filter, Air, Foam, 2-87  
Filter, Air, 2-87  
Filter, Bag [Sentinel], 2-79  
Filter, Cab Air Intake, 2-2  
Filter, Fuel, Element, 2-33  
Filter, Fuel, Spin-On [Nelson#85254f], 2-2  
Filter, Inline Strainer, 3-31  
Filter, Oil, Hyd 5mic 50 Gpm 145, 2-2  
Filter, Oil, Hyd 5 Mic 50 Gpm 145, 2-131  
Filter, Water, 50 Mesh, 2-143  
Fitting 4-4 Flo, 3-37  
Fitting, Brake Line, 2-17  
Fitting, Brakeline, 2-13  
Fitting, Brass, E90 02pm-.25-28sae, 3-73  
Fitting, Brass, E90 02pm-03com, 3-73  
Fitting, Brass, E90, 3-73  
Fitting, Brass, Str 02pm-03com, 3-73  
Fitting, Brass, Str 03com-.25-28sae, 3-73

Fitting, Brass, Tee, 3-73  
Fitting, Brass, Unijet 1/4 T, 3-23  
Fitting, Brass, Unijet Cap, 3-23  
Fitting, Brs, E90, Bm05/Pm04, 2-33 , 2-35  
Fitting, Brs, Str, Bm08/Pm04, 3-23  
Fitting, Brs, Str, Pm08/Pf06, 2-37 , 2-39 , 2-41  
Fitting, Brs, Str, BM08/PM04, 2-143  
Fitting, Brs, Str, Bm08/Pm04, 3-74  
Fitting, Brs, 6-27  
Fitting, Draincock, .25npt 90, 2-37  
Fitting, Draincock, E90 Pm06, 2-37 , 2-39 , 2-41  
Fitting, Draincock, E90, .25npt, 2-39 , 2-41  
Fitting, E90 Snap, 3-73  
Fitting, E90, 2-131  
Fitting, Ebow, Exhaust, 2-45  
Fitting, Elbow, 3-73  
Fitting, Flair, 6-27  
Fitting, Grease, E90 Pm04 .75l, 2-11  
Fitting, Grease, Str Pm02 . L, 2-59 , 2-63  
Fitting, Grease, Str Pm04 .63l, 2-9 , 2-11 , 3-3  
Fitting, Grease, 3-5  
Fitting, Hyd E90, 2-133  
Fitting, Hyd, .25brb / .25brb, 2-33  
Fitting, Hyd, Brb, 2-37 , 2-39 , 2-41  
Fitting, Hyd, Cap, 2-24  
Fitting, Hyd, E45 FM04/FF04, 3-37  
Fitting, Hyd, E45, Fm08/Om10, 3-21  
Fitting, Hyd, E45, Fm10/Fm10 Bh, 2-135  
Fitting, Hyd, E45, Om06/Fm06, 2-139  
Fitting, Hyd, E90, Ff06/Om06, 2-139  
Fitting, Hyd, E90, Fm04/Om06, 2-17 , 2-135 , 3-19  
Fitting, Hyd, E90, Fm06/Om04, 2-67 , 2-139  
Fitting, Hyd, E90, Fm06/Om06, 3-5  
Fitting, Hyd, E90, Fm06/Om10, 2-111 , 3-9  
Fitting, Hyd, E90, Fm08/Om08, 2-131  
Fitting, Hyd, E90, Fm08/Om10, 2-135  
Fitting, Hyd, E90, Fm10/Ff10, 2-59  
Fitting, Hyd, E90, Fm12/Om16, 2-133  
Fitting, Hyd, E90, Metric, Jf14/Jm [830], 3-37  
Fitting, Hyd, E90, Om04/Fm04, 2-69 , 2-73 , 2-139 , 3-17  
Fitting, Hyd, E90, Om04/Qm04, 2-139  
Fitting, Hyd, E90, Om06/ Fm06, 2-17 , 2-111 , 2-133 , 2-139 , 3-9 , 3-15  
Fitting, Hyd, E90, Om10/Fm10, 2-60 , 2-135  
Fitting, Hyd, E90, Om12/Fm12, 2-133 , 3-15  
Fitting, Hyd, E90, Om16/Fm16, 2-135  
Fitting, Hyd, Elbow, 2-137  
Fitting, Hyd, Orifice, 0.026, 3-19  
Fitting, Hyd, Orifice, 0.031, 2-21

Fitting, Hyd, Orifice, 0.040, 2-135 , 3-37  
Fitting, Hyd, Orifice, 0.047, 3-19  
Fitting, Hyd, Plug, Om02, 4-35 , 4-39  
Fitting, Hyd, Plug, Om04, 2-141 , 4-35 , 4-39 , 4-41 , 4-43  
Fitting, Hyd, Plug, Om06, 2-141  
Fitting, Hyd, Plug, Om12, 4-35  
Fitting, Hyd, Qdc Assy, Of06/Of06, 2-141  
Fitting, Hyd, Str Fm10/Om12, 2-141  
Fitting, Hyd, Str, Ff10/Fm06, 3-35  
Fitting, Hyd, Str, Fm04/Om06, 2-17 , 2-135 , 3-15 , 3-19 , 3-21  
Fitting, Hyd, Str, Fm06/Om04, 2-139  
Fitting, Hyd, Str, Fm06/Om06l, 2-135  
Fitting, Hyd, Str, Fm06/Om10, 3-15  
Fitting, Hyd, Str, Fm20/Om16, 2-133  
Fitting, Hyd, Str, Om M18/Fm08, 2-15  
Fitting, Hyd, Str, Om04/Fm04, 2-15 , 2-141  
Fitting, Hyd, Str, Om04/Qm04, 3-15  
Fitting, Hyd, Str, Om06/Fm06, 2-139 , 2-141 , 3-15  
Fitting, Hyd, Str, Om06/Fm08, 2-17 , 2-141 , 3-15  
Fitting, Hyd, Str, Om08/Fm08, 2-139 , 2-141  
Fitting, Hyd, Str, Om16/Fm16, 2-39 , 2-41 , 2-135  
Fitting, Hyd, Str, PM08/PM12, 2-143  
Fitting, Hyd, Tee, Fm06 /Fm06 /Om06, 2-141  
Fitting, Hyd, Tee, Fm06/Om06/Fm06, 3-9  
Fitting, Hyd, Tee, Fm10/Fm10/Om10, 3-35  
Fitting, Hyd, Tee, Fm12/Fm12/Ff12, 3-15  
Fitting, Hyd, Tee, Fm16/Om16/Fm16, 2-37 , 2-39 , 2-41  
Fitting, Hyd, Tee, Om04/Fm04/Fm04, 2-69 , 2-73  
Fitting, Hyd, Tee, Om06/Om06/Ff06, 2-67 , 2-139  
Fitting, Hyd, Tee, 2-17  
Fitting, Hyd., Str, Fm10/Om10, 2-135 , 3-15  
Fitting, Hyd, 2-81 , 2-137 , 3-5 , 3-37  
Fitting, Pipe, Cplg, Pf02 Full Black, 2-59 , 2-63  
Fitting, Pipe, E90, Pm06/Pf06, 2-37 , 2-39 , 2-41  
Fitting, Pipe, Str 02pm-.25-28sae, 3-73  
Fitting, Pipe, Str 02pm-02pf, 3-73  
Fitting, Pipe, Str, Pm02/Pm02 02.0l, Blk, 2-59 , 2-63  
Fitting, Plstc, E90, BM08/PM08, PP, 2-143  
Fitting, Plstc, E90, Bm08/Pm08, Pp, 3-23  
Fitting, Plstc, Str, Pm08/Pm08, 2-143 , 3-31  
Fitting, Plstc, Tee, Bm08/Bm08/Bm08, 3-23  
Fitting, Plstc, Tee, PM08/PM08/PM08, 2-143



Fitting, Plug, Org, #6, Valve, Cec, 4-35 , 4-39  
 Fitting, Plug, 3-73  
 Fitting, Qf, 3-73 , 3-74  
 Fitting, Special, 5-13 , 6-13  
 Fitting, Spray Water, 2-143  
 Fitting, Str, Nipple Npt, 3-73  
 Fitting, Str, 2-131 , 3-73 , 6-27  
 Fitting, str, 2-23 , 2-27  
 Fitting, Stud, 3-73  
 Fitting, Tee, 2-131  
 Fitting-Hyd, Str, 2-137  
 Fitting, 2-17  
 Flange, Driven, 4-13  
 Flange, Exhaust, 2-43 , 2-45 , 2-47  
 Flange, 4-11 , 4-21  
 Flasher, Hd, 12vdc 25a, [10-57300], 2-97  
 Flg, Mtg 2-Bolt, 4-8  
 Fluid, Conditioner, Coolant, 16oz (Mandatory), 2-37 , 2-39 , 2-41  
 Fluid, Hyd Oil, Lo Tp 5 Gal., 2-2  
 Flywheel, 2-23  
 Follower, Cam, 3-3 , 3-13  
 Frame Wldt [Sentinel 2008], 2-7  
 Frame Wldt [Sentinel], 2-5  
 Frame Wldt, Conveyor, 2-67  
 Front Axle Housing, 4-11  
 Front Housing, 4-15  
 Frontplate, 4-9  
 Ftg, Grease.12 Npt Strt .66L, 2-13 , 2-15  
  
 Ftg, Grease.25-28Th Strt .63L, 2-111 , 3-9  
 Ftg, Grease.25-28th Strt .63L, 2-83  
 Ftg, Grease, 2-77 , 2-81  
 Ftg, Hyd Cap, 2-139 , 2-141  
 Ftg, Nipple, Grease, 3-3  
 Ftg, Plstc E90, 3-31  
 Ftg,90El Galv .375X.50 F Npt, 3-31  
 Ftg,Nipple Galv .375Npt Close, 3-31  
 Ftg,Plstc,Elb,Barb.50Pt-.75Hse, 3-31  
 Ftg-Brs E45 Pm02/Pf02, 2-49 , 2-51 , 2-53  
 Ftg-Hyd Bleeder, 4, 2-13  
 Ftg-Hyd Sae Flange, 2-15 , 2-133  
 Ftg-Hyd Tee, 2-13  
 Ftg-Hyd, 6, 2-15  
 Ftg-Hyd, 6, 2-13  
 Ftg-Hyd, Bleeder,4, 2-15  
 Ftg-Hyd, E45, 3-31  
 Ftg-Hyd, E90 8, 3-31  
 Ftg-Hyd, E90, 2-13 , 2-15 , 2-21 , 2-23 , 2-27 , 2-77 , 2-85 , 2-133  
 Ftg-Hyd, Elbow, 4-6, 2-109  
 Ftg-Hyd, Elbow, 2-81  
 Ftg-Hyd, Plug, 2-23 , 2-27 , 3-33  
 Ftg-Hyd, Str 8-8, 3-31  
 Ftg-Hyd, Str 8, 3-31  
 Ftg-Hyd, Str, 2-15 , 2-19 , 2-21 , 2-77 , 2-85 , 2-109 , 2-133 , 3-31 , 3-35  
 Ftg-Hyd, Tee, 2-15 , 2-81 , 2-85 , 3-35  
 Ftg-Plug Npt 08Pm Sq Hd, 3-33

Ftg\_Hyd, E90, 2-133  
 Fuel Tank, 2-33 , 2-35  
 Fueline Assy, Cyl 1, 6-27  
 Fueline Assy, Cyl 2, 6-27  
 Fueline Assy, Cyl 3, 6-27  
 Fueline Assy, Cyl 4, 6-27  
 Fueline Assy, 5-13 , 5-29 , 6-13 , 6-27  
 Fueline Kit, Nyl, 2-33  
 Fuse, 10 Amp, 2-99  
 Fuse, 15 Amp, 2-99  
 Fuse, 20 Amp, 2-99 , 3-65 , 3-67  
 Fuse, 20Amp, 3-59  
 Fuse, 25amp, 2-99  
 Fuse, 30 Amp, 2-99  
 Fuse, 80a [Maxi], 2-99  
 Fuse, Velocity, 3-5  
 Fuse, 3-71

**G**

Gas Spring, 2-5 , 2-7  
 Gasket, Adapter, Fltr, Oil, 5-37 , 6-35  
 Gasket, Adaptor, Filter, Oil, 2-23 , 2-27  
 Gasket, Box, Instrument, 2-107  
 Gasket, Breather, Reservoir, 2-131  
 Gasket, Cap, Breather, Hyd, 2-131  
 Gasket, Cntrl Valve [Ez], 4-5  
 Gasket, Cover, Valve, 5-9 , 6-9 , 7-5  
 Gasket, Cover, 5-15 , 6-15 , 7-9  
 Gasket, Fire Switch, 2-77  
 Gasket, Head, 5-39 , 6-37  
 Gasket, Manifold, 6-43 , 7-33  
 Gasket, Taillight, 2-5  
 Gasket,Hopper Opening, 2-77  
 Gasket,Rear Hopper Door, 2-77  
 Gasket, 2-24 , 2-79 , 4-11 , 4-21 , 4-23 , 5-7 , 5-9 , 5-15 , 5-18 , 5-25 , 5-27 , 5-31 , 6-7 , 6-9 , 6-15 , 6-23 , 6-25 , 6-29 , 6-43 , 7-17 , 7-19 , 7-23 , 7-33  
 Gauge, Glycerin, 3-31  
 Gauge, Press, 2-131  
 Gauge, Sight, 2-131  
 Gear Assy, Idler, 5-15 , 6-15  
 Gear Assy, Ring And Pinion [13.6:1], 4-15  
 Gear, 44tooth, 5-3 , 6-3 , 7-3  
 Gear, Balancer, 17tooth, 5-3 , 6-3 , 7-3  
 Gear, Camshaft, 68tooth, 5-15 , 6-15 , 7-9  
 Gear, Cshaft, 34tooth, 5-35 , 6-33 , 7-27  
 Gear, Input, 4-17  
 Gear, Pump, Fuel, 6-27 , 7-21  
 Gear, Pump, 5-29  
 Gear, Shaft, 5-3 , 6-3 , 7-3  
 Gear, 3-15  
 Gerotor Assy, 4-8  
 Grease Zerk, 4-11 , 4-21  
 Grease, Anti-Corrosion Electrical, 2-2  
 Grease, Gen Purpose, Ep 35lbs 5 Gal. pail, 3-73  
 Grip, Handle-Rnd .72ld X 5.0L, 3-47 , 3-50  
 Grommet, 1.38h, 2-87

Grommet, Rbr, .500, .812, 1.062, .250, 2-93 , 2-95  
 Grommet, Rbr, 0.20id, F/0.4h, .12 Matl, 2-7  
 Grommet, Rbr, 0.38id, F/ 1.4h, .09matl, 3-61 , 3-63  
 Grommet, Rbr, 0.62id, F/ 0.9h, .12matl, 2-99 , 3-65 , 3-67  
 Grommet, Rbr, 0.89id, F/ 1.2h, .14matl, 2-99  
 Grommet, Rbr, 1.00id, F/ 1.4h, .12matl, 2-37 , 2-39 , 2-41  
 Grommet, Ribbon Cable, 2-107  
 Grommet, Turn Signal, 2-101  
 Grommet,Rbr,0.38ld,For .19Matl, 3-59  
 Grommet, 2-5 , 2-7 , 3-71  
 Guard Wldt, 3-13 , 3-17  
 Guard, Light, Rotating, 3-61 , 3-63  
 Guard, Motor, 2-85  
 Guard, Pump Coupling, 3-33  
 Guard, Wire, Vario Brush, 3-19  
 Guide, Chain, Steel, 2-67  
 Guide, Conveyor Chain, 2-2  
 Guide, Valve, Intake, 5-39 , 6-37  
 Guide,Cam Roller,Lh, 3-3  
 Guide,Cam Roller,Rh, 3-3  
 Guide,Cam Roller,Up, 3-3

**H**

H.P.R.V. with Tow Option (4000-6100 psi), 4-5  
 Handle Weldt.,Sludge Removal, 3-50  
 Handle, Container, Rear, 2-57  
 Handle, Door, Ext, 2-93 , 2-95  
 Handle, Grab, 3-58  
 Handle, High Pressure Spray, 3-31  
 Handle, 2-57  
 Harness, Hopper Lift, 2-178 , 2-199  
 Harness, Main [Sentinel 08], 2-199  
 Harness, Wire, Cab, 2-178 , 2-199  
 Harness, Wire, Hopper, [Sentinel], 2-178 , 2-199  
 Harness, Wire, Main [Sentinel], 2-178  
 Harness, Wire, Vario Cntrl, 3-29  
 Harness, Wire, Vario, 3-29  
 Headlight, Assy, 2-101  
 Hex Scr M12, 2-23 , 2-27  
 Hinge, .31pin .15, Offset, 3.5l 4/0.34h, 3-47  
 Hinge, 3-43  
 Hode, Hyd,Tc 10, Ff10str /Ff10e90 ,114.0, 2-123  
 Hook, Door Release, 2-77  
 Hook, Threaded M20x10, 2-21  
 Hopper (Painted GM White), 2-77  
 Hopper Assy [Sentinel], 2-77  
 Hopper Cleanout Kit, 3-50  
 Hopper Support, Lower, 2-83  
 Hopper Support, Upper W/Label, 2-83  
 Hopper up Alarm, 2-77  
 Horn, 12V, 2-5 , 2-7  
 Hose .25 .ID, 2-33 , 2-35

## CROSS REFERENCE

Hose Assembly, Pressure Wash, 3-31	Hose, Hyd,Tc 04, Ff04Str /Ff04E45 , 14.0, 3-25	Hose, Hyd,Tc 06, Ff06str /Ff06e90 , 64.0, 3-41
Hose Assy, 3-56	Hose, Hyd,Tc 04, Ff04str /Ff04e45, 55.0, 2-123	Hose, Hyd,Tc 06, Ff06str /Ff06e90 , 77.0, 3-7
Hose Kit, Hyd [830-iii Cab Tilt], 3-37	Hose, Hyd,Tc 04, Ff04str /Ff04e90 , 18.0, 2-123	Hose, Hyd,Tc 06, Ff06str /Ff06e90 , 82.5, 2-119 , 2-127
Hose, 2.00id X 2.38d [Sentinel 08], 2-41	Hose, Hyd,Tc 04, Ff04Str /Ff04E90 , 19.0, 3-25	Hose, Hyd,Tc 06, Ff06str /Ff06e90 , 86.0, 2-119
Hose, 6" Dia x 150 R.S., 3-49	Hose, Hyd,Tc 04, Ff04str /Ff04e90 , 34.5, 3-37	Hose, Hyd,Tc 06, Ff06str /Ff06e90 , 101.5, 2-119
Hose, Afrmkt Replmt, Pvc, Brd 0.50id 20ft, 3-23	Hose, Hyd,Tc 04, Ff04Str /Ff04E90 , 55.5, 3-25	Hose, Hyd,Tc 06, Ff06str /Ff06e90 , 148.0, 2-123
Hose, Afrmkt, Pvc, Brd, 0.50id, 01ft, Clr, 3-23	Hose, Hyd,Tc 04, Ff04str /Ff04e90 , 62.0, 2-123	Hose, Hyd,Tc 06, Ff06Str /Ff06E90 , 161.0, 3-25
Hose, Afrmkt, Pvc, Wir, 0.50id, 01ft, Clr, 3-23	Hose, Hyd,Tc 04, Ff04str /Ff04e90 , 94.0, 2-123	Hose, Hyd,Tc 06, Ff06str /Ff06e90 , 190.0, 3-41
Hose, Breather, Crankcase, 6-9 , 7-5	Hose, Hyd,Tc 04, Ff04str /Ff04e90, 26.0, 2-119	Hose, Hyd,Tc 06, Ff06str /Ff06e90 , 198.0, 3-7
Hose, Fuel, .31id 24.0l, 2-33 , 2-35	Hose, Hyd,Tc 04, Ff04str /Ff04str , 26.0, 2-119	Hose, Hyd,Tc 06, Ff06str /Ff06e90 , 265.0, 2-127
Hose, Fuel, .31id 39.0l, 2-33 , 2-35	Hose, Hyd,Tc 04, Ff04str /Ff04str , 39.0, 2-127	Hose, Hyd,Tc 06, Ff06str /Ff06str , 18.0, 2-119
Hose, Heater, 2-103 , 3-43	Hose, Hyd,Tc 04, Ff04str /Ff04str , 90.0, 2-129	Hose, Hyd,Tc 06, Ff06str /Ff06str , 25.5, 2-119
Hose, Hyd, Tc04, Ff04str/Ff04str, 085.0, 2-123	Hose, Hyd,Tc 04, Ff04str /Ff04str , 96.0, 2-129	Hose, Hyd,Tc 06, Ff06Str /Ff06Str , 62.0, 3-11
Hose, Hyd,Med06, Ff06str /Ff06e90l,100.0, 2-121	Hose, Hyd,Tc 04, Ff04str /Ff04str , 125.5, 2-129	Hose, Hyd,Tc 06, Ff06str /Ff06str , 62.0, 2-127
Hose, Hyd,Med06, Ff06str /Ff06str , 32.0, 2-123	Hose, Hyd,Tc 04, Ff04str /Ff06e90 , 118.0, 2-129	Hose, Hyd,Tc 06, Ff06Str /Ff06Str , 66.0, 3-11
Hose, Hyd,Med06, Ff06str /Ff06str , 68.0, 2-123	Hose, Hyd,Tc 04, Ff04Str/Ff04E90, 15.0, 3-25	Hose, Hyd,Tc 06, Ff06str /Ff06str , 77.0, 2-119
Hose, Hyd,Med06, Ff06Str /Ff06Str , 98.0, 3-25	Hose, Hyd,Tc 04, Ff06str /Ff04e45 , 14.5, 3-7	Hose, Hyd,Tc 06, Ff06str /Ff06str , 83.0, 2-119
Hose, Hyd,Med06, Fm06strb/Ff06e90 ,184.0, 2-125	Hose, Hyd,Tc 04, Ff06Str /Ff04E45 , 17.0, 3-25	Hose, Hyd,Tc 06, Ff06str /Ff06str , 88.5, 2-127
Hose, Hyd,Med08, Ff08str /Ff08e45 , 62.0, 2-127	Hose, Hyd,Tc 04, Ff06str /Ff04e45 , 23.5, 3-7	Hose, Hyd,Tc 06, Ff06Str /Ff06Str , 94.0, 3-25
Hose, Hyd,Med08, Ff08str /Ff08e90 , 24.0, 2-127	Hose, Hyd,Tc 04, Ff06str /Ff06e45 , 173.0, 3-7	Hose, Hyd,Tc 06, Ff06Str /Ff06E90 , 244.5, 2-121
Hose, Hyd,Med08, Ff08str /Ff08e90 , 148.0, 2-123	Hose, Hyd,Tc 04, Jf04E45 /Ff04Str, 252.0, 2-121	Hose, Hyd,Tc 06, Ff08Str, Ff06E90 , 82.0, 3-25
Hose, Hyd,Med10, Ff10Str /Ff12E45 , 25.0, 3-25	Hose, Hyd,Tc 04, Jf04str /Ff06e90 , 50.0, 2-121	Hose, Hyd,Tc 08, Ff08str /Ff08e45 , 57.0, 2-125
Hose, Hyd,Med12, Ff12str /Ff12e90 , 31.0, 2-125	Hose, Hyd,Tc 06, Ff06e90 /Ff06e90 , 21.5, 2-119	Hose, Hyd,Tc 08, Ff08str /Ff08e90 , 77.0, 2-129
Hose, Hyd,Med12, Ff12str /Ff12e90 , 70.0, 2-127	Hose, Hyd,Tc 06, Ff06str /Ff06e45 , 72.0, 2-127	Hose, Hyd,Tc 10, Ff10str /Ff10e90 , 18.0, 2-125
Hose, Hyd,Med12, Ff16str /Ff12e90 , 50.0, 2-127	Hose, Hyd,Tc 06, Ff06str /Ff06e90 , 14.0, 2-127	Hose, Hyd,Tc 10, Ff10str /Ff10e90 , 36.0, 2-123
Hose, Hyd,Med16, Ff16str /Ff16e45 , 62.0, 2-123	Hose, Hyd,Tc 06, Ff06str /Ff06e90 , 20.0, 2-119	Hose, Hyd,Tc 10, Ff10str /Ff10e90 , 49.0, 2-119
Hose, Hyd,Med16, Ff16str /Ff16e90 , 84.0, 2-123	Hose, Hyd,Tc 06, Ff06Str /Ff06E90 , 21.0, 2-121	Hose, Hyd,Tc 10, Ff10Str /Ff10E90 , 51.0, 2-123
Hose, Hyd,Med16, Ff16str /Ff16e90 , 106.0, 2-123	Hose, Hyd,Tc 06, Ff06str /Ff06e90 , 21.0, 2-127	Hose, Hyd,Tc 10, Ff10Str /Ff10E90 , 71.0, 2-123
Hose, Hyd,Med20, Ff20e45 /Ff16e90 , 50.0, 2-125	Hose, Hyd,Tc 06, Ff06str /Ff06e90 , 44.0, 2-127	Hose, Hyd,Tc 10, Ff10str /Ff10e90 , 71.0, 2-119 , 2-127
Hose, Hyd,Med20, Ff20str /Ff16e90 , 60.0, 2-125	Hose, Hyd,Tc 06, Ff06Str /Ff06E90 , 59.5, 2-121	Hose, Hyd,Tc 10, Ff10str /Ff10e90 , 82.0, 2-119
Hose, Hyd,Suc12, Ff12str /Ff12e90 , 56.0, 2-125	Hose, Hyd,Tc 06, Ff06str /Ff06e90 , 62.5, 2-123	Hose, Hyd,Tc 10, Ff10str /Ff10e90 , 114.0, 2-123
Hose, Hyd,Suc12, Ff12Str /Ff12E90 , 94.0, 3-25		
Hose, Hyd,Suc20, Ff20e90 /Ff20e90 , 28.s, 2-125		
Hose, Hyd,Suc20, Ff20str /Ff20e90 , 31.0, 2-125		
Hose, Hyd,Tc 04 Ff04str /Ff04e90 , 42.0, 2-123 , 2-127		
Hose, Hyd,Tc 04, Ff04e90 /Jf04e45 , 204.0, 3-41		

Hose, Hyd,Tc 10, Ff10str /Ff10e90 ,154.5, 3-7  
 Hose, Hyd,Tc 10, Ff10str /Ff10e90 ,184.0, 3-7  
 Hose, Hyd,Tc 10, Ff10str /Ff10e90m,124.5, 2-119  
 Hose, Hyd,Tc 10, Ff10str /Ff10str , 21.0, 2-119  
 Hose, Hyd,Tc 10, Fm10str/Ff10str ,187.0, 2-127  
 Hose, Hyd,Tc 16, Ff16str /Ff16e45 , 42.0, 2-123  
 Hose, Hyd,Uhi12, F 12e90 /F 16e90 , 90.0, 2-129  
 Hose, Hyd,Uhi12, F 12str /F 16e90 , 80.0, 2-129  
 Hose, Hyd, 2-23 , 2-27 , 2-127 , 3-35  
 Hose, Intake, 3.75id .25w 5.0l, 2-53  
 Hose, Mold, Intake, Air, [N/A], 2-49  
 Hose, Overflow, Radiator, 2-37 , 2-39 , 2-41  
 Hose, Poly Wire, .75ID, 2-143  
 Hose, Pvc, Brd, 0.50id 0.73od, 2-143  
 Hose, Pvc, Brd, 0.50id 0.73od 060.0l,Clr, 3-74  
 Hose, Radiator, Lower, Turbo, 2-39 , 2-41  
 Hose, Radiator, Lower, 2-37  
 Hose, Radiator, Upper, Turbo, 2-39 , 2-41  
 Hose, Radiator, Upper, 2-37  
 Hose, Reducer, Air-Clnr, 2-51 , 2-53  
 Hose, Str, Filter, Air, 2-49  
 Hose, Turbo, 3.0 Dia, 2-39 , 2-41  
 Hose, Vyl, Brd, 0.50id Nylon, 3-31  
 Hose, Water, 2-143 , 3-31  
 Hose,Ac, 3-43  
 Hose,Fuel Fill 2.25X3.75In Lg, 2-33 , 2-35  
  
 Hose,Water Fill, 3-57  
 Hose, 2-13 , 2-17 , 3-45 , 6-27  
 Housing Assy, 5-22 , 5-37 , 6-20 , 6-35 , 7-13 , 7-29  
 Housing, Blower, 2-105  
 Housing, Brg, 2-59 , 2-63  
 Housing, Flywheel, 2-23 , 2-27  
 Housing, Front, 5-15 , 6-15  
 Housing, Steering, 4-13 , 4-21 , 4-23  
 Housing, 4-5 , 4-7 , 4-8  
 Hsng Bolt Kit, 2-24  
 Hub Assy, Front W/Brake, 4-13  
 Hub Weldt,Side Brush, 2-111 , 3-9  
 Hub, Brake, 4-13 , 4-23  
 Hub, Brush, 3-21  
 Hub, Gear, Idler, 5-15 , 6-15  
 Hub, Sprkt, 2-59 , 2-63  
 Hub, Wheel, 4-13 , 4-23  
 Hyd Hose, 2-131

**I**

Idler Gear, 4-9  
 Impeller, Intake, 2-85  
 Injector Assy, Fuel, 5-29 , 6-27  
 Innertube, 7.00 X 12, [Tr440], 2-13 , 2-15

Insert, M8 X 1.25, 3-39  
 Insert, Valve, Exhaust, 5-39 , 6-37  
 Insert, Valve, Inlet, 5-39 , 6-37  
 Instr, Repair, Scu, 4-33  
 Insulation, Acstc, Console, 2-99  
 Insulation, Acstc, Rear, Lh, 2-89  
 Insulation, Acstc, Rear, Rh, 2-89  
 Insulation, Acstc, Upper, Lh, 2-89  
 Insulation, Acstc, Upper, Rh, 2-89  
 Insulation, Acstc, Vacfan, 2-85  
 Insulation, Acstc, 2-91  
 Insulation, Thermal, 2-51  
 Intake, Air, 90, 2-49  
 Isolator, Cab, Rear, 2-5 , 2-7  
 Isolator, Mtg, Fan, Side, 2-23 , 2-27  
 Isolator, Mtg, Flywheel, Orange, 2-23 , 2-27  
 Isolator, Taillight, 2-5  
 Isolator, Vib, Ring, 1.0DD .25, 2-39 , 2-41  
 Isolator-Vibration .25-20, 2-37  
 Isolator, 3-43

**J**

Jack Kit, Cab, Ci, 3-37  
 Jam Nut, 4-5  
 Joint, U, Dbl, 4-19  
 Joystick, Third Brush, [Burgess], 3-23

**K**

Key, 5mm, 4-25  
 Key, Door, Cab [Sentinel], 2-93 , 2-95  
 Key, Door, Eng, 2-5 , 2-7  
 Key, Ignition Switch, 2-109  
 Key, Rt, 14Mm X 09Mm X 50Mm L, 2-59  
 Key, Rt, 14MmX09, 2-63  
 Key, Sq, 0.50 X 2.00l, 2-59  
 Key, Switch, Ignition, 2-109  
 Key, Woodruff, 5-15 , 5-35 , 6-15 , 6-33 , 7-25  
 Key-5Mm, 3-33  
 Key-Wdruff 0.25 1.00 Asa#0808, 4-8  
 Key, 4-9  
 Kit, Brg, Cshft, .25mm, 5-35 , 6-33 , 7-27  
 Kit, Brg, Cshft, .50mm, 5-35 , 6-33 , 7-27  
 Kit, Brg, Cshft, .76mm, 5-35 , 6-33 , 7-27  
 Kit, Brg, Main, 5-35 , 6-33 , 7-27  
 Kit, Brg, Rod, .25mm, 5-35 , 6-33 , 7-27  
 Kit, Brg, Rod, .50mm, 5-35 , 6-33 , 7-27  
 Kit, Brg, Rod, .76mm, 5-35 , 6-33 , 7-27  
 Kit, Brg, Rod, Std, 5-35 , 6-33 , 7-27  
 Kit, Cartridge, Control, Psi, 4-39  
 Kit, Ci, Linkage, Brush, Side, 2-3 , 3-76 , 3-77  
 Kit, Cplg, Flywheel, 2-24  
 Kit, Cshft, 5-35 , 6-33 , 7-27  
 Kit, Cv Joints, 4-19  
 Kit, Dipstick, 2-23  
 Kit, Discs, Brake, 4-13 , 4-23  
 Kit, Fan, 20.0 (NA), 2-30  
 Kit, Fastener, Exhaust, 5-19

Kit, Lift, Eng, 5-17 , 6-17  
 Kit, Link, Connecting, 2-87  
 Kit, Plate, Mtg, Pump, 2-24  
 Kit, Repair, Inside Attmnt, 2-60 , 2-63  
 Kit, Repair, Outside Attmnt, 2-60 , 2-63  
 Kit, Ring, Piston, 5-41 , 6-39  
 Kit, Seal, Brake, 4-13 , 4-23  
 Kit, Seal, Cartridge, 4-35 , 4-37 , 4-39  
 Kit, Seal, Cyl, Hyd, 2-111 , 3-9  
 Kit, Seal, Hyd Motor, 4-9  
 Kit, Seal, Valve, Hyd [Cec], 4-35 , 4-37  
 Kit, Seal, Valve, Hyd [Cec], 4-39  
 Kit, Seal, Valve, 4-39  
 Kit, Seal, 2-133  
 Kit, Seat, Suspension, Passenger, 2-99  
 Kit, Side Brush Spring, 2-3  
 Kit, Speed Reducer Gear Set, 4-15  
 Kit, Switch, 2-99  
 Knob, Ball, 1.25d 0.38-16 Plstc, 2-109  
 Knob, Star, 1.96D 4Ear 1.30L 0.33B, 2-143  
 Knob, Star, 1.96d 4ear 1.30l 0.33b, 3-23  
 Knob, Switch, 2-103 , 3-43

**L**

Label [Sentinel], 2-200  
 Label Set, Cab, Lh, 3-39  
 Label Set, Opertnl [Sentinel 2008], 2-200  
 Label Set, Switches, 3-63  
 Label, Blank, 08.5 X 11.0 Clr Poly, 3-73  
 Label, Info, [Tire Pressure], 2-200  
 Label, Instr, Tilt, Cab, 2-200 , 3-37  
 Label, Oil Fill, 2-24  
 Label, Set, Info & Hazard, 2-200  
 Label, Slow Moving Vehicle, 2-200  
 Label, Striping, Blk, 2-87  
 Label, Tennant Logo- 10.0 Blue, 2-200  
 Label, Tennant Logo, 2-200  
 Label,Tennant Logo, 2-200  
 Lamp #4, 2-101  
 Lamp, 12vdc, 55watt, Halogen, [H1], 3-61  
 Lamp, Flood, Halogen, 3-59  
 Lamp, Halogen, 12vdc, 3-65 , 3-67  
 Lamp, Warning, 2-99  
 Lance, Dual, 3-31  
 Latch Wldt, 3-13  
 Latch, Cover, Access, 2-99  
 Latch, T Handle, 2-5 , 2-7  
 Leg Assy, Lower W/Label, 3-3  
 Leg Assy, Upper W/Label, 3-3  
 Lens, Amb, Light, Revl, 3-61  
 Lever Assy, 5-43 , 6-41  
 Lever, Release, Int, Lh, 2-95  
 Lever, Release, Int, Rh, 2-93  
 Lever, Steering, Lower, Lh, 4-21  
 Lever, Steering, Lower, 4-21  
 Lever, Steering, Upper, Rh, 4-21  
 Lever, Throttle Contrl, 2-97  
 Lift Kit, Filter Bag, 3-55  
 Light Kit, Arrow, Ci, W/ Revl Light, 3-67  
 Light Kit, Arrow, Ci, W/O Revl Light, 3-65  
 Light Kit, Halogen Night, 3-59

## CROSS REFERENCE

Light Kit, Revl, Amb, Ci [Sentinel], 3-61  
Light Kit, Strobe, Amb, Ci [Sentinel], 3-63  
Light, Arrow Stick, 8 Lamp [Whelen], 3-65 , 3-67  
Light, Halogen Flood, 3-59  
Light, Panl, 12vdc, Clr, 1.5d, 2-77  
Light, Revl, Halogen, Amb, 3-61  
Light, Side Mrkr, Sig, Ambr, 12vdc, 2-5 , 2-7  
Light, Signal, Amber, 2-101  
Light, Strobe, Amb [Whelen 2022], 3-63  
Lighter, Cigarette, 12Vdc, 2-97  
Link Wldt, Push, 2-69 , 2-73  
Link, Rlr.Chain, 3-33  
Link, Upper, 2-69 , 2-73  
Link, 2-67  
Locating Pin, 4-5  
Lock Nut, D.25, 4-15  
Louver, Adj, Heat-A/C, 2-91 , 2-99  
Louver, Vent, 2-87  
Lug Nut, Flanged, 2-13 , 2-15

### M

Magnetic Plug, 4-11  
Manifold, Exhaust, 5-18 , 6-43  
Manifold, Water, 2-143  
Manual Op/Mt Sentinel French, 3-78  
Manual Op/Mt Sentinel Spanish, 3-78  
Manual Pkg Sentinel, 3-78  
Manual, Cd-rom, Service, [Sentinel Dsl], 3-78  
Manual, Service Info [Sentinel], 3-78  
Mat, Floor, Lh, 2-91  
Mat, Floor, Side, Rh, 2-91  
Mat, Floor, 2-9  
Mirror, Convex, 08.0d, 2-93 , 2-95  
Mirror, Convex, 2-93 , 2-95  
Molding, Rigid, 2-5 , 2-7  
Molding, Trim 7.5 Ft, 3-31  
Molding, Trim, Pvc, .00-.06 19.9l, 2-135  
Molding, Trim, Pvc,.08-.11 07.7L, 2-39 , 2-41  
Molding, Trim, Pvc,.08-.11 07.7l, 2-37  
Motor Assy, 12vdc, Blower, Lh, 2-105  
Motor Assy, 12vdc, Blower, Rh, 2-105  
Motor, Ele, Wiper, 12vdc Deg, 2-87 , 3-39  
Motor, Hyd High Press Sprayer, 3-33  
Motor, Hyd Shaker W/End Ports (See Breakdowns), 2-77  
Motor, Hyd Shaker W/End Ports, 4-8  
Motor, Hyd Vac Fan (See Breakdowns), 2-85  
Motor, Hyd, Gear [In] 02.2 B 2250, 3-15  
Motor, Hyd, Gear, [In] 11.9 B 3000, 2-111 , 3-9 , 3-21  
Motor, Hyd, Gear, [In] 14.9 B 3000, 2-19  
Motor, Hyd, Gear, [In] 24.2 B 2750, 2-60  
Motor, Hyd, Gear, Int 19.2 2900, 2-60  
Motor, Hyd, Rebuilt, F/762136, (See Breakdowns), 2-15  
Motor, Hyd, Vacfan 1.02 Cid, 4-9

Motor, Hyd, Vacfan, 1.06 [Cid], 2-85  
Motor, Piston, (See Breakdowns), 2-15  
Motor, Piston, Rexroth, 4-7  
Mount Plate W/Bolts, 2-24  
Mount Wldt, Pulley, 2-21  
Mount,Frame,Rear Lh, 3-3  
Mount,Frame,Rear Rh, 3-3  
Muffler, 2-43 , 2-45 , 2-47

### N

Nipple, .50M X .75B, 2-143  
Nipple, .50Mx.50B, 3-31  
Nozzle Kit, Spray, Windshield, 2-87  
Nozzle, High Pressure, 3-31  
Nozzle, Jet, Piston Cooling, 5-37 , 6-35  
Nozzle, Lo Pressure, 3-31  
Nozzle, Rubber, Vac Wand, 3-45  
Nozzle, Spray Water, 2-143  
Nozzle, Spray, Water, 3-23  
Nozzle, Water Spray (Wet Dust Control), 2-2  
Nozzle, 5-29  
Nut HxLocNylN .50-13 Std., 3-75  
Nut HxLocNylN M12X1.75, 3-75  
Nut, .25-20, 2-93 , 2-95  
Nut, Brake, M16x1.5, 2-13 , 2-17  
Nut, Brass 03com, 3-73  
Nut, Brass 05com, 3-73  
Nut, Cart, Valve, Hyd Cec, 4-35 , 4-37  
Nut, Cart, Valve, Hyd Cec, 4-39  
Nut, Cartridge [Cp], 4-35  
Nut, Cartridge, 4-35  
Nut, Clinch, .31-18, G8, 2-93 , 2-95  
Nut, Clinch, .38-16, G5, 2-89 , 2-91  
Nut, Clinch, .44-14, G5, 2-87  
Nut, Coil, F/#8, 4-41 , 4-43  
Nut, Coil, 4-35 , 4-37 , 4-39  
Nut, Dome, Hex, .38, Nyl, Blk, 2-91  
Nut, Hex Lock M08, 2-37  
Nut, Hex, Flng, M08 X 1.25, 2-143  
Nut, Hex, Flng, M8 X 1.25, 3-19  
Nut, Hex, Jam M20 X 2.5, 3-3  
Nut, Hex, Jam, M12 X 1.75, [Din439], 2-111  
Nut, Hex, Lock, .38-16, NI, Thin, 2-13 , 2-15  
Nut, Hex, Lock, .38-16, NI, 2-43 , 2-45 , 2-47  
Nut, Hex, Lock, .50-13, NI, 3-9 , 3-19 , 3-37  
Nut, Hex, Lock, M 4 X 0.7, NI, 2-99  
Nut, Hex, Lock, M 6 X 1.0, NI, 2-33 , 2-35 , 2-97 , 2-135 , 3-19  
Nut, Hex, Lock, M 8 X 1.25 NI, 3-3  
Nut, Hex, Lock, M 8 X 1.25, NI, Ss, 3-21  
Nut, Hex, Lock, M 8 X 1.25, 3-5  
Nut, Hex, Lock, M06 X 1.0, NI, 2-37  
Nut, Hex, Lock, M06x1.0, 3-71  
Nut, Hex, Lock, M10 X 1.5, NI, Ss, 3-17  
Nut, Hex, Lock, M10 X 1.5, NL, 2-143  
Nut, Hex, Lock, M10 X 1.5, NI, 2-17 , 3-17 , 3-19 , 3-37  
Nut, Hex, Lock, M12 X 1.75, NI, Ss, 3-9  
Nut, Hex, Lock, M12 X 1.75, NI, Ss, 3-13  
Nut, Hex, Lock, M12 X 1.75, NI, 2-57 , 2-59 , 2-63 , 2-67 , 2-69 , 2-73 , 2-141 , 3-9 , 3-15 , 3-17 , 3-21 , 3-37  
Nut, Hex, Lock, M16 X 2.0, NI, 2-69 , 2-73 , 2-111 , 3-9 , 3-21  
Nut, Hex, Lock, M20 X 2.5, NI, 2-21 , 3-21  
Nut, Hex, Lock, M4 X 0.7, NI, 3-47  
Nut, Hex, Lock, M5 X 0.8, NI, 3-47  
Nut, Hex, Lock, M5 X 0.80, NI, 3-37  
Nut, Hex, Lock, M6 X 1.0, NL, 2-143  
Nut, Hex, Lock, M6 X 1.0, NI, 2-11 , 2-57 , 3-17 , 3-45 , 3-47 , 3-63 , 3-65 , 3-67  
Nut, Hex, Lock, M6 X 1.0, Ss, NI, 2-9 , 2-11  
Nut, Hex, Lock, M6 X 1.00, NI, 2-7 , 2-145  
Nut, Hex, Lock, M8 X 1.25, NI, 2-9 , 2-11 , 2-37 , 2-39 , 2-41 , 2-49 , 2-51 , 2-53 , 2-57 , 2-63 , 2-69 , 2-73 , 2-89 , 2-99 , 3-17 , 3-47 , 3-69  
Nut, Hex, SltD, M12 X 1.75, 3-17  
Nut, Hex, Std, .25-20, 2-37  
Nut, Hex, Std, .50-13, 3-19  
Nut, Hex, Std, M08 X 1.25, 2-43 , 2-45 , 2-47 , 3-17  
Nut, Hex, Std, M10 X 1.5, 2-69 , 2-73  
Nut, Hex, Std, M12 X 1.75, 2-9 , 2-23 , 2-27 , 2-69 , 2-70 , 2-73 , 2-74 , 2-131  
Nut, Hex, Std, M16 X 2.0, 2-64 , 2-69 , 2-73 , 3-19  
Nut, Hex, Std, M20 X 2.5, 8, 2-5 , 2-7  
Nut, Hex, Stover, M10 X 1.5, 2-63 , 3-43  
Nut, Hex, Stover, M12 X 1.75, 2-111 , 3-9 , 3-77  
Nut, Hex, 2-107  
Nut, Jam, .38-24, 5-43 , 6-41  
Nut, Jam, 3-5  
Nut, Lh, 4-11 , 4-21  
Nut, Lock, Ny, 3-3  
Nut, Lug, Flanged, 4-23  
Nut, M10, 6-43 , 7-33  
Nut, M18x1.5, 4-11 , 4-21  
Nut, M8 X 1.25, 5-25 , 5-29 , 6-23 , 6-27 , 7-17 , 7-21  
Nut, Rh, 4-11 , 4-21  
Nut, Self Lock M8, 4-11 , 4-21  
Nut, Slot, Pump, Hyd, Gear, 3-9  
Nut, Splc, Extended (Required with water tank), 2-5 , 2-7  
Nut, Special U-Bolt, .75 Deep, 2-13 , 2-15  
Nut, Steering Wheel, 2-109  
Nut, U, M06 X 1.0, 2-99 , 2-135  
Nut, U, M06-1.0, 2-145  
Nut, U, M08-1.25, 2-145  
Nut, Wheel, Flng, 4-13  
Nut-Hxlocnyln M16x2.0 Reg Pltd, 2-19

Nut, 4-13 , 4-15 , 4-23 , 4-27 , 4-29 ,  
4-31 , 5-3 , 5-25 , 6-3 , 6-23 , 6-27  
, 7-3  
Nyloc M12, 2-23 , 2-27

**O**

O Ring Seal, 2-107  
O-Ring Kit, Seal Lok, 2-2  
O-Ring, 2-133  
Oil, Crankcase (For 1 oil change), 4-25  
Oil, Crankcase, Cat Pump (For 1 oil  
change), 3-33  
Oil, Hyd, 5/20, 05gal, 2-2  
Oil, Hyd, 15/40, 05gal, 2-2  
Oil, Hyd, Syn, 5 Gal, 2-2  
Orifice (0.8 mm), 4-5  
Orifice (1.8 mm), 4-5  
Output Gear, 4-15  
Output Shaft, 4-8

**P**

P.O.R. Assembly, 4-5  
Pad, Tread, 2-5 , 2-7  
Pad,Cab Mount, 2-5 , 2-7  
Paint Kit, Ure, Gal [Gm White], 2-2  
Paint Kit, Ure, Gal [Hawk Gray], 2-2  
Paint, Airdry, [Gm White], 12oz, 2-2  
Paint, Airdry, [Hawk Gray], 12oz, 2-2  
Pan, Oil, 5-25 , 6-23 , 7-17  
Pane, Glass, Windshield, 2-87  
Pane, Wndw, Lower, Lh, 2-95  
Pane, Wndw, Lower, Rh, 2-93  
Pane, Wndw, Slide, Lh, 2-95  
Pane, Wndw, Slide, Rh, 2-93  
Panel Assy, Instmt [Sentinel], 2-107  
Panel Assy, Instmt, W/ Touch Panl, 2-107  
Panel Wldt, Rear, Upper, 2-57  
Panel Wldt, Side, Lh, 2-57  
Panel Wldt, Side, Rh, 2-57  
Panel, Concole, Control, Center, 2-99  
Panel, Console Upper L.H., 3-39  
Panel, Console, Steering, Lh, 3-39  
Panel, Console, Upper, Switch, 2-97  
Panel, Hppr, Lh, 2-77  
Panel, Hppr, Skirt, Rh, 2-77  
Panel, Instrument, 2-107  
Panel, Rear, Lower, 2-57  
Panel, Touch, 2-107  
Panel, 2-145  
Partition, Diaphragm, 5-9 , 6-9 , 7-5  
Pin Assy, Cyl,Lift, 3-5  
Pin Assy, Cyl,Tilt, 3-5  
Pin Assy, Roller, Hpr, 3-3  
Pin Assy,Leg,Inside, 3-3  
Pin Assy,Leg,Outsid, 3-3  
Pin Kit, Connecting, 2-60 , 2-63  
Pin Kit, Pulley, Repair, 2-21  
Pin W/Label, 2-83  
Pin Weldment, Safety Leg Lower, 2-81  
Pin Weldment,Safety Leg Lower, 2-83

Pin Weldment,Safety Leg Upper, 2-83  
Pin Wldt, Clevis, .550d, 2-21  
Pin Wldt, Clevis, 2-67 , 2-69 , 2-73  
Pin Wldt, Safety Leg, Lower, 3-5  
Pin, 0.50d X 80mm, 3-37  
Pin, 0.75d 05.1l 2/.16h 2/Cham Chm,  
3-17  
Pin, 15.7od 110.0l 1/6.35h 2/Cham, 3-19  
Pin, 25.0od 175.0l 1/6.35h 2/Cham, 3-19  
Pin, Brush Plug, 2-19  
Pin, Brush Lift, 2-21  
Pin, Clevis, Lift, Brush, 3-3  
Pin, Cotter, .094 X 1.00, 3-37  
Pin, Cotter, .125 X 1.50, 3-17  
Pin, Cotter, .125 X 1.75, 3-21  
Pin, Cotter, .125 X 2.00, 3-9  
Pin, Cotter, .25 X 2.00, 3-19  
Pin, Cyl, Lift, 3-5  
Pin, Cyl, Tilt, 3-5  
Pin, Dowel, 5-15 , 5-37 , 6-15 , 6-35 ,  
7-9 , 7-29  
Pin, Hair Cotter, 0.62 D .120 Wir, 3-3  
Pin, Hair, Dbl, 3-45  
Pin, Hair, Double, 3-19  
Pin, Hinge, Lower, 2-5 , 2-7  
Pin, Hinge, Upper, 2-5 , 2-7  
Pin, Hyd Cyl, 2-77  
Pin, Hydraulic Cylinder, 2-77  
Pin, Leg, Inside, 3-3  
Pin, Leg, Outside, 3-3  
Pin, M8x20, 4-15  
Pin, Pivot, Main, 3-17  
Pin, Pivot, 2-69 , 2-73 , 3-17  
Pin, Rod Cyl, Lift, 3-5  
Pin, Roll, .180 D X 0.50l, .187/.192, 2-59  
Pin, Roll, .187 D X 0.75l, .187/.192, 2-59 ,  
2-63  
Pin, Roll, .250 D X 1.25l, .250/.256, 2-21  
Pin, Roll, .250 D X 1.75l, .250/.256, 2-59 ,  
2-63 , 2-67  
Pin, Roller,Hopper, 3-3  
Pin, Spring, 2-13 , 2-15  
Pin,Hyd.Cylinder, 2-111 , 3-9  
Pin, 2-5 , 2-7 , 3-5 , 4-5 , 4-13  
Pipe Assy, 5-31 , 6-29 , 7-23  
Pipe, 5-27 , 6-25  
Piston Assy, 5-41 , 6-39  
Piston, 4-13 , 4-23  
Pivot Wldt, Arm, 3-17  
Pivot Wldt, Head, 3-19  
Pivot Wldt, Hopper Left, 2-77  
Pivot Wldt, Hopper Right, 2-77  
Pivot Wldt, 3-17  
Pivot, Shaft, Wiper, 2-87  
Pivoting Hub, 4-11 , 4-21  
Planetary Gear, 4-15  
Planetary Spherical Washer, 4-15  
Plate Wldt, Back, Conveyor, 2-2 , 2-57  
Plate Wldt, Brush, Pulley, 3-3  
Plate Wldt, Cage, Rh, 2-9  
Plate Wldt, Cage, Sppt, Brush, Lh, 2-11  
Plate Wldt, Cyl, 3-17  
Plate Wldt, Lift, Conveyor, Lh, 2-67

Plate Wldt, Lift, Conveyor, Rh, 2-67  
Plate Wldt, Support, Side, Lh, 2-11  
Plate Wldt, Support, Side, Rh, 2-9  
Plate, Arm, 2-21  
Plate, Brg, 2-59 , 2-63  
Plate, Brush Guide, 2-9 , 2-11  
Plate, Cntrl, 3-23  
Plate, Console, Hold-Down, 2-99  
Plate, Cover, Fan Housing, 2-85  
Plate, Cover, Lubrication, 2-57  
Plate, Cover, 2-63  
Plate, Deflector, 2-67  
Plate, Fan Housing, 2-85  
Plate, Fender, Lh, 3-37  
Plate, Floor, Eng, 2-131  
Plate, Front Brush/Vario, 2-3  
Plate, Hyd Line, 2-17  
Plate, Intake, Air, 2-51  
Plate, Lid, Brush Drive, 2-19  
Plate, Motor, 2-59  
Plate, Mount, Hyd Motor, 3-33  
Plate, Mtg, Fuel Filter, 2-33 , 2-35  
Plate, Mtg, Housing [Cat 4.4 08], 2-28  
Plate, Mtg, Hyd, 2-17  
Plate, Mtg, License, 2-77  
Plate, Mtg, 3-65 , 3-67  
Plate, Retaining, 5-15 , 6-15  
Plate, Side Brush, 2-3  
Plate, Spacer, 3-13  
Plate, Sppt, 2-69 , 2-73  
Plate, Strike, 2-70 , 2-74  
Plate, Switch Blank, 3-39  
Plate, Switch, Upper, 2-97  
Plate, Tool Holder, 3-31 , 3-56 , 3-57  
Plate, Wear, 2-2 , 2-57  
Plate, 2-5 , 4-21 , 5-7 , 5-9 , 5-27 , 5-37  
, 6-7 , 6-9 , 6-25 , 6-35 , 7-5 , 7-29  
Plub, Foam, 2-91  
Plug (M18 x 1.5), 4-7  
Plug [Set Of 3], 6-19  
Plug #10, 4-8  
Plug And Cap Kit, Hyd Ftg, 2-2  
Plug, Brush Drive,, 2-19  
Plug, Brush Guide, 2-19  
Plug, Brush Idler, 2-19  
Plug, Cav, 4-35  
Plug, Cavity Cp, 4-27  
Plug, Cup, 5-9 , 5-29 , 5-37 , 6-9 , 6-27 ,  
6-35 , 7-5  
Plug, Drain, Sump, 5-25 , 6-23 , 7-17  
Plug, Dust, Coupling, Water, 2-143  
Plug, Gauge, 4-27  
Plug, Glow, 5-16 , 6-16 , 7-24  
Plug, Hole, 2.25, 2-89  
Plug, Hole, Rnd, 0.88h .03-.12, Blk Nyl,  
2-109  
Plug, Housing, 4-8  
Plug, Lamp, Black, 2-99  
Plug, Orifice Cp, 4-35  
Plug, Orifice Cp, 4-27  
Plug, Orifice, Valve, Hyd, .026, 4-41  
Plug, Orifice, Valve, Hyd, .030, 4-43  
Plug, Orifice, Valve, Hyd, .040, 4-41

## CROSS REFERENCE

Plug, Outlet, 3-73  
Plug, Pipe, 5-25, 6-23, 7-17  
Plug, Retainer, 5-3, 6-3, 7-3  
Plug, Side, 5-37, 6-35, 7-29  
Plug, W/ Org, 5-20, 6-18  
Plug, 2-67, 2-131, 2-143, 4-5, 4-13, 4-23, 4-27, 4-35, 5-11, 5-21, 5-25, 5-27, 5-29, 5-37, 5-39, 5-43, 6-11, 6-23, 6-25, 6-27, 6-35, 6-37, 6-41, 7-17, 7-29  
Plugbtn .75H .03-.12 Blacknyl, 3-39  
Plugbtn, 0.375H, .172, Blk, 3-39  
Plunger, 5-3, 6-3, 7-3  
Port Block, 4-5  
Pulley, Alternator, 2-30  
Pulley, Belt, V, 3-43  
Pulley, Cable, 123mm Dia, 3-3  
Pulley, Drive, Fan, 5-22, 6-20  
Pulley, 2-21, 3-43, 5-23, 6-21, 7-14  
Pump Assy, Fuel Injection, 5-29  
Pump Assy, Injection, Fuel, 6-27  
Pump Assy, Primer, Fuel, 5-13, 6-13  
Pump Assy, Water, 5-31, 6-29  
Pump Breakdown, Cat, 4-25  
Pump Cover, 3-33  
Pump Kit, Auto-Lube, Refill, Ci, 3-74  
Pump, Assy Lubrication, 3-73  
Pump, Cat 290 Press Wash (See Breakdowns), 3-33  
Pump, Hyd, Gear [Ex1] 0.61 [R] 3200, 2-133  
Pump, Hyd, Gear [Ex2] 0.61 [R] 3200, 3-15  
Pump, Hyd, Gear [Ex2] 1.77 [R] 3500, 2-133  
Pump, Hyd, Piston [Hand] 0.55 2800, 3-37  
  
Pump, Piston (See Breakdowns), 2-133  
Pump, Piston, Rexroth, 4-5  
Pump, Refill, Auto-Lube, 3-74  
Pump, Water, Ele, 12vdc, 2-143

## R

Race Thrust, 4-8  
Rack, Filter Bag, 2-79  
Rack, Undercarriage, 3-13  
Radiator, Alm, 362mm, 2-37  
Radiator, Turbo [Sentinel], 2-39, 2-41  
Radio [Am/Fm/Cd/Weather Band], 3-71  
Radio Kit, Ci [W/ Cd Player], 3-71  
Radio Kit, Replmt, 3-71  
Rain Cap, Exhaust, 2-43, 2-45, 2-47  
Rear Axle Housing, 4-21  
Rear Cover Assembly, 4-7  
Rear Rubber Bumper Kit, 3-53  
Regulator Assy, Temp, Water, 5-5, 6-5  
Regulator, Temp, Water, 5-5, 6-5, 7-15  
Relay, 12vdc, 40a, Spdt, 2-99  
Remote Oil Filter Assy, 2-23, 2-27  
Repair Info, Mtr, 4-8  
Repair Info, Pmp, 4-9

Replmt Kit, Pump, Hyd, Gear [Sentinel], 2-133  
Reservoir, 25.0 Gal, 2-131  
Reservoir, Grease, 10lbs, 3-73  
Resistor, Block, 2-105  
Retainer, Front Ends SBDC, 2-145  
Retainer, Hoses, 2-5, 2-7  
Retainer, Roller, 2-69, 2-73  
Retainer, Side Skirt, Brushdoor, 2-9, 2-11  
Retainer, Skirt, Conveyor, 2-57  
Retainer, Skirt, 2-111  
Retainer, 2-9, 2-11, 2-145, 3-45, 5-39, 6-37  
Retaining Ring, 30 Dia, 2-19  
Retaining Ring, 62 Dia, 2-19  
Retaining Ring, M16, 2-111, 3-9  
Retaining Ring, 4-5, 4-15  
Ring, Lock, 3-5  
Ring, Retaining, Ext, 50mm, 2-59, 2-63  
Ring, Retaining, Int, 47mm, 3-13  
Ring, Retaining, 3-3, 5-41, 6-39, 7-31  
Ring, Seal, 2-43, 2-45, 2-47  
Ring, Split, 2-143  
Ring, 4-13, 4-19  
Rivet, Blind, .156d X 0.71 X .31d, 2-79, 3-45  
Rivet, Blind, .156d X 1.00l X .31d, Alm, 2-77  
Rivet, Blind, .188d X 0.45 X .38d, Ss, 2-67  
  
Rivet, Blind, .188d X 0.45 X .38d, Stl, 2-57  
  
Rivet, Blind, .188d X 0.53 X .62d, Alm, 3-45  
Rivet, Blind, .188d X 0.69 X .62d, 3-47  
Rivet, Blind, .188DX0.53X.62D, Alm, 2-51  
Rivet, Plstc, .250d X 0.898, 2-97, 2-99, 3-39  
Rivet, Pop .156Dx.710x.312Dhd, 2-9, 2-11, 2-77  
Rivet, 2-9, 2-11  
Rivnut, Rnd, M8 X 1.25, 2-93  
Rod Assy, 5-41, 6-39  
Rod End Pivot Lh, 4-11, 4-21  
Rod End Pivot Rh, 4-11, 4-21  
Rod End, 4-11, 4-21  
Rod Link, Brush Support Adj, 2-9, 2-11  
Rod Wldt, Filter Bag, 2-79  
Rod, End, Cyl, Tilt, 3-5  
Rod, Thrd, 1 End, M12x1.75 07.9l, 2-73  
Rod, Thrd, Full, M12 X 1.8 03.5l, 2-69  
Rod, Thrd, Full, M12x1.75 03.5l, 2-23, 2-27, 2-131  
Rod, Thrd, 2-109  
Rod-End, M16 X 2.0rh Male 16h, 2-69, 2-73  
Rod, 5-43, 6-41  
Roller, Guide, 2-69, 2-73  
Roller, Hopper, 3-3  
Rotary Group, 4-5, 4-7  
Rotor, 5-3, 6-3, 7-3

## S

Saddle, U-Bolt, 2-13, 2-15  
Satellite Gear, 4-15  
Satellite Spherical Washer, 4-15  
Screw Hex .38-16x 1.25, 2-13  
Screw Hex .38-16x.75, 2-13, 2-15  
Screw Hex M08, 2-37  
Screw Hex M12X1.75X40, 3-75  
Screw Hex.38-16x 1.25, 2-15  
Screw M10x16, 4-21  
Screw, Bleed, 4-13, 4-23  
Screw, Btn, M8 X 1.25 X 20, Blk, 2-57  
Screw, Cap, 4-8  
Screw, Flng, .31-16 X 1.75, Blk, 2-87  
Screw, Flng, #10-16 X .75, Self Tap, Blk, 2-87, 2-91  
Screw, Flng, M6 X 1 X 20, 2-93, 2-95  
Screw, Flng, M8 X 1.25 X 20mm, Blk, 2-87, 2-89  
Screw, Flt, .25-28 X 0.62, Al, 3-33  
Screw, Flt, .38-16X2.00, Al, 2-63  
Screw, Flt, M6 X 1.0 X 25, 10.9, 2-11  
Screw, Flt, M8 X 1.25 X 20, 10.9, 2-69, 2-73  
Screw, Hex M06x1.0x16, 3-71  
Screw, Hex M06x1.0x20, 3-71  
Screw, Hex, .31-18 X 0.75, 5, 2-24  
Screw, Hex, .31-18 X 0.75, G5, 2-28  
Screw, Hex, .31-18 X 1.00, 5, 3-69  
Screw, Hex, .31-18 X 1.00, 8, 2-93, 2-95  
Screw, Hex, .38-16 X 2.00, G5, 2-13, 2-15  
Screw, Hex, .38-16 X 2.00, Ss, 2-59  
Screw, Hex, .38-16 X 3.50, 5, 2-89  
Screw, Hex, .38-16 X 4.50, Ss, 2-91  
Screw, Hex, .44-20 X 1.00, 5, 3-43  
Screw, Hex, .50-13 X 1.50, 5, 2-24  
Screw, Hex, .50-13 X 1.50, G5, 2-27  
Screw, Hex, .50-13 X 3.50, G5, 3-37  
Screw, Hex, .62-11 X 1.75, 5, 2-133  
Screw, Hex, M 6 X 1.0 X 16, Fmg, 2-57, 2-69, 2-73  
Screw, Hex, M 6 X 1.0 X 20, Fmg, 2-141  
Screw, Hex, M 6 X 1.0 X 20, 2-9, 2-11  
Screw, Hex, M 6 X 1.00 X 20, 8.8, 2-87  
Screw, Hex, M 8 X 1.25 X 20, 2-9, 2-11  
Screw, Hex, M 8 X 1.25 X 25, 2-9, 2-11  
Screw, Hex, M 8 X 1.25 X 30, 2-9  
Screw, Hex, M06 X 1.0 X 25, 8.8, 2-37  
Screw, Hex, M10 X 1.5 X 16, 8.8, 3-13  
Screw, Hex, M10 X 1.5 X 20, 8.8, 2-135, 3-3, 3-15, 3-19  
Screw, Hex, M10 X 1.5 X 25, 8.8, 2-17, 3-3  
Screw, Hex, M10 X 1.5 X 30, 8.8, 2-45, 3-13  
Screw, Hex, M10 X 1.5 X 30, Ss, 3-21  
Screw, Hex, M10 X 1.5 X 40, 8.8, 3-17  
Screw, Hex, M10 X 1.5 X 60, 8.8, 2-51, 2-53, 3-13, 3-37  
Screw, Hex, M10 X 1.5 X 70, 8.8 Fl, 3-17  
Screw, Hex, M10 X 1.5 X 70, 8.8, 3-19

- Screw, Hex, M10 X 1.5 X 90, Fl, 2-69 , 2-73
- Screw, Hex, M10 X 1.5 X 20, 8.8, 2-21
- Screw, Hex, M10 X 1.5 X 25, 8.8, 4-13 , 4-23
- Screw, Hex, M10 X 1.5 X 30, 8.8, 2-131 , 2-143 , 3-37
- Screw, Hex, M10 X 1.5 X 35, 8.8, 2-63
- Screw, Hex, M10 X 1.5 X 40, 8.8, 2-59 , 2-111 , 3-37
- Screw, Hex, M10 X 1.5 X 50, 8.8, 2-63
- Screw, Hex, M10 X 1.5 X 70, 8.8, 3-37
- Screw, Hex, M10 X 1.50 X 20, 8.8, 2-41
- Screw, Hex, M10 X 1.50 X 60, 8.8, 2-27
- Screw, Hex, M12 X 1.75 X 30, 8.8, 2-67 , 2-69 , 2-73
- Screw, Hex, M12 X 1.75 X 35, 8.8, 2-23 , 2-27 , 2-57 , 2-59 , 2-67 , 2-69 , 2-70 , 2-73 , 2-74 , 3-37
- Screw, Hex, M12 X 1.75 X 40, 8.8, 2-63 , 2-69 , 2-73 , 3-13 , 3-37
- Screw, Hex, M12 X 1.75 X 40, Ss, 3-13
- Screw, Hex, M12 X 1.75 X 50, 8.8, 3-15 , 3-21
- Screw, Hex, M12 X 1.75 X 60, 8.8, 2-59 , 2-63
- Screw, Hex, M12 X 1.75 X 70, 8.8, 3-77
- Screw, Hex, M12 X 1.75 X 80, 8.8, 3-13
- Screw, Hex, M12 X 1.75 X 90, 8.8, 3-13
- Screw, Hex, M12 X 1.75 X 100, 8.8, 2-141
- Screw, Hex, M12 X 1.75 X 120, 8.8, 2-141
- Screw, Hex, M12 X 1.75 X 25, 8.8, 2-63
- Screw, Hex, M12 X 1.75 X 30, 8.8, 2-111 , 3-9
- Screw, Hex, M12 X 1.75 X 40, Ss, NI, 3-9
- Screw, Hex, M12 X 1.75 X 45, 8.8, 2-60
- Screw, Hex, M12 X 1.75 X 50, 8.8, 2-111 , 3-9
- Screw, Hex, M12 X 1.75 X 50, Fl, 2-111
- Screw, Hex, M12 X 1.75 X 60, 2-9
- Screw, Hex, M12 X 1.75 X 90, 8.8, 2-21
- Screw, Hex, M16 X 2.0 X 40, 8.8, 2-69 , 2-73
- Screw, Hex, M16 X 2.0 X 70, 8.8, 3-21
- Screw, Hex, M16 X 2.0 X 40, 8.8, 2-59 , 2-63
- Screw, Hex, M16 X 2.0 X 70, 8.8, Fl, 2-64
- Screw, Hex, M20 X 2.5 X 50, 8.8, 3-3
- Screw, Hex, M5 X 0.8 X 16, Fmg, 3-61
- Screw, Hex, M6 X 1.0 X 16, 8.8, 2-97
- Screw, Hex, M6 X 1.0 X 16, Ss, 3-17
- Screw, Hex, M6 X 1.0 X 20, 8.8, 3-19
- Screw, Hex, M6 X 1.0 X 25, 8.8, 2-33 , 2-35
- Screw, Hex, M6 X 1.0 X 45, 8.8, 2-135
- Screw, Hex, M6 X 1.0 X 12, 8.8, 2-67 , 2-69 , 2-73
- Screw, Hex, M6 X 1.0 X 10, Fmg, 2-21
- Screw, Hex, M6 X 1.0 X 12, Ss, 3-13
- Screw, Hex, M6 X 1.0 X 16, 8.8, 3-47
- Screw, Hex, M6 X 1.0 X 20, 8.8, 2-57 , 2-145 , 3-45 , 3-47
- Screw, Hex, M6 X 1.0 X 20, Fmg, 3-61 , 3-63
- Screw, Hex, M6 X 1.0 X 20, Ss, 2-9 , 2-11
- Screw, Hex, M6 X 1.0 X 25, 8.8, 2-145 , 3-65 , 3-67
- Screw, Hex, M6 X 1.0 X 25, Fmg, 2-21
- Screw, Hex, M6 X 1.0 X 45, 8.8, 2-143
- Screw, Hex, M6 X 1.0 X 50, 8.8, 3-17
- Screw, Hex, M6 X 1.00 X 20, Fmg, 2-5 , 2-7
- Screw, Hex, M8 X 1.25 X 16, 8.8, 2-69 , 2-73 , 3-23
- Screw, Hex, M8 X 1.25 X 20, 8.8, 2-23 , 2-37 , 2-43 , 2-57 , 2-59 , 2-67 , 2-99 , 2-135 , 2-139 , 3-19
- Screw, Hex, M8 X 1.25 X 25, 8.8, 2-39 , 2-41 , 2-45 , 2-47 , 2-69 , 2-73
- Screw, Hex, M8 X 1.25 X 25, Ss, 3-17 , 3-21
- Screw, Hex, M8 X 1.25 X 120, 8.8, Fl, 2-30 , 2-31
- Screw, Hex, M8 X 1.25 X 20, 8.8, 2-51 , 2-64 , 2-89 , 2-91 , 2-143 , 3-47 , 3-69
- Screw, Hex, M8 X 1.25 X 20, Fmg, 2-21 , 3-45
- Screw, Hex, M8 X 1.25 X 25, 8.8, 2-53 , 2-57 , 2-143 , 3-47
- Screw, Hex, M8 X 1.25 X 25, Ss, 3-45
- Screw, Hex, M8 X 1.25 X 30, 8.8, 2-39 , 2-41 , 2-49 , 2-53 , 2-57 , 2-63 , 2-145
- Screw, Hex, M8 X 1.25 X 35, 8.8, 3-17
- Screw, Hex, M8 X 1.25 X 70, 8.8, 2-43 , 2-45 , 2-47
- Screw, Hex, .25-20X1.00, 5, 3-15
- Screw, Hex, 3-43
- Screw, M10x1.5, 4-15
- Screw, M12x20, 4-15
- Screw, M12x30, 4-11 , 4-15 , 4-21
- Screw, M12x40, 4-11 , 4-21
- Screw, M6 X 1.00 X 10mm, 5-37 , 6-35 , 7-29
- Screw, M8 X 1.25 X 16mm, 5-37 , 6-35 , 7-29
- Screw, M8x50, 4-11 , 4-21
- Screw, Pan, #06-?? X 0.38, F/Plstc Pl, 2-99
- Screw, Pan, M 4 X 0.7 X 20, 4.8, 2-99
- Screw, Pan, M 6 X 1.0 X 12, NI, 3-23
- Screw, Pan, M 6 X 1.0 X 16, 4.8, 2-91
- Screw, Pan, M05 X 0.8 X 25, 4.8, 3-37
- Screw, Pan, M4 X 0.7 X 20, 4.8, 3-47
- Screw, Pan, M5 X 0.8 X 25, 4.8, 3-47
- Screw, Pan, 2-107
- Screw, Set .38 in, 3-33
- Screw, Set, M06 X 1.0 X 8, NI, 2-69 , 2-73
- Screw, Set, M12 X 1.75 X 12, Soc, 2-59 , 2-63
- Screw, Set, M12 X 1.75 X 12, Soc, 2-59
- Screw, Soc, #10-24 X 1.25, 4-39
- Screw, Soc, M 6 X 1.0 X 16, 12.9, 3-17
- Screw, Soc, M 8 X 1.25 X 30, 12.9, 3-13
- Screw, Soc, M 8 X 1.25 X 35, 12.9, 3-17 , 3-19
- Screw, Soc, M 8 X 1.25 X 60, 12.9, 3-3
- Screw, Soc, M 8 X 1.25 X 60, 3-5
- Screw, Switch Assy, 2-109
- Screw, .25-20X.75Blk, 2-101
- Screw, 3-3 , 4-8 , 4-13 , 4-23 , 5-9 , 5-43 , 6-9 , 6-41 , 7-5
- Scrw, Trs, .25-20 X 1.00, 2-93 , 2-95
- Seal Kit, 15ft., 2-145
- Seal Kit, Cart. Cp, 4-31
- Seal Kit, Cart, 4-27 , 4-29 , 4-31
- Seal Kit, Cartridge, 4-35 , 4-37 , 4-39 , 4-41 , 4-43
- Seal Kit, Coil [Cp], 4-35
- Seal Kit, Coil, 4-27 , 4-29 , 4-31
- Seal Kit, Cyl, Hyd, 2-81
- Seal Kit, Cylinder, 4-11 , 4-21
- Seal Kit, Fltr [Hydac], 2-131
- Seal Kit, Hyd, Motor, 2-85
- Seal Kit, Motor A/H-Stnd, 4-8
- Seal Kit, Motor, Hyd, Gear, 2-19 , 2-111 , 3-9 , 3-15 , 3-21
- Seal Kit, Motor, Hyd, 2-133 , 3-15
- Seal Kit, Scu, 4-33
- Seal Kit, Valve, Hyd, 4-35 , 4-39
- Seal Kit, Valve, Spd Cntrl, Hyd, 2-133
- Seal Kit, 4-5
- Seal Kit, 2-60 , 4-7
- Seal, Afmkt, Bulb, Str, .75d F/07ga 02ft, 2-51
- Seal, Brush Door, 2-2 , 2-9
- Seal, Brush, Door, 2-11
- Seal, Bulb, 90, 1.33 .06-.09Grip 19.5L, 2-51
- Seal, Bulb, 90, 1.33 .06-.09Grip 08.3L, 2-51
- Seal, Bulb, Str, 0.58 .06-.09Grip108.0L, 2-37 , 2-39 , 2-41
- Seal, Bulb, Str, 0.58d .06-.09grip 54.0l, 2-57
- Seal, Bulb, Str, 0.75d .19grip 204.0l, 2-79
- Seal, Bulb, Str,0.58D .06-.09Grip 04.0L, 2-51
- Seal, Bulb,Str, 0.75d .13grip 178.0l, 2-39 , 2-41
- Seal, Cap, Oil Filler, 5-9 , 6-9 , 7-5
- Seal, Connector, 60 Pin, 2-107
- Seal, Cover, 5-11 , 6-11 , 7-7
- Seal, Cshaft, 5-15 , 6-15
- Seal, Dust, 2-19
- Seal, Hyd, O-ring 2.62mm X .88.57 Mm, 4-17
- Seal, O-Ring,, 3-15
- Seal, Oil, 40mm B X 62mm D X 7mm H, 4-17
- Seal, Oil, 42 X 55 X 8, 4-19
- Seal, Org, .072 X 00.35id #04, 4-41 , 4-43

## CROSS REFERENCE

- Seal, Org, Drain, Sump, 5-25 , 6-23  
Seal, Org, Reg, Temp, Water, 5-5 , 6-5  
Seal, Org, 5-9 , 5-29 , 5-31 , 5-39 , 6-9 ,  
6-27 , 6-29 , 6-37 , 7-5 , 7-23  
Seal, Oring, 3-43  
Seal, Shaft, 2-77  
Seal, Str W/.75 Bubble 52"Lg, 2-145  
Seal, Valve, 5-39 , 6-37  
Seal, Vertical, 2-9 , 2-11  
Seal, Weatherstrip, 2-103 , 3-43  
Seal, Brush Door, 2-9 , 2-11  
Seal, Bulb, 2-37  
Seal, 2-9 , 2-11 , 2-59 , 2-63 , 2-91 ,  
2-93 , 2-95 , 3-71 , 5-7 , 5-25 , 6-7  
6-23 , 7-17  
Seat Kit, Passenger, Ci, 3-69  
Seat, Std [Seats Inc #176393], 3-69  
Seat, Suspension, W/Connector, 2-99  
Seat, 2-99  
Seatbelt Kit, Lh, Ci, 2-89 , 3-69  
Seatbelt Kit, Rh, Ci, 2-89  
Seatbelt, Lh, 2-89 , 3-69  
Seatbelt, Rh, 2-89  
Sending Unit, Fuel Tank, 2-33 , 2-35  
Sending Unit, 2-23 , 2-27  
Sensor Assy, Directional, Level, 2-99  
Sensor, Level, Liquid, 14 Vdc 01A .88-14,  
2-143  
Sensor, Magnetic Pickup, 2-23 , 2-27  
Sensor, Spd, 04.5-24vdc, 2-15  
Sensor, Temp, Water, 0.50Nptf 300 Deg,  
2-23 , 2-27  
Separator, Filter Bag, 2-79  
Shaft , 4-5  
Shaft Assy, 5-43 , 6-41  
Shaft Seal, 4-7  
Shaft, Cen, 2-59  
Shaft, Eccentric, 2-69 , 2-73  
Shaft, Lower, 2-59  
Shaft, Side Brush, 2-111 , 3-9 , 3-76  
Shaft, Stub, 2-63  
Shaft, Upper, 2-59  
Sheave, Alternator [Sentinel 08], 2-31  
Sheet, Rbr, Guard, Hose, 8", 2-5 , 2-7 ,  
3-15  
Shield Wldt, Heat, 2-51  
Shim, Half, 0.10mm, 4-11 , 4-21  
Shim, Half, 0.25mm, 4-11 , 4-21  
Shim, 4-7  
Shroud Assembly (Left Sidebrush Shroud  
Assy Optional), 2-145  
Shroud Wldt, Radiator, 2-39 , 2-41  
Shroud, Instmt, 2-99  
Shroud, Radiator, L.H., 2-37  
Shroud, Radiator, Lower, 2-37  
Shroud, Radiator, R.H., 2-37  
Shroud, Radiator, Turbo [Sentinel], 2-39 ,  
2-41  
Shroud, Radiator, Upper, 2-37  
Shroud, Radiator, 2-39 , 2-41  
Shroud, Side Modified (When no  
Sidebrush is used), 2-145  
Shutter, Vacuum, 2-77  
Side Brush Light L.H., 2-101  
Side Brush Light R.H., 2-101  
Sitrip, Large Step, 3-58  
Skid Kit, Carbide, Rh & Lh, 2-9 , 2-11  
Skid Weld't, Carbide Lh, 2-9 , 2-11  
Skid Weld't, Carbide Rh, 2-9 , 2-11  
Skirt Kit, Front (With 5 U-Nuts) (Dry Dust  
Control), 2-2  
Skirt Kit, Front Dust Control, 2-145  
Skirt Kit, S. B. (1 Per Side With 5  
U-Nuts) (Dry Dust Control), 2-2  
Skirt Kit, Side Brush, 2-145  
Skirt, .25T3.0W11.0L 4/.31Hcomc, 3-50  
Skirt, Conveyor Lip, 2-2  
Skirt, Conveyor Side, 2-2  
Skirt, Deflector, Side, 2-57  
Skirt, Dust Containment (1 Per Side With 2  
U-Nuts) (Dry Dust Control), 2-2  
Skirt, Dust Containment, 2-145  
Skirt, Dust, Rear, 2-2  
Skirt, Lip, Conveyor, 2-57  
Skirt, Rear Dust, 2-11  
Skirt, Rubber, 2-111  
Skirt, Side Deflectors, 2-2  
Skirt, Side, Conveyor, 2-57  
Sleeve, Brass 05com, 3-73  
Sleeve, Connector, 2-39 , 2-41  
Sleeve, Cshaft, 5-15 , 6-15  
Sleeve, Ferrule .188 Dia, 3-73  
Sleeve, Ferrule .312, 3-73  
Sleeve, P/M, 0.496D 0.318B 0.31L 430Ss,  
2-69 , 2-73  
Sleeve, Pm, 29.0od 20.0b 6.6l Ss, 3-13  
Sleeve-Nylon #20 20.0L, 3-31  
Sleeve, 2-69 , 2-73  
Sludge Removal Tool Assy., 3-50  
Snap Ring, 4-5 , 4-7  
Soleniod, Shutoff, Fuel, Na, 5-29  
Solenoid, #10, 12vdc, 4-41  
Solenoid, #8, 12vdc, 4-41 , 4-43  
Solenoid, 12V, 4-31  
Solenoid, 12vdc, Valve, Hyd Cec, 4-35  
Solenoid, 12vdc, Valve, Hyd [Cec], 4-37  
Solenoid, 12vdc, Valve, Hyd Cec, 4-39  
Solenoid, Hyd, 12 Vdc, 12 Watt, 4-35 ,  
4-37 , 4-39  
Solenoid, Shutoff, Fuel, Turbo, 6-27  
Spacer Extn, Fan 2.5 (turbo), 2-30  
Spacer Plate, 4-8  
Spacer, .125 X .25 X 2.00, 2-87  
Spacer, .38ID X .38L, 2-30  
Spacer, 1.25od X .433id X .50h, 2-3  
Spacer, Coil, #10, 4-41  
Spacer, Coil, #8, 4-41 , 4-43  
Spacer, Fan [Sentinel 08], 2-31  
Spacer, Paddle, 2-63  
Spacer, Strap, 2-59 , 2-63  
Spacer, 3-77 , 4-11 , 4-13 , 4-15 , 4-21 ,  
4-23 , 5-13 , 6-13  
Spool, Pilot, Hd, 4-41  
Spool, Pilot, 4-43  
Spring Kit, Side Brush, 3-75  
Spring, Brush Lift, 2-21  
Spring, Cmpr, 2-67  
Spring, Die, 1.00od 0.50id 1.25l, 3-19  
Spring, Exhaust, 2-45 , 2-47  
Spring, Extn, 1.90od X .306wir, 8.0l, 3-17  
3-19  
Spring, Front Leaf, 2-15  
Spring, Hose, Breather, Crankcase, 6-9 ,  
7-5  
Spring, Overload Switch, 2-81  
Spring, Rear Leaf, 2-13  
Spring, Tension 30X5.5X149, 3-75  
Spring, Ure, 2-67  
Spring, Valve, 5-39 , 6-37  
Spring, Exhaust, 2-43  
Spring, 2-111 , 3-9 , 4-13 , 4-23 , 5-3 ,  
5-9 , 5-43 , 6-3 , 6-9 , 6-41 , 7-3 ,  
7-5  
Sprocket, 1.654P, 19 Tooth, 4.5B, 1.5W,  
2-59 , 2-63  
Sprocket, 1.654p, 19tooth, 4.50b, Split,  
2-59 , 2-63  
Sprocket, 1.654pd, 19tooth, 4.50b, Split,  
2-2  
Stand-Off, Hex, M8 X M6, Metal, 2-31  
Starter, Eng (Sentinel), 2-23  
Static Strap, 2-107  
Steer-control, Hyd, 10 04.5 4000, 4-33  
Steer-Control, Hyd, 10 04.5 4000, 2-109  
Steering Column Switch, 2-109  
Steering Lever, Lower, 4-11  
Steering Lever, Rh, Lower, 4-11  
Steering Rod Front, 4-11  
Steering Rod Rear, 4-21  
Stem, Valve, Hyd 3w2p, 4-29  
Stem, Valve, Hyd, 4w2p {Cec}, 4-35 ,  
4-37  
Stem, Valve, Hyd, 4w2p {Cec}, 4-39  
Step Wldt, 2-5 , 2-7  
Step, Large Folding, 3-58  
Stop Screw, 4-7  
Stop, Down, Adj, 2-69 , 2-73  
Strainer, Hyd, 25 Gpm 100 Mesh Psi,  
2-131  
Strainer, 5-25 , 6-23 , 7-17  
Strap, Band, Mtg, Air Fltr, 6.5d, 2-49  
Strap, Retainer, Bearing Cup, 2-59 , 2-63  
Strap, Sppt, Alternator, 2-30  
Strap, Sppt, Oil Fill, 2-24  
Strap, Wand, Vacuum, 3-45  
Strip, Backup, 2-57  
Strip, Nylon, 0.38 01.5w 11.8b 2/.2h, 3-45  
Strip, Paddle, Conveyor, 2-2 , 2-63  
Strip, Retainer Skirt, 2-9 , 2-11  
Strip, Retainer, Paddle, 2-63  
Strip, Retainer, Upper, 2-9 , 2-11  
Strip, Retainer, Vertical, 2-9 , 2-11  
Strip, Retainer, 2-57  
Strip, Rubber, Long, 2-33 , 2-35  
Strip, Rubber, Short, 2-33 , 2-35  
Strip, Seal, 2-57  
Strip, .11T2.5W10.0L 4/.31Hcomc, 3-50  
Stroking Piston Assembly, 4-5  
Stroking Piston Cover, 4-5 , 4-7



Stud, 4-13 , 4-23 , 5-25 , 6-23 , 6-43 ,  
7-17 , 7-33  
Sun Visor, 2-101  
Support Wldt, Brush Door Lh, 2-11  
Support Wldt, Conveyor, 2-69 , 2-73  
Support Wldt, Door Rh, 2-9  
Support Wldt, Eng, 2-24 , 2-28  
Support Wldt, Seat, Passenger, 2-91 ,  
3-69  
Support Wldt, 2-55 , 3-17 , 3-19  
Support, Circuitboard, 2-99  
Support, Eng Fan, Side, Front, 2-23 ,  
2-27  
Support, Hose, Vacuum, 3-45  
Support, Maintenance, Lift W/Label, 3-5  
Support, Plug, 5-16 , 6-16  
Support, Radiator [Sentinel], 2-37  
Support, Seat, Driver, 2-91  
Support, Engine Fan Side Rear, 2-23 ,  
2-27  
Support, Engine Flywheel, 2-23 , 2-27  
Switch Assy, Press, 12vdc No 2400psi,  
2-135  
Switch Assy, Press, Oil, Eng, 5-32 , 6-30 ,  
6-31  
Switch Assy, Roller-No, 2-81  
Switch Kit, Spst, 3-59  
Switch, Advance, Timing, 5-29 , 6-27  
Switch, Assy Turn/Lights, 2-109  
Switch, Assy Wipers, 2-109  
Switch, Cold Control, 3-43  
Switch, Fan, 3-Speed, 2-103 , 3-43  
Switch, Ignition [Cobo], 2-109  
Switch, Key, Steering Column, 2-109  
Switch, Micro, Joystick, 3-23  
Switch, Press, 12vdc 06a Spst Nc 0750psi,  
2-139  
Switch, Press, 12vdc A Spst No 0060psi,  
2-17  
Switch, Pressure, 3-43  
Switch, Rocker, 28vdc 15a Dpst On/Of,  
2-97  
Switch, Rocker, 28vdc 15a Spst On/Of,  
2-97 , 3-61 , 3-63  
Switch, Rocker, 36Vdc 05A Dpdt  
On/N/On, 3-23  
Switch, Rocker, 36Vdc 05A Dpdt  
On/Of/Mo, 3-23  
Switch, Rocker, 36Vdc 05A Dpdt  
On/Of/On, 3-23  
Switch, Rocker, 250Vac 10A Dpdt  
On/Of/On, 2-97  
Switch, Snap Actn, 12Vdc 15A No, 2-81  
Switch, Snap Actn, 12vdc 15a No, 2-77  
Switch, Vacuum Indicator, 2-49 , 2-51 ,  
2-53  
Switch, 3-47  
Swivel Orifice Kit, 4-7

**T**

T-Handle, Latch 5", 2-9 , 2-11  
Taillight, Led [Sentinel 08], 2-7

Taillight, Lh w/Connector, 2-5  
Taillight, Rh w/Connector, 2-5  
Tailpipe, Exhaust, 2-45 , 2-47  
Tank Assy, Water, 2-143  
Tank, Coolant, 06.0 04.5 06.9deep 2.5 Qt,  
2-39 , 2-41  
Tank, Hyd, 2.5 Qt Vol, 2-37  
Tappet, 5-43 , 6-41  
Tee, .50Fx.50Fx.50F, 3-31  
Tee, Water Spray (Wet Dust Control), 2-2  
Terminal, Metripk280, Fem 16, 3-71  
Terminal, Qdc, [.25f, Insf,14], 3-63  
Terminal, Qdc, [.25m, Insf,14], 3-63  
Terminal, 3-71  
Test Kit, Hyd Press, 2-2  
Thermostat Assembly, 155 Deg, 2-77  
Thru Drive Charge Pump Assembly, 4-5  
Thrust Bearing, 4-8  
Tie Rod, Hopper Support, 2-83  
Tie, Cable 15.25 Lg, 3-31  
Tie, Cable 6.0 Lg, 3-23 , 3-31  
Tie, Cable 6.0Lg, 3-15  
Tie, Cable, 11.3l, 2.75d Max, 3-45  
Tie, Cable, Nyl, 15.3l . W 4.5 Max D, 2-5 ,  
2-7  
Tie, Cable, Nyl, 28.3l .50w 8.0 Max D,  
3-45  
Tie, Cable, Nyl, 28.5l .50w 8.0 Max D,  
2-37 , 2-39 , 2-41  
Tilt, Maintenance, Stand W/Label, 3-5  
Timer, 3-73  
Tire & Rim Assy, (Bias Ply), 2-13 , 2-15  
Tire & Rim Assy, (Radial), 2-13 , 2-15  
Tire Assy, Foam Filled, (Bias Ply), 3-51  
Tire Assy, Foam Filled, (Radial), 3-51  
Tire, 7.00X12 Hd Rib Lug, (Bias Ply), 2-13  
, 2-15  
Tire, 7.00X12, (Radial), 2-13 , 2-15  
Tower Assy, Conveyor, Lift, Lh, 2-73  
Tower Assy, Conveyor, Lift, Rh, 2-69  
Tower Kit, Conveyor, Lift, Lh, Replmt, 2-73  
Tower Kit, Conveyor, Lift, Rh, Replmt,  
2-69  
Trough Wldt, Conveyor, 2-2 , 2-57  
Tube Assy, 5-25 , 5-39 , 6-23 , 6-37 ,  
6-43 , 7-33  
Tube Wldt, Exhaust [Sentinel 08], 2-47  
Tube Wldt, Exhaust, 2.5 Od, 2-45  
Tube Wldt, Exhaust, 2-43  
Tube Wldt, Sppt, Rear, 3-45  
Tube, 01.00d 00.44b 00.3l Stl, 3-19  
Tube, 00.62d 00.47b 00.8l Stl, 3-76 , 3-77  
Tube, 01.00d 00.50b 02.7l Stl Plt,  
3-17  
Tube, 2.5x6L, 2-43  
Tube, Adaptor, Wand, 3-45  
Tube, Air, Chrg, Lower [Sentinel 08], 2-41

Tube, Air-Clnr, 2-49  
Tube, Assembly, 2-24  
Tube, Brake Front, Lh, 2-17

Tube, Brake, Rear, Lh, 2-13  
Tube, Brake, Rear, Rh, 2-13  
Tube, Brake, Front, Rh, 2-17  
Tube, Connecting, 5-9 , 6-9  
Tube, Coupler Vac Wand, 3-49  
Tube, Dipstick, 2-27  
Tube, Exhaust, 2.0d [Gm3.0] [8410], 3-9  
Tube, Hyd, Accumulator, Left, 2-17  
Tube, Hyd, Accumulator, Right, 2-17  
Tube, Hyd, Brake Pedal, 2-17  
Tube, Hyd, Flow Divider, 2-135  
Tube, Hyd, Inlet, Cooler, 2-39 , 2-41  
Tube, Hyd, Manifold, Main, 2-135  
Tube, Hyd, Return [Sentinel], 2-139  
Tube, Hyd, Return, Cooler, 2-141  
Tube, Intake, Turbo, 2-51  
Tube, Intake, Air-Clnr [Sentinel 08], 2-53  
Tube, Intake, Air-Clnr, 2-51  
Tube, Lower, 2-39  
Tube, Plstc 5/16 Od, 3-73  
Tube, Plstc, W/Grease .188 Od X 15 Ft,  
3-73  
Tube, Rnd, 1.125d 0.63b 0.3l Stl Plt, 3-19  
Tube, Upper, 2-39 , 2-41  
Tube, Vac Wand Door, 3-47  
Tube, Tire 7.00X12, (Bias Ply), 2-13 , 2-15  
Tube, 2-111 , 3-5 , 3-9  
Turbocharger, 6-43

**U**

U Bolt, 2-109  
U-Bolt, Front Spring, 2-15  
U-Bolt, Rear Spring, 2-13  
U-Nut, 10mmx1.25x0.75in, 2-5 , 2-7

**V**

Valve [3p4w Do3], 4-39  
Valve Stem 3W2P, 4-27  
Valve Stem 4W2P, 4-27  
Valve Stem N.O. Cp, 4-27  
Valve Stem, 4-27 , 4-29 , 4-31  
Valve, Ball Hycon, 2-15  
Valve, Ball, 08PF Brs W/ Handle, 2-143  
Valve, Brake, 2-17  
Valve, Cartridge, Pilot Check, 4-37  
Valve, Cartridge, Relief, 4-35  
Valve, Check, Gpm 0030psi 10om/10ors,  
2-131  
Valve, Check, Cyl, Hyd, 2-81  
Valve, Check, 4-35 , 4-39 , 4-41 , 4-43  
Valve, Cntrl, Flow, Hyd, 4-41  
Valve, Cntrl, Psi, 4-39  
Valve, Cntrl, Solenoid, 4-41 , 4-43  
Valve, Exhaust, 5-39 , 6-37  
Valve, Hyd Cntrl Sol-Press Wash (See  
Breakdowns), 3-35  
Valve, Hyd Cntrl Sol, 4-31  
Valve, Hyd Control Sol-Hopper (See  
Breakdowns), 2-137

## CROSS REFERENCE

Valve, Hyd Control Sol, 4-27 , 4-29  
Valve, Hyd, Flow Divider, 2-135  
Valve, Hyd, Sol, 12Vdc [05S13G3000]  
(See Breakdowns), 2-135  
Valve, Hyd, Sol, 12Vdc [07S24G3000]  
(See Breakdowns), 2-139  
Valve, Hyd, Sol, 12vdc [05s13g3000], 4-39  
  
Valve, Hyd, Sol, 12Vdc [07S03G3000],  
3-19  
Valve, Hyd, Sol, 12Vdc [07S06G3000],  
3-15  
Valve, Hyd, Sol, 12vdc [07s24g3000], 4-35  
, 4-37  
Valve, Hyd, Solenoid, 12vdc [07s03g3000],  
4-43  
Valve, Hyd, Solenoid, 12vdc [07s06g3000],  
4-41  
Valve, Hyd, Solenoid, 12vdc[07s24g3000]  
(See Breakdowns), 3-9  
Valve, Hyd, Spd Cntrl, Of06/Of06, 2-133  
Valve, Hyd, Strg, Accumulator, Dual,  
2-141  
Valve, Inlet, 5-39 , 6-37  
Valve, Metering #0, 3-73  
Valve, Metering #1, 3-73  
Valve, Metering #2, 3-73  
Valve, Metering #3, 3-73  
Valve, Metering #8, 3-73  
Valve, Relief, Press, Oil, Eng, 5-3 , 6-3 ,  
7-3  
Valve, Relief, 3-73 , 4-41  
Valve, Stem, Nc Poppet, 4-35  
Valve, Stem, No Poppet, 4-35  
Valve, Stem, No, 4-35 , 4-37 , 4-39  
Valve, Thermal Expansion, 3-43  
Valve, Unloader, 3-31  
Valve, Water Spray, 2-143  
Valve, Water, Flow Cntrl, 3-23  
Valve, Water, 2-103 , 3-43  
Video, Oprtr, Training, Dvd [Sentinel], 3-78  
  
Vr, Adapter, Exhaust [Cat 08], 7-33  
Vr, Alternator, 7-38  
Vr, Atomizer [Cat 08], 7-21  
Vr, Bar [Cat 08], 7-24  
Vr, Bolt [Cat 08], 7-5 , 7-7 , 7-9 , 7-29 ,  
7-33 , 7-35 , 7-36  
Vr, Bolt, M08 X 1.25 X 20mm, 7-5  
Vr, Bolt, M08 X 1.25 X 35mm, 7-9  
Vr, Bolt, M10 X 1.50 X 20mm, 7-10  
Vr, Bolt, 7-19 , 7-21  
Vr, Bracket [Cat 08], 7-21 , 7-33  
Vr, Bracket, Alternator [Cat 08], 7-38  
Vr, Bracket, 7-21  
Vr, Cable, 7-21  
Vr, Camshaft Assy [Cat 08], 7-25  
Vr, Cap, 7-21  
Vr, Clamp, Injector [Cat 08], 7-21  
Vr, Clip, 7-21

Vr, Cover [Cat 08], 7-5  
Vr, Cover, Cyl [Cat 08], 7-5  
Vr, Elbow, Exhaust [Cat 08], 7-33  
Vr, Element, Fltr [Cat 08], 2-35  
Vr, Flywheel Assy [Cat 08], 7-36  
Vr, Fuel, Pump, Injection [Cat 08], 7-21  
Vr, Fuelline Assy, Cyl 1, 7-21  
Vr, Fuelline Assy, Cyl 2, 7-21  
Vr, Fuelline Assy, Cyl 3, 7-21  
Vr, Fuelline Assy, Cyl 4, 7-21  
Vr, Gasket [Cat 08], 7-29  
Vr, Gasket, Cover [Cat 08], 7-9 , 7-23  
Vr, Gasket, Elbow [Cat 08], 7-33  
Vr, Gasket, Head, Cyl [Cat 08], 7-34  
Vr, Gasket, Inlet [Cat 08], 7-19  
Vr, Gear, Idler [Cat 08], 7-9  
Vr, Head, Clyinder [Cat 08], 7-34  
Vr, Hose, 7-21  
Vr, Housing, Flywheel [Cat 08], 7-35  
Vr, Housing, Front [Cat 08], 7-9  
Vr, Hub, Idler, Gear [Cat 08], 7-9  
Vr, Lever [Cat 08], 7-38  
Vr, Manifold, Exhaust [Cat 08], 7-33  
Vr, Nut [Cat 08], 7-37  
Vr, Nut, Tube, Dipstick, 2-27  
Vr, Nut, 7-21  
Vr, Pin, Dowel [Cat 08], 7-35  
Vr, Pipe [Cat 08], 7-19  
Vr, Piston Assy [Cat 08], 7-31  
Vr, Piston, Cooling, Jet [Cat 08], 7-29  
Vr, Plate [Cat 08], 7-19  
Vr, Plate, Lift [Cat 08], 7-10  
Vr, Plate, Retaining [Cat 08], 7-9  
Vr, Plug [Cat 08], 7-29 , 7-35  
Vr, Plug, Cup, 7-21  
Vr, Plug, Pipe, 7-12  
Vr, Plug, 7-11  
Vr, Pulley, Fan [Cat 08], 7-13  
Vr, Pump, Water [Cat 08], 7-23  
Vr, Ring, Motor [126t, Cat 08], 7-36  
Vr, Ring, Piston Kit [Cat 08], 7-31  
Vr, Rod Assy, 7-31  
Vr, Rod, Push [Cat 08], 7-25  
Vr, Seal [Cat 08], 7-17  
Vr, Seal, Oil [Cat 08], 7-9  
Vr, Seal, Org [Cat 08], 7-5 , 7-15 , 7-21  
Vr, Seal, Org, 7-11 , 7-21  
Vr, Separator, Fltr [Cat], 2-35  
Vr, Solenoid, Shutoff, Fuel, Turbo, 7-21  
Vr, Spacer, Fan, 1.50 Inch, 2-30  
Vr, Spacer, Fan, 2.00 Inch, 2-30  
Vr, Starter [Cat 08], 7-37  
Vr, Stud [Cat 08], 7-37  
Vr, Switch, Advance, Timing, 7-21  
Vr, Tappet [Cat 08], 7-25  
Vr, Tube [Cat 08], 7-5  
Vr, Turbocharger [Cat 08], 7-33  
Vr, Washer, Hard [Cat 08], 7-36  
Vr, Washer, Seal [Cat 08], 7-7 , 7-29  
Vr, Washer, Thrust, Camshaft, 7-9  
Vr, Washer, 7-21

## W

Wand, Vacuum, Extended, 3-45  
Washer Flt .31, 2-37  
Washer Flt .50 SAE, 3-75  
Washer Flt 08, 2-77  
Washer Ftg .50, 2-23 , 2-27  
Washer M12 belle, 2-23 , 2-27  
Washer, .532 Bx2.13x.11 HR ZNC, 2-13  
Washer, .532 Bx2.13x.11 HR ZNC, 2-15  
Washer, 0.28b 1.00d .06, 2-87  
Washer, 0.28b 1.00d .06, 2-93 , 2-95  
Washer, 0.31b 0.88d .06, Nyl, Blk, 2-93 ,  
2-95  
Washer, 0.33b 1.50d .47, Stl, C / Bore,  
3-15  
Washer, 0.38b 0.62d .06, Nyl, White, 2-91  
  
Washer, 0.38b 0.88d .08, 2-93 , 2-95  
Washer, 0.53b 2.13d .11, Stl, Pl, 2-13 ,  
2-15  
Washer, 0.76b 1.50d .06, Ss, 3-21  
Washer, 2.250x.812x.250, 2-21  
Washer, A6, 4-15  
Washer, Belleville, .38, 2-59 , 2-63 , 3-13  
Washer, Belleville, .50, 3-13  
Washer, Belleville, M06, 2-9 , 2-11 , 2-69  
, 2-73 , 2-145 , 3-19  
Washer, Belleville, M08, 2-9 , 2-11 , 2-24  
, 2-57 , 2-91 , 2-135 , 2-143 , 2-145  
, 3-45 , 3-69  
Washer, Belleville, M10, 2-43 , 2-45 ,  
2-47 , 2-111 , 2-131 , 2-135 , 2-143  
, 3-3 , 3-17  
Washer, Belleville, M12, 2-24 , 2-111 ,  
3-9  
Washer, Bellville, 3-43  
Washer, Bevel, .334, .822, .109, .128,  
2-87  
Washer, Brakeline, 2-13  
Washer, Flat [Lord #J-2049-52], 2-21  
Washer, Flat, .25 Fender, 2-145  
Washer, Flat, .38 Sae, 2-63  
Washer, Flat, .50 Sae, 3-77  
Washer, Flat, .50 Std, 3-37  
Washer, Flat, #08, 2-99 , 3-47  
Washer, Flat, #10, 3-37 , 3-45 , 3-65 ,  
3-67  
Washer, Flat, 0.25 Sae, 2-67 , 2-135 ,  
2-143 , 3-47  
Washer, Flat, 0.25 Ss, 2-9 , 2-11 , 3-13  
Washer, Flat, 0.25 Std, 2-9 , 2-11 , 2-33 ,  
2-35 , 2-37 , 2-49 , 2-57 , 2-89 ,  
2-99 , 2-139 , 2-141 , 3-15 , 3-19 ,  
3-45 , 3-47 , 3-69  
Washer, Flat, 0.25, Std, 2-7 , 2-30 , 2-53  
, 3-17  
Washer, Flat, 0.31 Ss, 3-17  
Washer, Flat, 0.31 Std, 2-21 , 2-39 , 2-41  
, 2-43 , 2-45 , 2-47 , 2-51 , 2-57 ,  
2-59 , 2-64 , 2-67 , 2-69 , 2-70 ,  
2-73 , 2-74 , 2-99 , 2-143 , 3-17 ,  
3-19 , 3-23

Washer, Flat, 0.31, Std, 2-31  
 Washer, Flat, 0.38 Ss, 3-21  
 Washer, Flat, 0.38 STD, 2-143  
 Washer, Flat, 0.38 Std, 2-17 , 2-23 , 2-45  
 , 3-3 , 3-13 , 3-15 , 3-17 , 3-19  
 Washer, Flat, 0.38, Sae, 2-27 , 3-37  
 Washer, Flat, 0.38, Std, 2-41  
 Washer, Flat, 0.50 Sae, 2-21 , 2-57 , 2-59  
 , 2-63 , 2-67 , 2-69 , 2-73 , 2-111 ,  
 2-141 , 3-9 , 3-13 , 3-15 , 3-19 ,  
 3-21  
 Washer, Flat, 0.50 Ss, 3-13 , 3-23  
 Washer, Flat, 0.50 Std, 2-23 , 2-27 , 3-9 ,  
 3-13 , 3-17 , 3-21  
 Washer, Flat, 0.50, Sae, 3-37  
 Washer, Flat, 0.62 Sae, 2-60 , 2-64 , 2-69  
 , 2-73 , 2-111 , 3-9  
 Washer, Flat, 0.81b 2.00d .15, Ss, 3-57  
 Washer, Flat, 1.00 Sae, 3-9 , 3-21  
 Washer, Flat, 1.12 Sae, 2-111 , 3-9  
 Washer, Flat, 1.50b 3.00d .18, 2-7  
 Washer, Flat, Belleville, M10, 3-37  
 Washer, Flat, Belleville, M12, 2-27  
 Washer, Flat, Belleville, M6, 2-5 , 2-7  
 Washer, Flat, Belleville, M8, 2-28 , 2-30  
 Washer, Flat, M08 Fender, 2-9 , 2-11 ,  
 2-143  
 Washer, Flat, M10, Fender [Din9021],  
 2-51 , 2-53  
 Washer, Flat, M10, Fender, 2-143  
 Washer, Flat, M10, Fendr, 3-37  
 Washer, Flat, M16 X 30, Hard [Din125],  
 2-133  
 Washer, Flat, M16, Fender [Din9021],  
 2-111 , 3-9  
 Washer, Flat, M8 Fender, 2-145  
 Washer, Flat, 3-3  
 Washer, Flt, .25 Sae, 2-37  
 Washer, Flt, #10, 2-97  
 Washer, Flt, 3-71  
 Washer, Lock, Int, .25, 2-37  
 Washer, Lock, Int, .38, 3-3  
 Washer, Lock, Int, #08, 3-47  
 Washer, Lock, Int-Ext, .38, 2-99  
 Washer, Special, 2-5 , 2-7 , 2-23 , 2-27  
 Washer, Thrust 32.1x50.8x3.2, 2-21  
 Washer, Thrust, .18mm [Oversized], 5-35 ,  
 6-33 , 7-27  
 Washer, Thrust, Lower, Std, 5-35 , 6-33 ,  
 7-27  
 Washer, Thrust, Upper, Std, 5-35 , 6-33 ,  
 7-27  
 Washer, Thrust, 5-3 , 5-15 , 6-3 , 6-15 ,  
 7-3  
 Washer, 2-5 , 2-13 , 2-15 , 2-17 , 3-3 ,  
 4-11 , 4-13 , 4-15 , 4-21 , 4-23 ,  
 5-13 , 5-15 , 5-27 , 5-29 , 5-43 ,  
 6-13 , 6-15 , 6-25 , 6-27 , 6-41 ,  
 6-43 , 7-9 , 7-33  
 Wheel, Steering, 2-109  
 Wheel, Traction, 2-2 , 2-63  
 Wheel, 2-13 , 2-15  
 Wire Assy, 02ga 48.0l Blk .41h/.41h, 2-55  
 Wire Assy, 02ga 48.0l Red, 2-55  
 Wire Assy, 36.0 Lg, 4 Ga, Blk, 2-55  
 Wire, Ground, 2-30  
 Wire, 2-55  
 Wldt, Accelerator Pe, 2-101  
 Wrap, Conveyor, Upper, 2-2 , 2-57  
 Wrench, Hydrant, 3-56 , 3-57

## Y

Yoke, 5-25 , 6-23 , 7-17



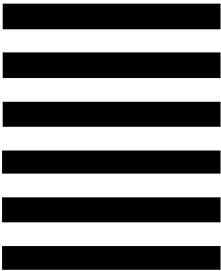




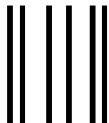
**TENNANT COMPANY**  
 Technical Publications #15  
 701 North Lilac Drive  
 P.O. Box 1452  
 Minneapolis, MN 55440-9947

POSTAGE WILL BE PAID BY ADDRESSEE

**BUSINESS REPLY MAIL**  
 FIRST CLASS MAIL PERMIT NO. 94 MINNEAPOLIS, MN

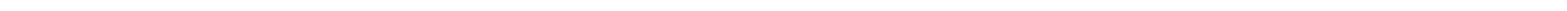


NO POSTAGE  
 NECESSARY  
 IF MAILED  
 IN THE  
 UNITED STATES



Fold along dotted lines

Tape here



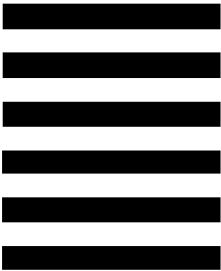




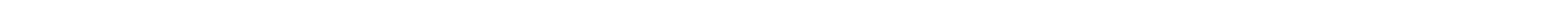
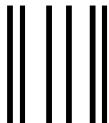
**TENNANT COMPANY**  
 Technical Publications #15  
 701 North Lilac Drive  
 P.O. Box 1452  
 Minneapolis, MN 55440-9947

POSTAGE WILL BE PAID BY ADDRESSEE

**BUSINESS REPLY MAIL**  
 FIRST CLASS MAIL PERMIT NO. 94 MINNEAPOLIS, MN



NO POSTAGE  
 NECESSARY  
 IF MAILED  
 IN THE  
 UNITED STATES



Fold along dotted lines

Tape here

